



US00D609798S

(12) **United States Design Patent**  
**Matejczuk**

(10) **Patent No.:** **US D609,798 S**

(45) **Date of Patent:** **\*\* Feb. 9, 2010**

(54) **CHIMNEY DRAFT REGULATOR**

(76) Inventor: **Jozef Matejczuk**, ul. Lukasza  
Gornickiego 8, Tykocin (PL) 16-080

(\*\*) Term: **14 Years**

(21) Appl. No.: **29/340,651**

(22) Filed: **Jul. 22, 2009**

(30) **Foreign Application Priority Data**

Mar. 24, 2009 (PL) ..... W-118108  
Mar. 27, 2009 (EM) ..... 001113500

(51) **LOC (9) Cl.** ..... **23-04**

(52) **U.S. Cl.** ..... **D23/374**

(58) **Field of Classification Search** ..... D23/373-376,  
D23/260, 393, 370, 371, 387, 391; 454/33,  
454/1, 3, 364-368, 250-253; 52/198, 199,  
52/302.1, 57

See application file for complete search history.

(56) **References Cited**

**U.S. PATENT DOCUMENTS**

2,922,354 A \* 1/1960 Breidert et al. .... 454/33  
3,049,068 A \* 8/1962 Rousey ..... 454/33  
3,082,677 A \* 3/1963 Pease ..... 454/366  
4,335,648 A \* 6/1982 Mitchell ..... 454/33  
4,461,066 A \* 7/1984 Peterson ..... 454/368

D284,094 S \* 6/1986 Liniger ..... D23/376  
4,638,727 A \* 1/1987 Mitchell ..... 454/33  
5,655,964 A \* 8/1997 Rheault et al. .... 454/368  
D428,484 S \* 7/2000 Zirk ..... D23/393  
D437,043 S \* 1/2001 Wettergren ..... D23/370  
6,190,251 B1 \* 2/2001 Park ..... 454/367  
D570,966 S \* 6/2008 Gilligan ..... D23/260  
D581,032 S \* 11/2008 Parry ..... D23/260

\* cited by examiner

*Primary Examiner*—T. Chase Nelson

*Assistant Examiner*—David G Muller

(74) *Attorney, Agent, or Firm*—Matthias Scholl, PC;  
Matthias Scholl

(57) **CLAIM**

The ornamental design for a chimney draft regulator, as shown and described.

**DESCRIPTION**

FIG. 1 is a perspective view of a chimney draft regulator;

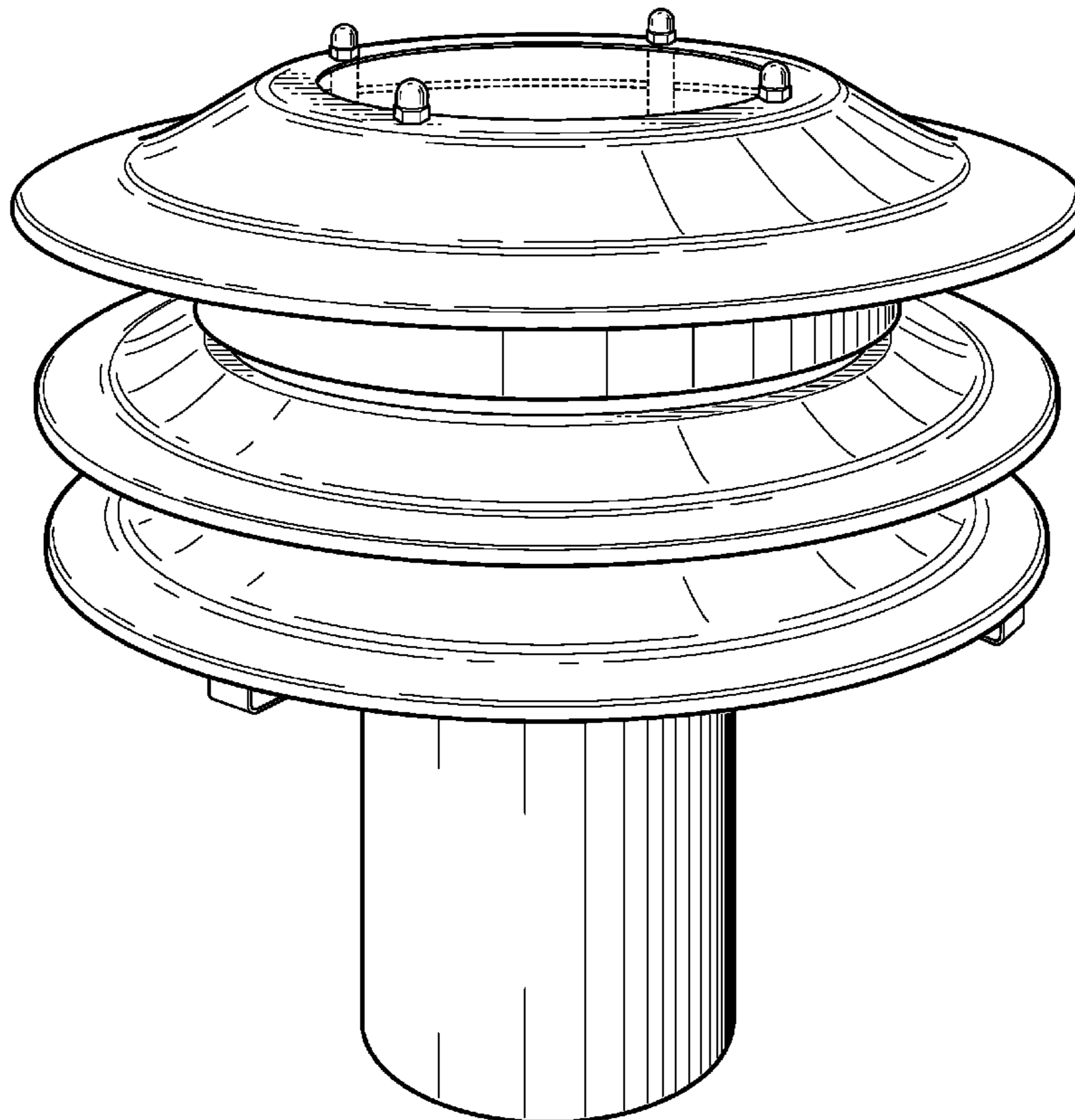
FIG. 2 is a front elevational view thereof;

FIG. 3 is a top plan view thereof; and,

FIG. 4 is a bottom plan view thereof.

The broken line showing of parts of the drawings is included for the purpose of illustrating use and environment and forms no part of the claimed design.

**1 Claim, 4 Drawing Sheets**



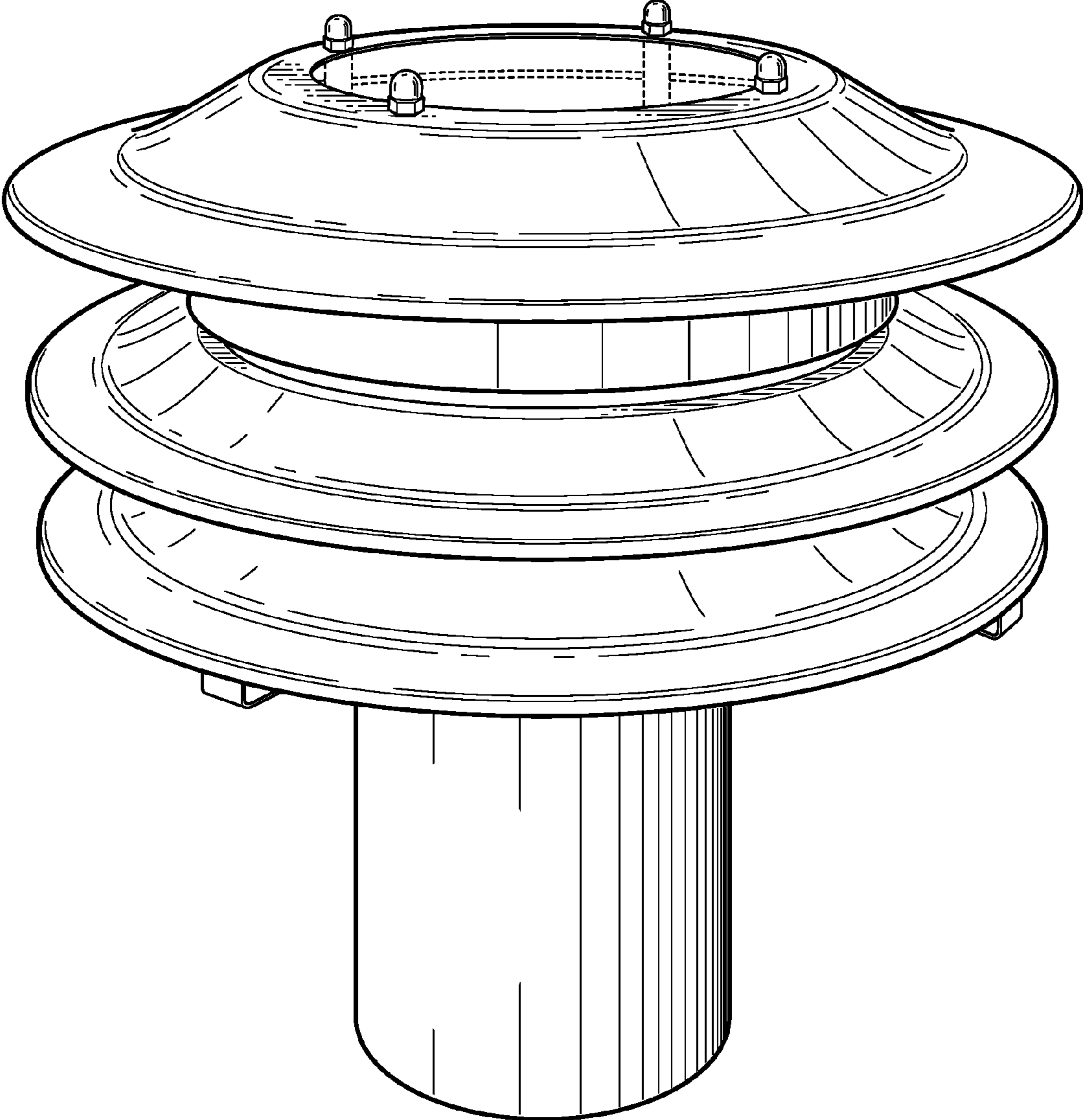


FIG. 1

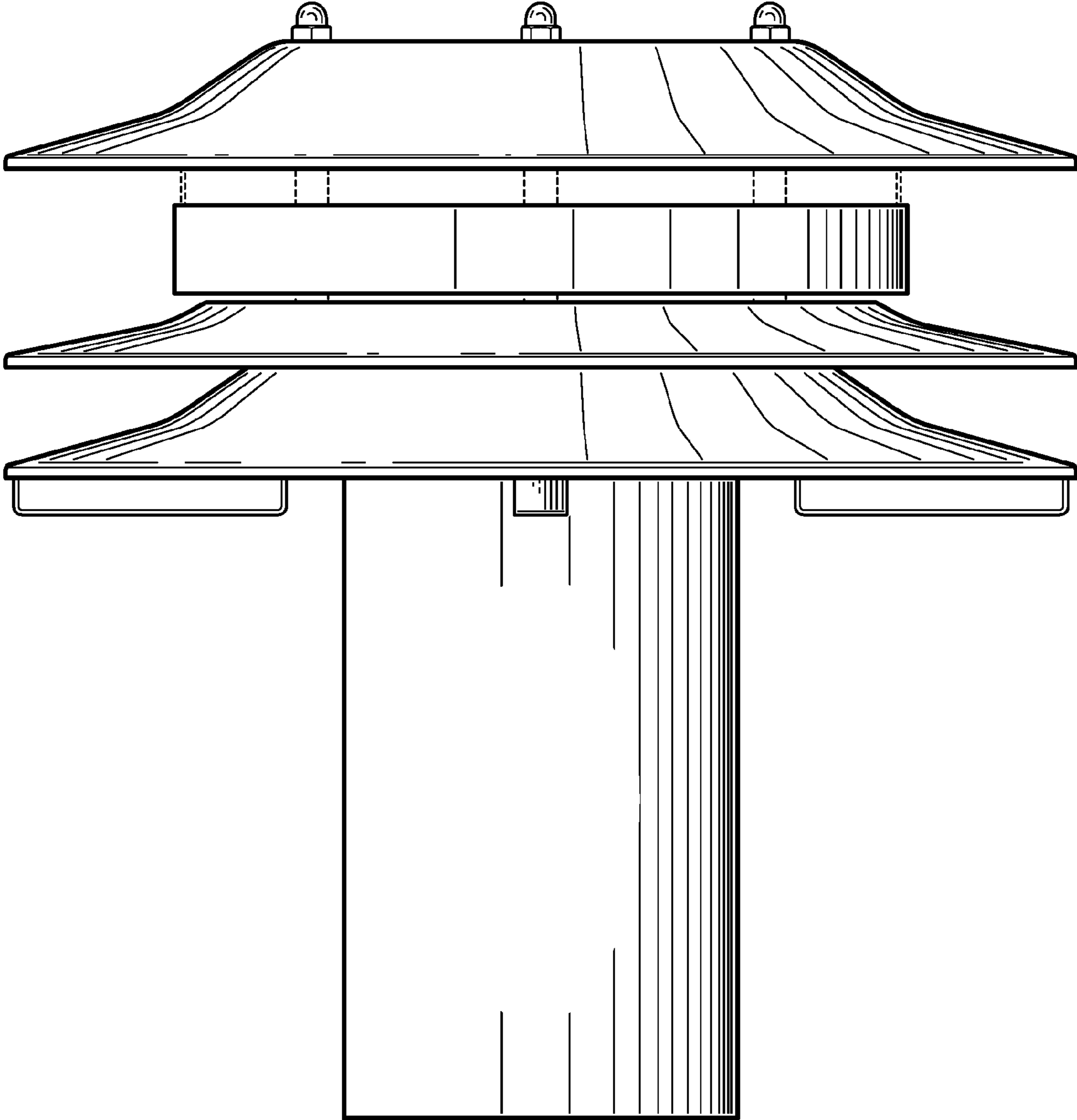
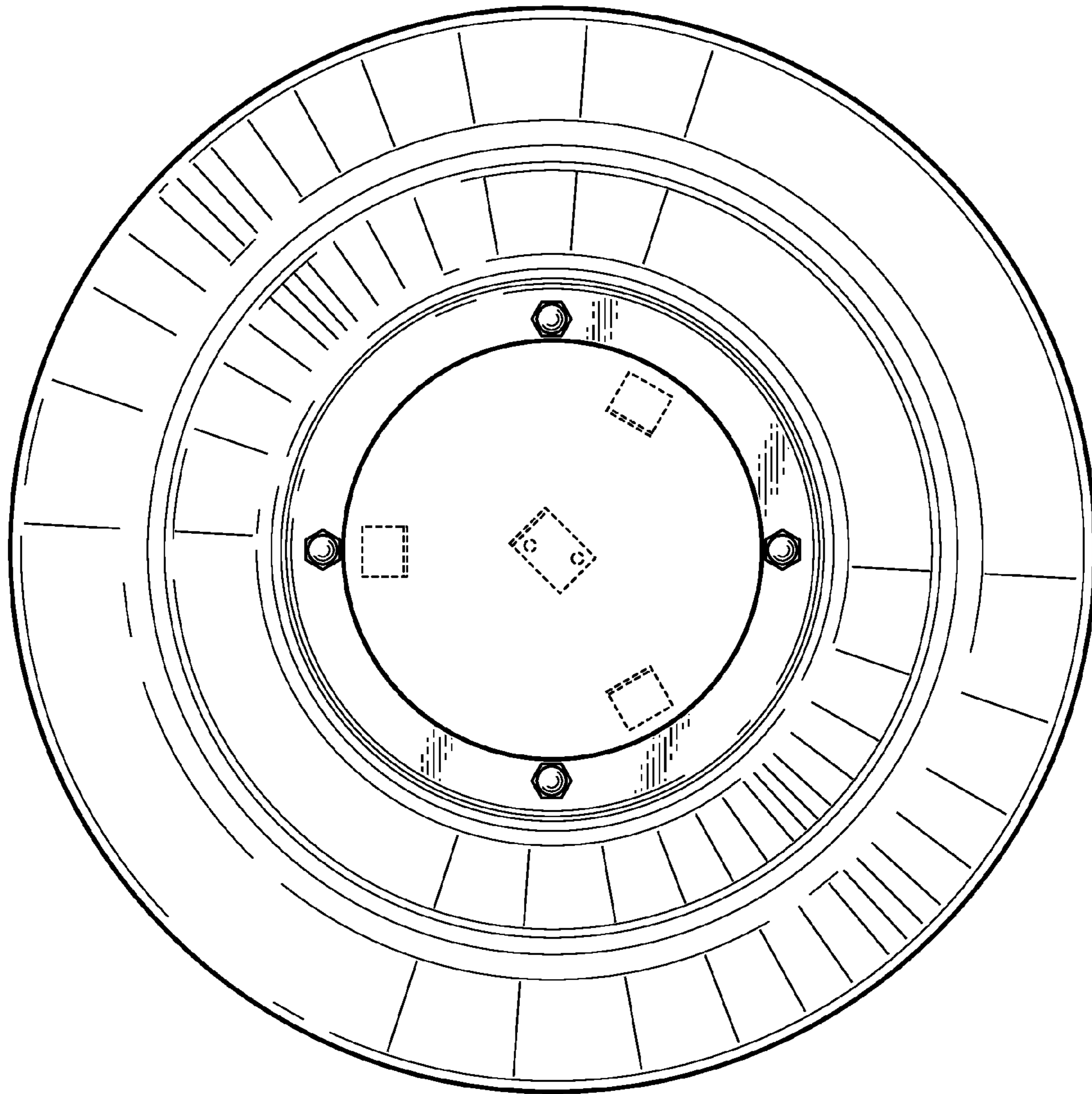


FIG. 2



**FIG. 3**

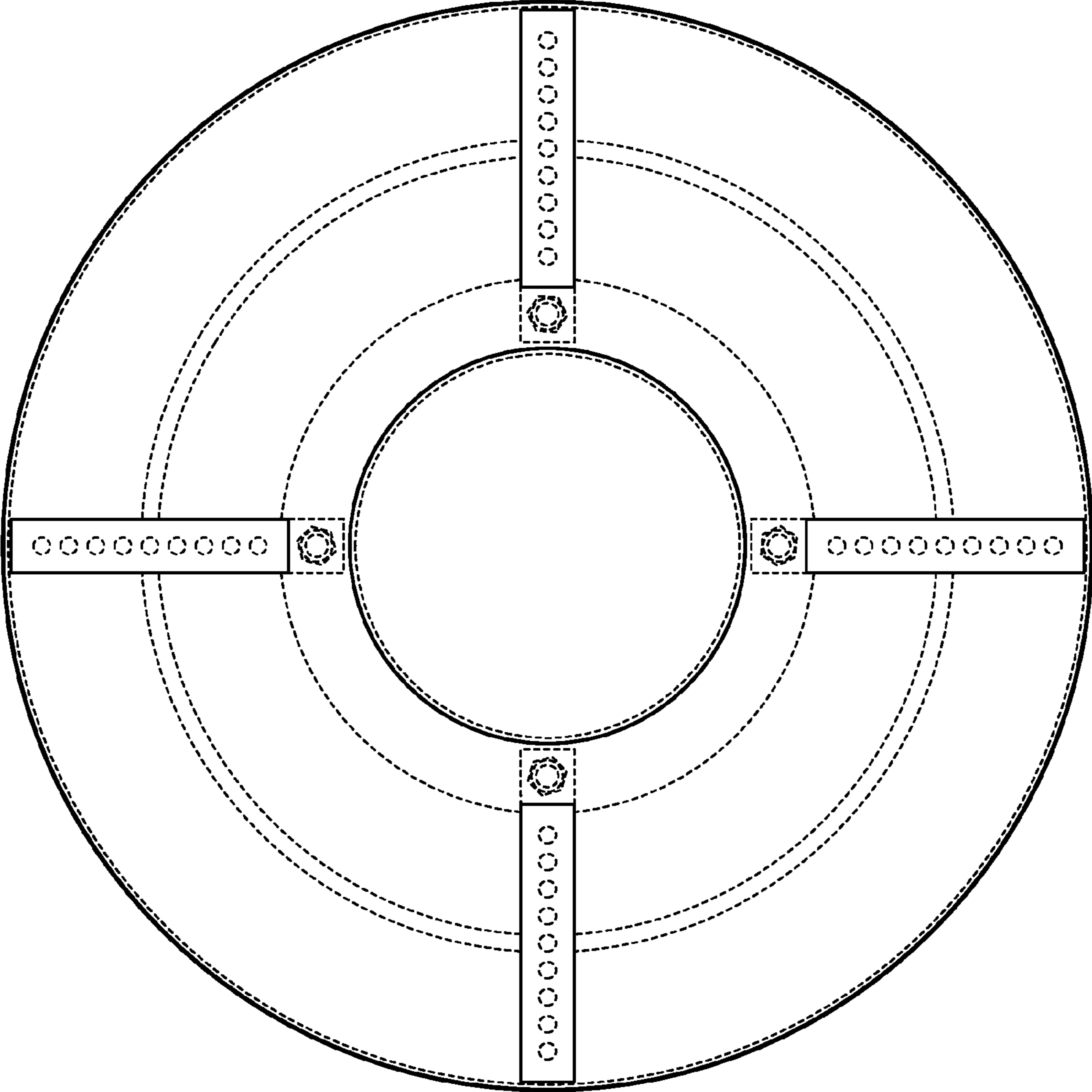


FIG. 4