



US00D609797S

(12) **United States Design Patent**
Leung et al.

(10) **Patent No.:** **US D609,797 S**

(45) **Date of Patent:** **** Feb. 9, 2010**

(54) **FAN**

7,532,472 B2 * 5/2009 Lin et al. 361/697

(76) Inventors: **Ambrose Shing-Yin Leung**, Unit 901,
53-57 Kwai Fung Crescent, Kwai Chung,
NT (HK); **Benson Chung-Pun Leung**,
Unit 901, 53-57 Kwai Fung Crescent,
Kwai Chung, NT (HK)

* cited by examiner

Primary Examiner—Lisa P Lichtenstein
(74) *Attorney, Agent, or Firm*—Bishop & Diehl, Ltd.

(**) **Term:** **14 Years**

(57) **CLAIM**

The ornamental design for a fan, as shown and described.

(21) **Appl. No.:** **29/345,648**

DESCRIPTION

(22) **Filed:** **Oct. 20, 2009**

FIG. 1 is a perspective view of a fan of the claimed invention;

(51) **LOC (9) Cl.** **23-04**

FIG. 2 is a front view of the fan shown in FIG. 1;

(52) **U.S. Cl.** **D23/370**

FIG. 3 is a rear view of the fan shown in FIG. 1;

(58) **Field of Classification Search** D23/370,
D23/379, 385; 361/695, 697; 165/80.3
See application file for complete search history.

FIG. 4 is a left side view of the fan shown in FIG. 1;

FIG. 5 is a right side view of the fan shown in FIG. 1;

FIG. 6 is a top plan view of the fan shown in FIG. 1; and,

FIG. 7 is a bottom plan view of the fan shown in FIG. 1.

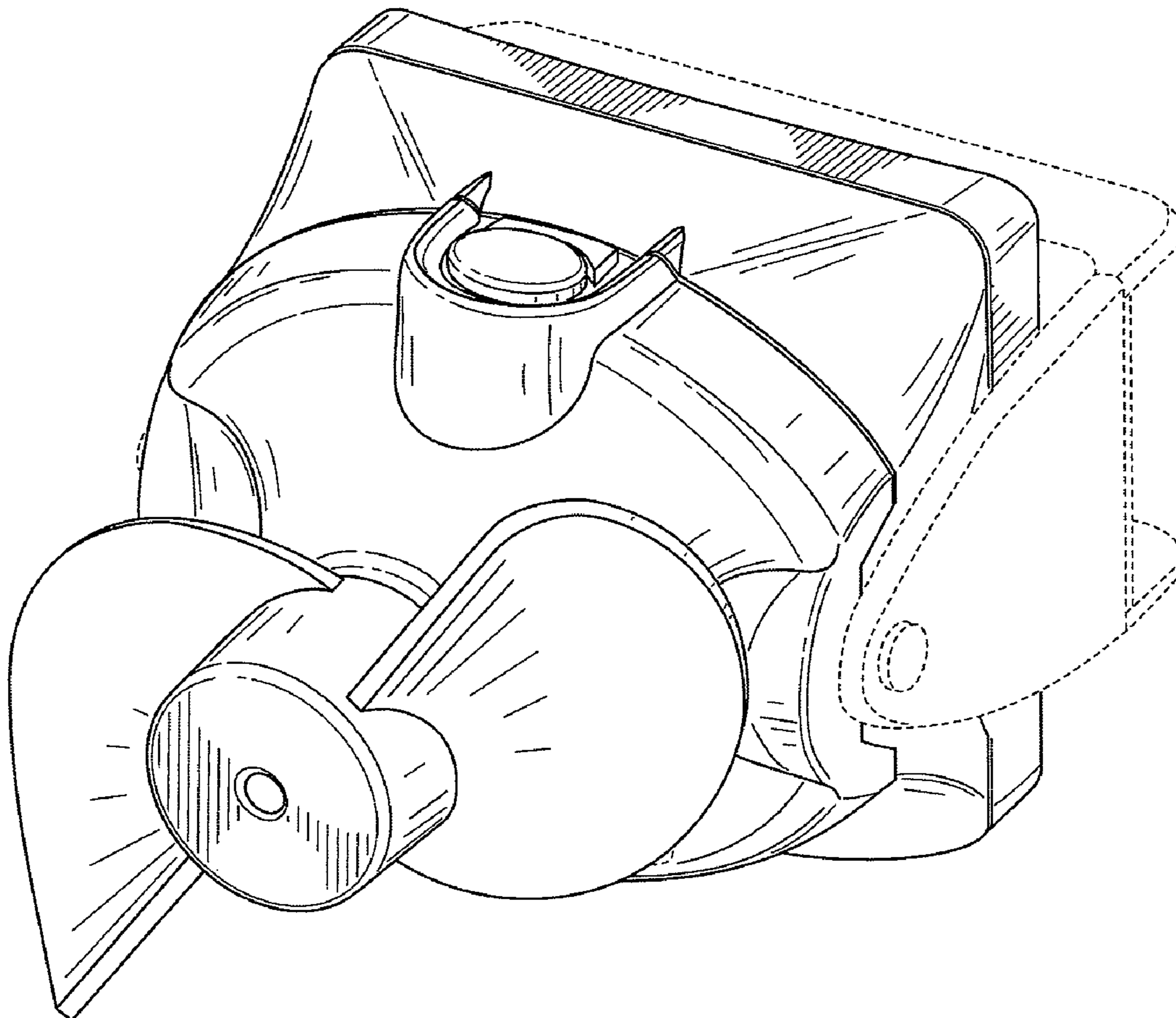
(56) **References Cited**

The broken-line features in the figures are for illustrative purposes only and form no part of the claimed design.

U.S. PATENT DOCUMENTS

D583,088 S 12/2008 Leung et al.
D593,237 S * 5/2009 Chernick et al. D26/37

1 Claim, 5 Drawing Sheets



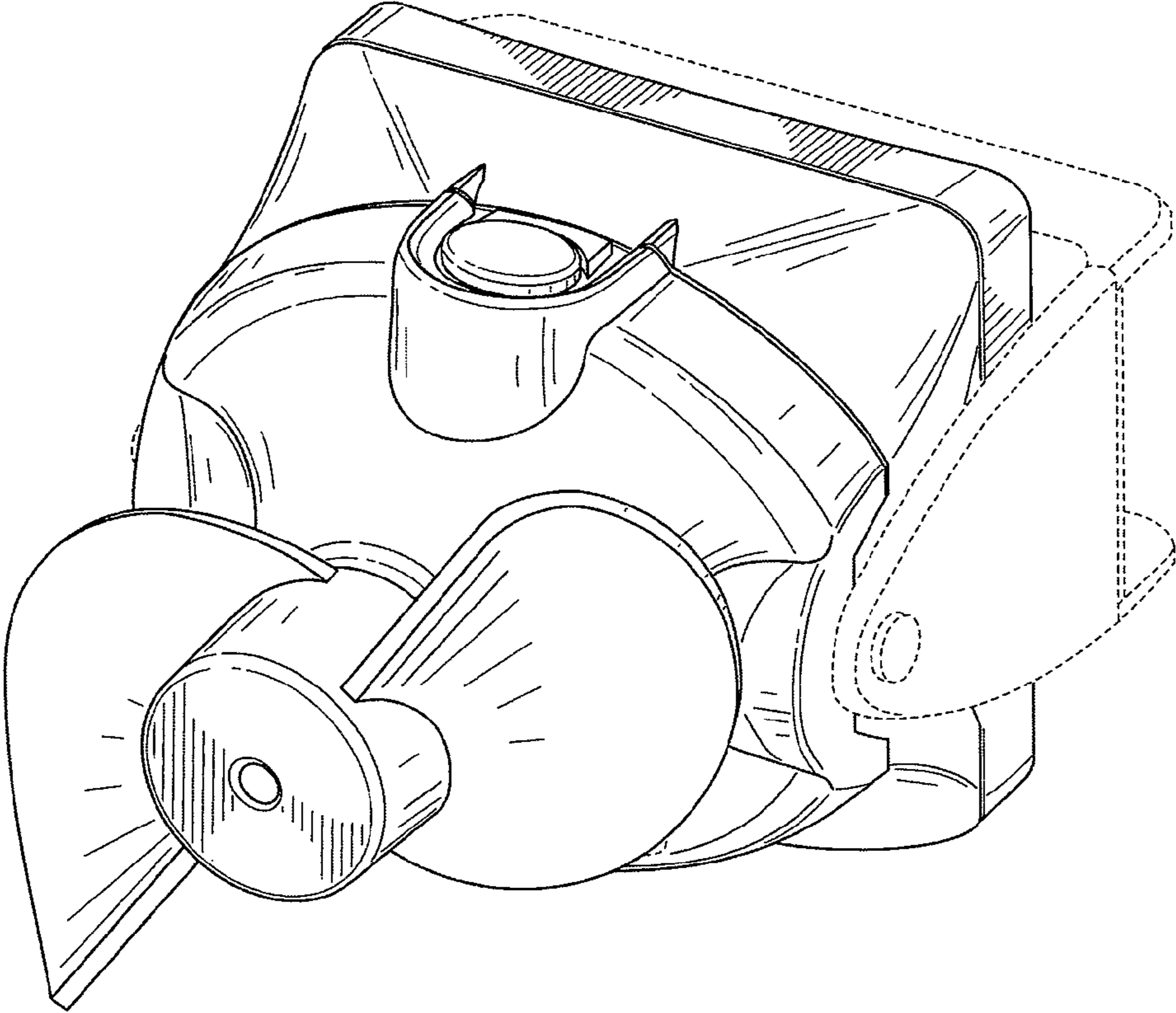


FIG. 1

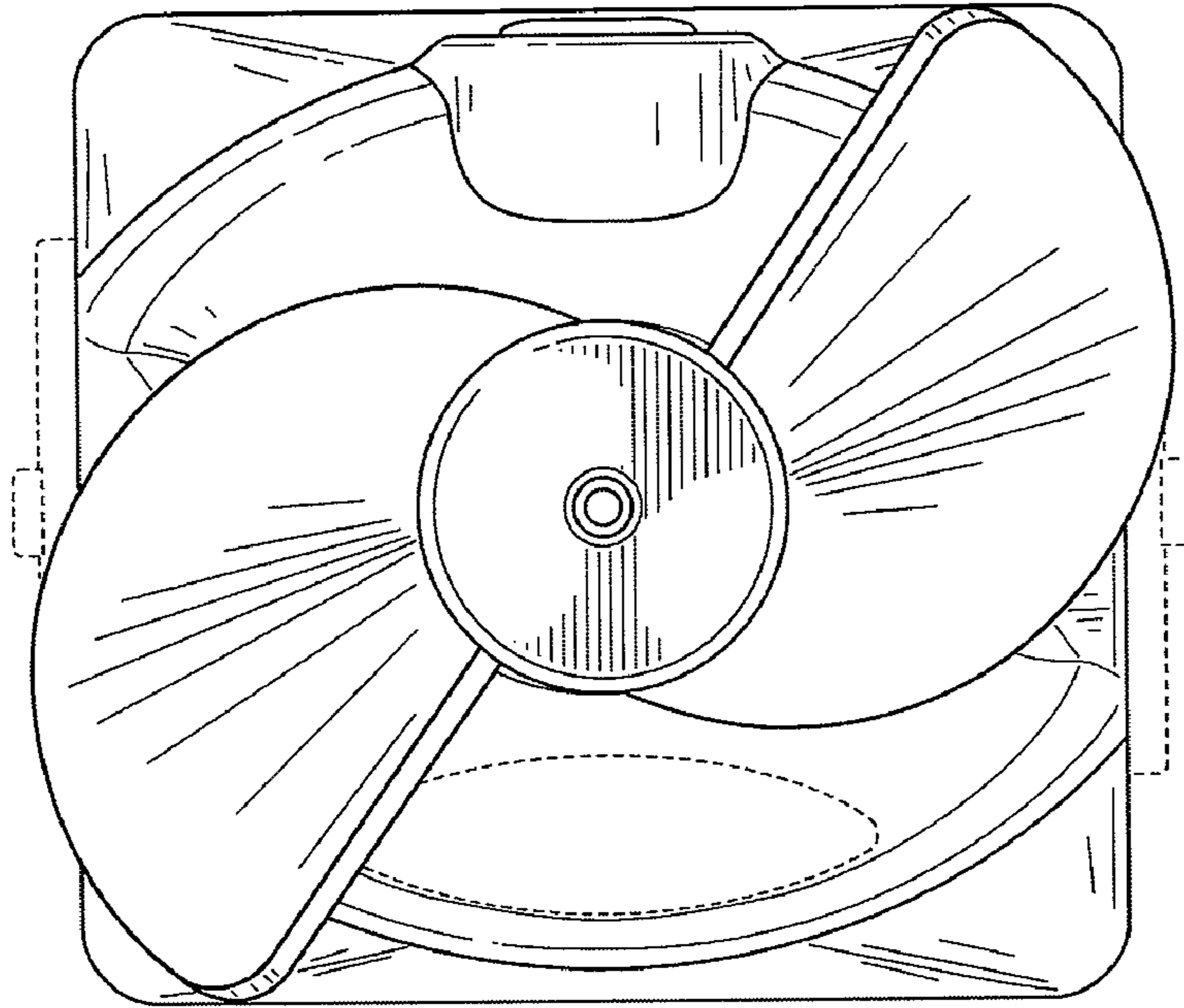


FIG. 2

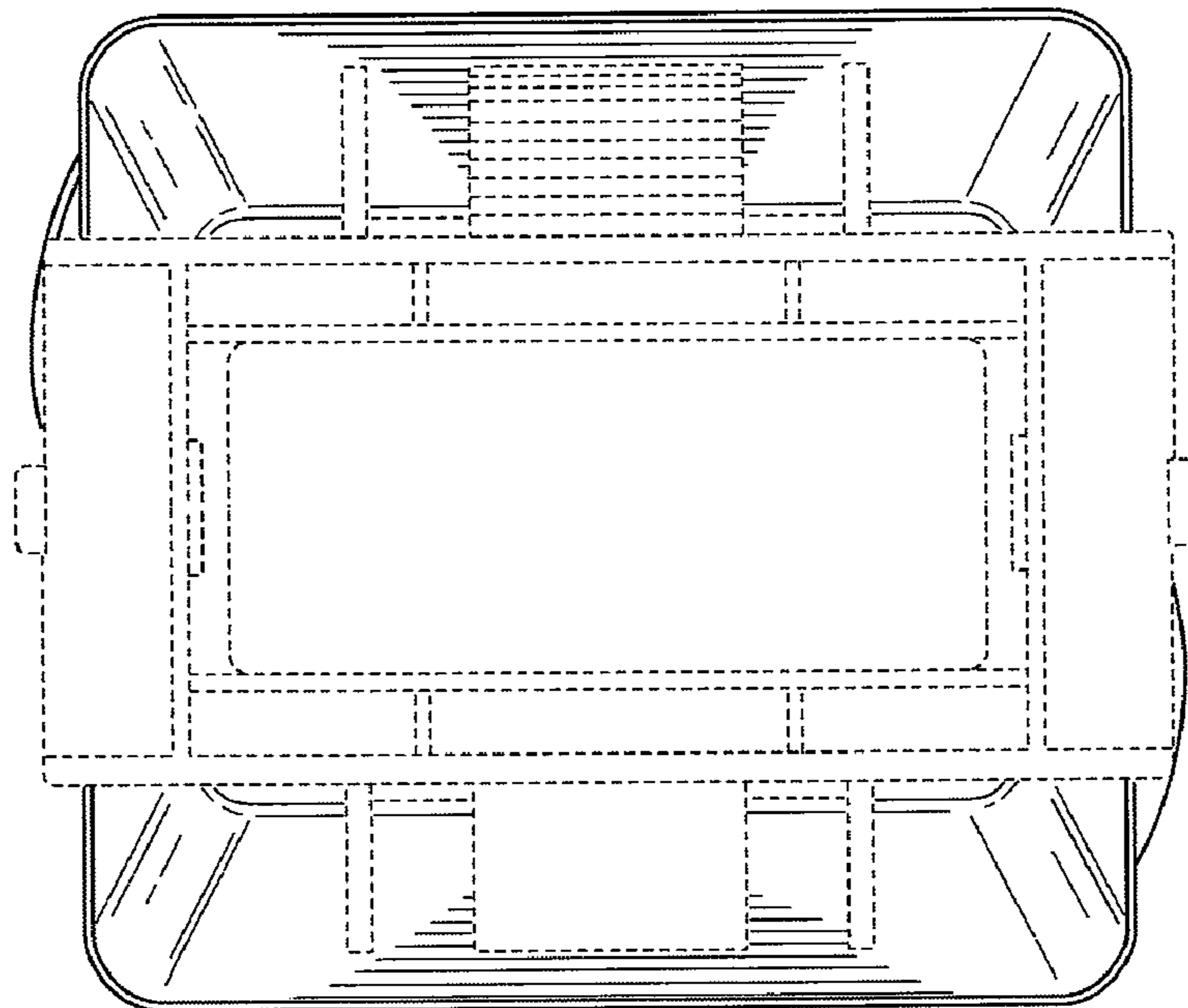


FIG. 3

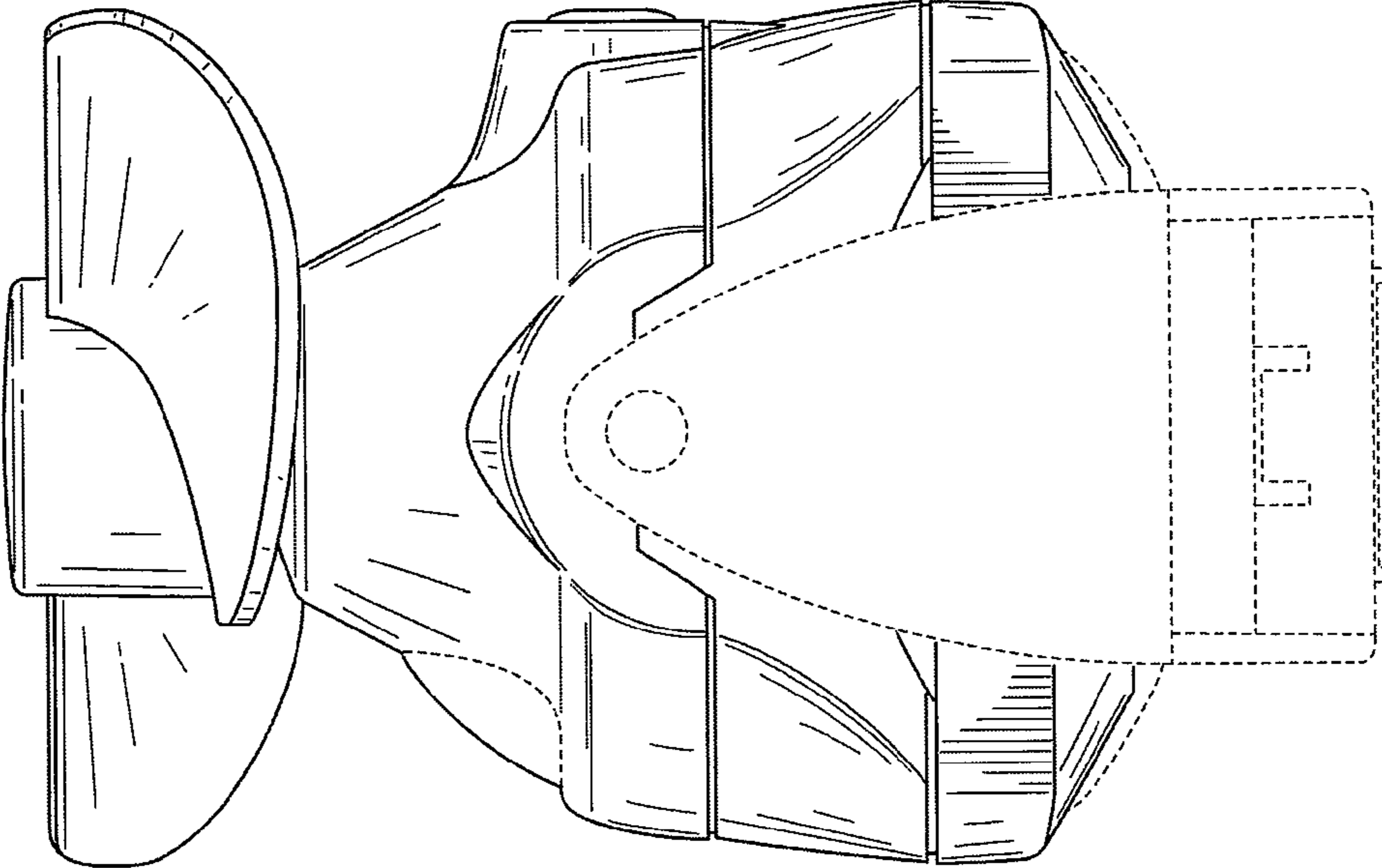


FIG. 4

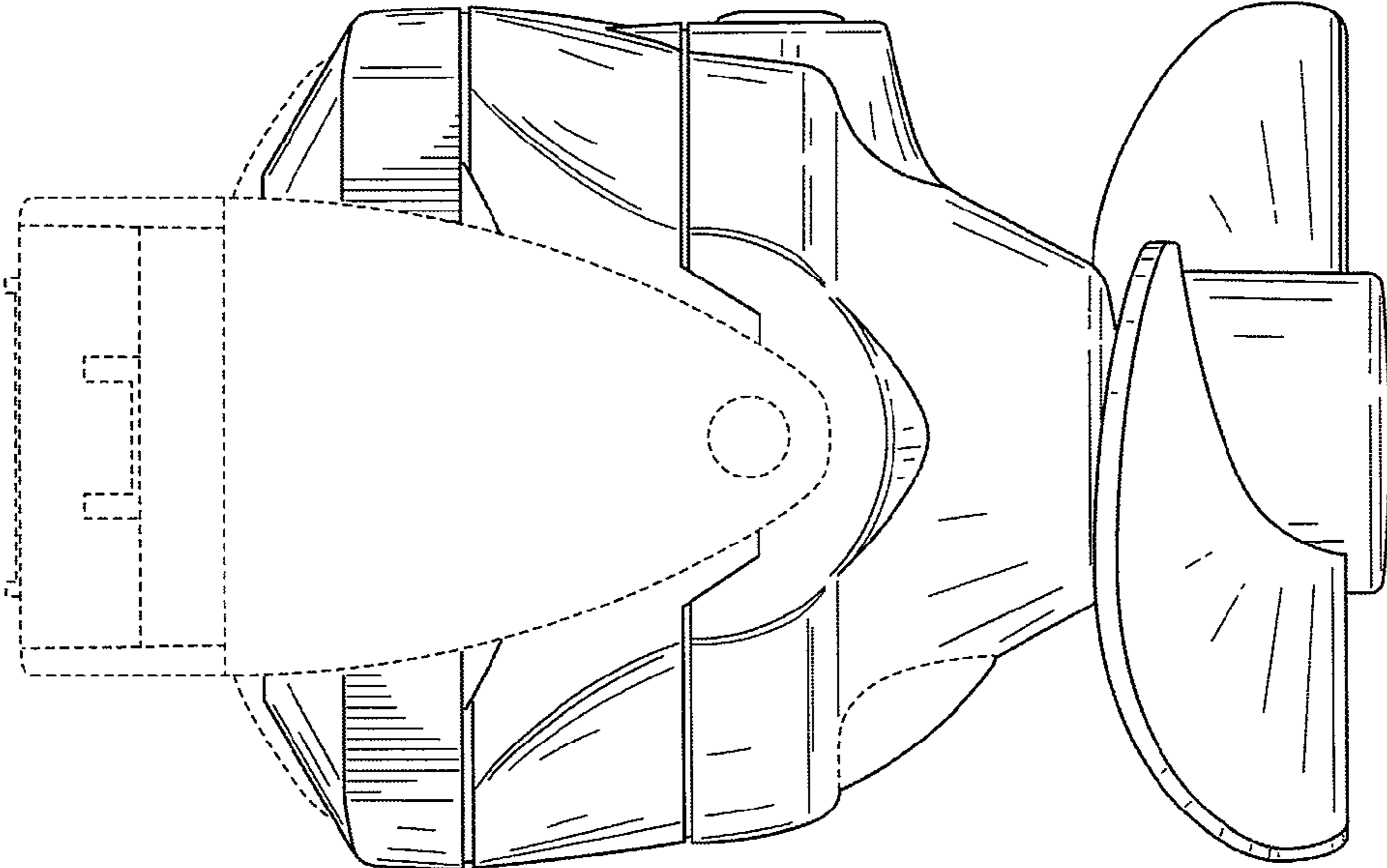


FIG. 5

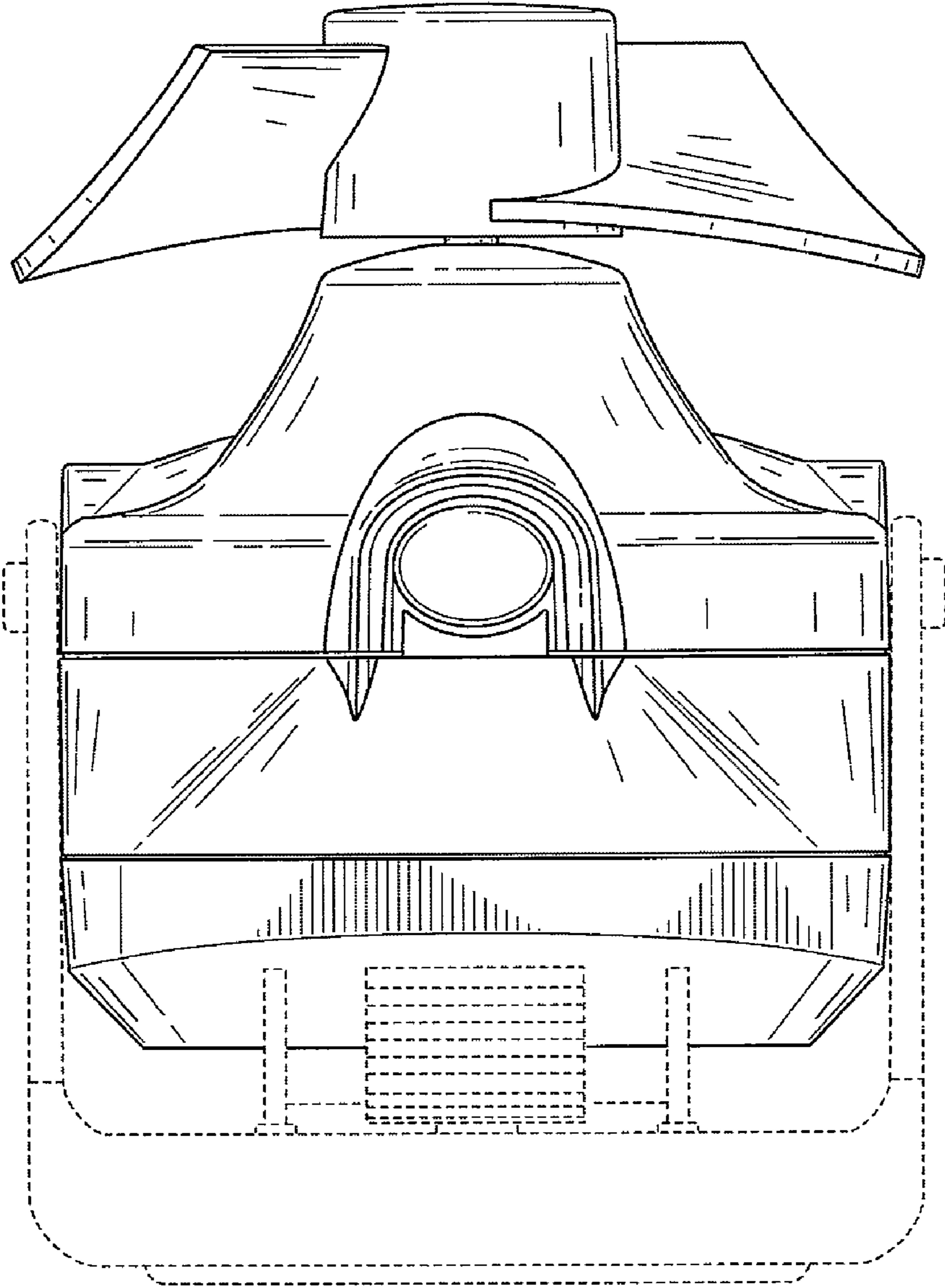


FIG. 6

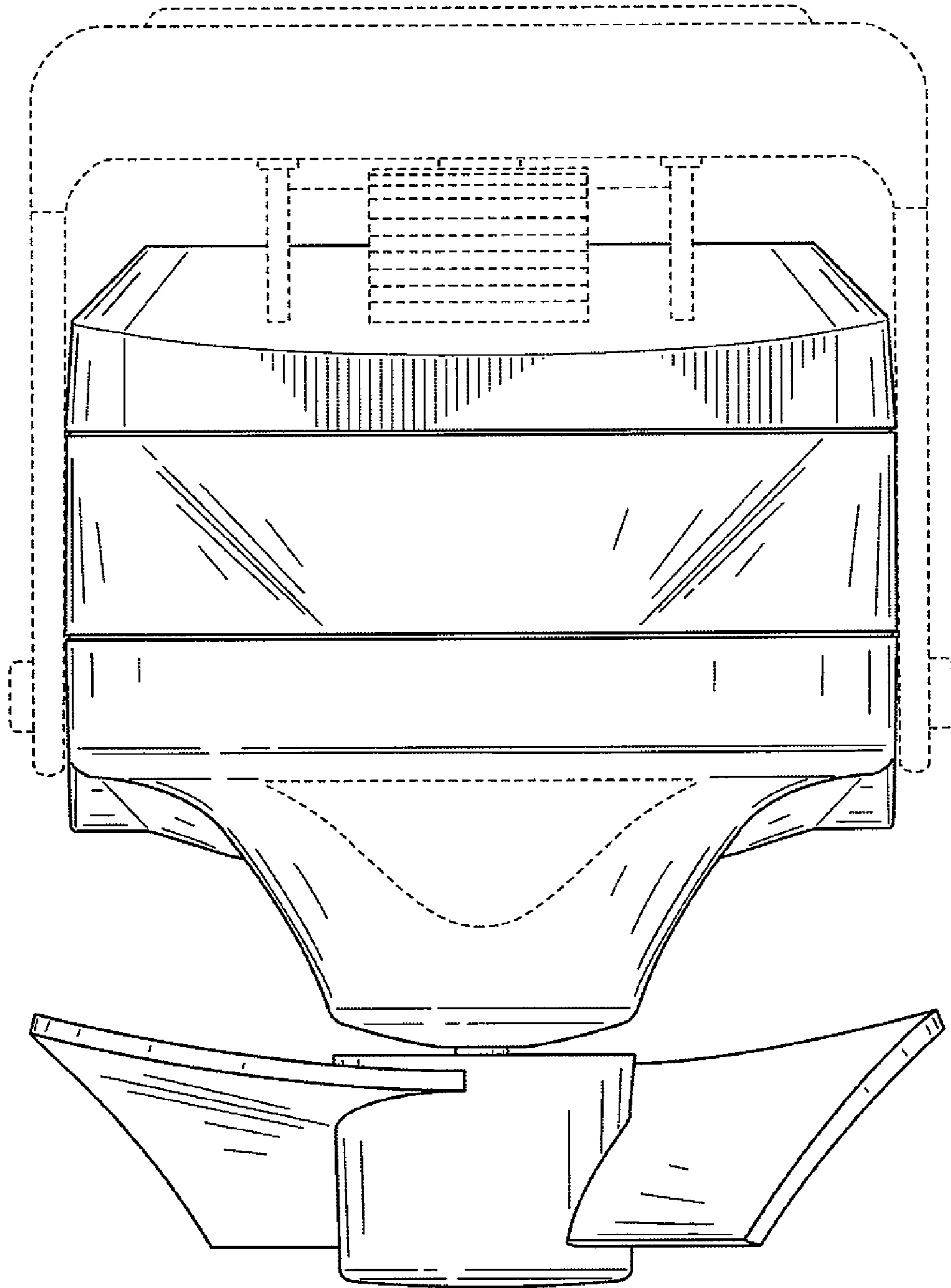


FIG. 7