

US00D609794S

(12) **United States Design Patent**
Cimma

(10) **Patent No.:** **US D609,794 S**

(45) **Date of Patent:** **** Feb. 9, 2010**

(54) **WATER STORAGE TANK**

D255,238 S * 6/1980 Thomas D23/301
D594,785 S * 6/2009 Sasanami et al. D12/110

(76) Inventor: **Andrew Cimma**, 204 Thayer Rd.,
Higganum, CT (US) 06441

* cited by examiner

(**) Term: **14 Years**

Primary Examiner—Robert A Delehanty
(74) *Attorney, Agent, or Firm*—Steven M. McHugh

(21) Appl. No.: **29/308,648**

(57) **CLAIM**

(22) Filed: **Jun. 27, 2008**

I claim the ornamental design for a water storage tank, as shown and described.

(51) **LOC (9) Cl.** **23-01**

(52) **U.S. Cl.** **D23/313**

(58) **Field of Classification Search** D23/273–274,
D23/295–301, 309, 313; 4/663–664, 300,
4/329, 353, 420, 443, 449, 902; D12/110,
D12/218, 178

DESCRIPTION

See application file for complete search history.

FIG. 1 is a front view of a water storage tank, showing my new design;

FIG. 2 is a rear view of the water storage tank in FIG. 1;

FIG. 3 is a right side view of the water storage tank in FIG. 1;

FIG. 4 is a left side view of the water storage tank in FIG. 1; and,

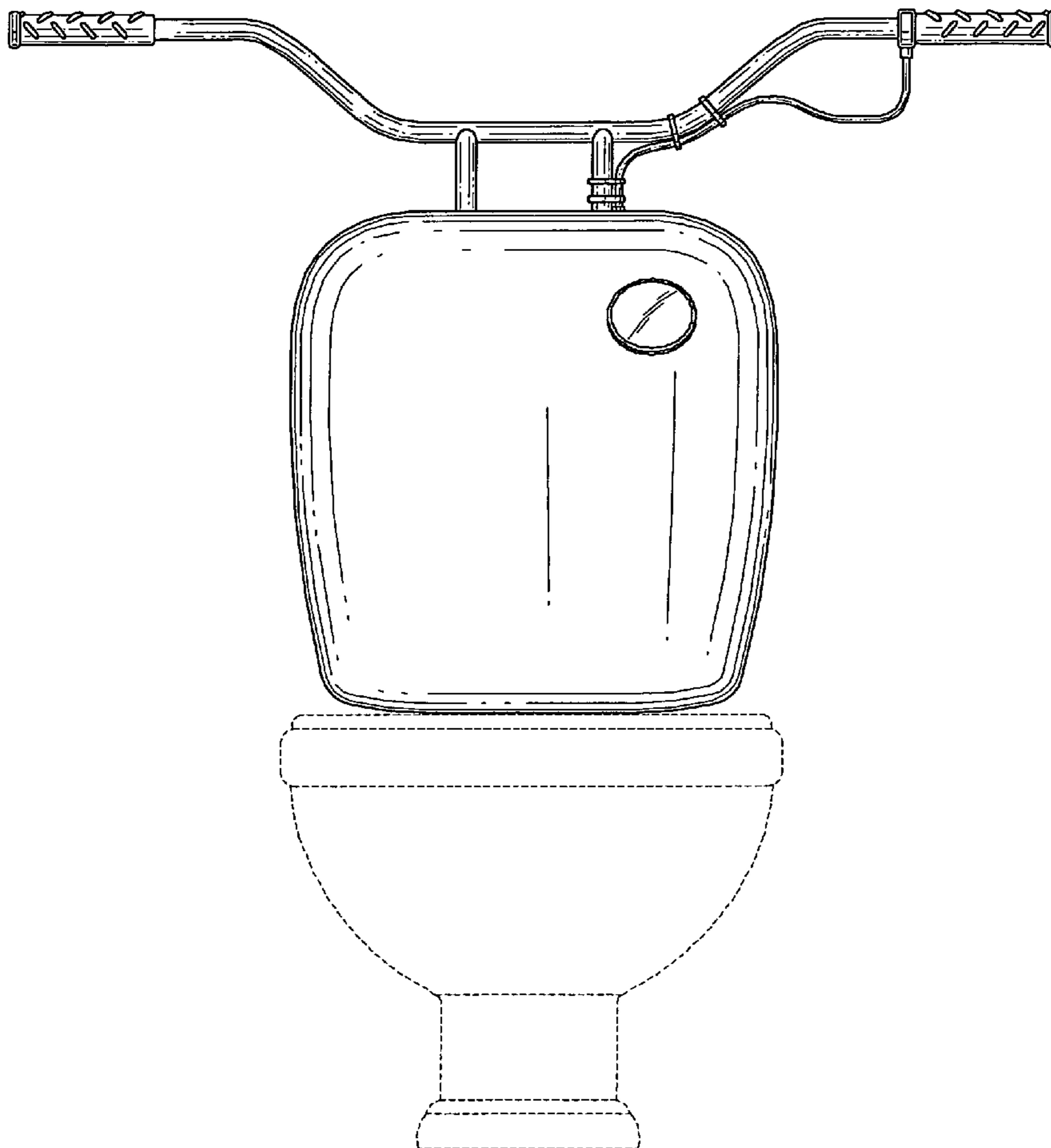
FIG. 5 is a top plan view of the water storage tank in FIG. 1.

(56) **References Cited**

U.S. PATENT DOCUMENTS

D112,908 S * 1/1939 Pawsat et al. D12/218
D224,699 S * 8/1972 Karstadt D12/178
D254,561 S * 3/1980 Alley et al. D21/414

1 Claim, 5 Drawing Sheets



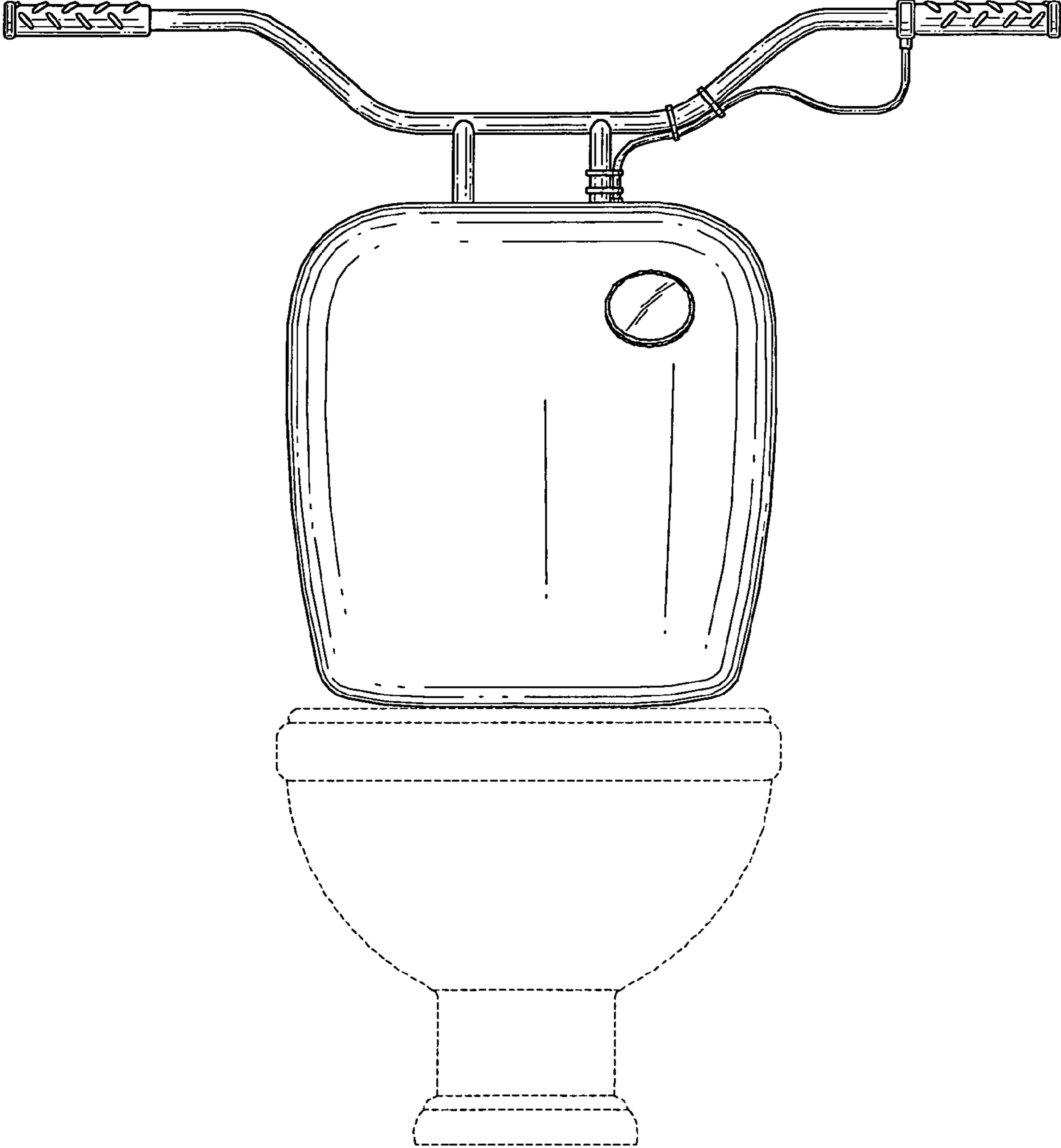


FIG. 1

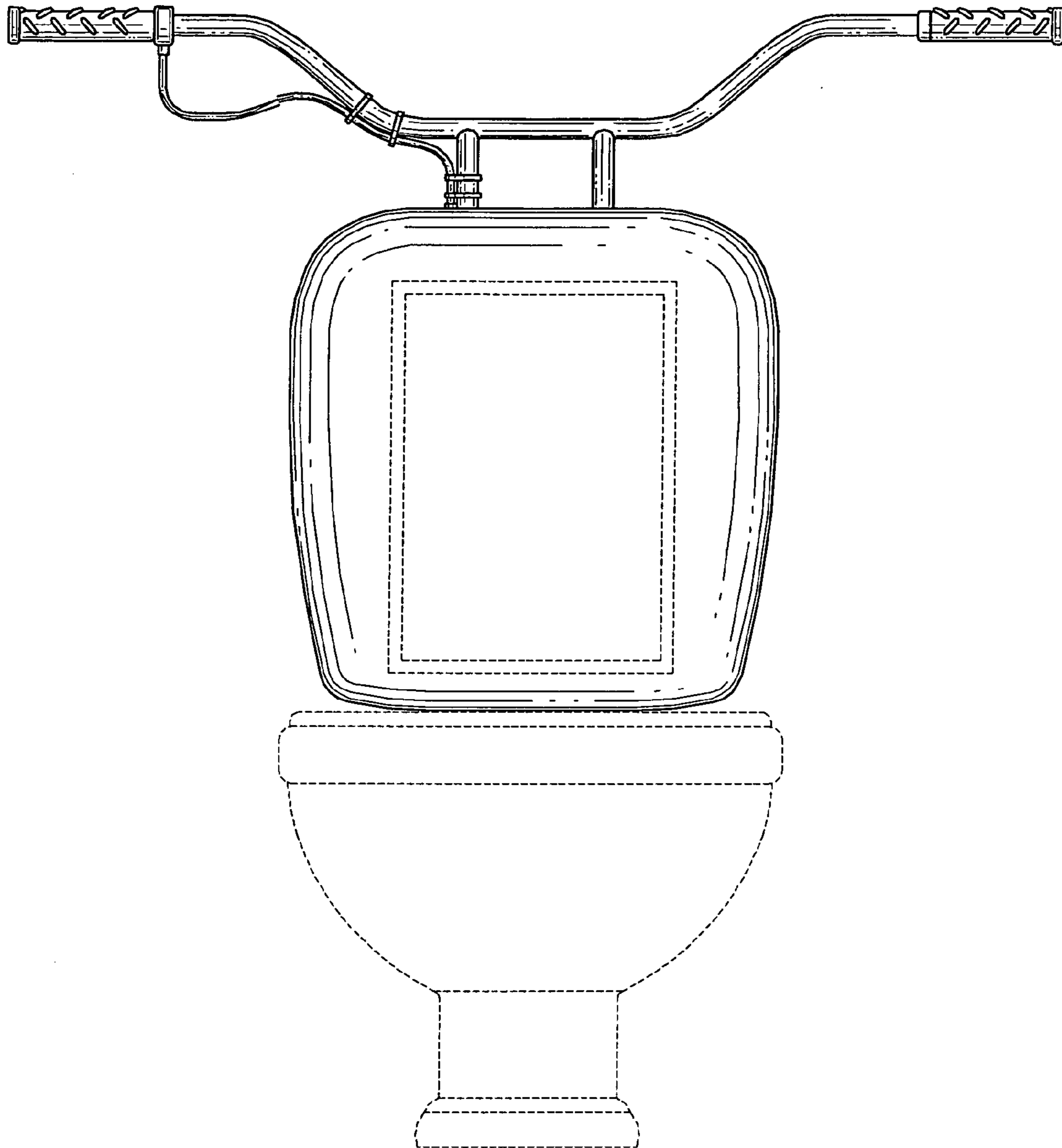


FIG. 2

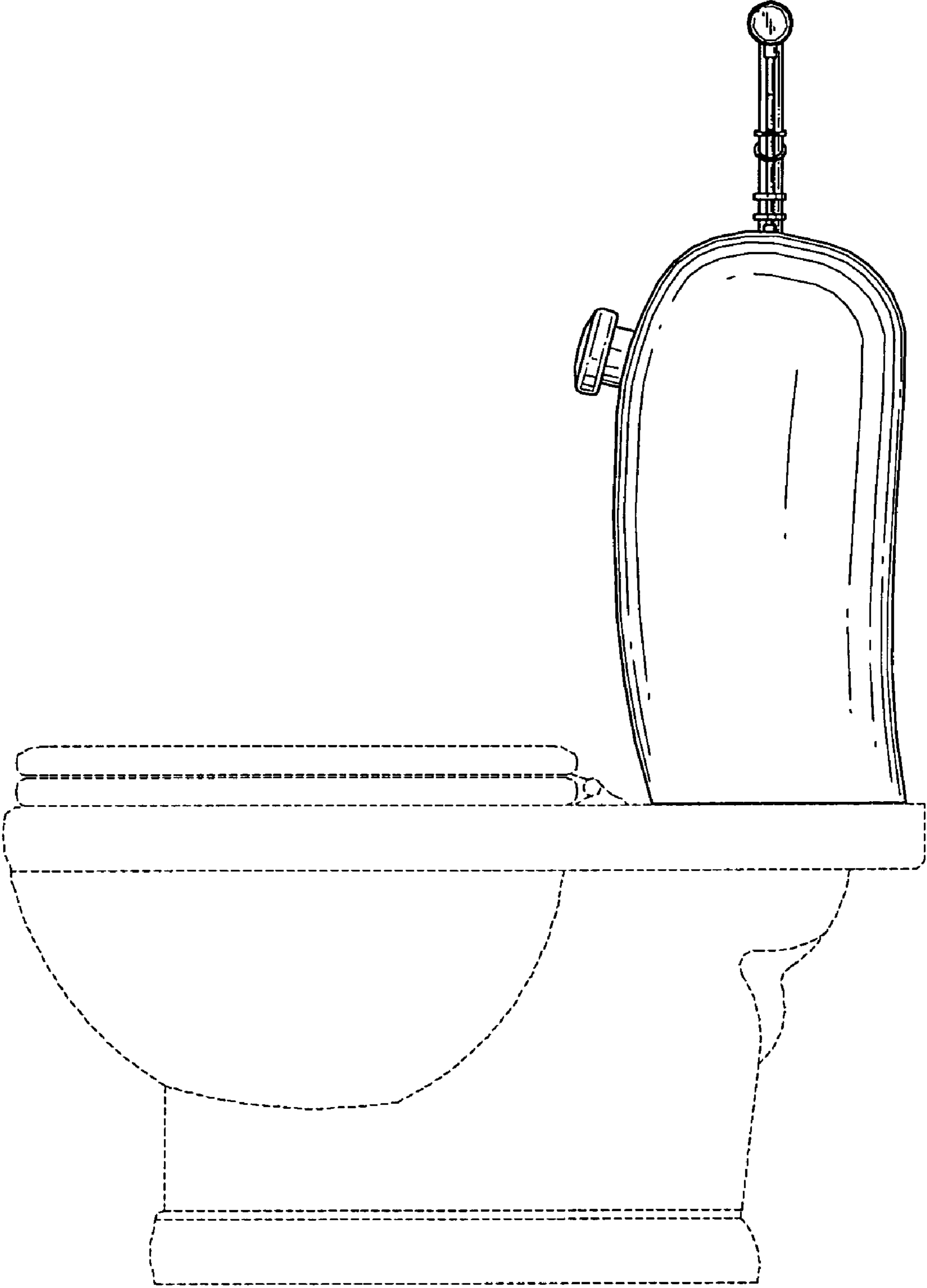


FIG. 3

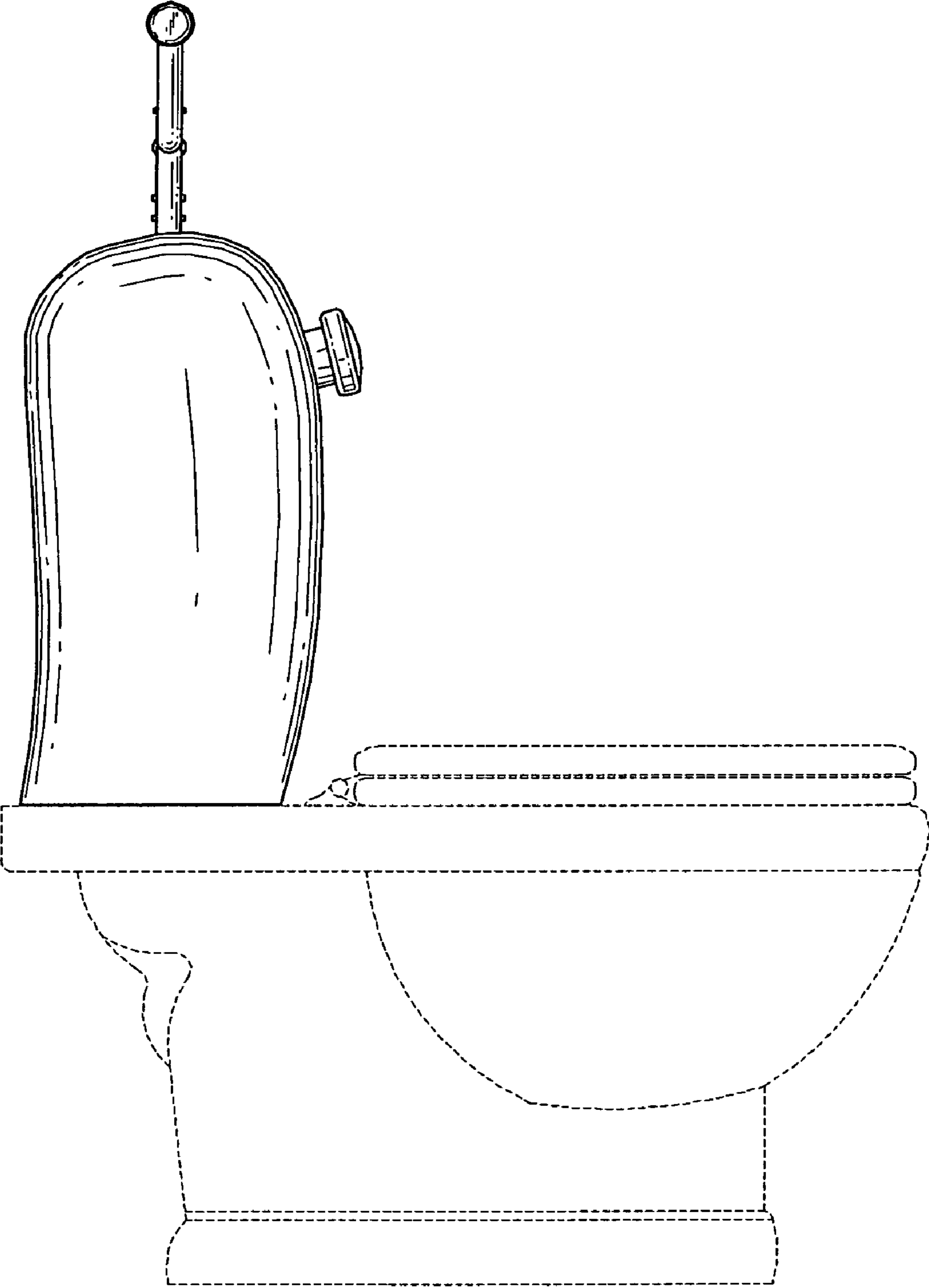


FIG. 4

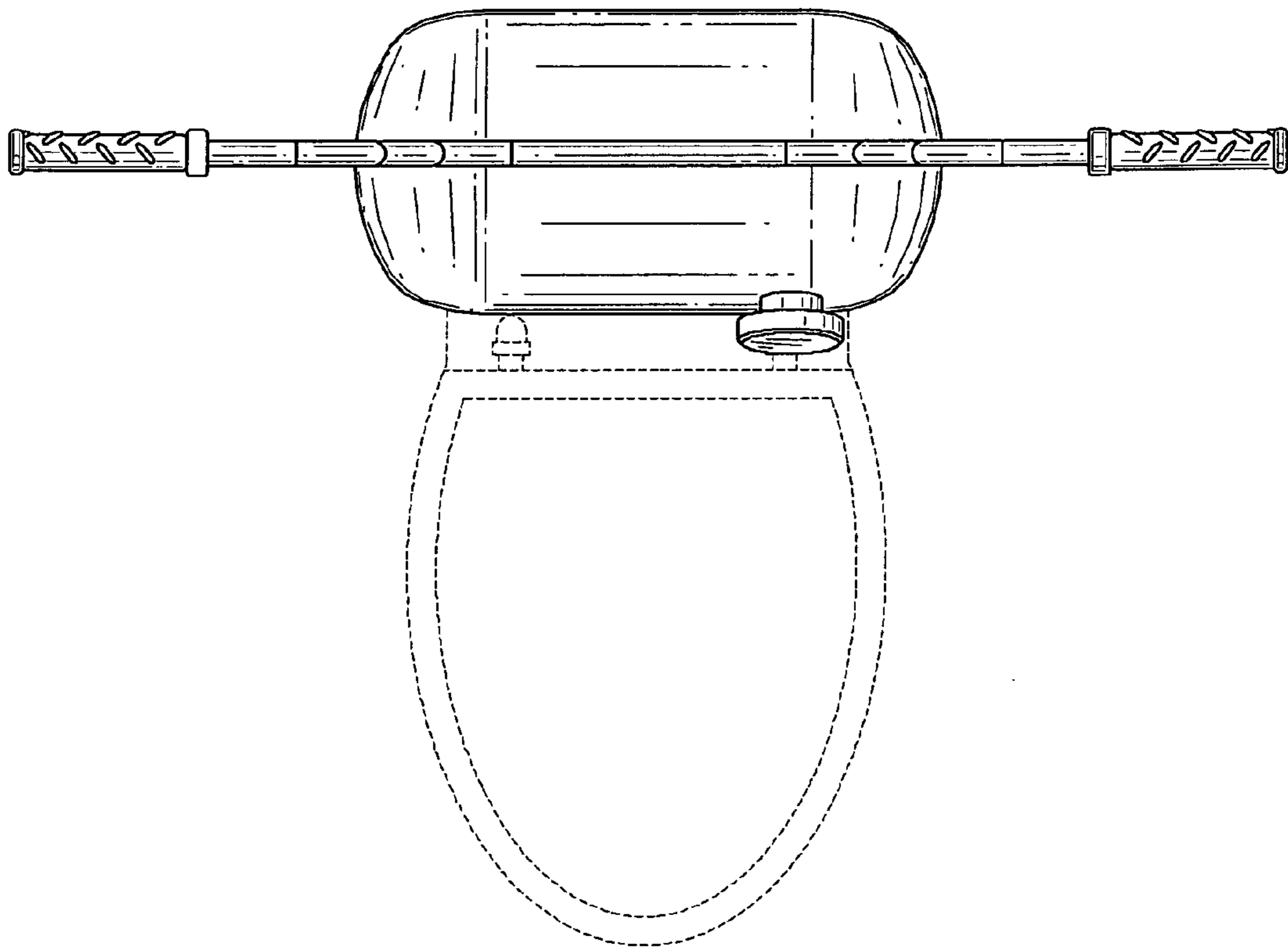


FIG. 5