



US00D609792S

(12) **United States Design Patent**  
**Tani et al.**

(10) **Patent No.:** **US D609,792 S**  
(45) **Date of Patent:** **\*\* Feb. 9, 2010**

(54) **WATER CLOSET**

(75) Inventors: **Minoru Tani**, Kitakyusyu (JP); **Rie Yokoyama**, Kitakyusyu (JP)

(73) Assignee: **ToTo Ltd.**, Kitakyusyu-Shi (JP)

(\*\*) Term: **14 Years**

(21) Appl. No.: **29/328,158**

(22) Filed: **Nov. 19, 2008**

(51) **LOC (9) Cl.** ..... **23-02**

(52) **U.S. Cl.** ..... **D23/300**

(58) **Field of Classification Search** ..... D23/273-274,  
D23/295-301, 309; 4/663-664, 300, 329,  
4/353, 420, 443, 449, 902

See application file for complete search history.

(56) **References Cited**

**U.S. PATENT DOCUMENTS**

- D331,621 S \* 12/1992 Tapolcai ..... D23/274
- D354,341 S \* 1/1995 Kohler et al. .... D23/300
- D483,841 S \* 12/2003 Piano ..... D23/300
- D559,961 S \* 1/2008 Maruhashi et al. .... D23/295
- D581,034 S \* 11/2008 Cho ..... D23/295

**FOREIGN PATENT DOCUMENTS**

EP 000300819-0025 A1 5/2005

\* cited by examiner

*Primary Examiner*—Robert A Delehanty

(74) *Attorney, Agent, or Firm*—Birch, Stewart, Kolasch & Birch, LLP

(57) **CLAIM**

The ornamental design for a water closet, as shown and described.

**DESCRIPTION**

FIG. 1 is a perspective view of the top, front and right side of a water closet showing our new design;

FIG. 2 is a front view thereof;

FIG. 3 is a rear view thereof;

FIG. 4 is a left side view thereof;

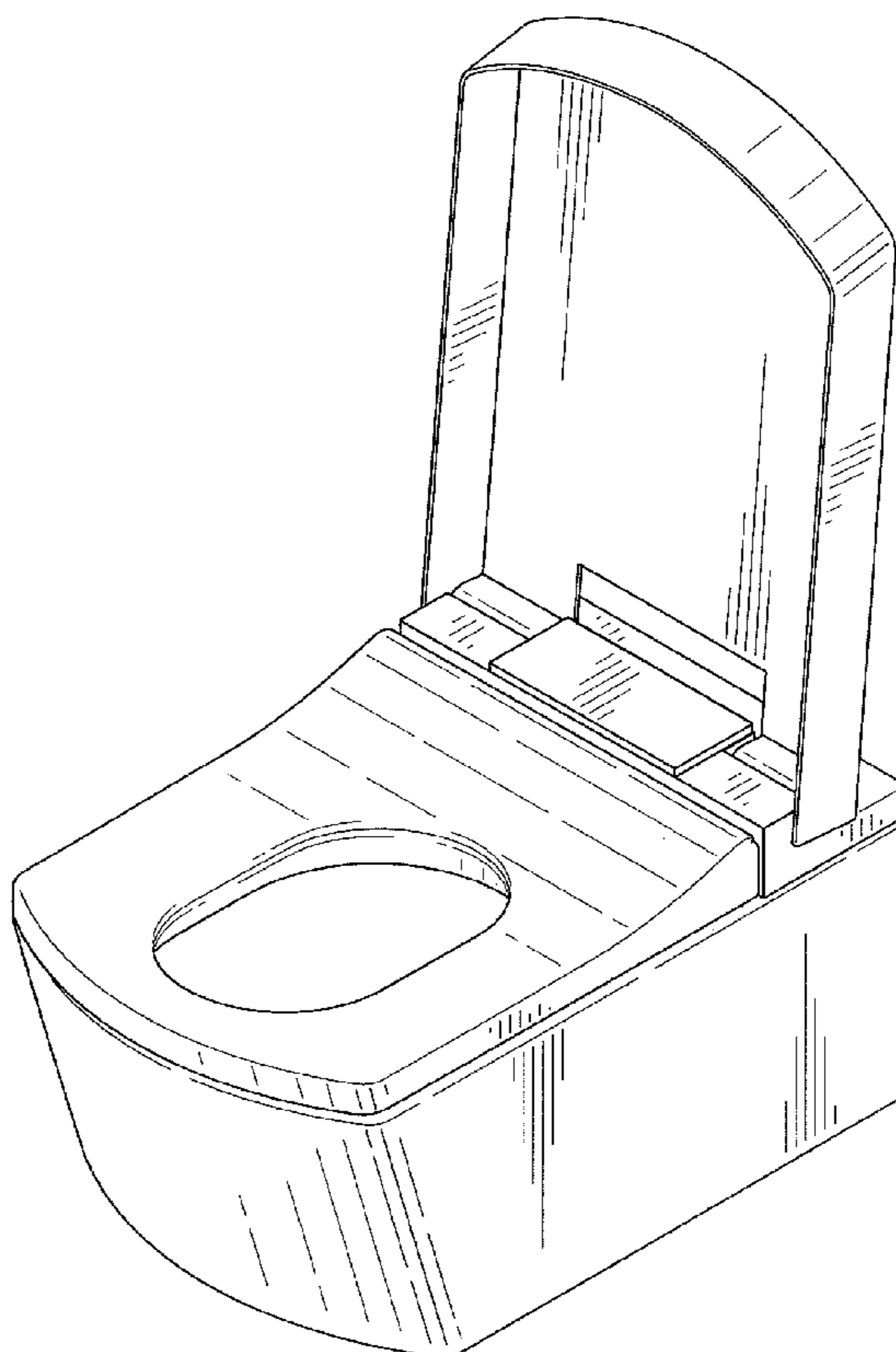
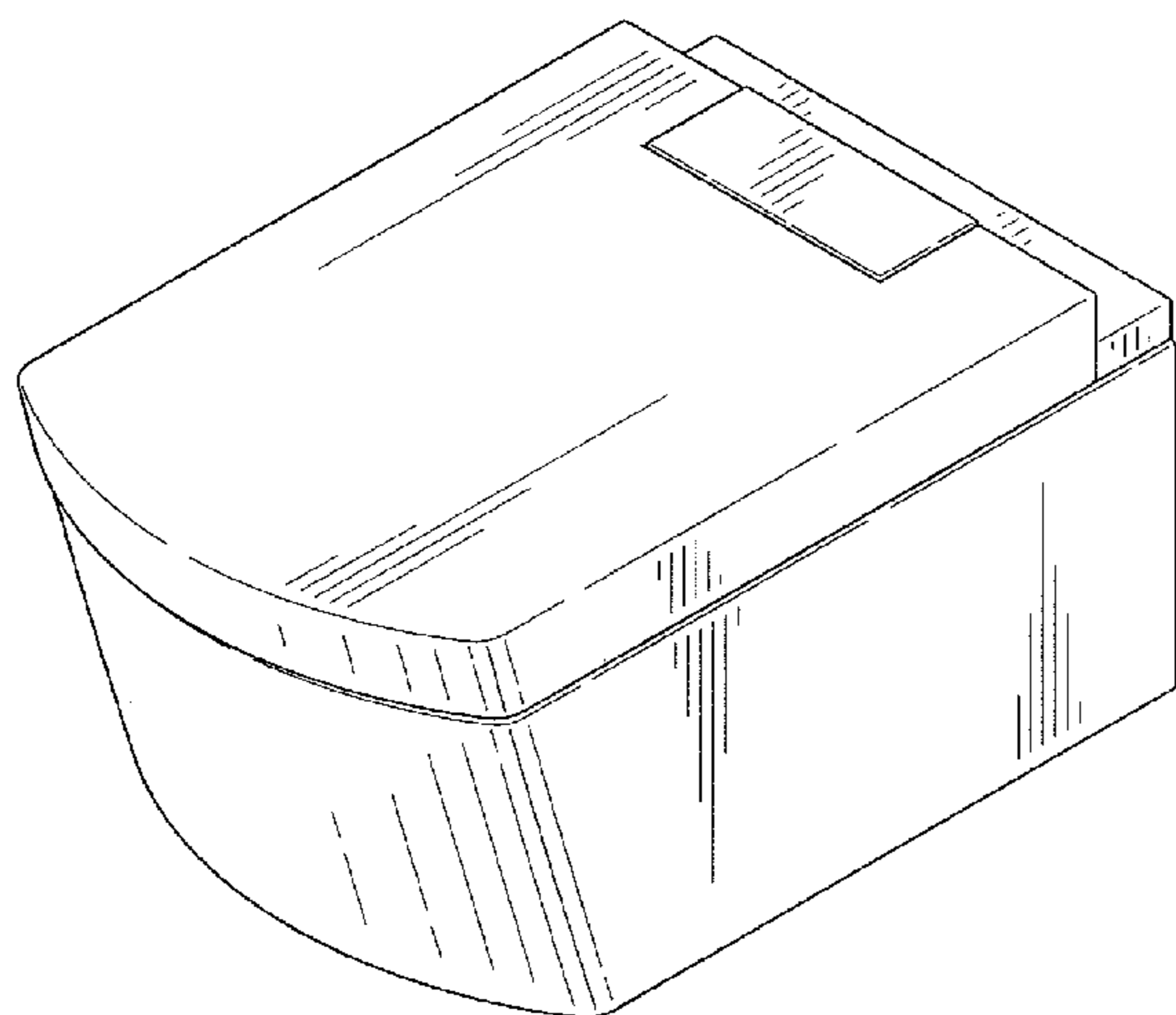
FIG. 5 is a right side view thereof;

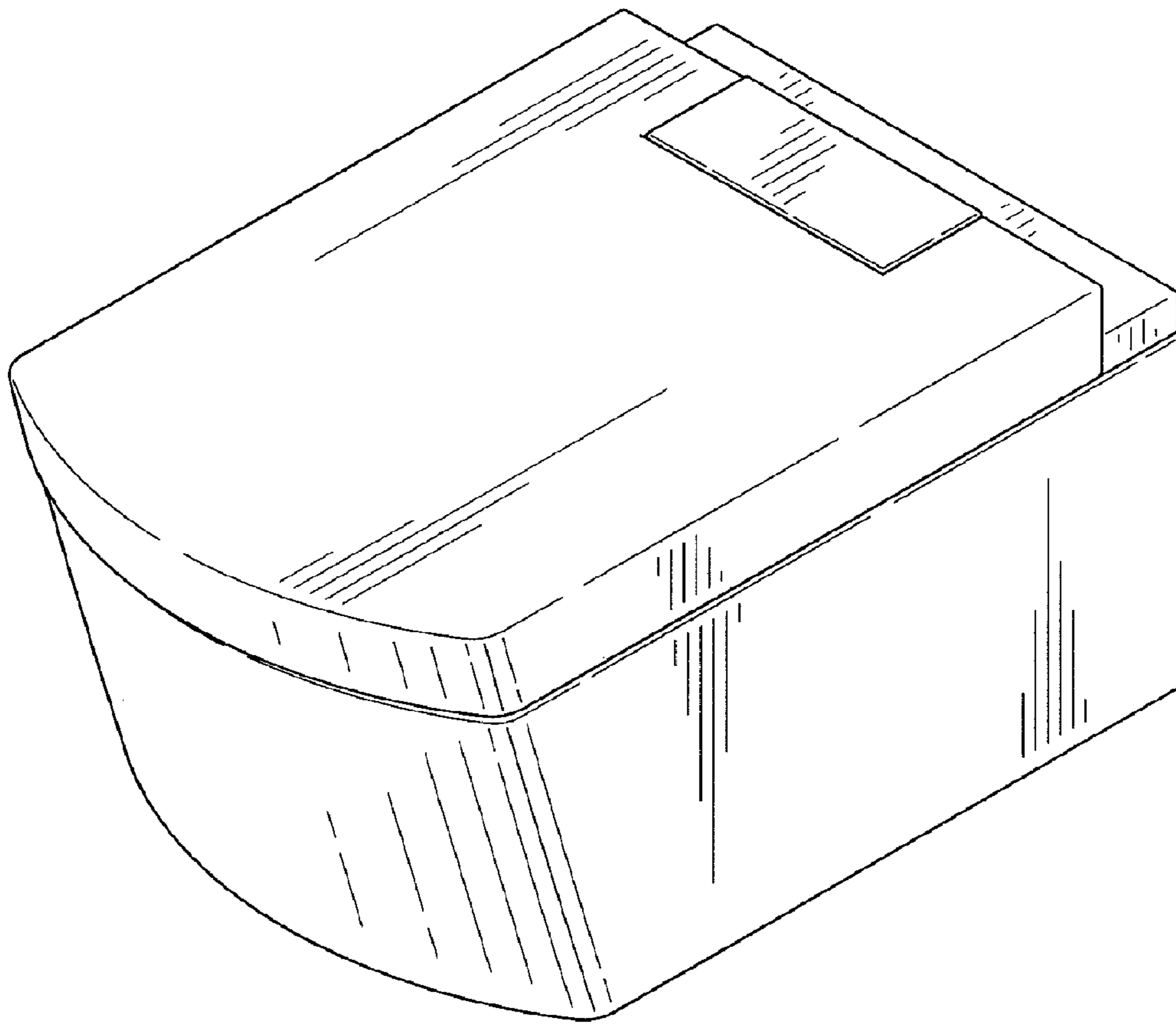
FIG. 6 is a top plan view thereof;

FIG. 7 is a bottom view thereof; and,

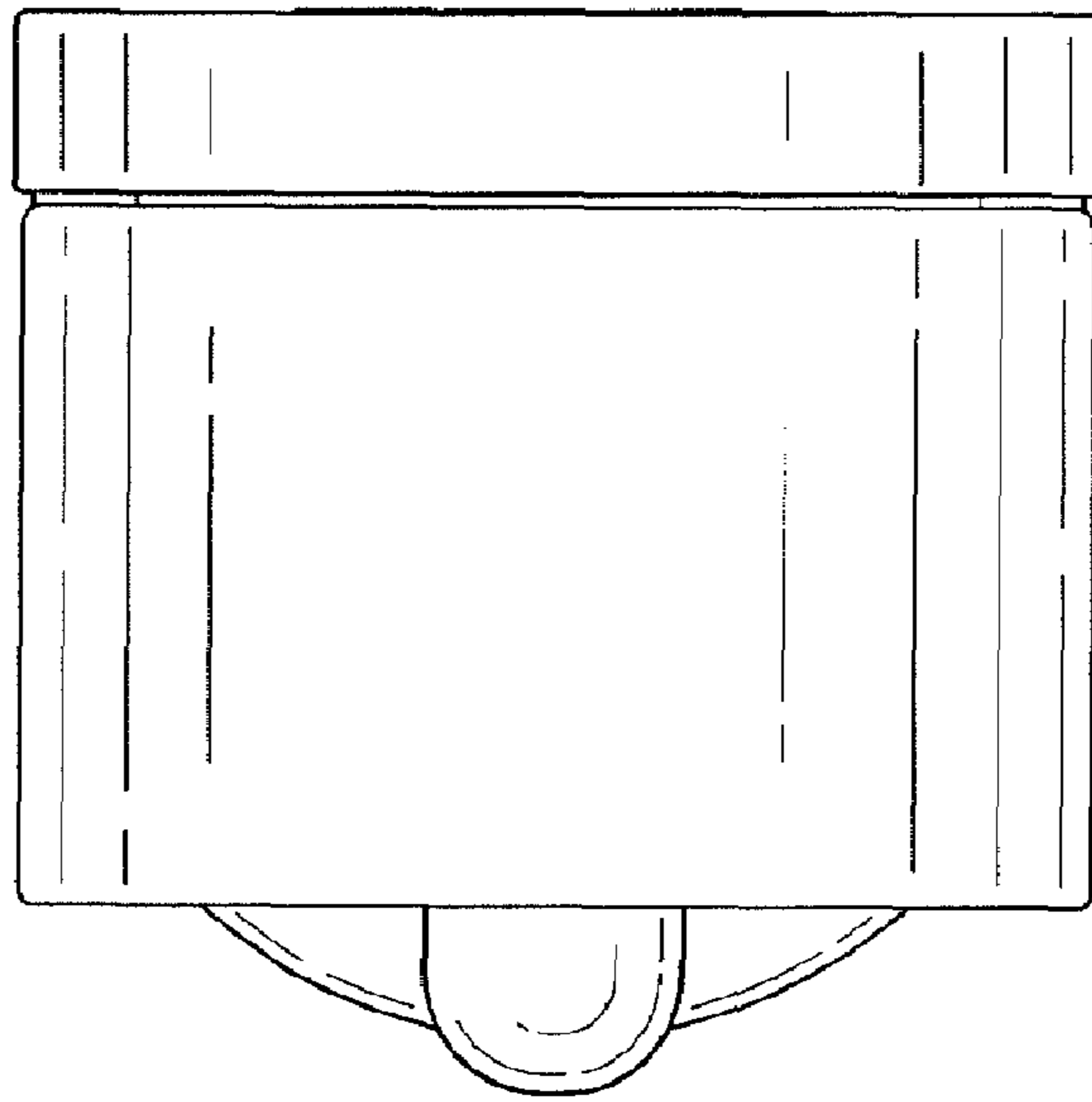
FIG. 8 is a perspective reference view with the lid in open condition thereof.

**1 Claim, 5 Drawing Sheets**

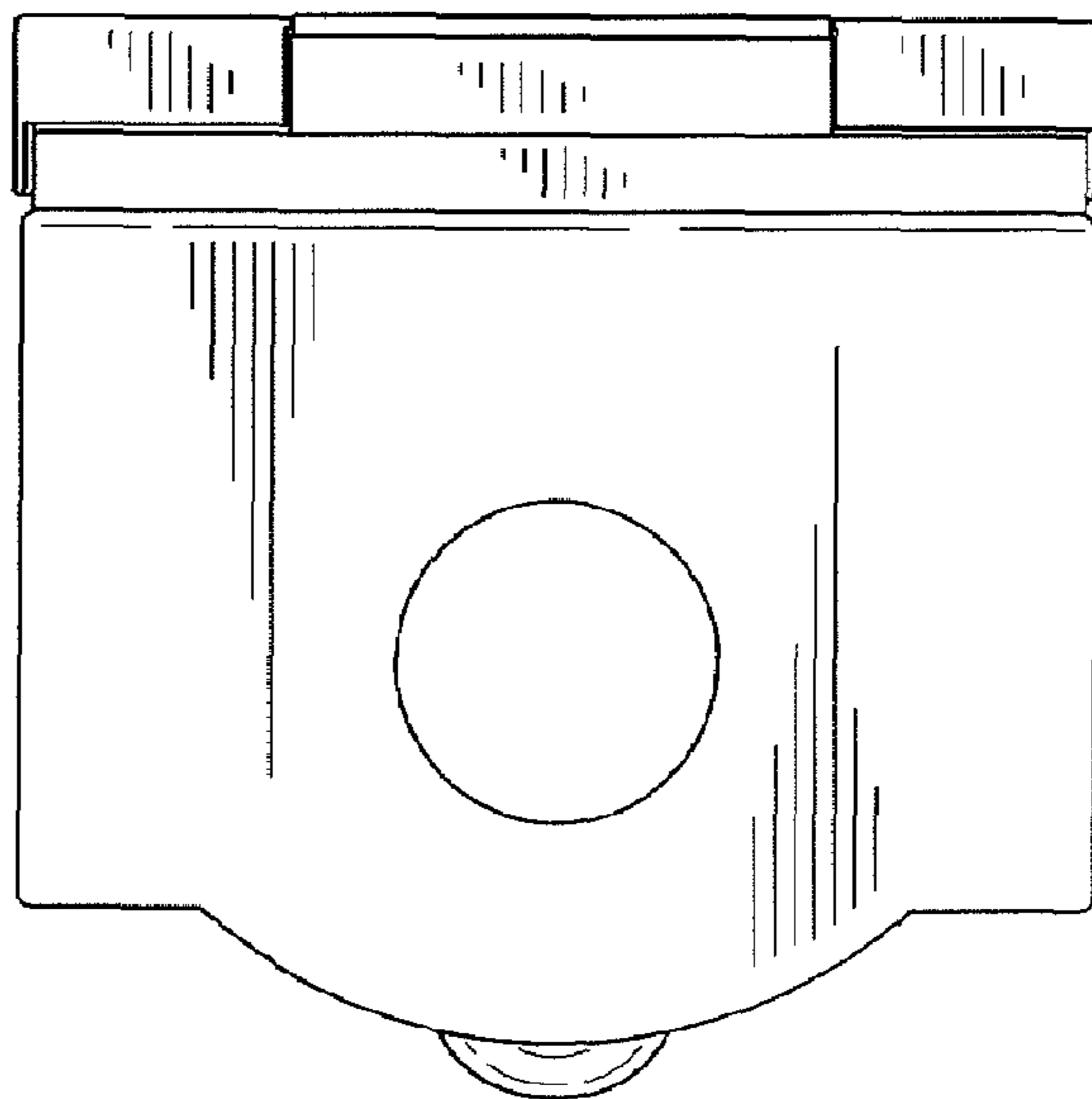




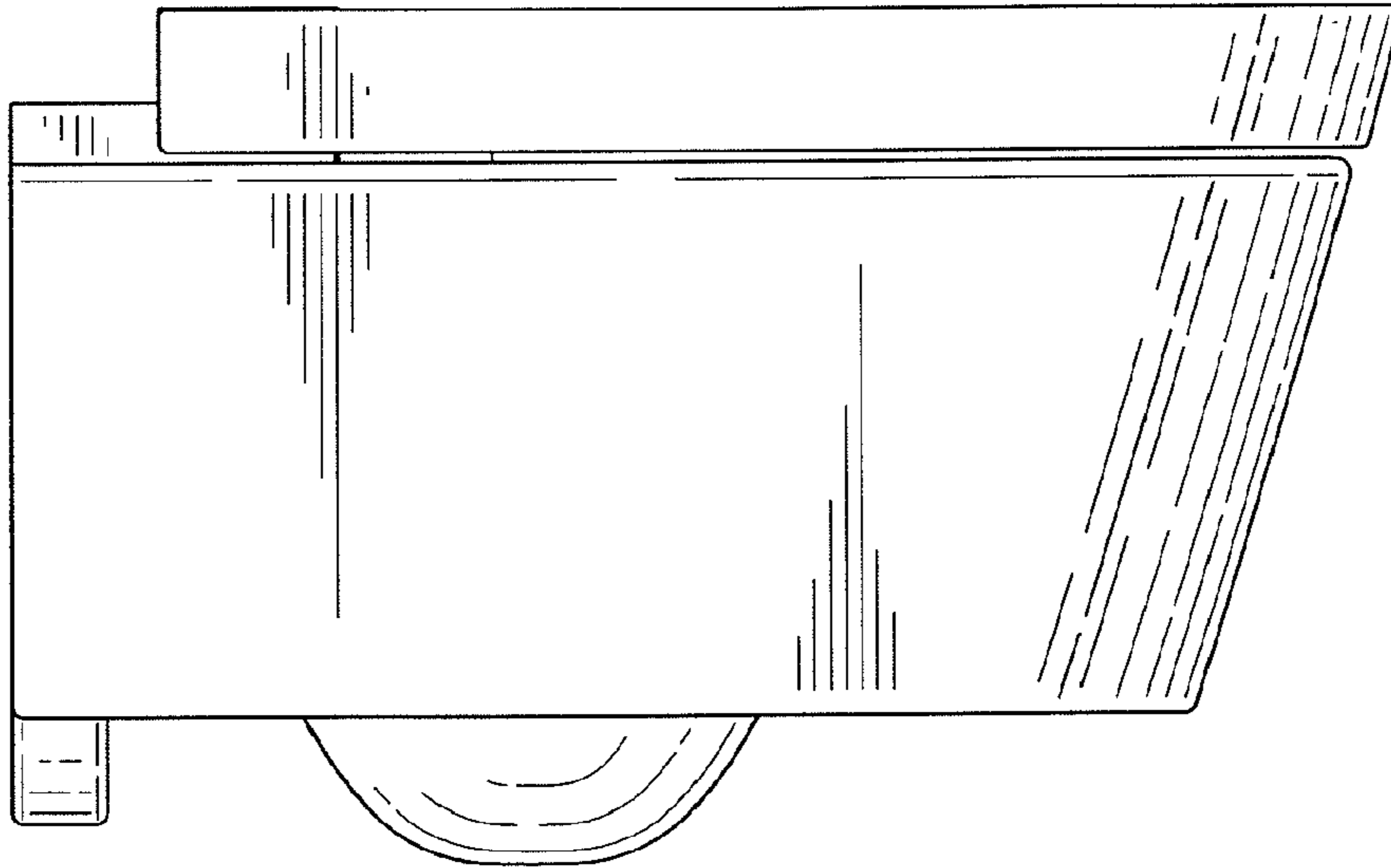
*FIG. 1*



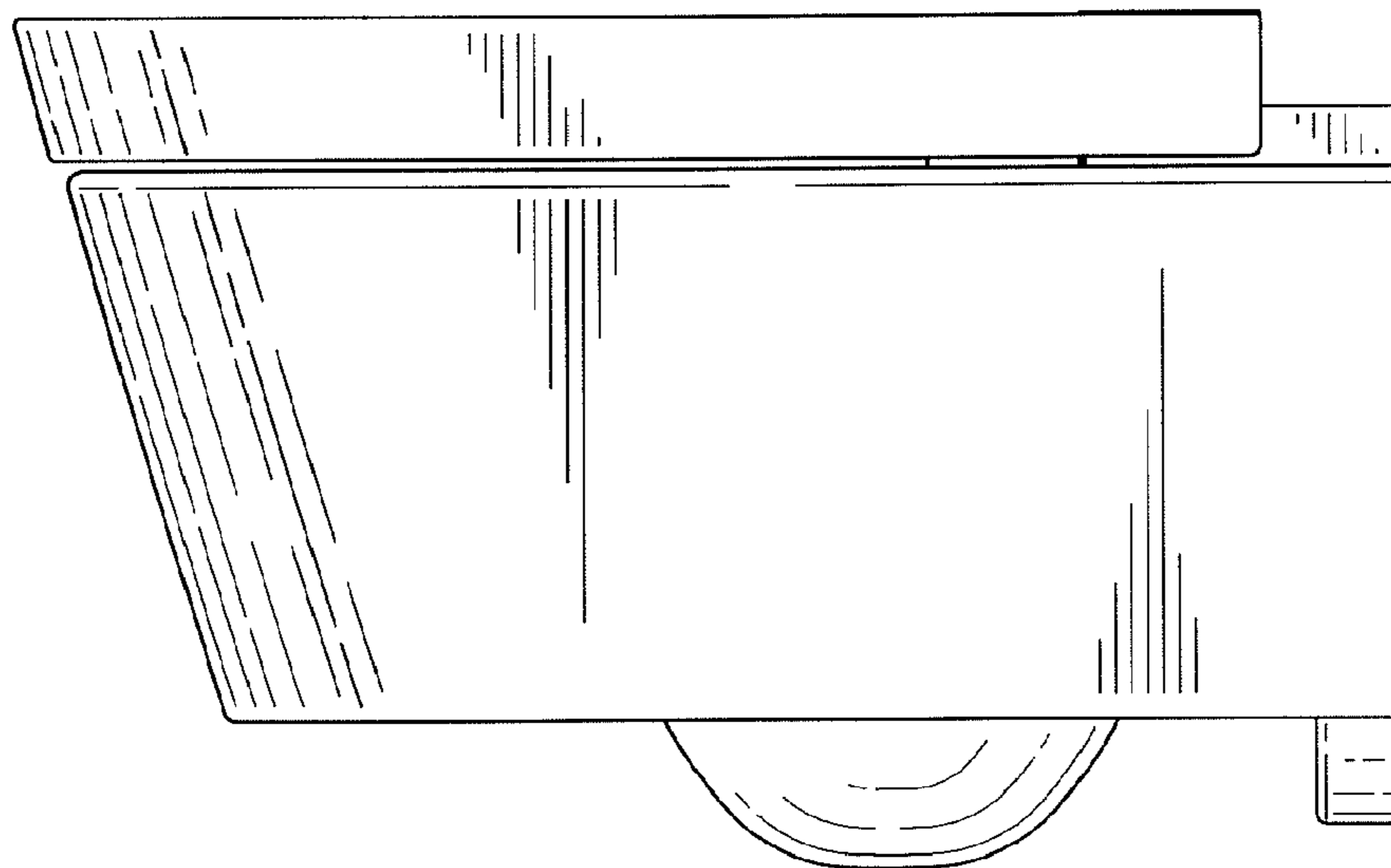
*FIG. 2*



*FIG. 3*



*FIG. 4*



*FIG. 5*

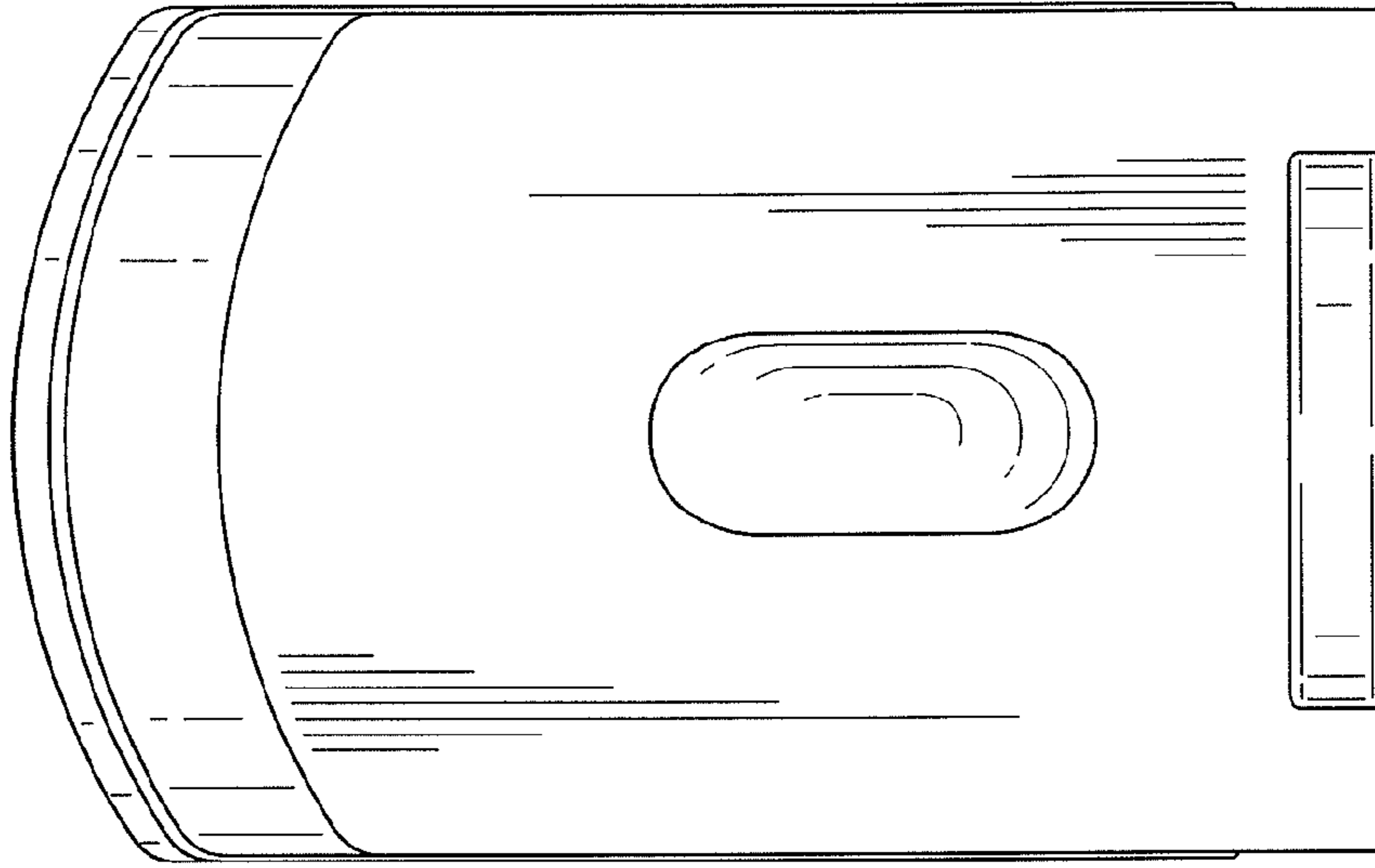


FIG. 7

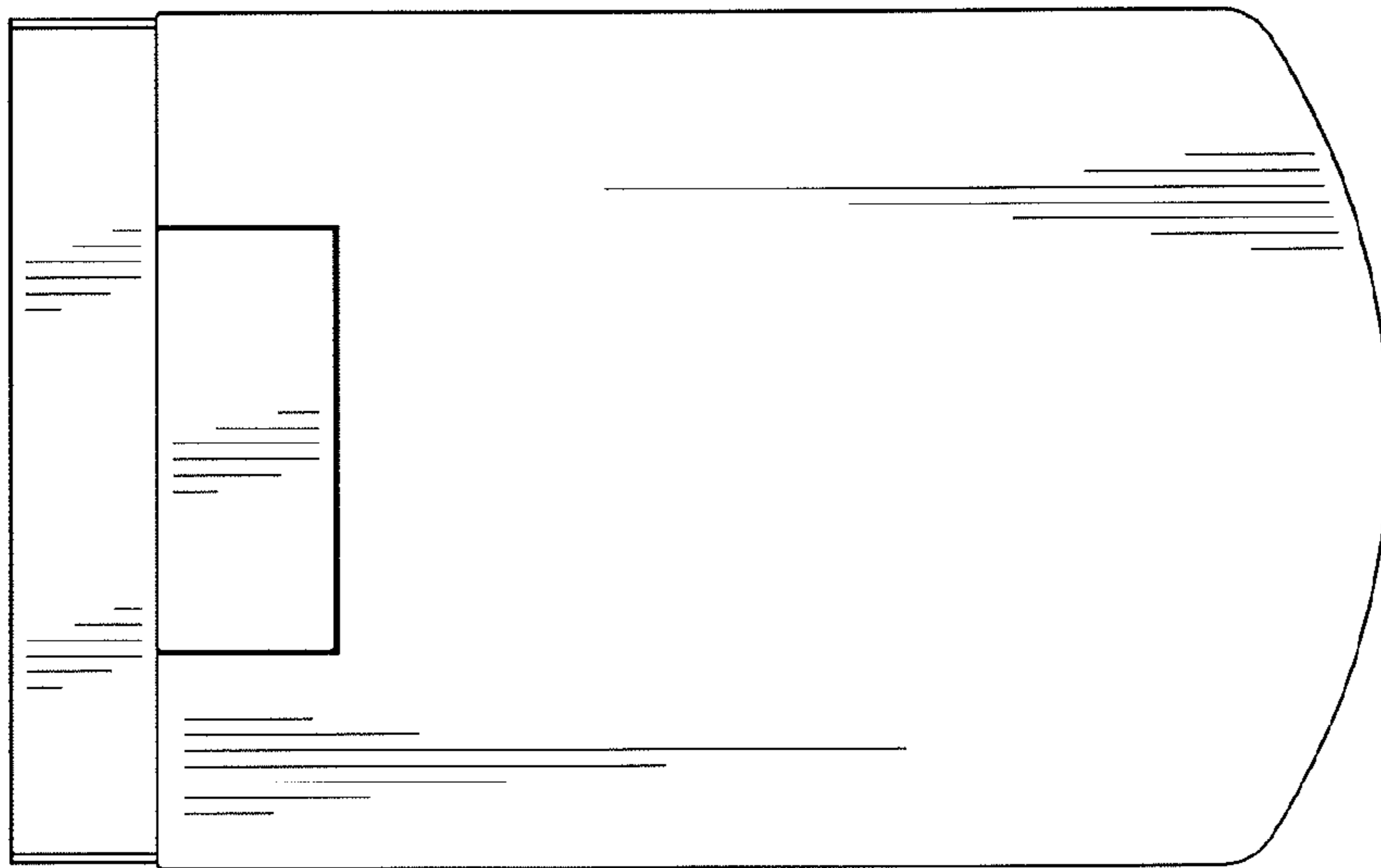
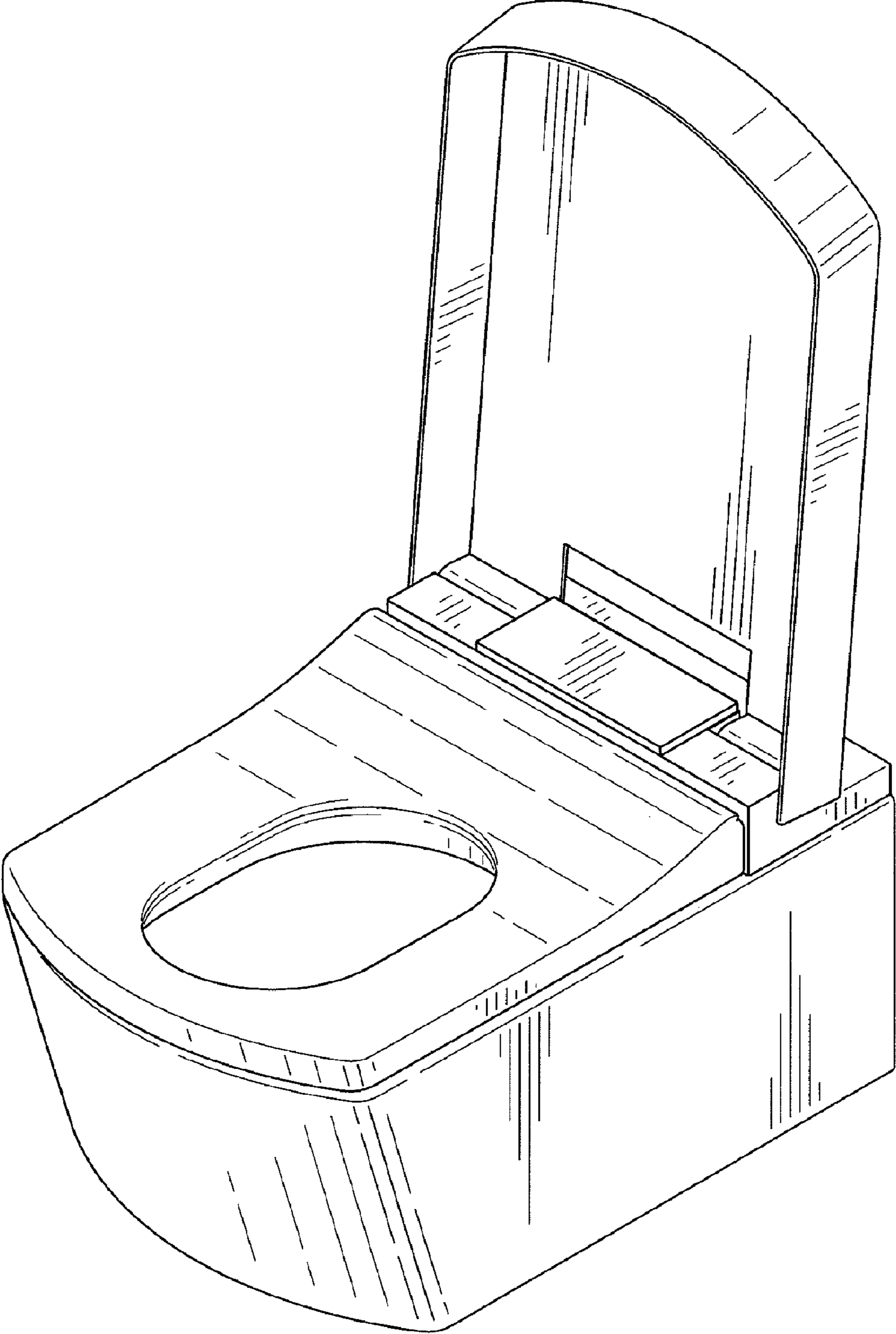


FIG. 6



**FIG. 8**