



US00D609790S

(12) **United States Design Patent**
Hanlon

(10) **Patent No.:** **US D609,790 S**

(45) **Date of Patent:** **** Feb. 9, 2010**

(54) **LAVATORY VESSEL**

(75) Inventor: **Gregory A. Hanlon**, Windsor, CT (US)

(73) Assignee: **Design by Gregory, LLC**, Windsor, CT (US)

(**) Term: **14 Years**

(21) Appl. No.: **29/314,847**

(22) Filed: **May 5, 2009**

(51) **LOC (9) Cl.** **23-01**

(52) **U.S. Cl.** **D23/285**

(58) **Field of Classification Search** D23/284–287,
D23/290–293.1, 308; 4/619, 637, 639–640,
4/642

See application file for complete search history.

(56) **References Cited**

U.S. PATENT DOCUMENTS

D288,353 S * 2/1987 Smith D23/285
D319,682 S * 9/1991 Sharp et al. D23/201
D347,053 S * 5/1994 Reid D23/285

D589,300 S * 3/2009 Altiner et al. D7/566

* cited by examiner

Primary Examiner—Robert A Delehanty

(74) *Attorney, Agent, or Firm*—Alix, Yale & Ristas, LLP

(57) **CLAIM**

The ornamental design for a lavatory vessel, as shown and described.

DESCRIPTION

FIG. 1 is an upper perspective view of a vessel showing my new design;

FIG. 2 is a front view thereof, the opposite rear view being substantially identical;

FIG. 3 is a right side view thereof, the opposite left side view being substantially identical;

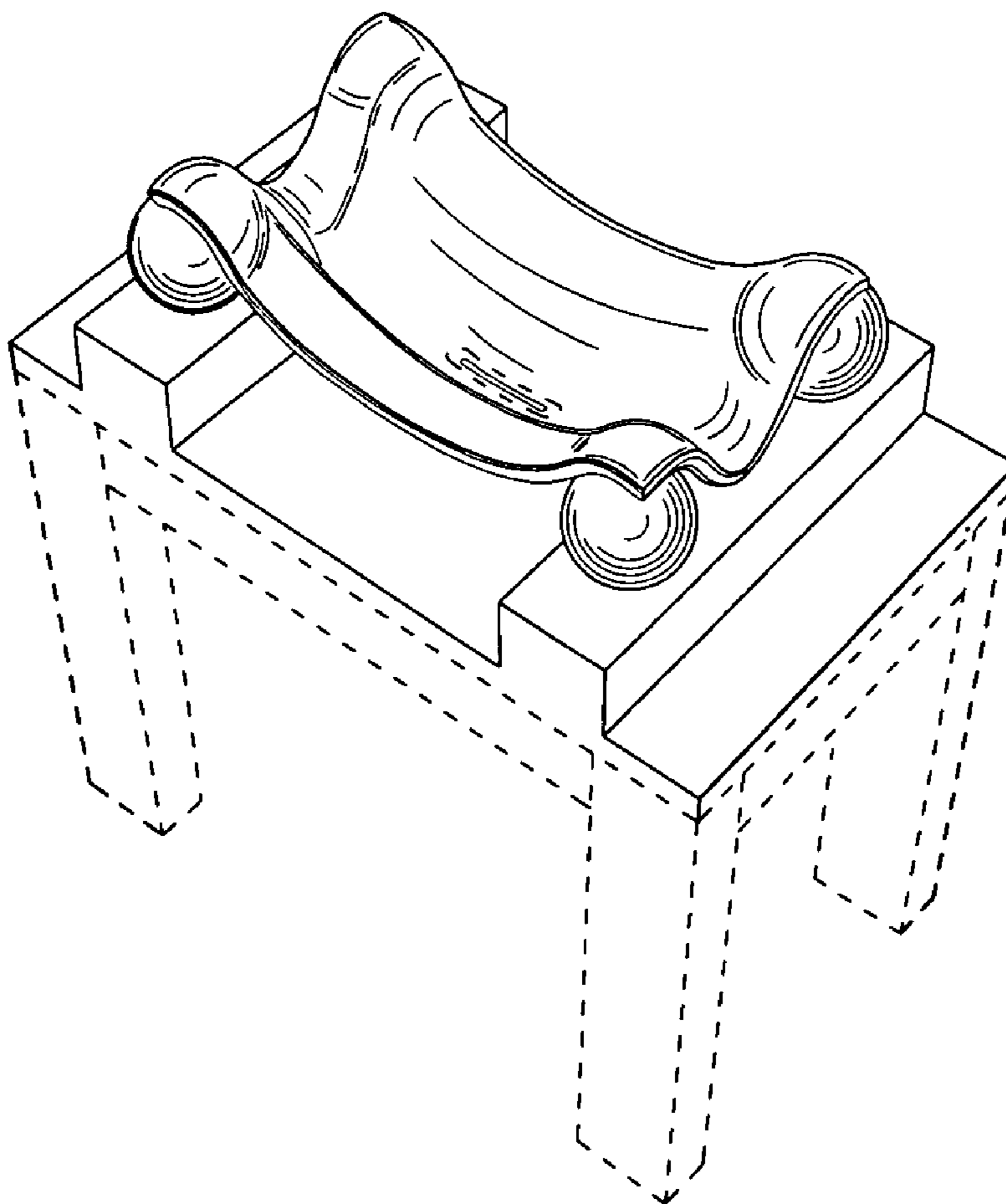
FIG. 4 is a top plan view thereof; and,

FIG. 5 is a frontal perspective view thereof.

No claim is made to the bottom plan view thereof.

No claim is made to the portions shown in broken lines.

1 Claim, 2 Drawing Sheets



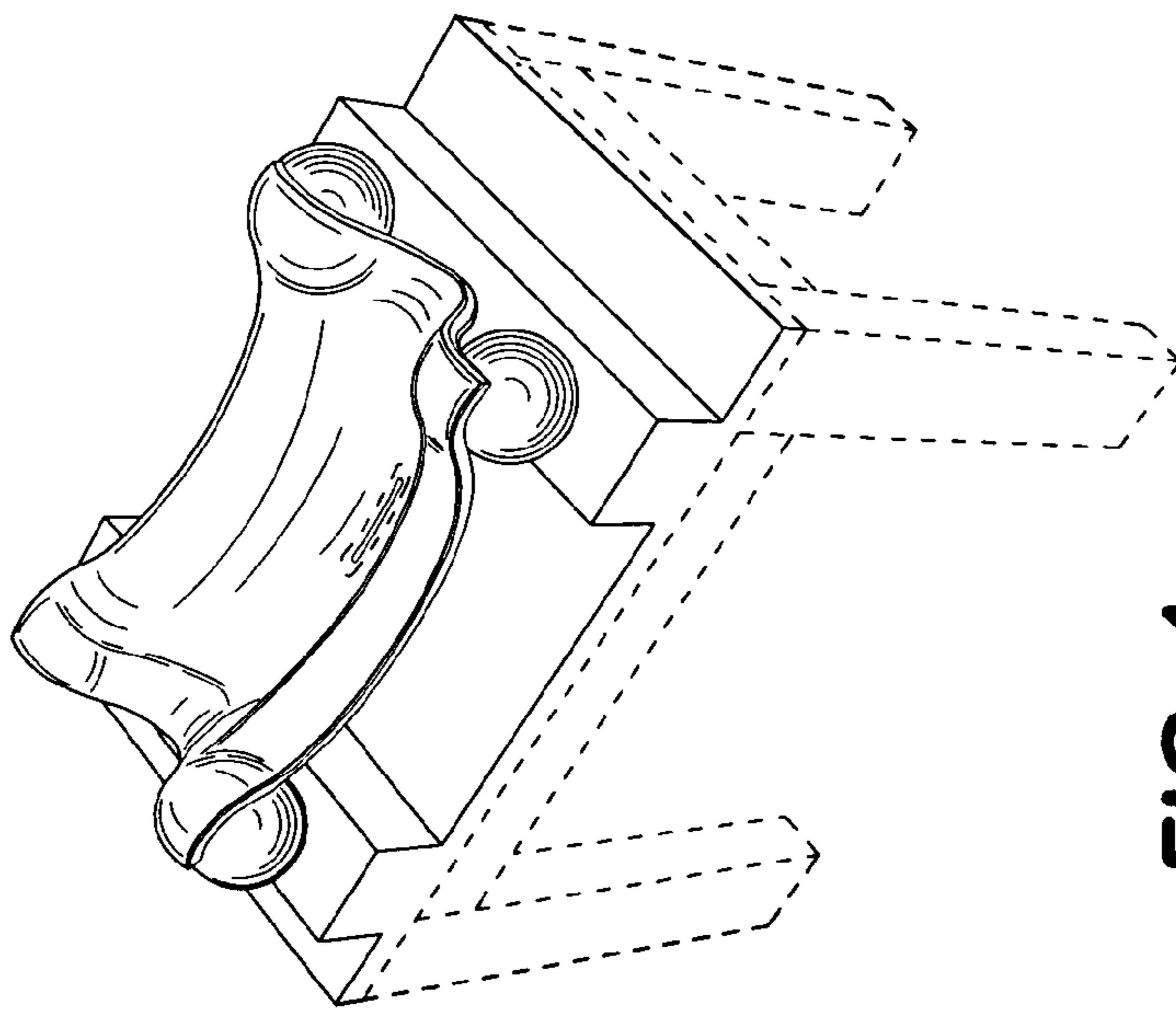


FIG. 1

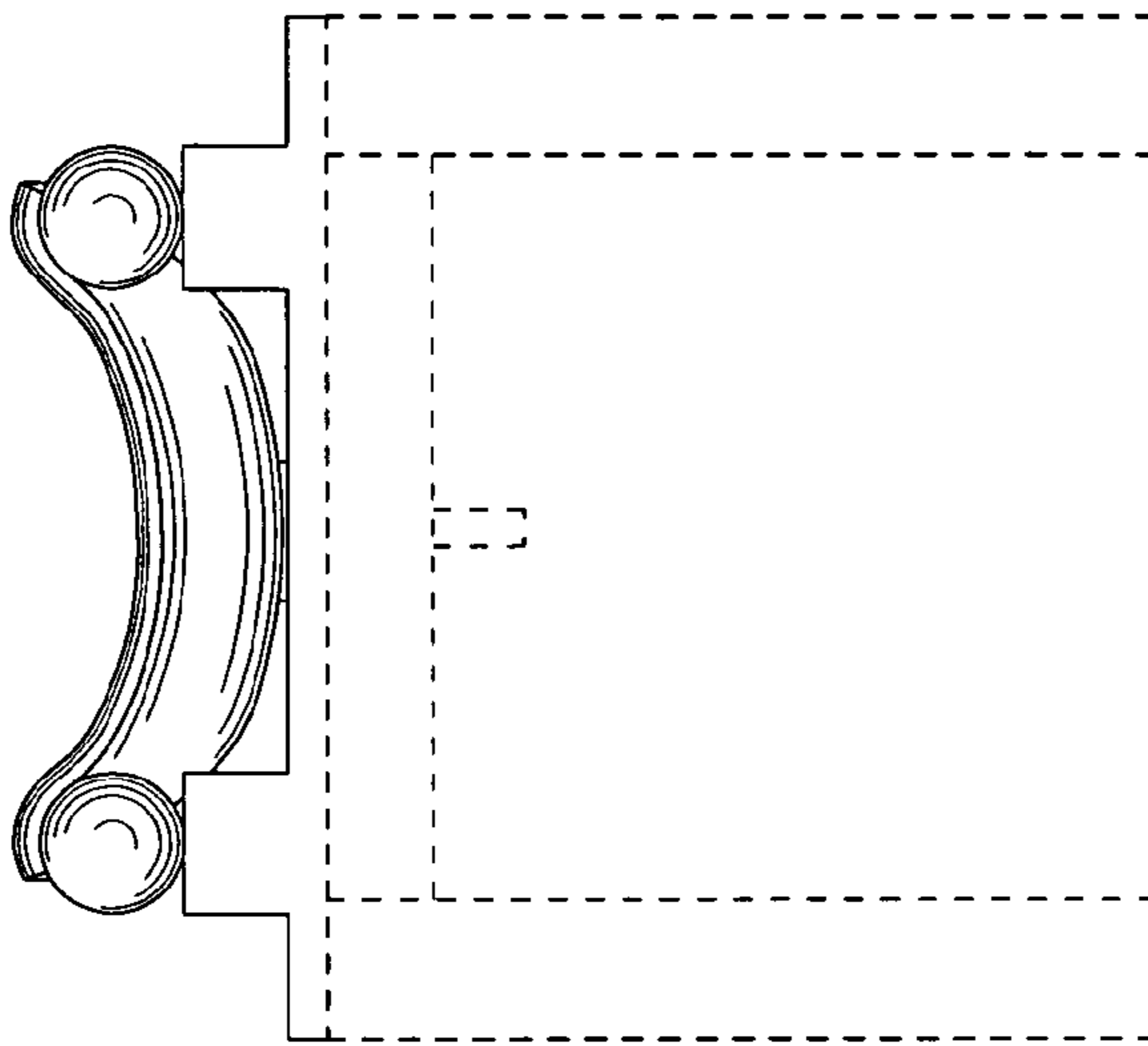


FIG. 2

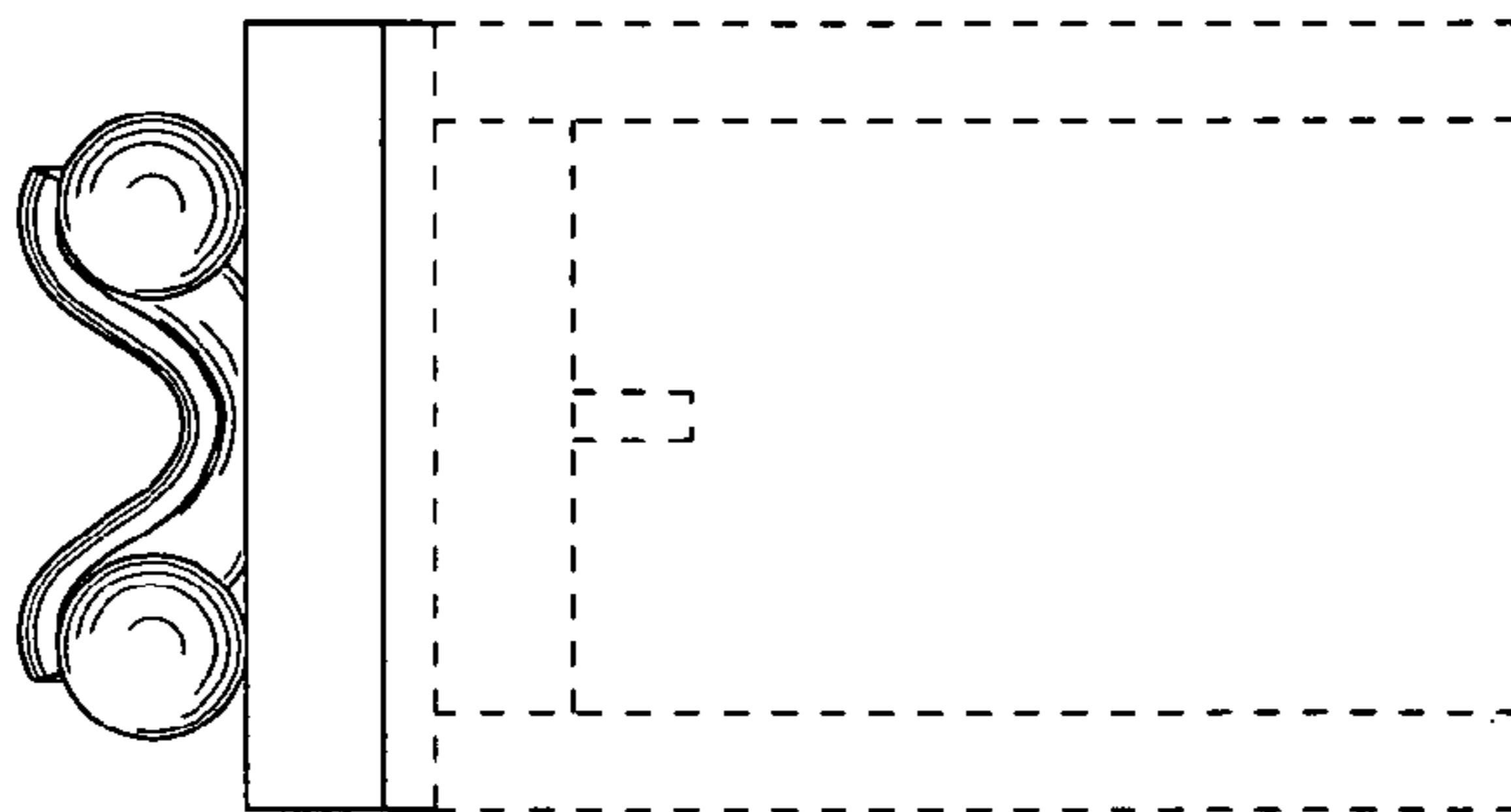


FIG. 3

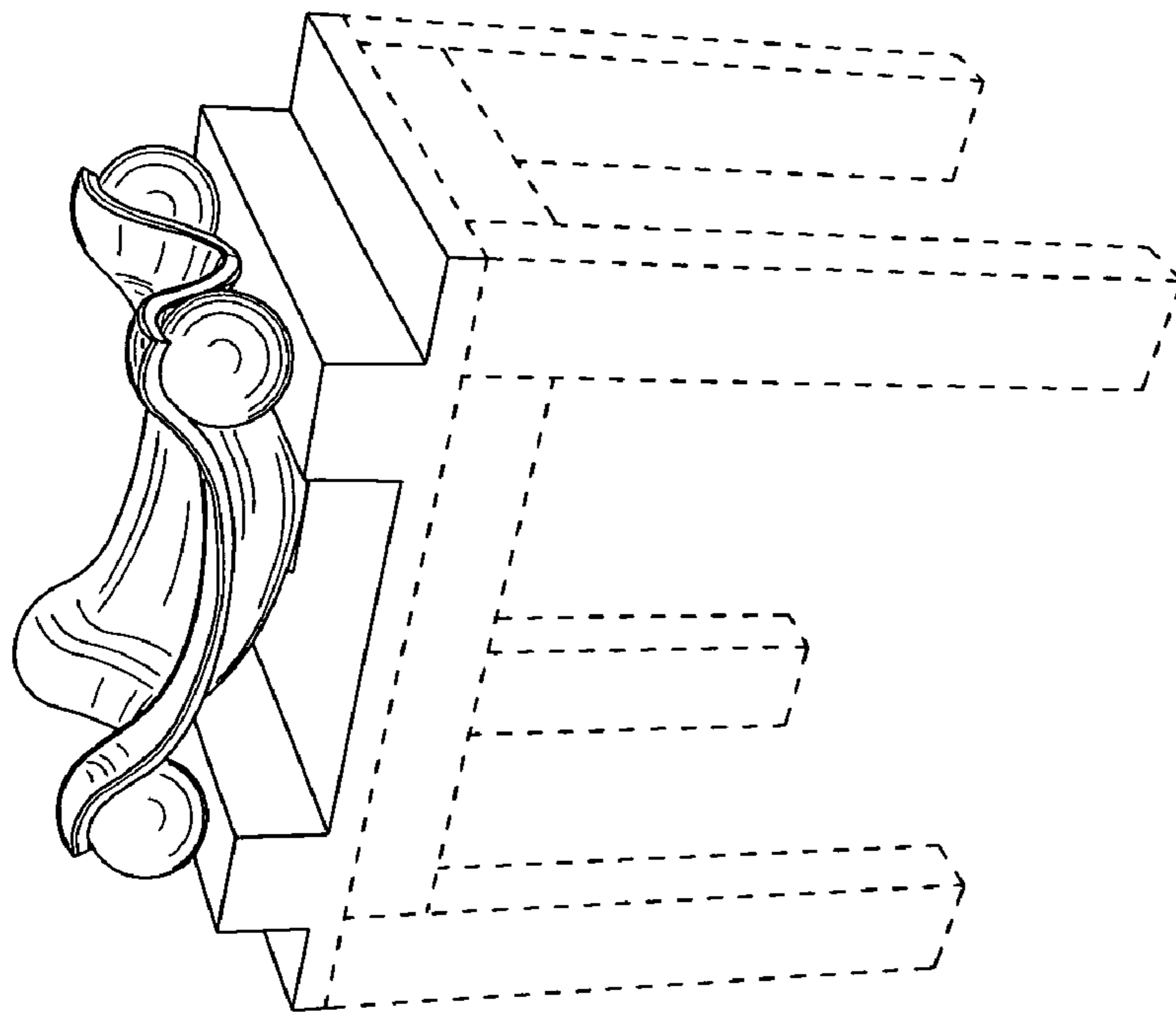


FIG. 5

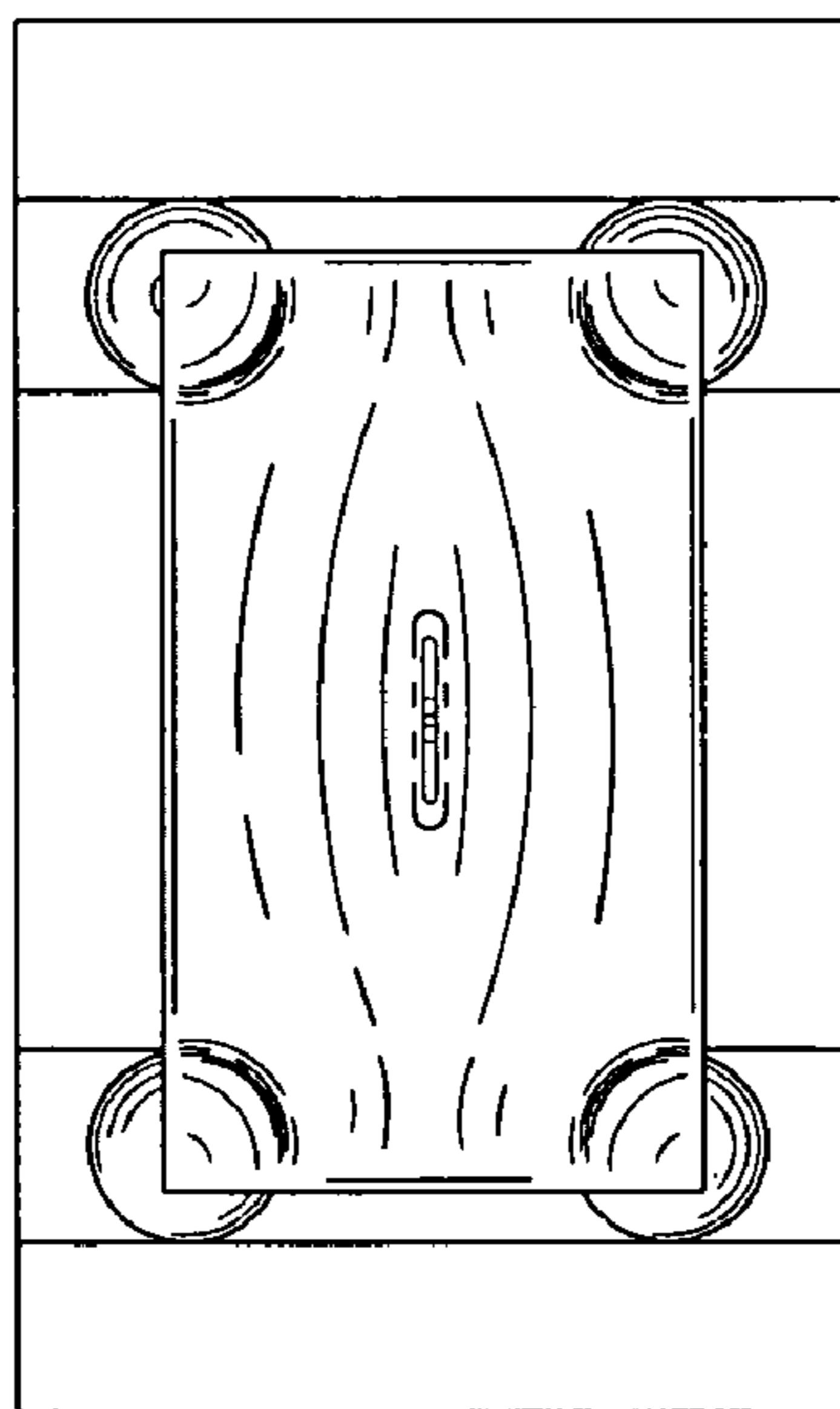


FIG. 4