



US00D609788S

(12) **United States Design Patent**
Schoenherr et al.

(10) **Patent No.:** **US D609,788 S**
(45) **Date of Patent:** **** Feb. 9, 2010**

(54) **FAUCET HANDLE**

(75) Inventors: **Tom Schoenherr**, Stuttgart (DE);
Fabian Kollmann, Stuttgart (DE);
Erkan Bilgic, Stuttgart (DE)

(73) Assignee: **Hansgrohe AG**, Schiltach (DE)

(**) Term: **14 Years**

(21) Appl. No.: **29/335,269**

(22) Filed: **Apr. 13, 2009**

(30) **Foreign Application Priority Data**

Oct. 20, 2008 (EP) 001023352-0010

(51) **LOC (9) Cl.** **23-01**

(52) **U.S. Cl.** **D23/250**

(58) **Field of Classification Search** D23/238-243,
D23/250, 252-254; 4/676-678; 137/801,
137/359; 16/110.1; D8/350-353; D6/550
See application file for complete search history.

(56) **References Cited**

U.S. PATENT DOCUMENTS

D433,486 S * 11/2000 Lord D23/250

D505,483 S * 5/2005 Bayer D23/252
D519,607 S * 4/2006 Spangler D23/238
D522,100 S * 5/2006 Fritz D23/252
D566,818 S * 4/2008 Kohler et al. D23/255
D602,569 S * 10/2009 Fakonas D23/238

* cited by examiner

Primary Examiner—Robert A Delehanty

(74) *Attorney, Agent, or Firm*—Nirav D. Parikh; Edgar A. Zarins

(57) **CLAIM**

The ornamental design for a faucet handle, as shown and described.

DESCRIPTION

FIG. 1 is a perspective view of a faucet handle showing our design;

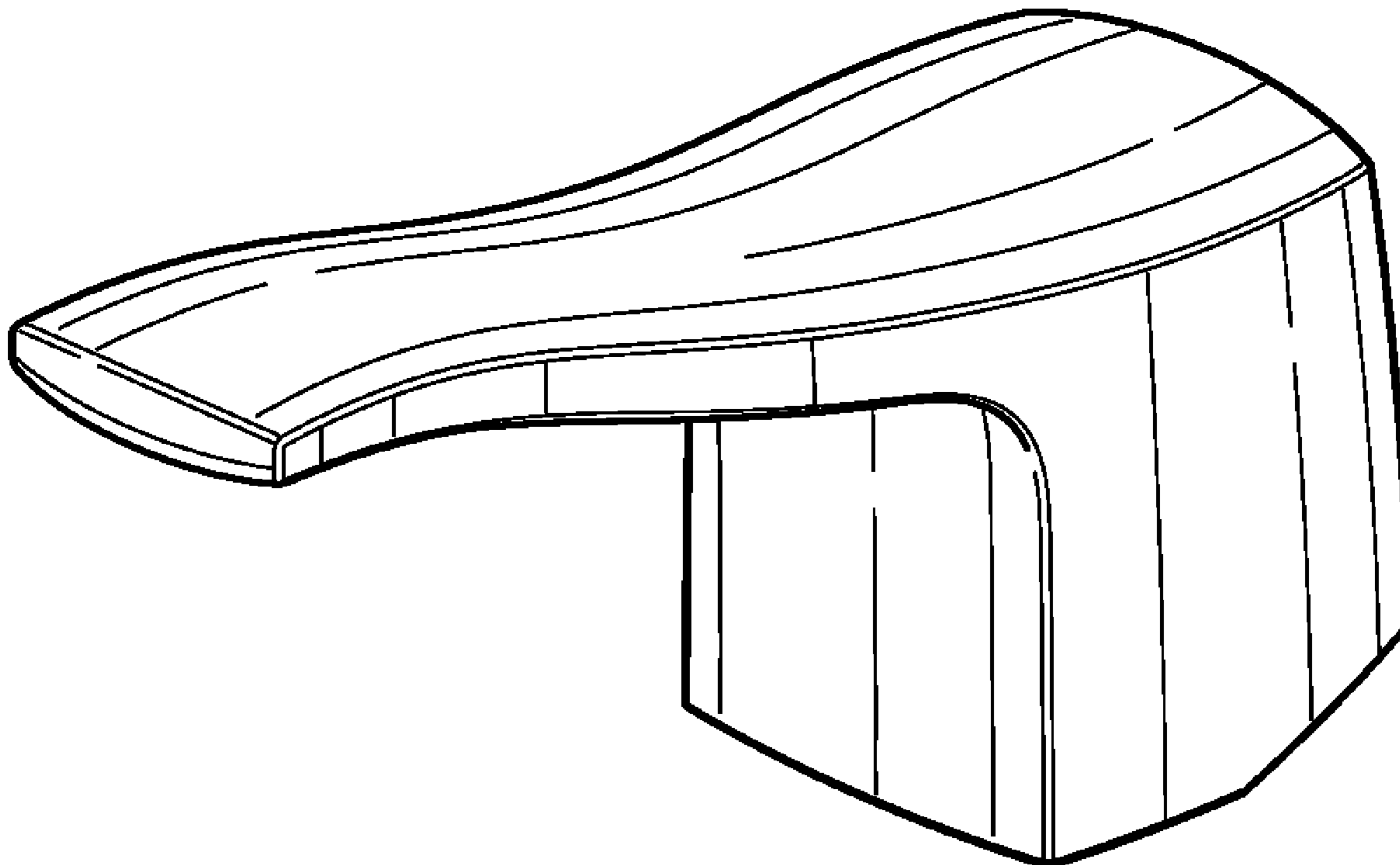
FIG. 2 is a front elevational view thereof;

FIG. 3 is a rear elevational view thereof;

FIG. 4 is a left side elevational view thereof; the right side elevational view being a mirror image thereof; and,

FIG. 5 is a top plan view thereof.

1 Claim, 5 Drawing Sheets



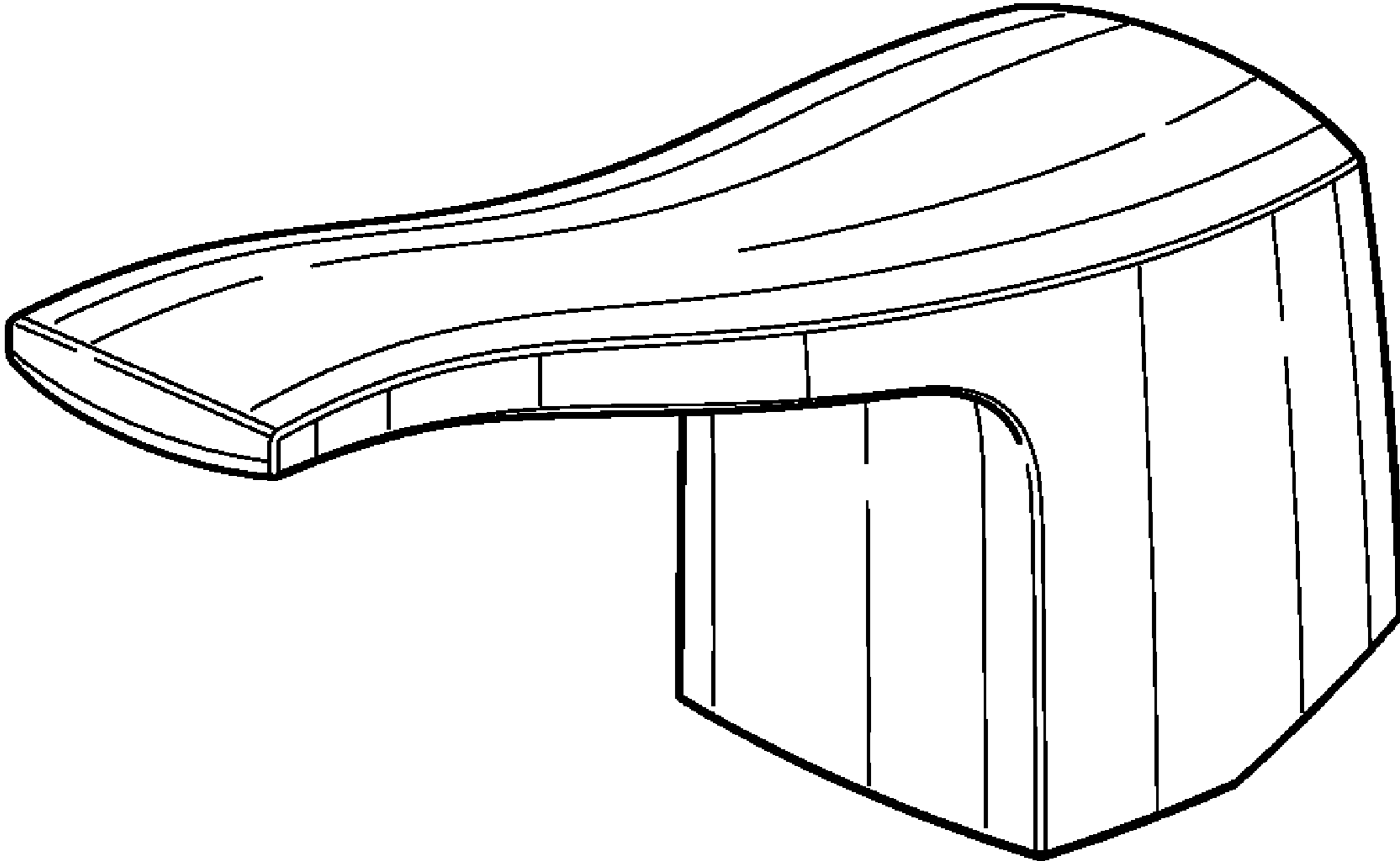


FIG. 1

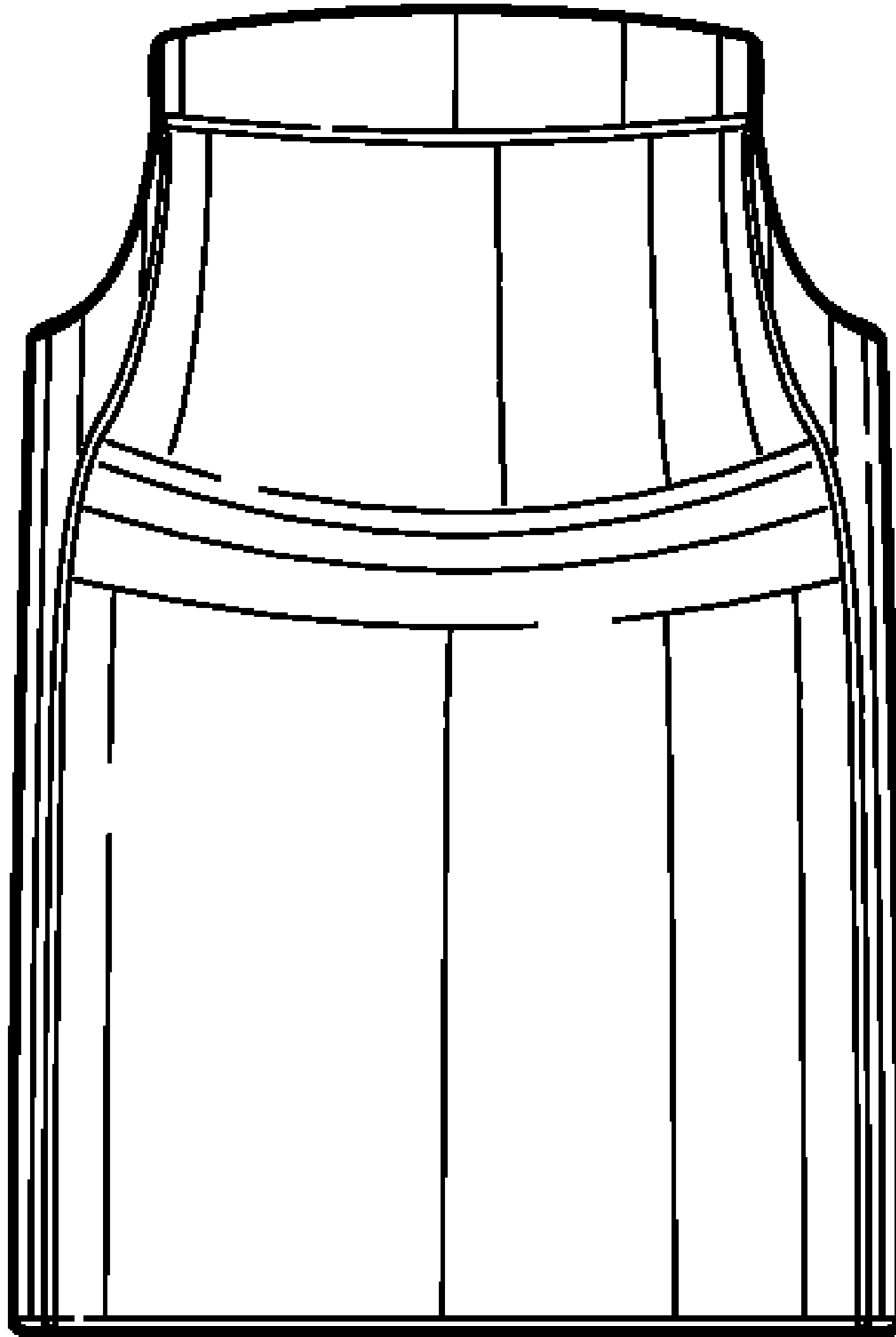


FIG. 2

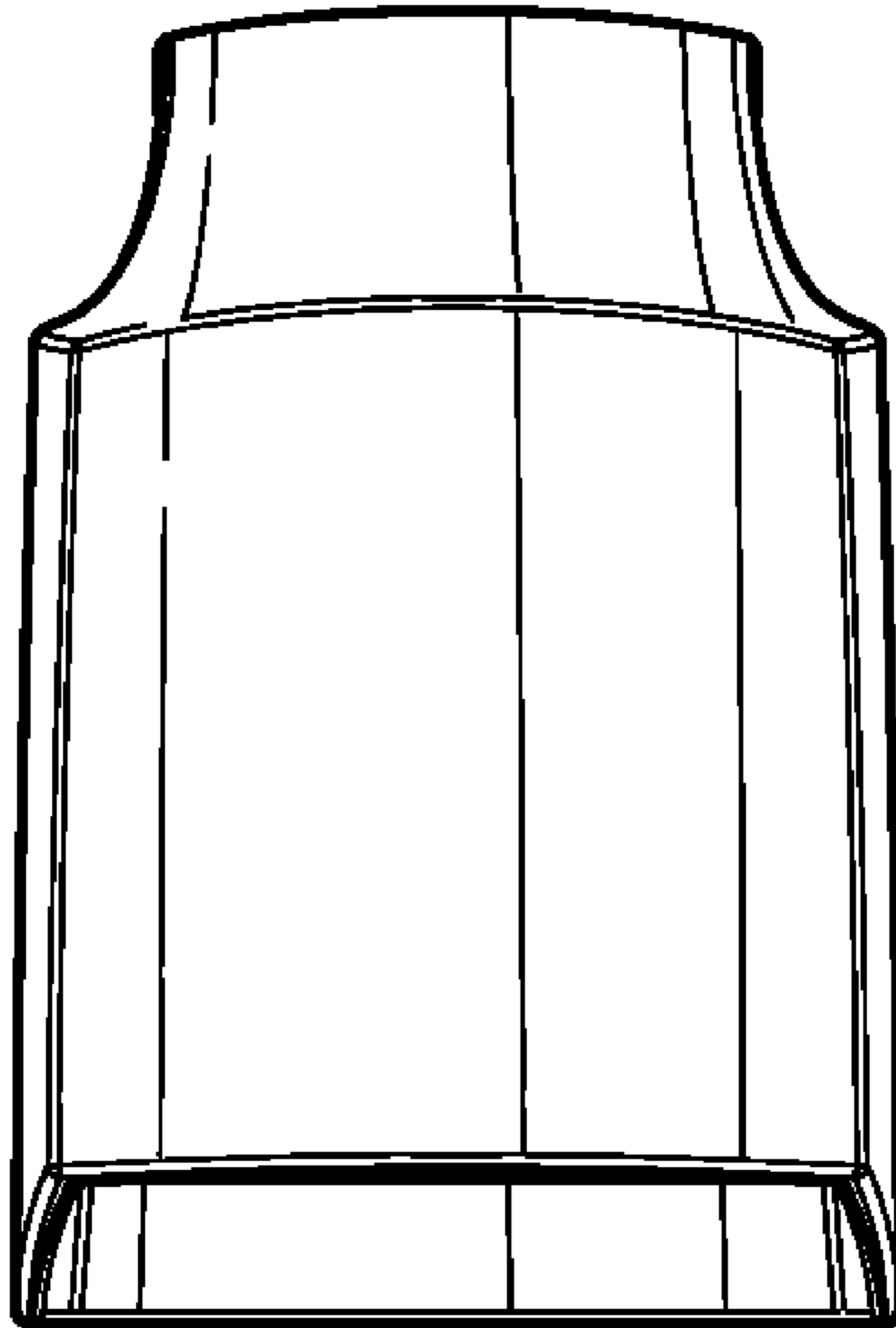


FIG. 3

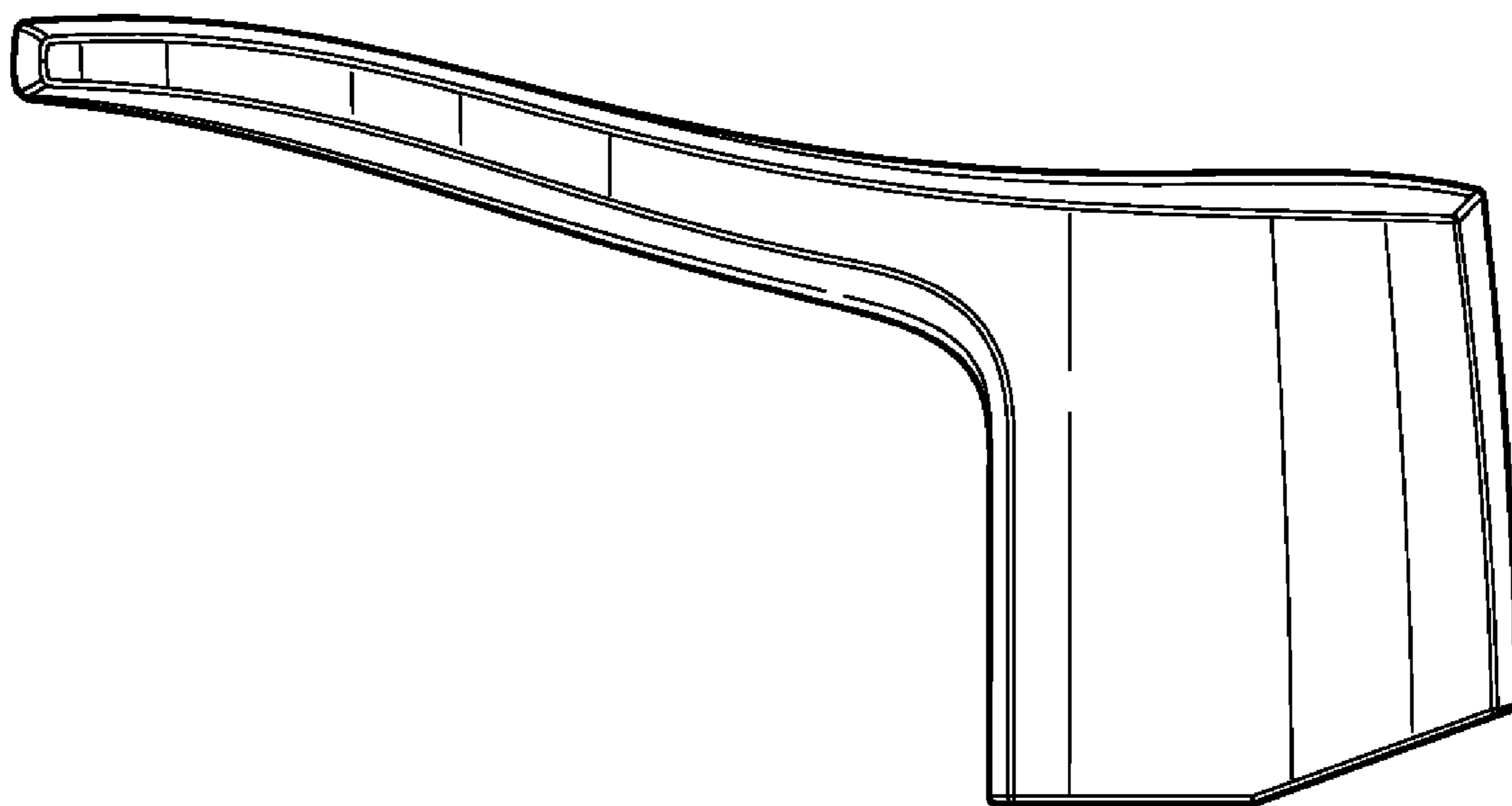


FIG. 4

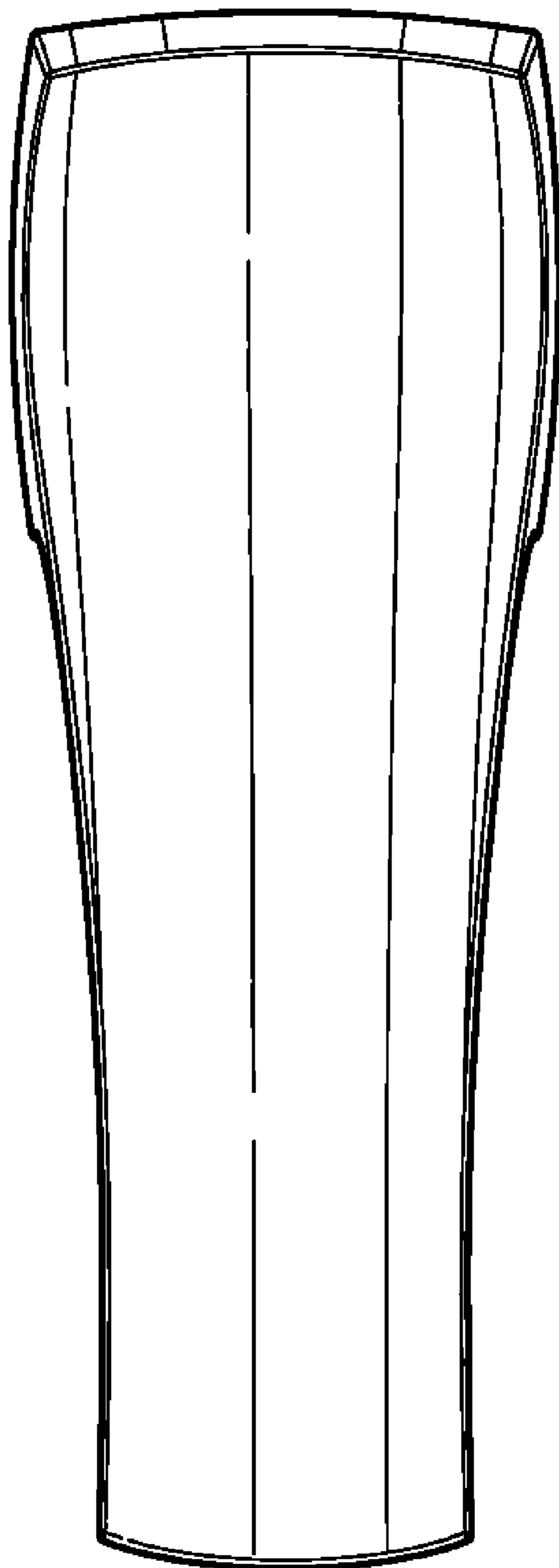


FIG. 5