



US00D609787S

(12) **United States Design Patent**
Stadtler

(10) **Patent No.:** **US D609,787 S**

(45) **Date of Patent:** **** Feb. 9, 2010**

(54) **FLOW REGULATOR**

(75) Inventor: **Georg Stadtler**, Bad Rodach/Gauerstadt (DE)

(73) Assignee: **Neoperl GmbH**, Mullheim (DE)

(**) Term: **14 Years**

(21) Appl. No.: **29/345,406**

(22) Filed: **Oct. 15, 2009**

Related U.S. Application Data

(63) Continuation of application No. 29/324,148, filed on Sep. 8, 2008, now Pat. No. Des. 602,567.

Foreign Application Priority Data

Jul. 14, 2008 (EM) 000969894

(51) **LOC (9) Cl.** **23-01**

(52) **U.S. Cl.** **D23/249; D23/235**

(58) **Field of Classification Search** D23/209, D23/213, 235-237, 244-249, 257, 260, 261, D23/385-389, 393, 397, 354, 370; 138/37, 138/40-42; 239/428.5, 552, 553, 553.5, 239/3, 533.1; 261/DIG. 22; D25/153, 156; 404/2, 4; 454/275-277, 284, 287-291, 309

See application file for complete search history.

(56) **References Cited**

U.S. PATENT DOCUMENTS

5,467,929 A 11/1995 Bosio

D462,757 S * 9/2002 Pettit D23/388
D536,068 S 1/2007 Grether
D537,148 S 2/2007 Grether
D570,961 S 6/2008 Grether
D581,487 S * 11/2008 Wildfang D23/249
D602,567 S * 10/2009 Stadtler D23/235
2006/0239773 A1 * 10/2006 Meyers 404/2

* cited by examiner

Primary Examiner—Cathron C. Brooks

Assistant Examiner—Maurice Stevens

(74) *Attorney, Agent, or Firm*—Volpe and Koenig, P.C.

(57) **CLAIM**

The ornamental design for a flow regulator, as shown and described.

DESCRIPTION

FIG. 1 is a top right front perspective view of a flow regulator according to my design;

FIG. 2 is a bottom left rear perspective view thereof;

FIG. 3 is a front elevational view thereof;

FIG. 4 is a right side elevational view thereof, the left side elevational view being a mirror image thereto;

FIG. 5 is a rear elevational view thereof;

FIG. 6 is a bottom view thereof; and,

FIG. 7 is a top view thereof.

The broken lines illustrated form no part of the claimed design.

1 Claim, 6 Drawing Sheets

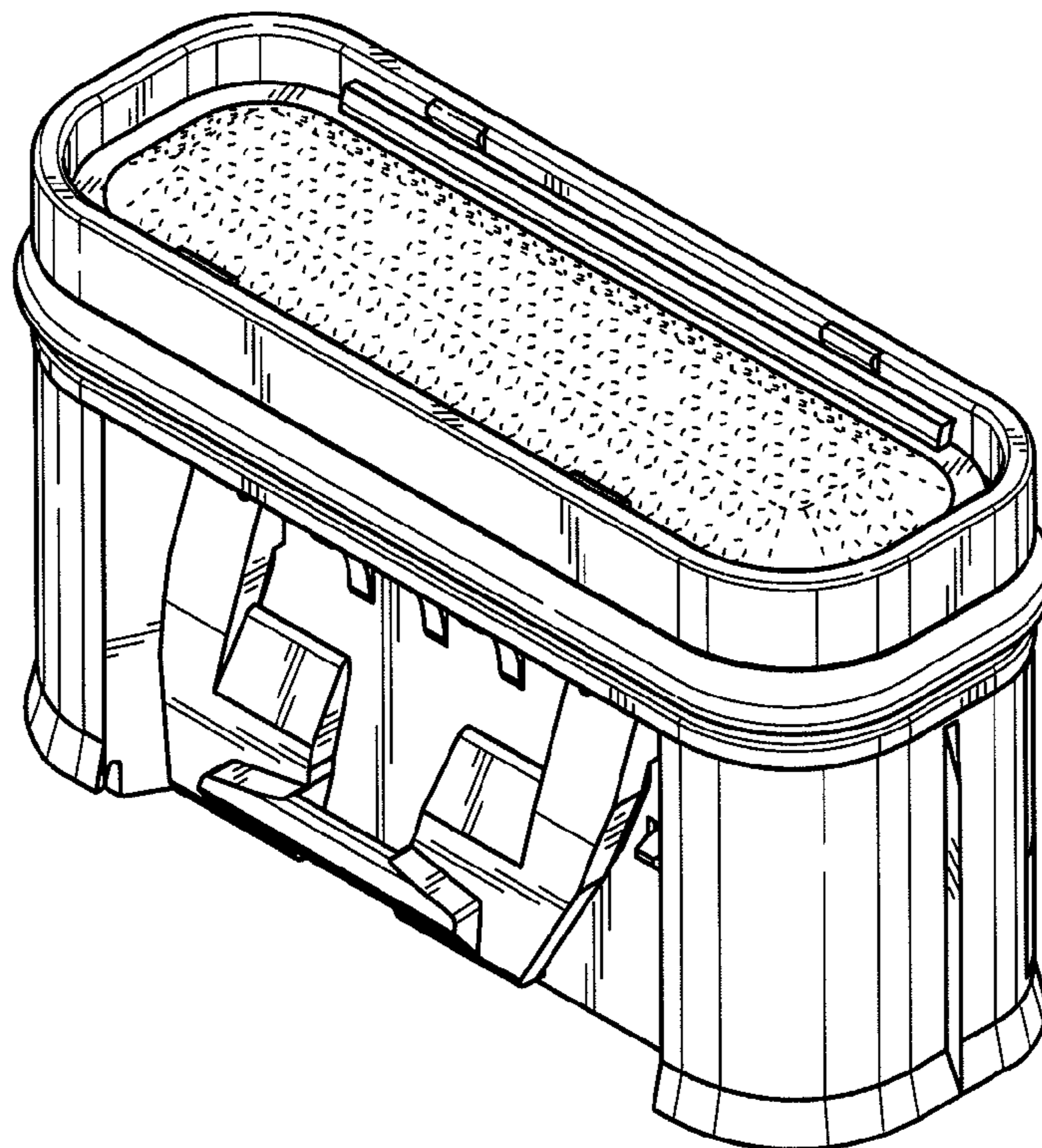


FIG. 1

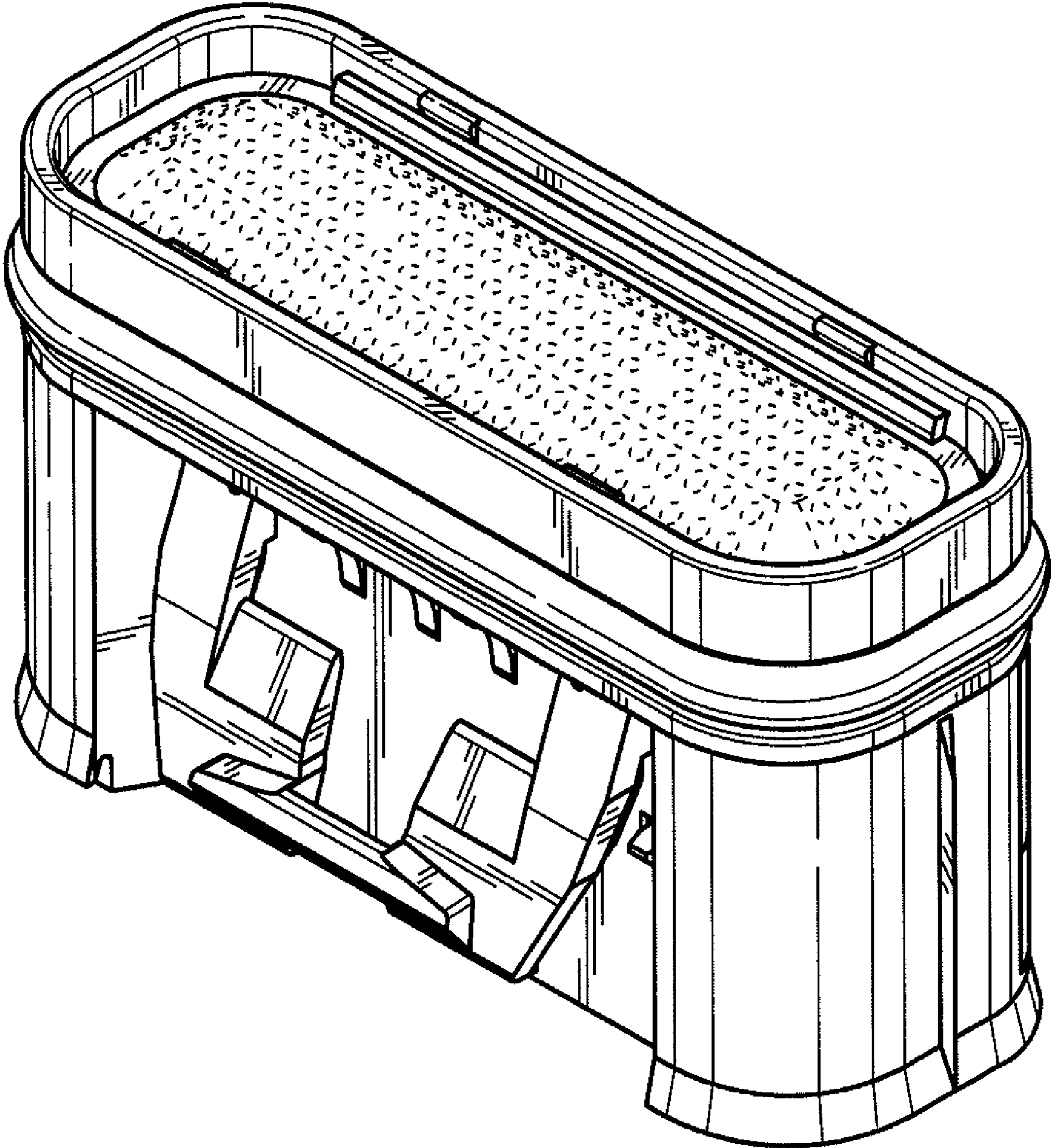


FIG. 2

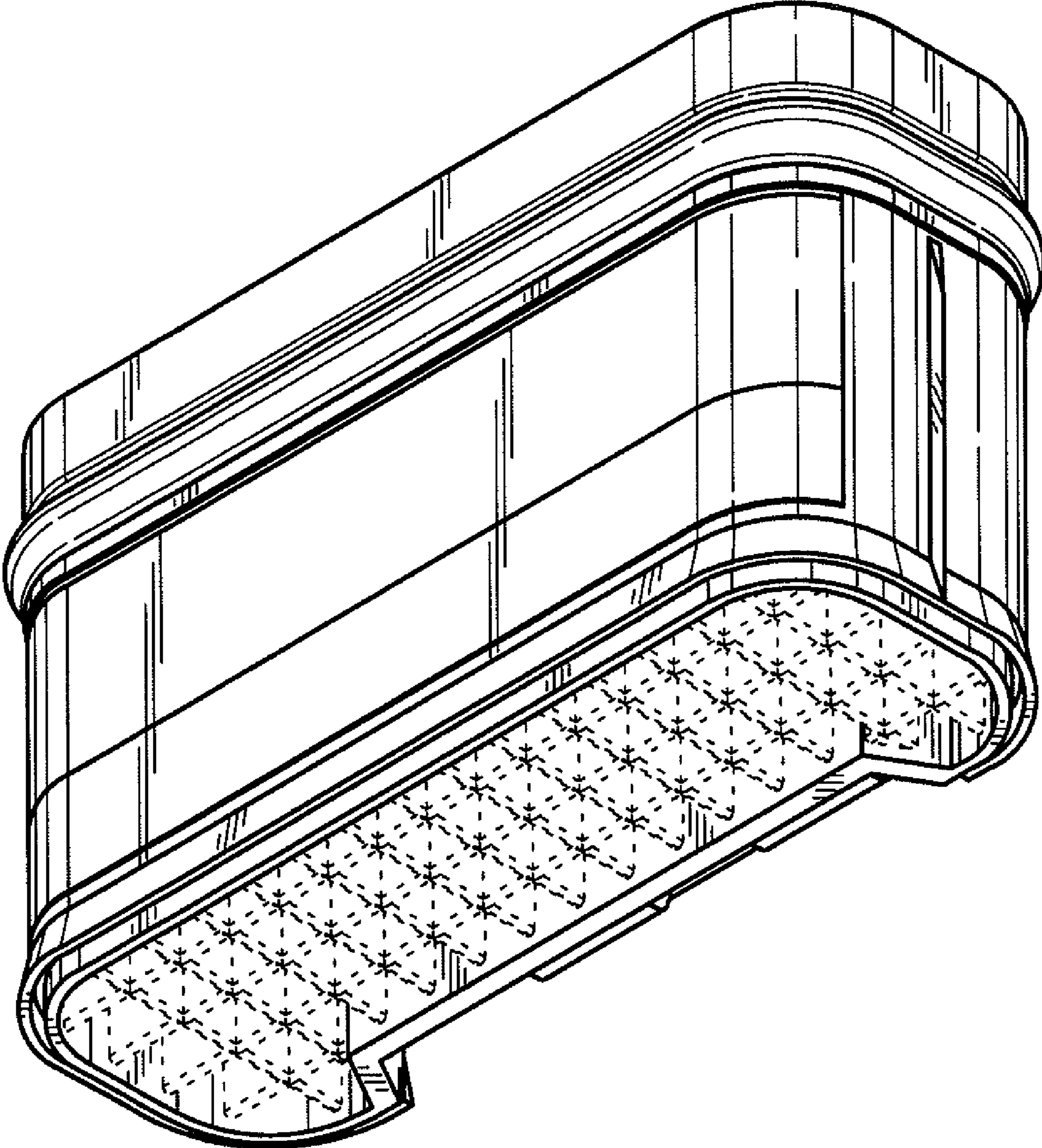


FIG. 3

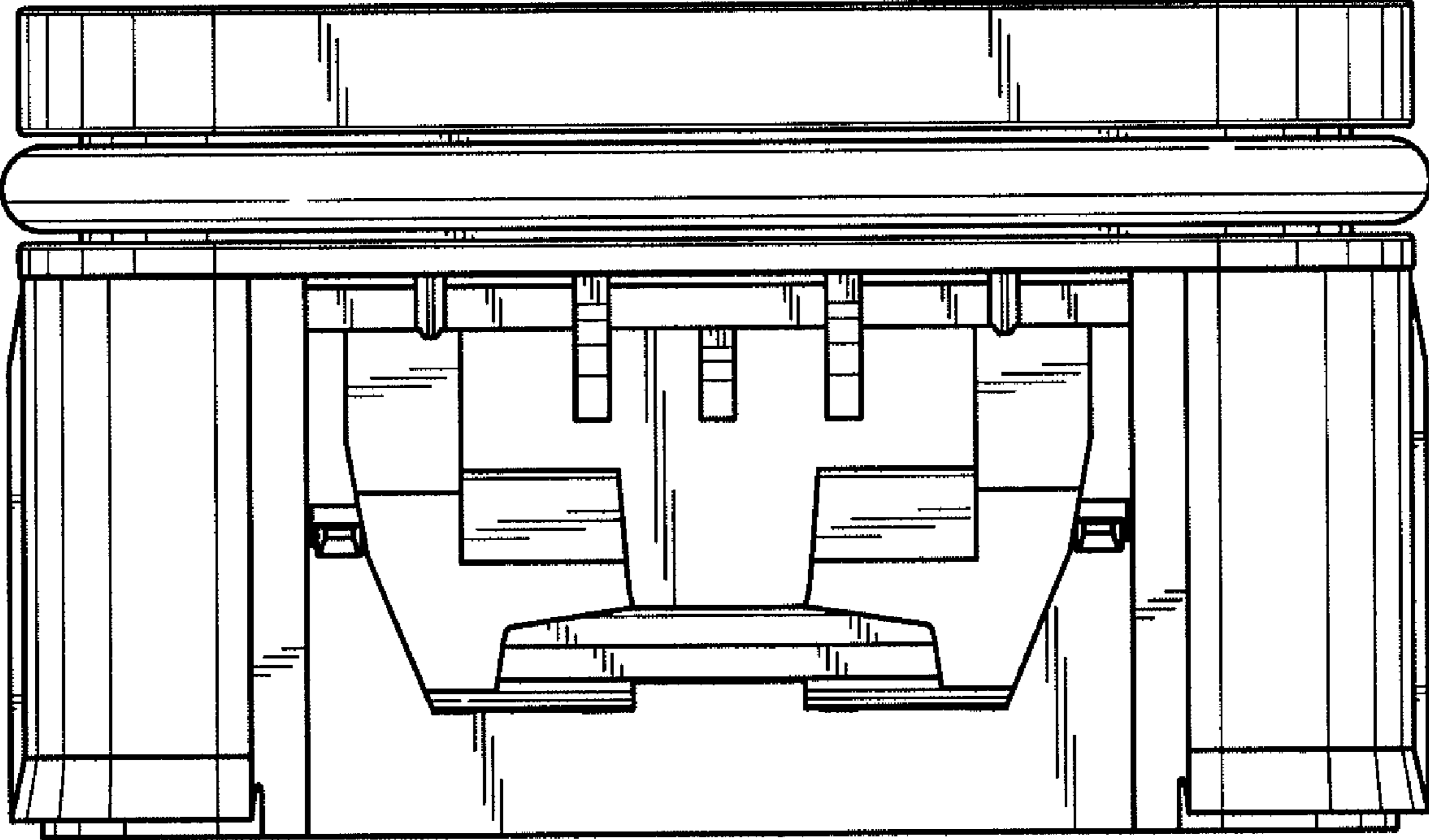


FIG. 4

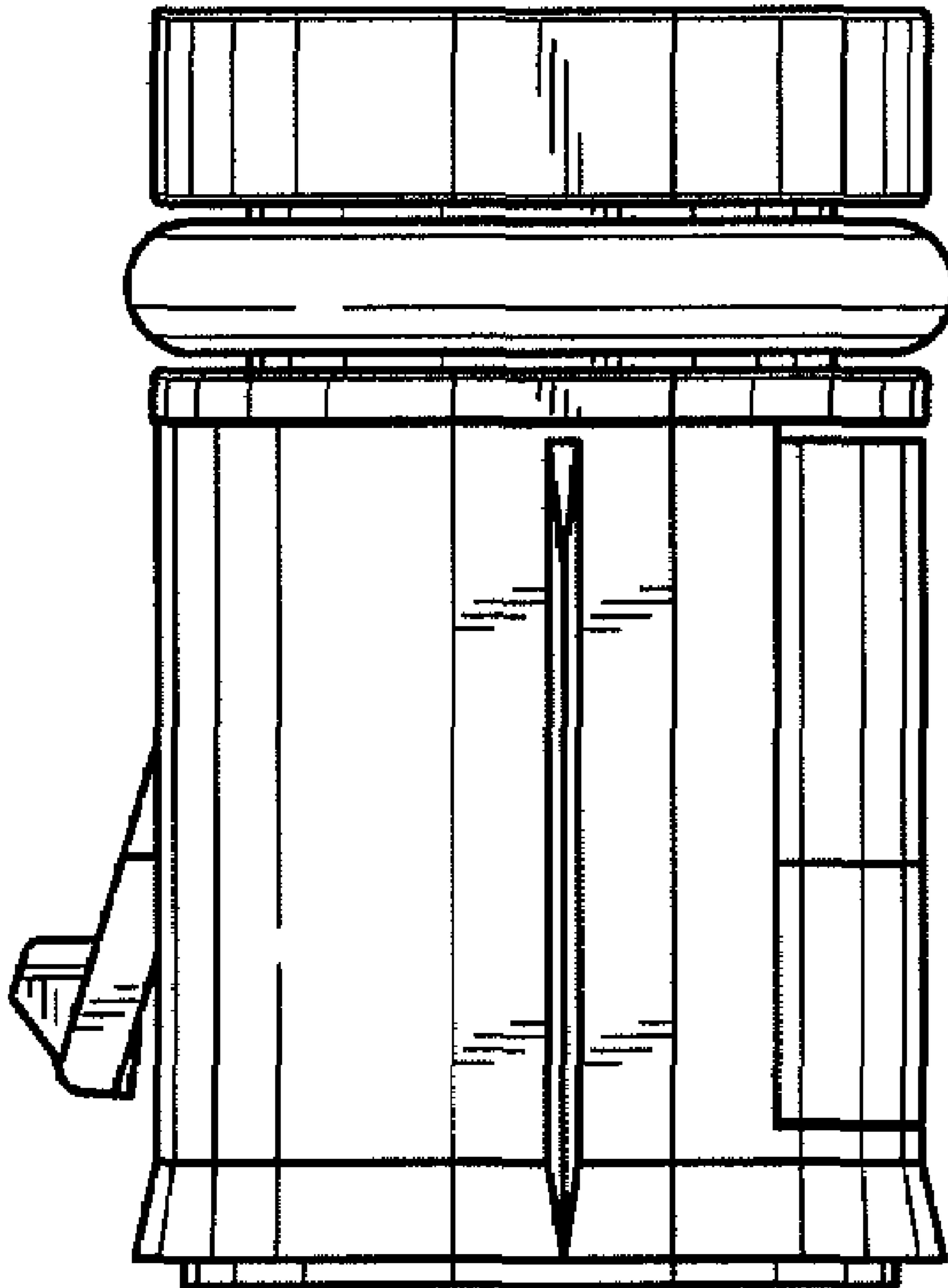


FIG. 5

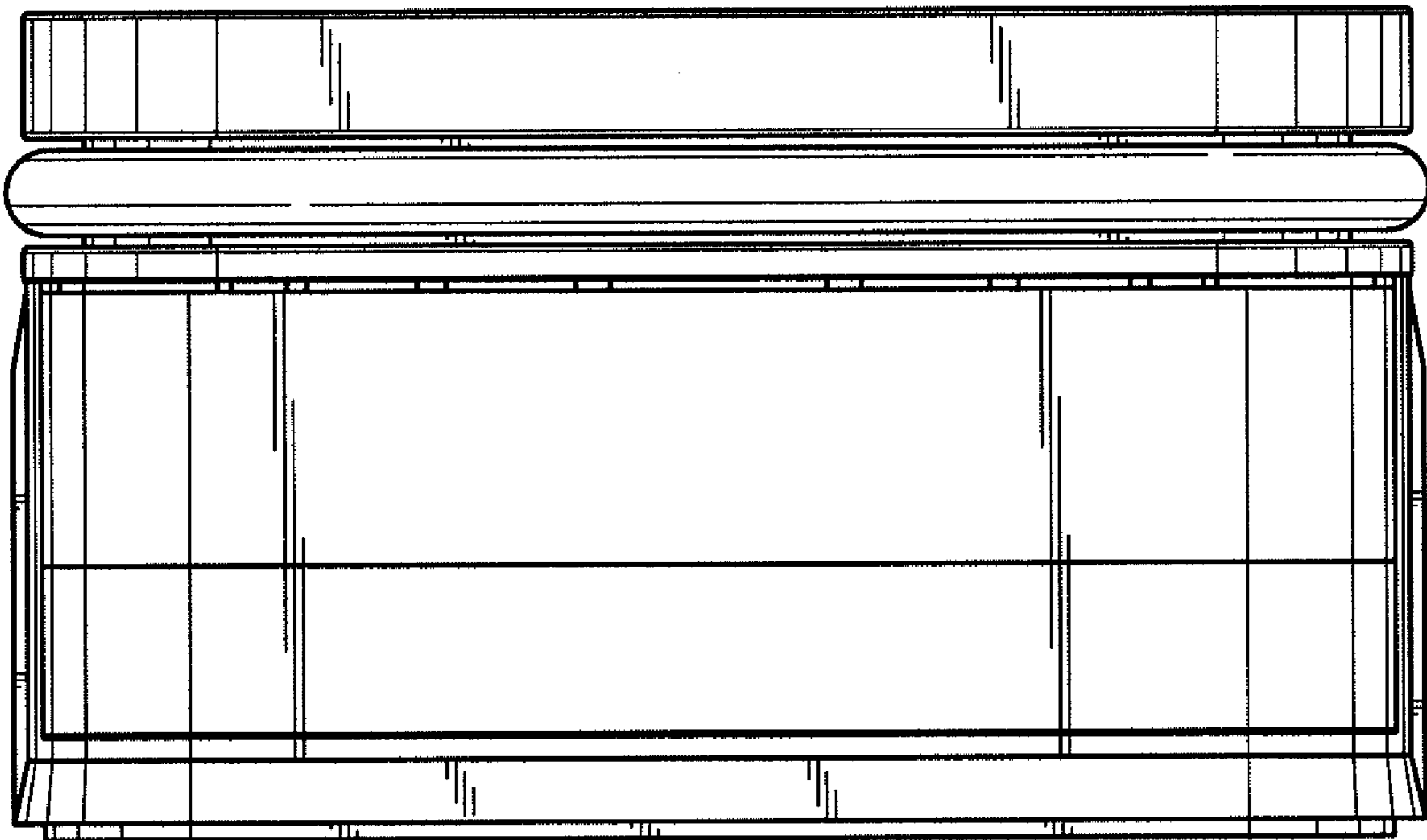


FIG. 6

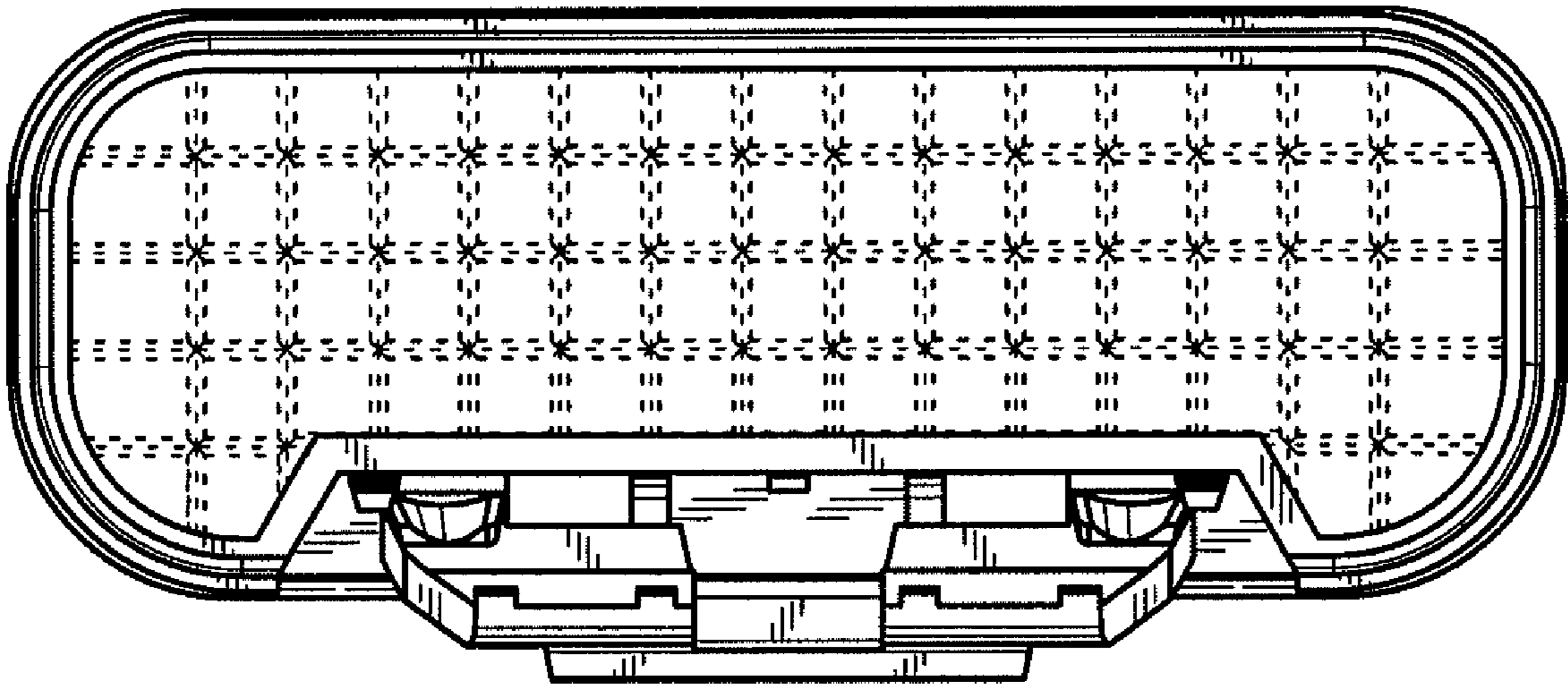


FIG. 7

