



US00D609784S

(12) **United States Design Patent**
Grether

(10) **Patent No.:** **US D609,784 S**
(45) **Date of Patent:** **** Feb. 9, 2010**

(54) **FLOW REGULATOR**

(75) Inventor: **Hermann Grether**, Mullheim (DE)

(73) Assignee: **Neoperl GmbH**, Mullheim (DE)

(**) Term: **14 Years**

(21) Appl. No.: **29/341,407**

(22) Filed: **Aug. 5, 2009**

Related U.S. Application Data

(62) Division of application No. 29/332,608, filed on Feb. 20, 2009.

Foreign Application Priority Data

| | | |
|---------------|------|----------------|
| Aug. 27, 2008 | (EM) | 000992797-0004 |
| Aug. 27, 2008 | (EM) | 000992797-0009 |
| Aug. 27, 2008 | (EM) | 000992797-0010 |
| Aug. 27, 2008 | (EM) | 000992797-0021 |
| Aug. 27, 2008 | (EM) | 000992797-0022 |
| Aug. 27, 2008 | (EM) | 000992797-0040 |
| Aug. 27, 2008 | (EM) | 000992797-0044 |
| Aug. 27, 2008 | (EM) | 000992797-0048 |

(51) **LOC (9) Cl.** **23-01**

(52) **U.S. Cl.** **D23/249**

(58) **Field of Classification Search** D23/213,
D23/235-237, 244-249, 259, 260; 138/37,
138/40-42; 239/428.5, 552, 553, 553.5,
239/3; 261/DIG. 22

See application file for complete search history.

(56) **References Cited**

U.S. PATENT DOCUMENTS

| | | |
|------------|---------|---------|
| D533,923 S | 12/2006 | Grether |
| D536,066 S | 1/2007 | Grether |
| D536,067 S | 1/2007 | Grether |

| | | | |
|--------------|--------|---------|---------------|
| D536,069 S | 1/2007 | Grether | |
| D536,424 S * | 2/2007 | Grether | D23/249 |
| D539,390 S | 3/2007 | Grether | |
| D539,872 S | 4/2007 | Grether | |
| D539,873 S | 4/2007 | Grether | |
| D550,818 S * | 9/2007 | Grether | D23/249 |
| D570,961 S * | 6/2008 | Grether | D23/249 |
| D584,801 S | 1/2009 | Grether | |
| D591,403 S | 4/2009 | Grether | |

* cited by examiner

Primary Examiner—Cathron C Brooks

Assistant Examiner—Maurice Stevens

(74) *Attorney, Agent, or Firm*—Volpe and Koenig, P.C.

(57) **CLAIM**

The ornamental design for a flow regulator, as shown and described.

DESCRIPTION

FIG. 1 is a top-front perspective view of a first embodiment of a flow regulator in accordance with our design;

FIG. 2 is a bottom-rear perspective view thereof;

FIG. 3 is a top plan view thereof;

FIG. 4 is a bottom view thereof; and

FIG. 5 is a side elevational view thereof;

FIG. 6 is a top-front perspective view of a second embodiment of a flow regulator in accordance with our design;

FIG. 7 is a bottom-rear perspective view thereof;

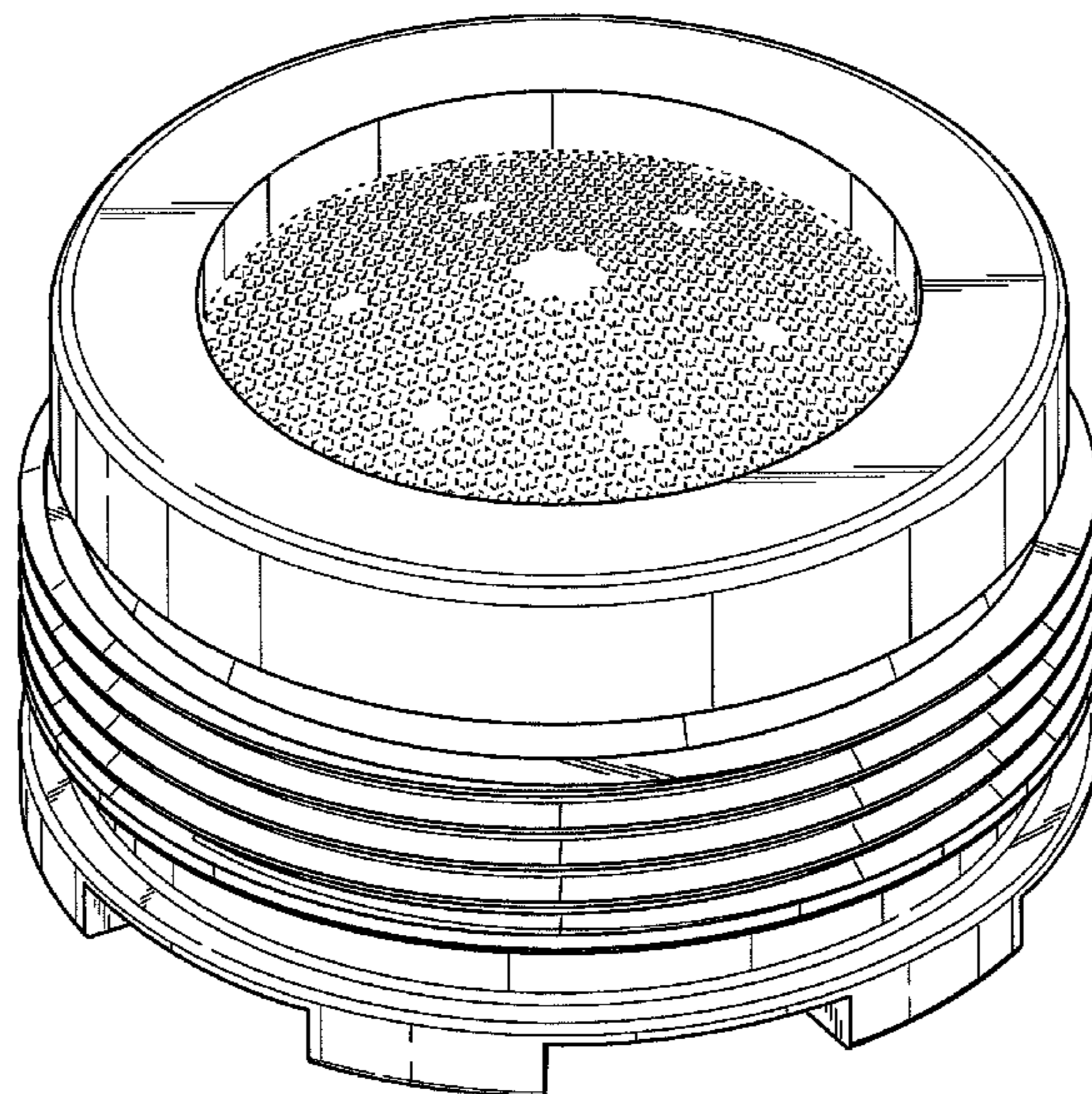
FIG. 8 is a top plan view thereof;

FIG. 9 is a bottom view thereof; and,

FIG. 10 is a side elevational view thereof.

The broken lines illustrated form no part of the claimed design.

1 Claim, 10 Drawing Sheets



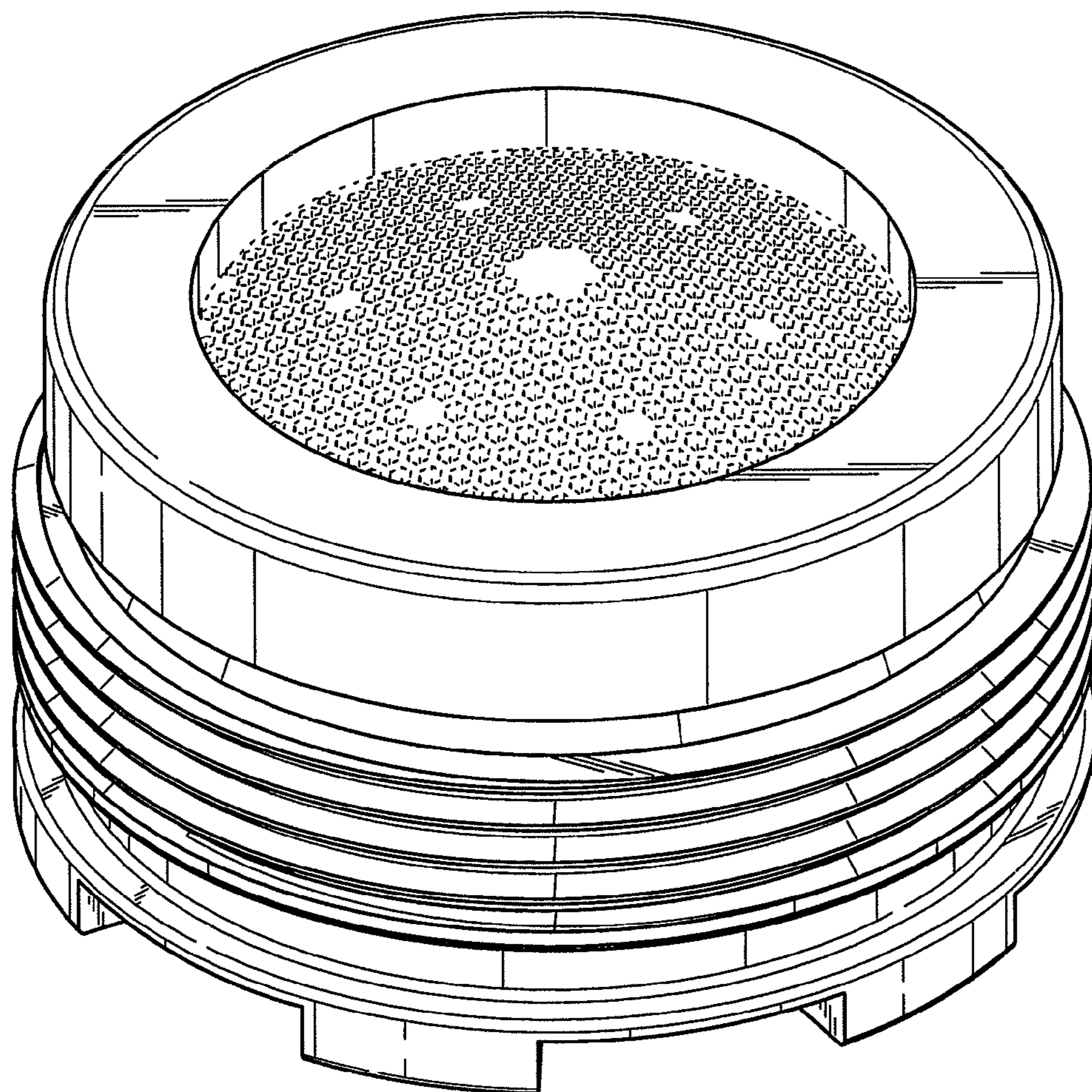


Fig. 1

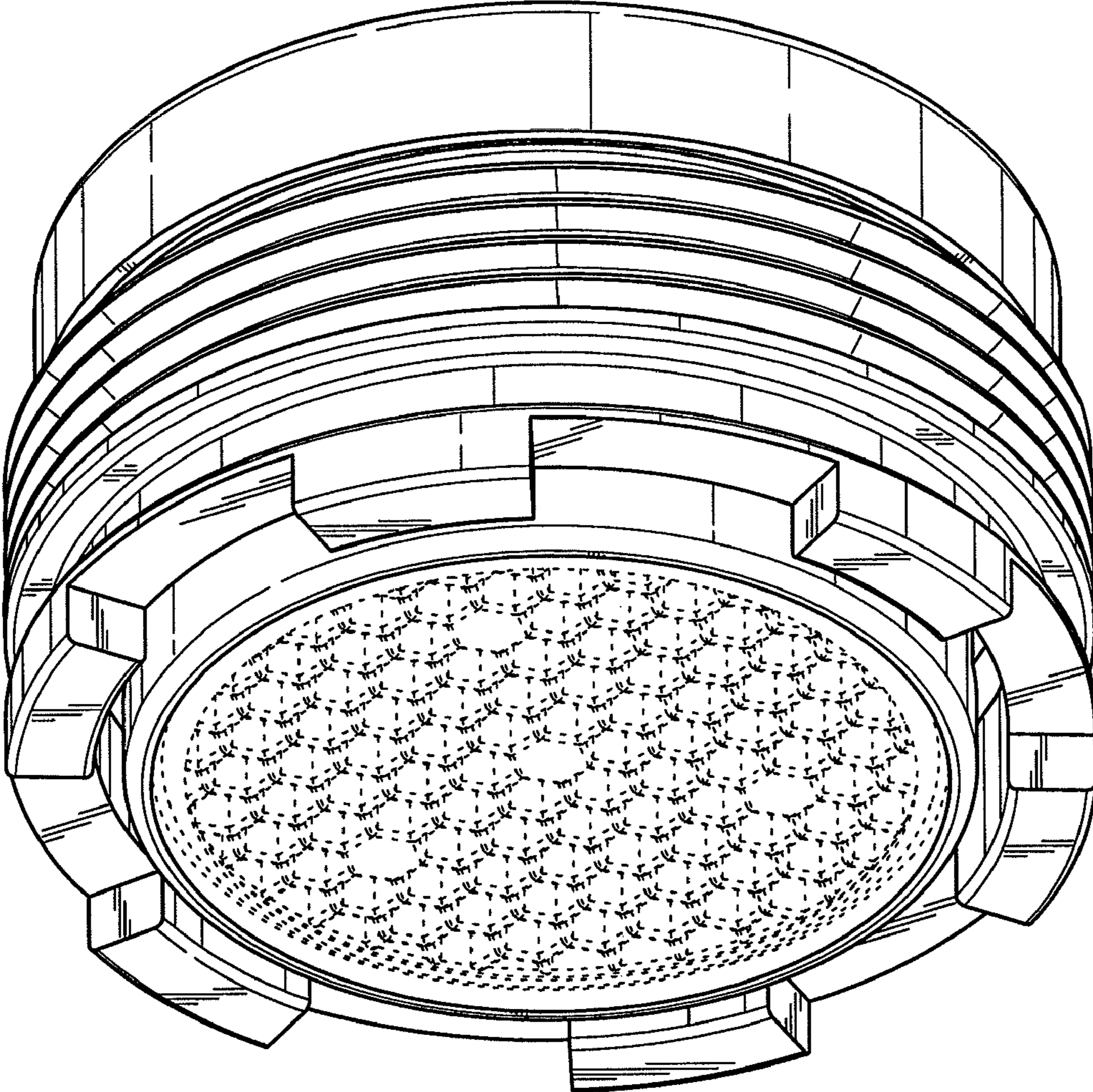


Fig. 2

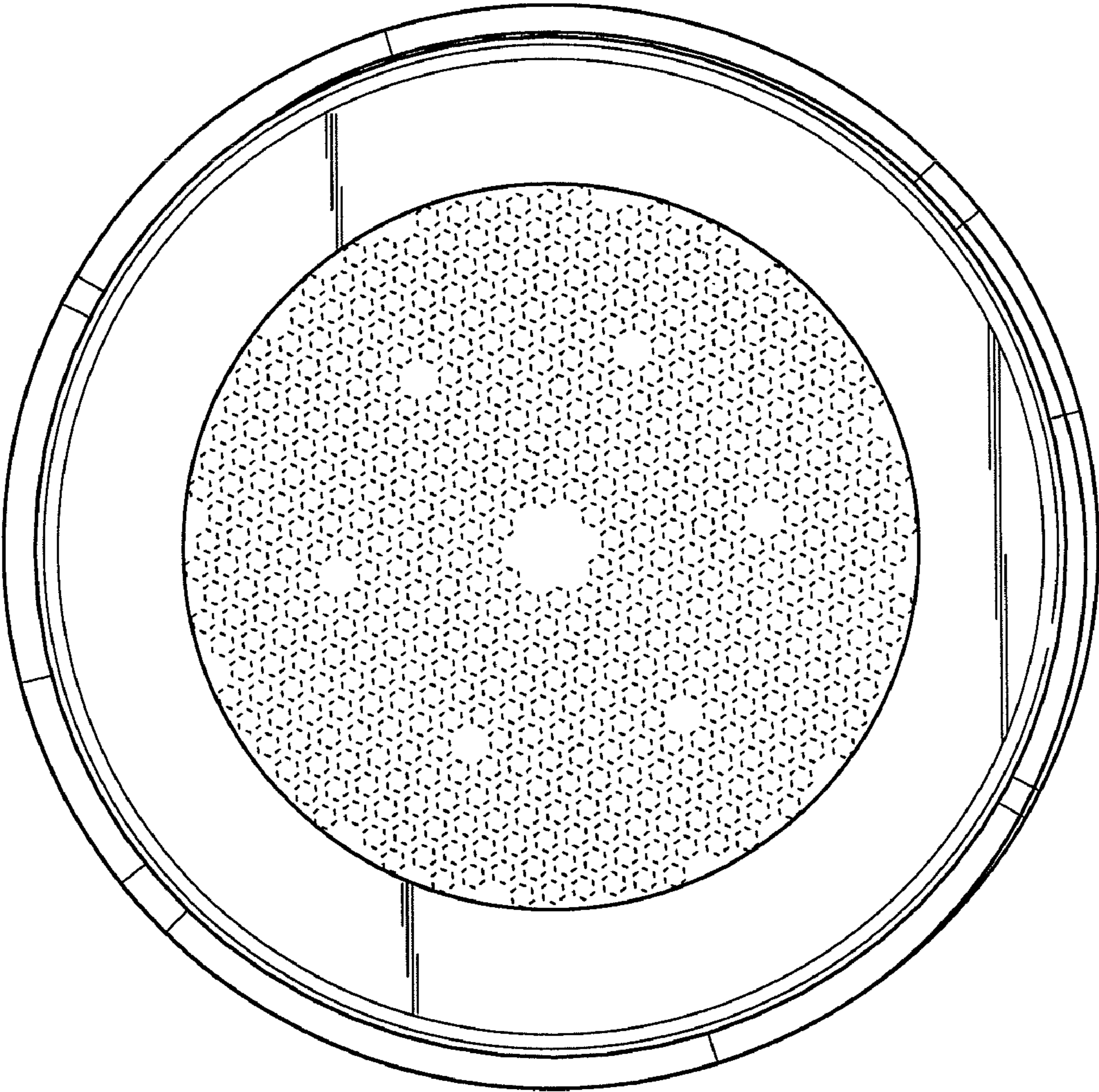


Fig. 3

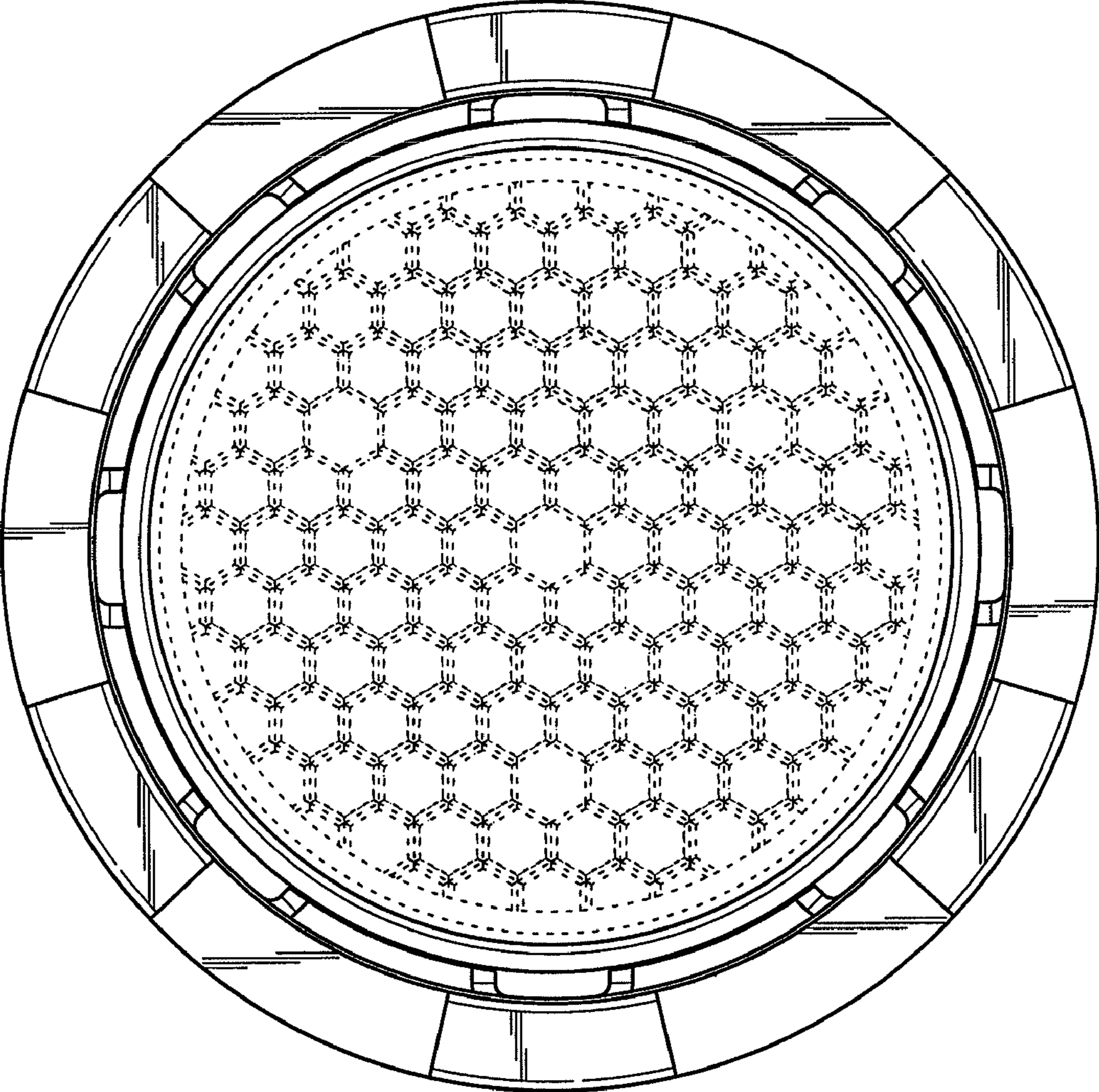


Fig. 4

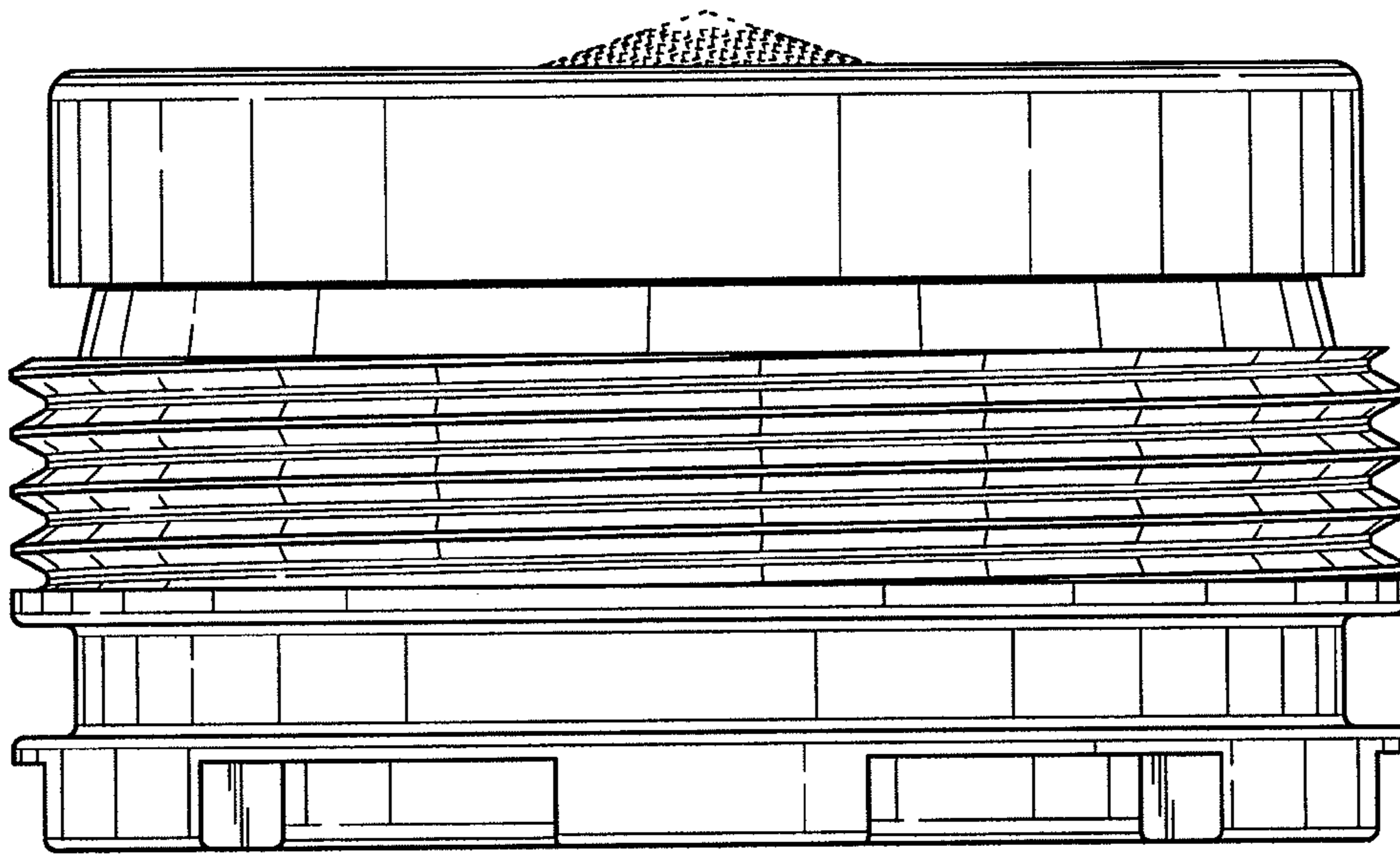


Fig. 5

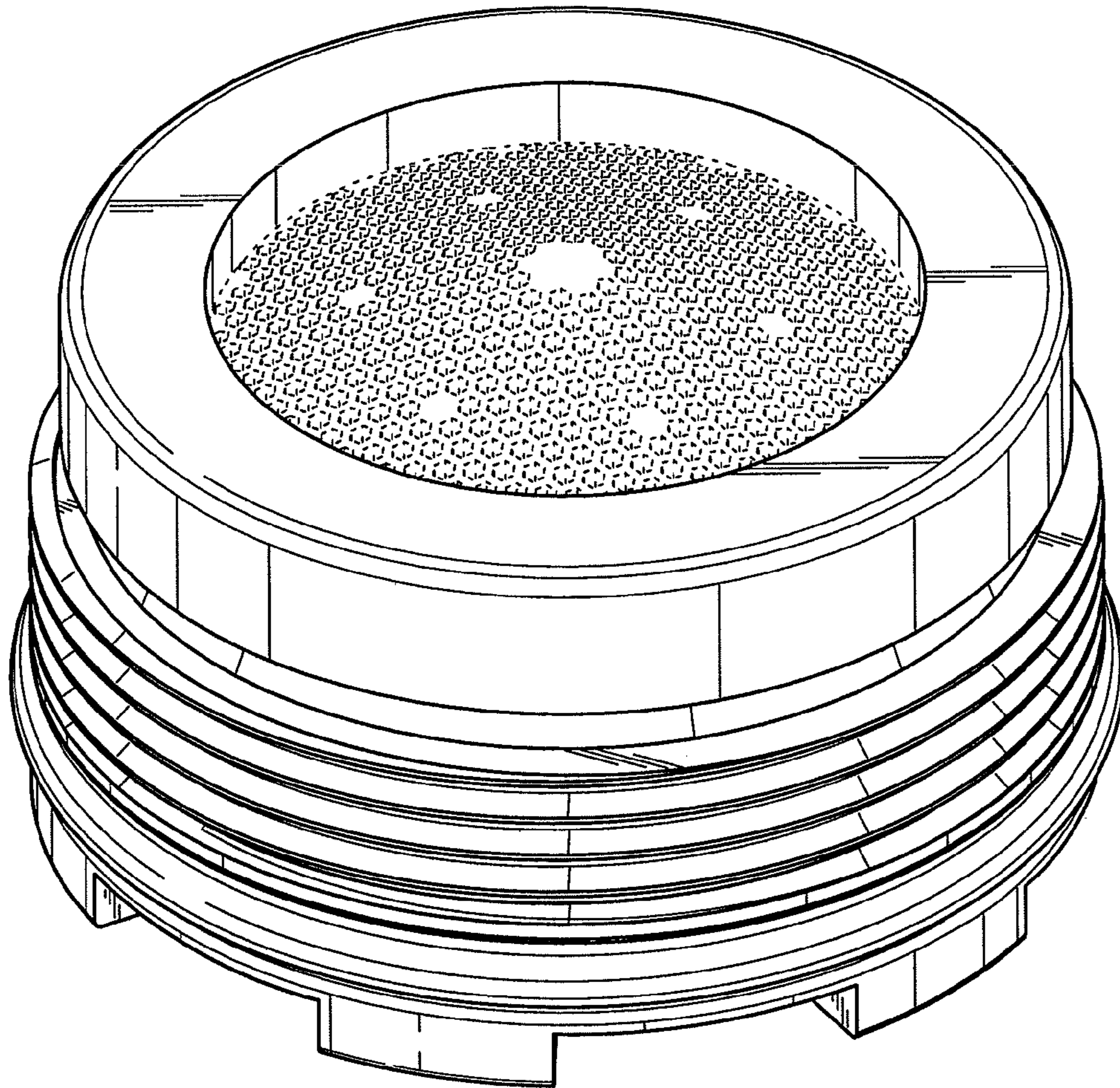


Fig. 6

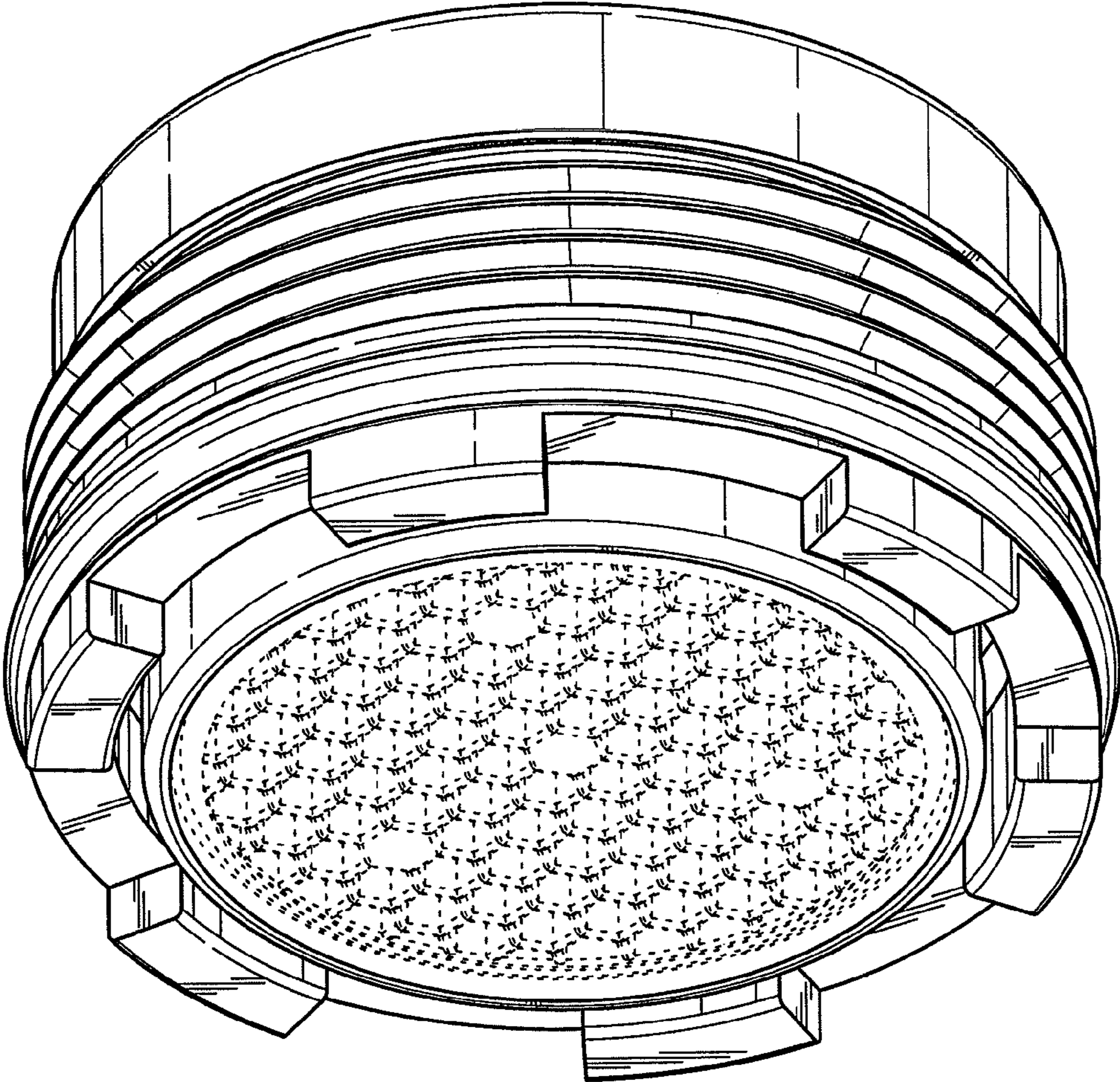


Fig. 7

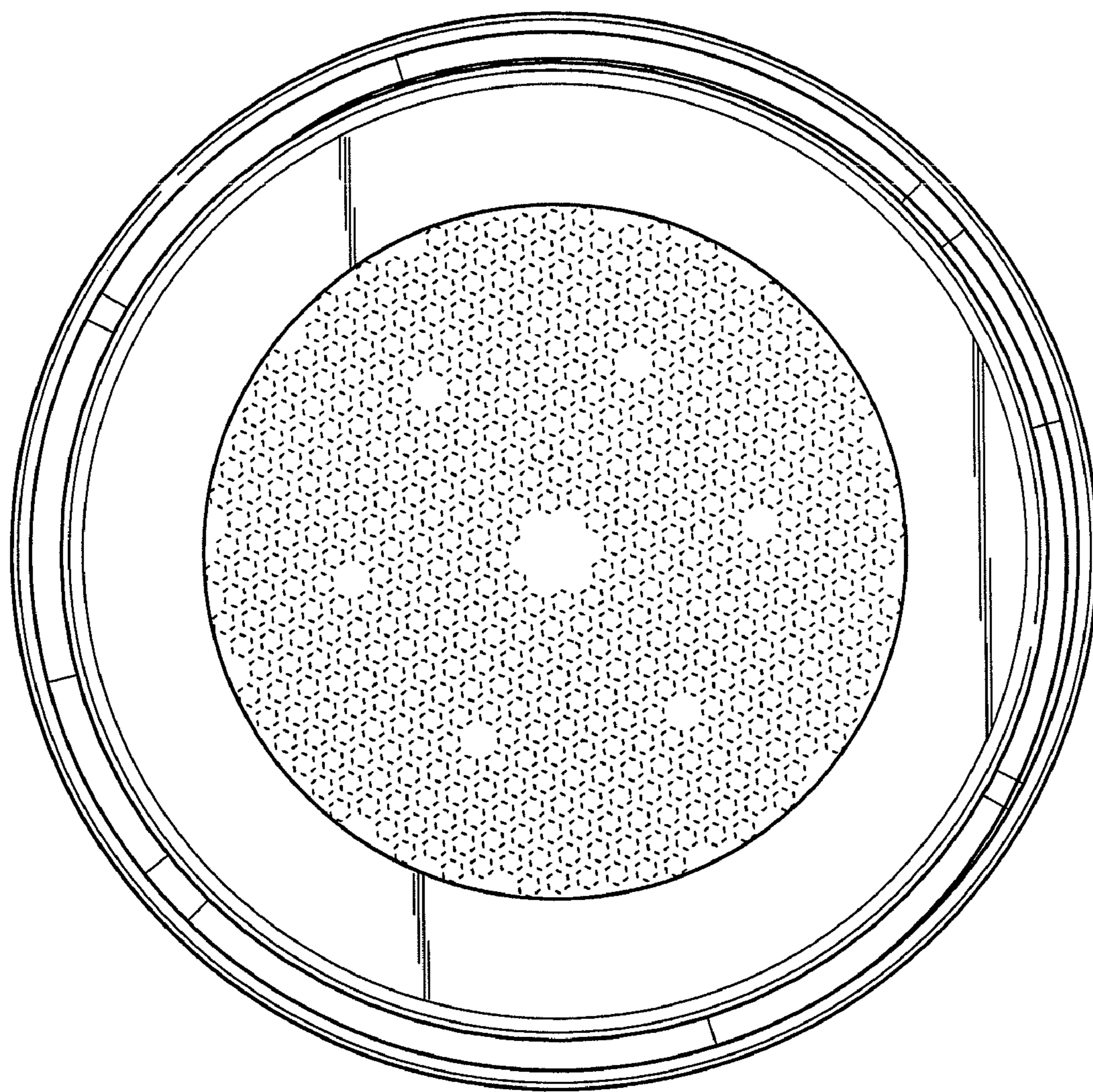


Fig. 8

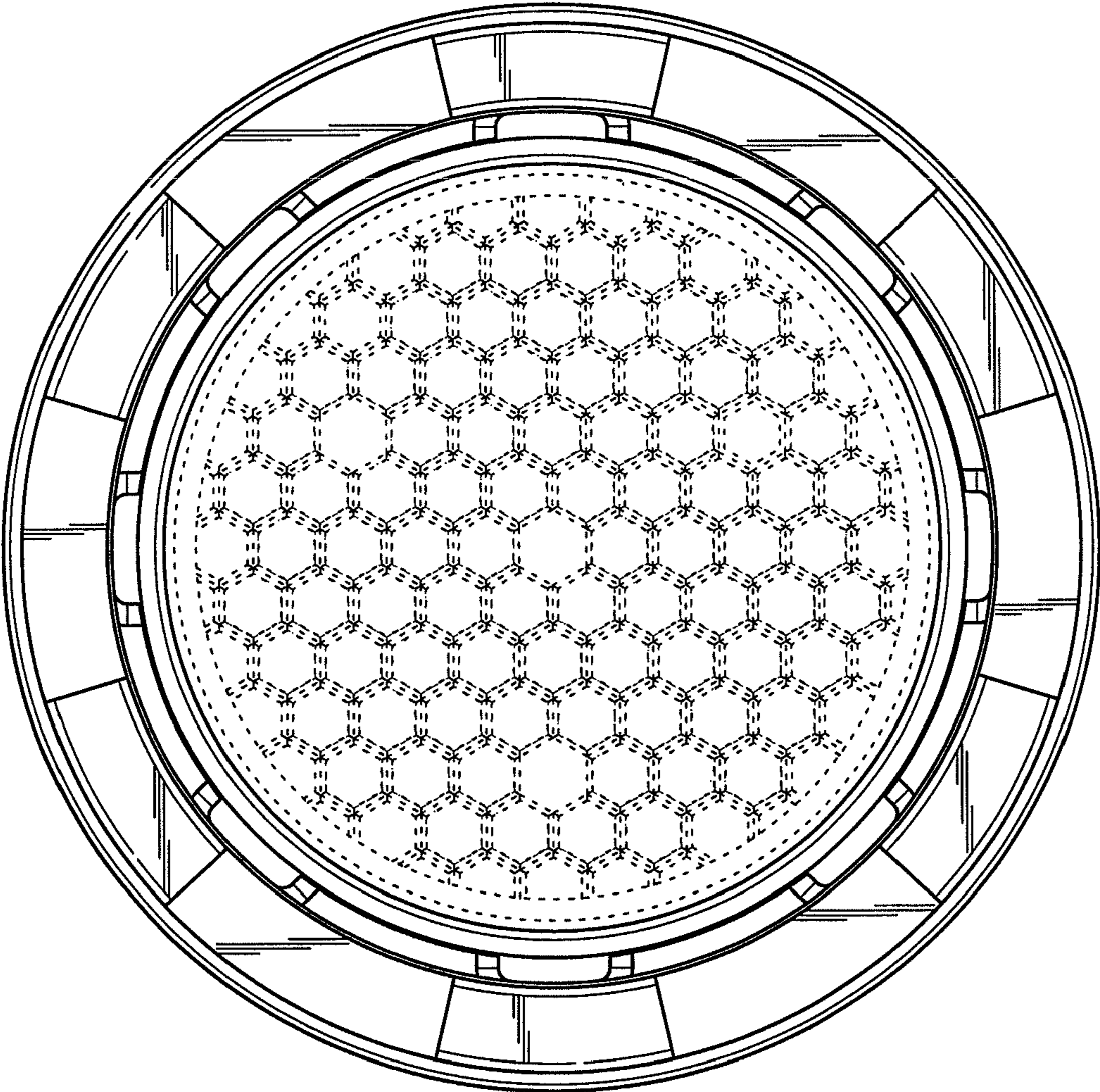


Fig. 9

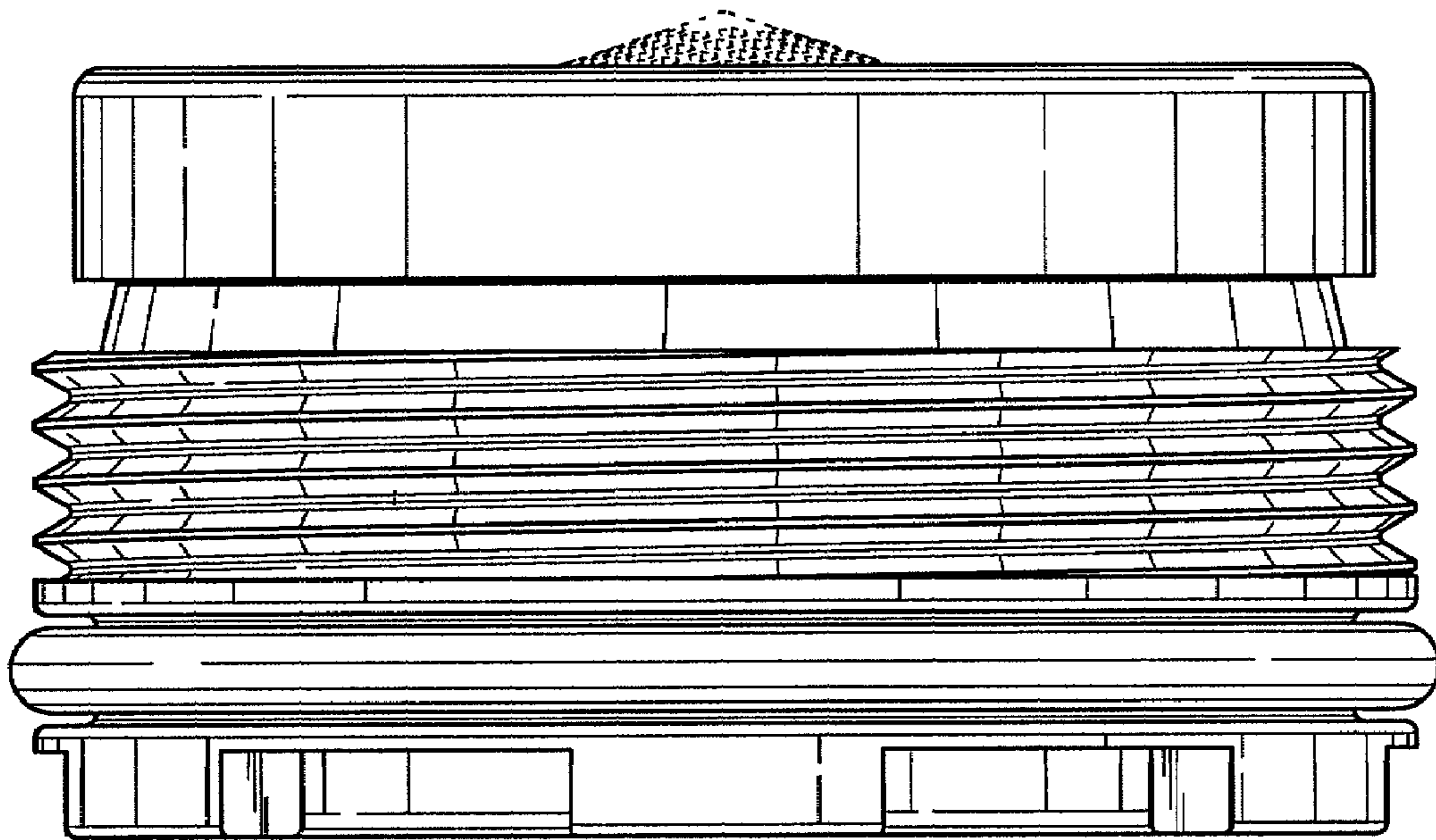


Fig. 10