



US00D609781S

(12) **United States Design Patent**
Stadtler

(10) **Patent No.:** **US D609,781 S**

(45) **Date of Patent:** **** Feb. 9, 2010**

(54) **FLAT FLOW REGULATOR**

(75) Inventor: **Georg Stadtler**, Mulheim-Vogisheim
(DE)

(73) Assignee: **Neoper1 GmbH**, Mullheim (DE)

(**) Term: **14 Years**

(21) Appl. No.: **29/302,159**

(22) Filed: **Jan. 11, 2008**

(30) **Foreign Application Priority Data**

Aug. 6, 2007 (EP) 000769963

(51) **LOC (9) Cl.** **23-01**

(52) **U.S. Cl.** **D23/249**

(58) **Field of Classification Search** D23/209,
D23/213, 235-237, 244-249, 257, 260, 261,
D23/354, 370, 385-389, 393, 397; D25/153,
D25/156; 454/275-277, 284, 287-291, 309;
404/2, 4; 138/37, 40-42; 239/3, 428.5, 533.1,
239/552, 553, 553.5; 261/DIG. 22

See application file for complete search history.

(56) **References Cited**

U.S. PATENT DOCUMENTS

D462,757 S * 9/2002 Pettit D23/388

D581,487 S * 11/2008 Wildfang D23/249
D602,567 S * 10/2009 Stadtler D23/235
2006/0239773 A1* 10/2006 Meyers 404/2

* cited by examiner

Primary Examiner—Cathron C. Brooks

Assistant Examiner—Maurice Stevens

(74) *Attorney, Agent, or Firm*—Volpe and Koenig, P.C.

(57) **CLAIM**

The ornamental design for a flat flow regulator, as shown and described.

DESCRIPTION

FIG. 1 is a bottom front left perspective view of a flow regulator according to my design;

FIG. 2 is a top right front perspective view thereof;

FIG. 3 is a front elevational view thereof;

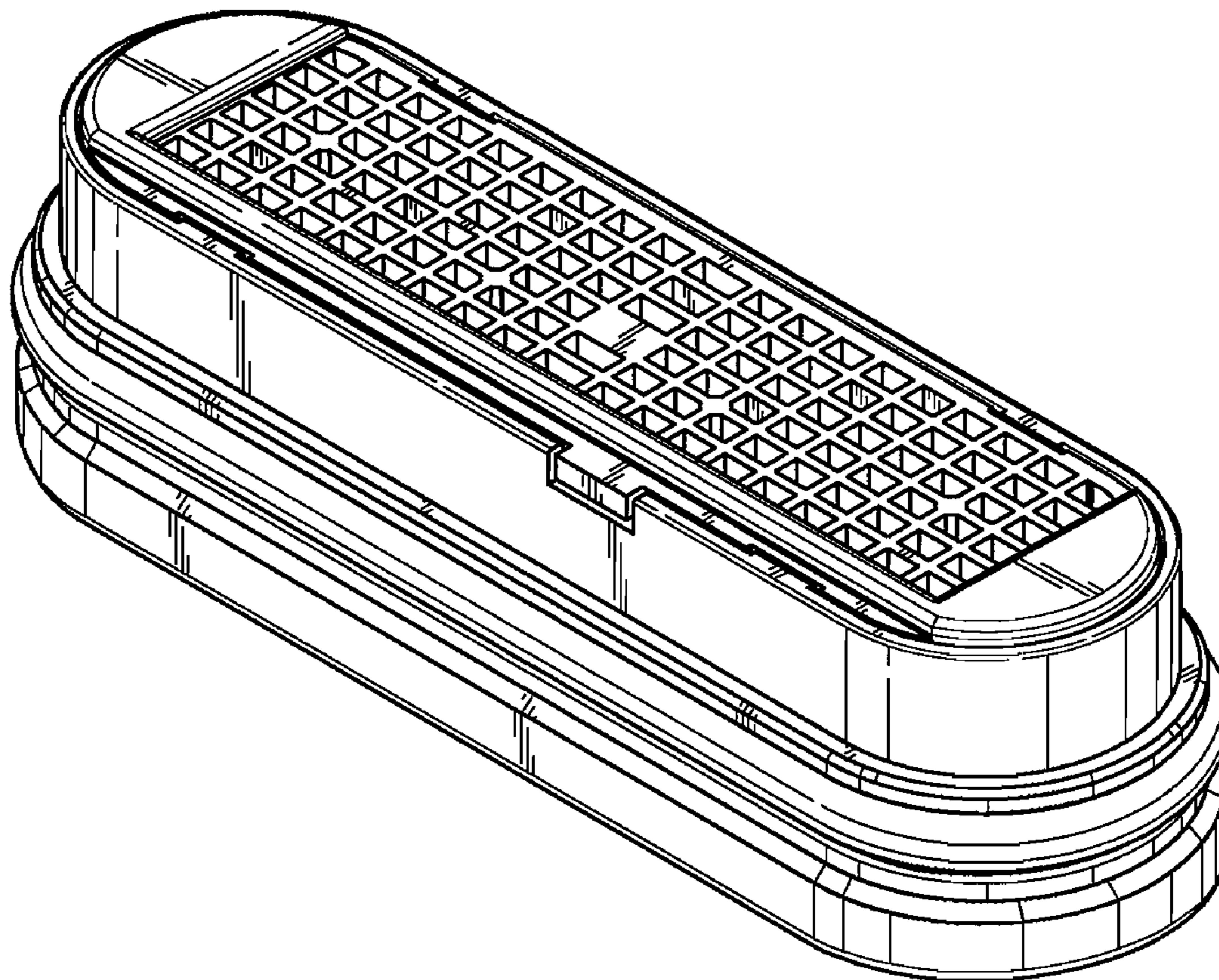
FIG. 4 is a right side elevational view thereof, with the left side elevational view being a mirror image thereof;

FIG. 5 is a bottom plan view thereof;

FIG. 6 is a top plan view thereof; and,

FIG. 7 is a rear elevational view thereof.

1 Claim, 3 Drawing Sheets



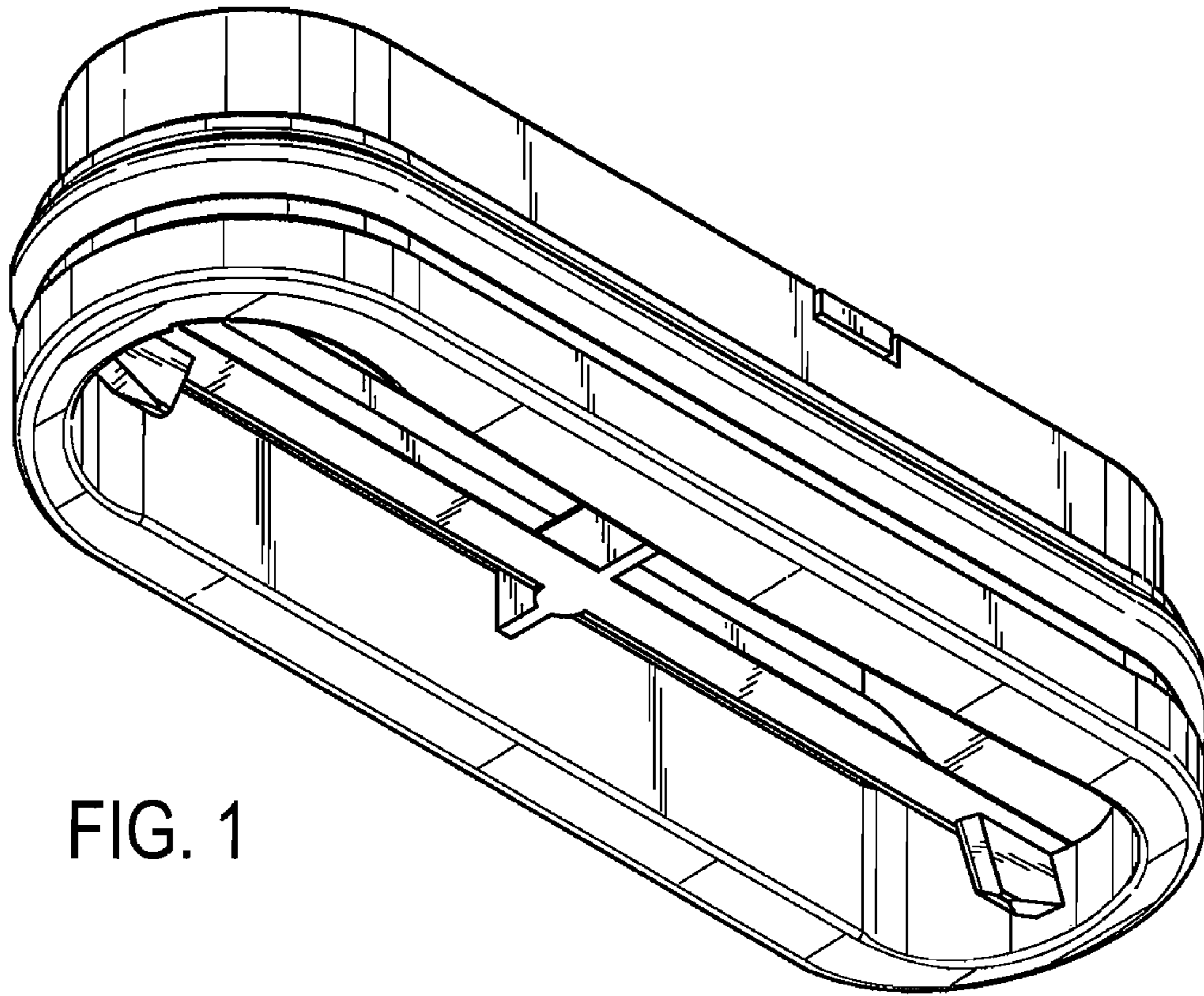


FIG. 1

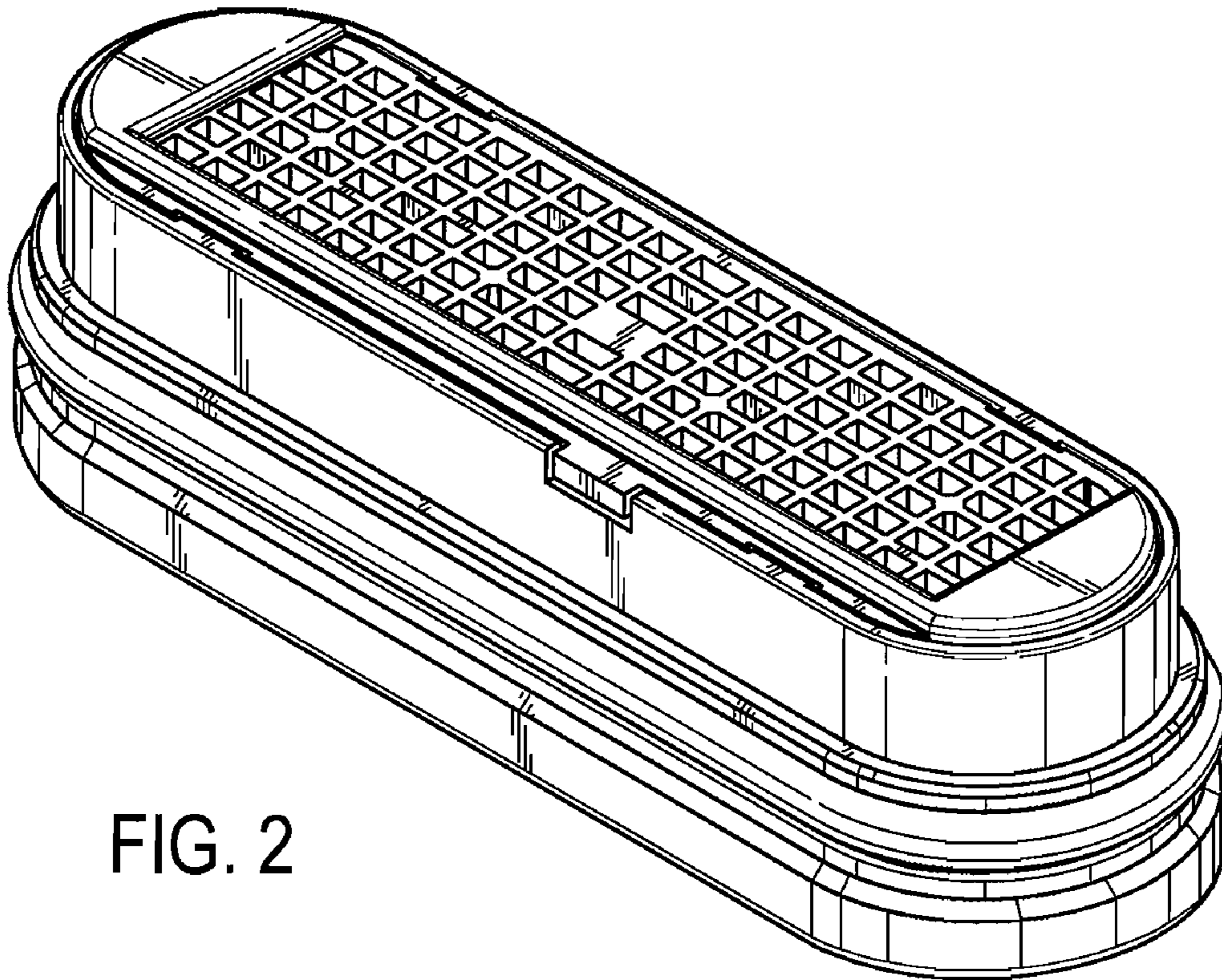


FIG. 2

FIG. 4

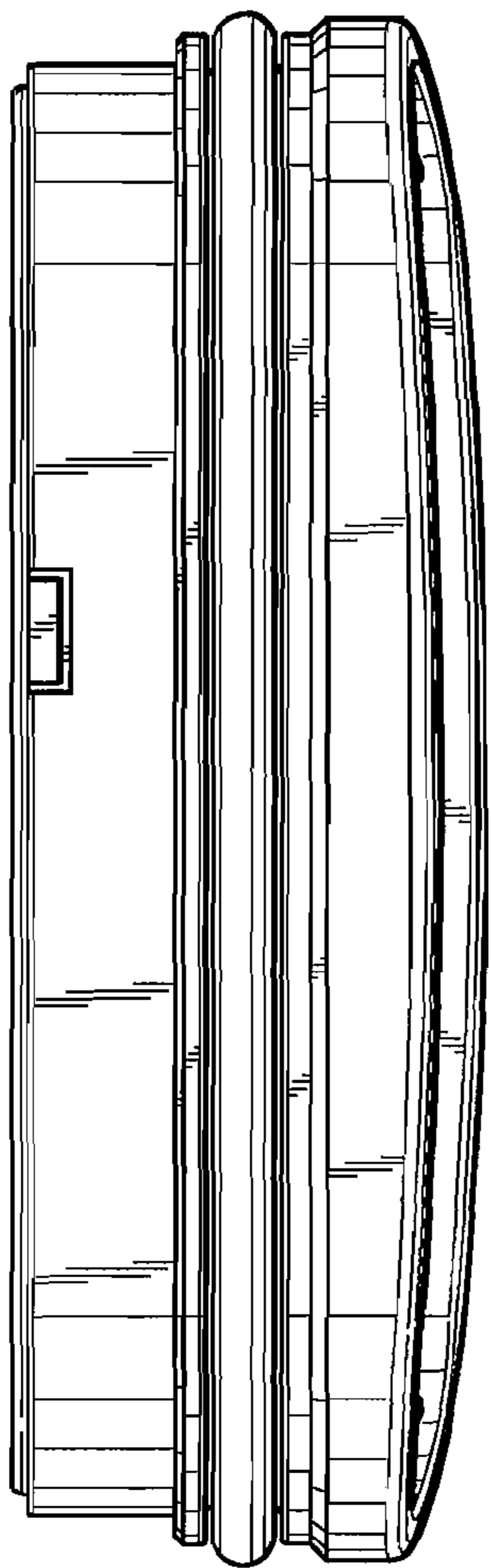
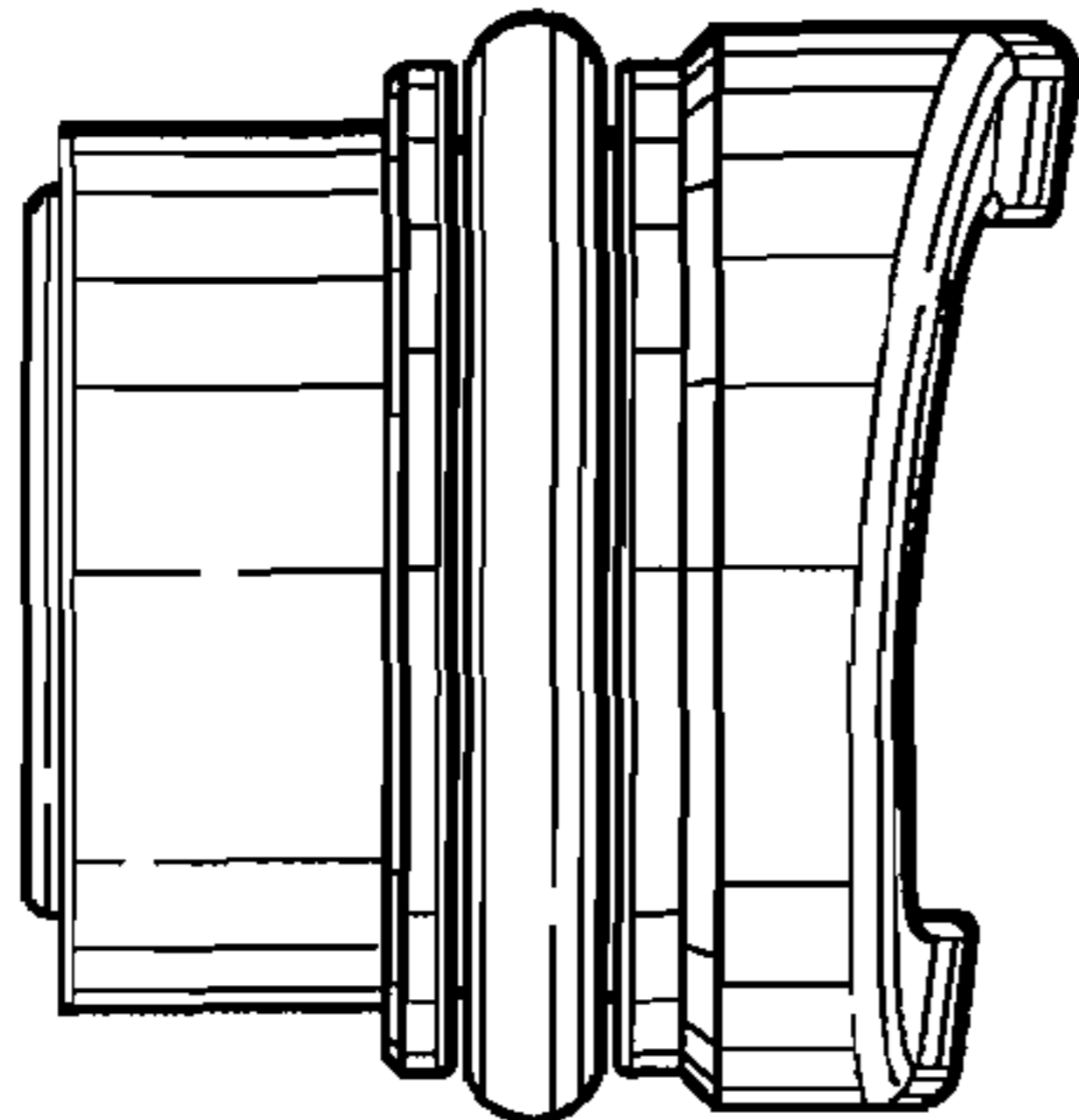


FIG. 3

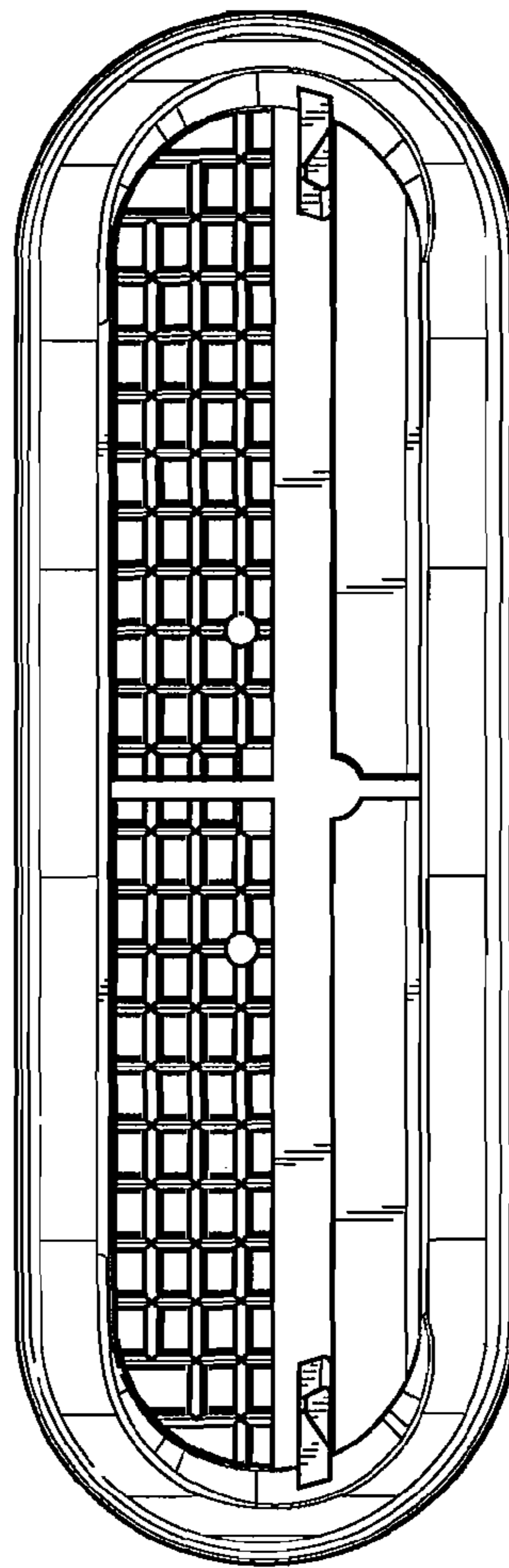


FIG. 5

FIG. 6

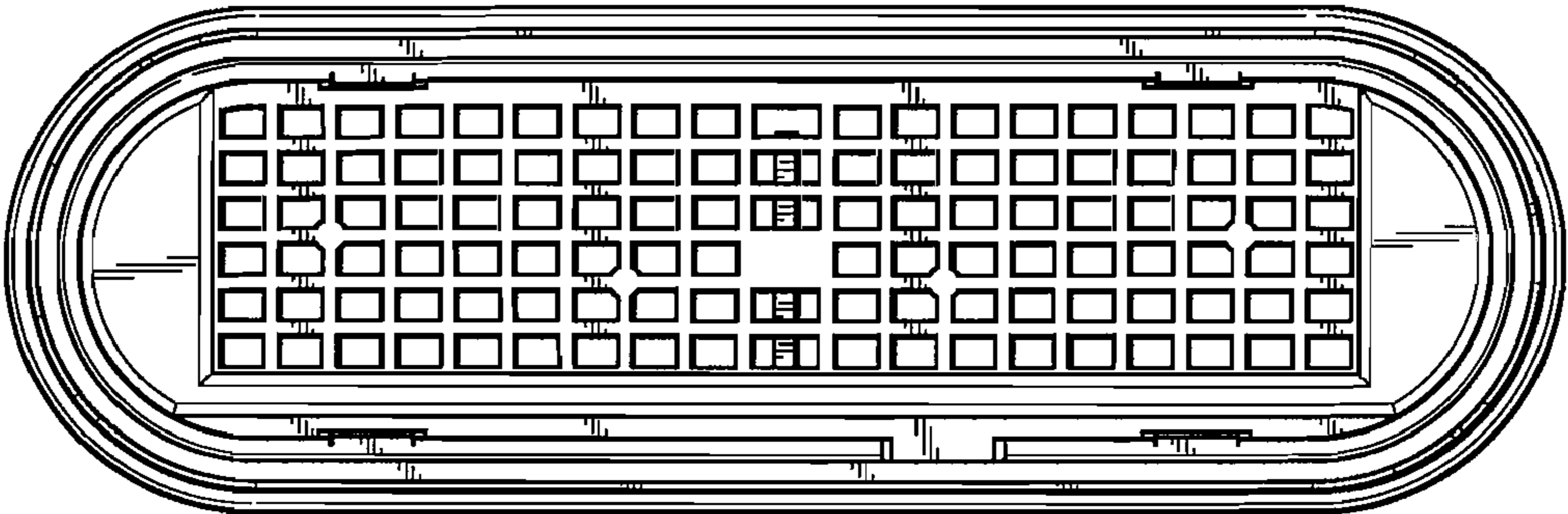


FIG. 7

