

US00D609778S

(12) **United States Design Patent**
Woodgate

(10) **Patent No.:** **US D609,778 S**

(45) **Date of Patent:** **** Feb. 9, 2010**

(54) **SPRAY GUN**

D554,232 S * 10/2007 Nathan et al. D23/225

(75) Inventor: **Sarah Jane Woodgate**, Tonbridge (GB)

* cited by examiner

(73) Assignee: **Earlex Limited**, Surrey (GB)

Primary Examiner—Robin V Webster

(**) Term: **14 Years**

(74) *Attorney, Agent, or Firm*—Lambert & Associates; Adam J. Bruno; Gary E. Lambert

(21) Appl. No.: **29/314,079**

(57) **CLAIM**

(22) Filed: **Mar. 3, 2009**

The ornamental design for a spray gun, as shown and described.

(51) **LOC (9) Cl.** **23-01**

(52) **U.S. Cl.** **D23/225**

(58) **Field of Classification Search** D23/213,
D23/225; 239/310, 373, 337, 332–333, 152–154
See application file for complete search history.

DESCRIPTION

FIG. 1 is a front isometric view of an improved spray gun;
FIG. 2 is a rear isometric view of the spray gun;
FIG. 3 is a front view of the spray gun;
FIG. 4 is a back view of the spray gun;
FIG. 5 is a left side view of the spray gun;
FIG. 6 is a right side view of the spray gun;
FIG. 7 is a top view of the spray gun; and,
FIG. 8 is a bottom view of the spray gun.

(56) **References Cited**

U.S. PATENT DOCUMENTS

2,610,091	A *	9/1952	Deutsch	222/325
5,050,804	A *	9/1991	Svendsen et al.	239/296
5,119,992	A *	6/1992	Grime	239/364
D331,095	S *	11/1992	Steinberg	D23/225
D503,214	S *	3/2005	Stevens et al.	D23/225
D519,603	S *	4/2006	Schumann et al.	D23/225

1 Claim, 8 Drawing Sheets

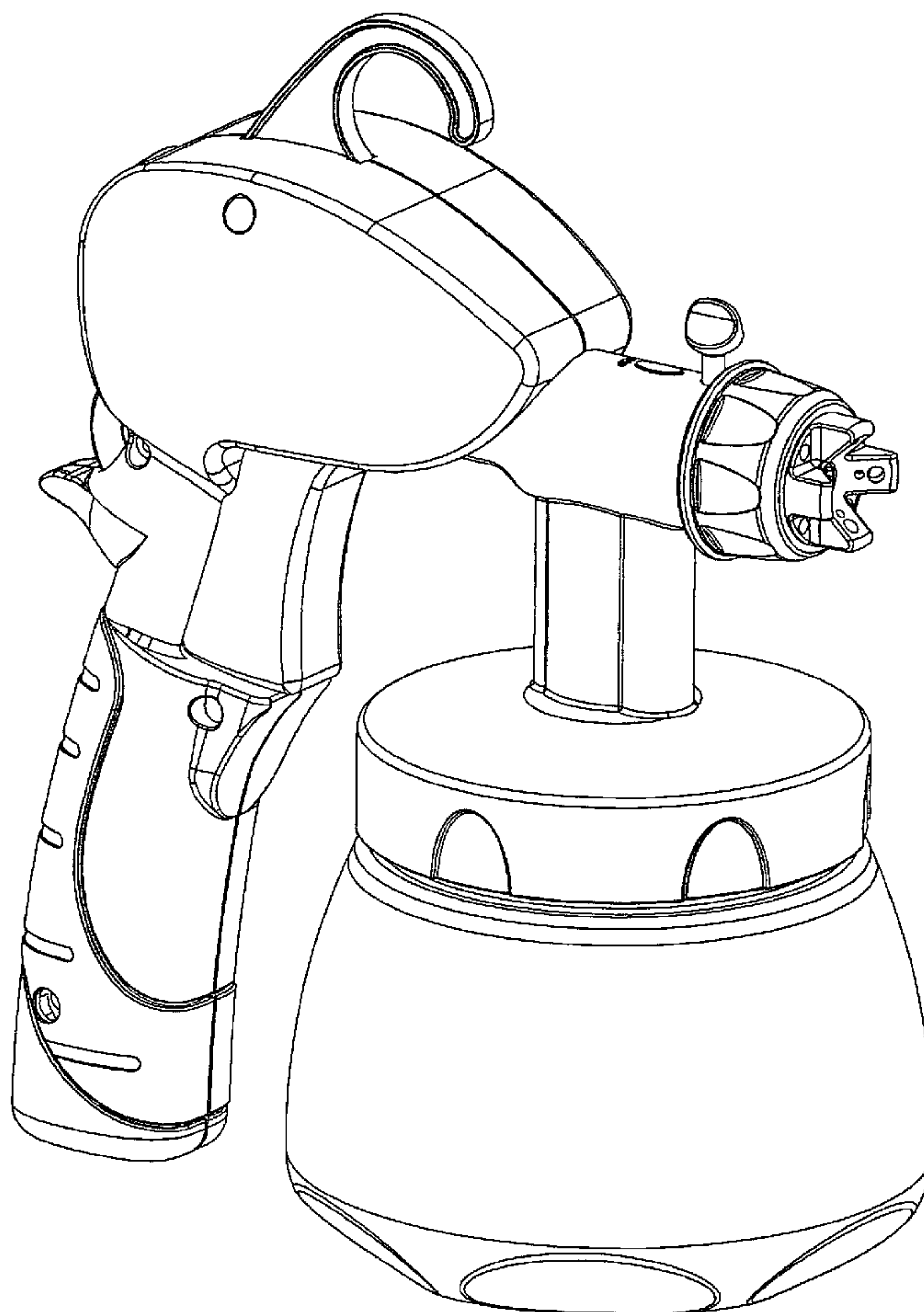


FIG. 1

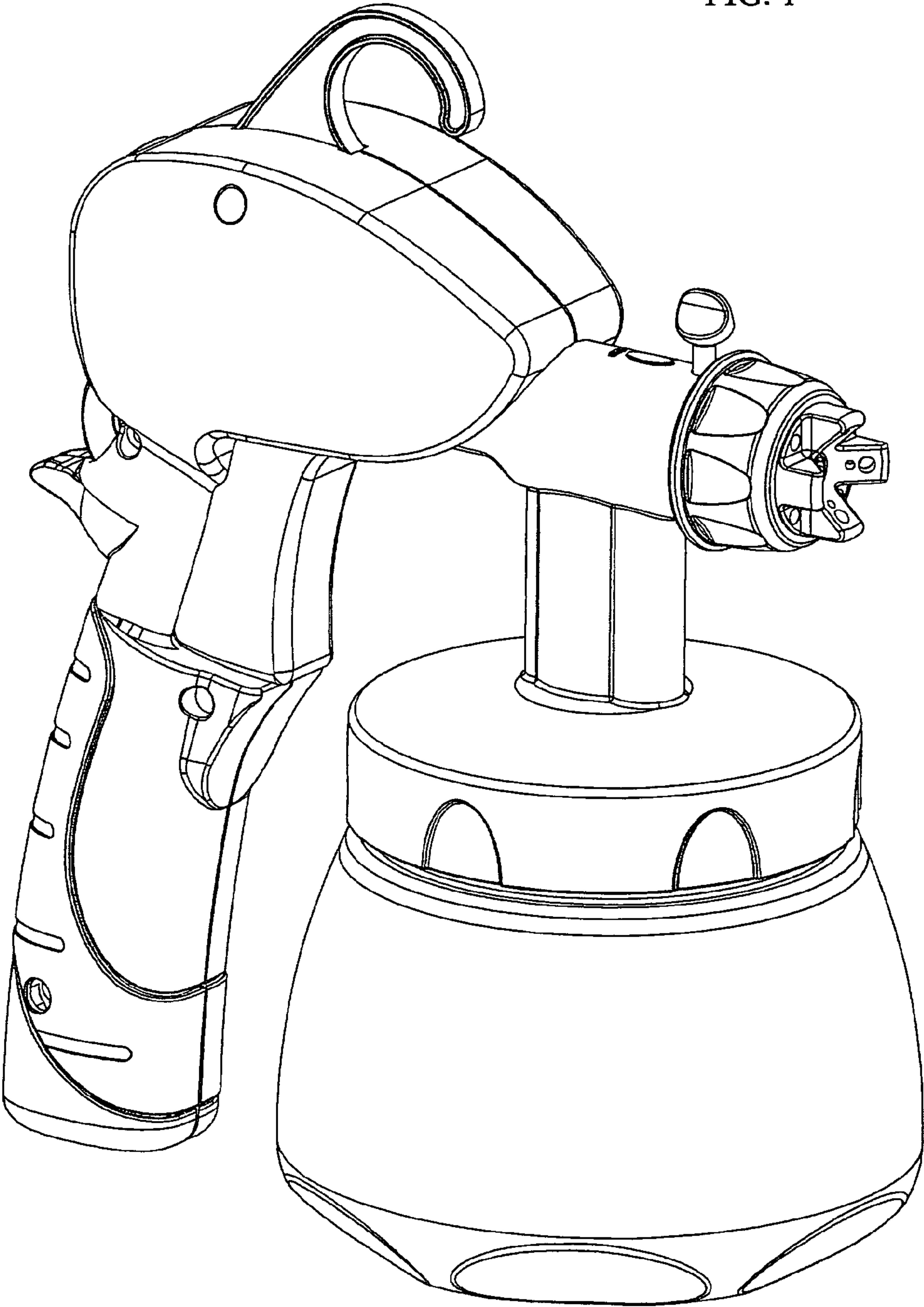


FIG. 2

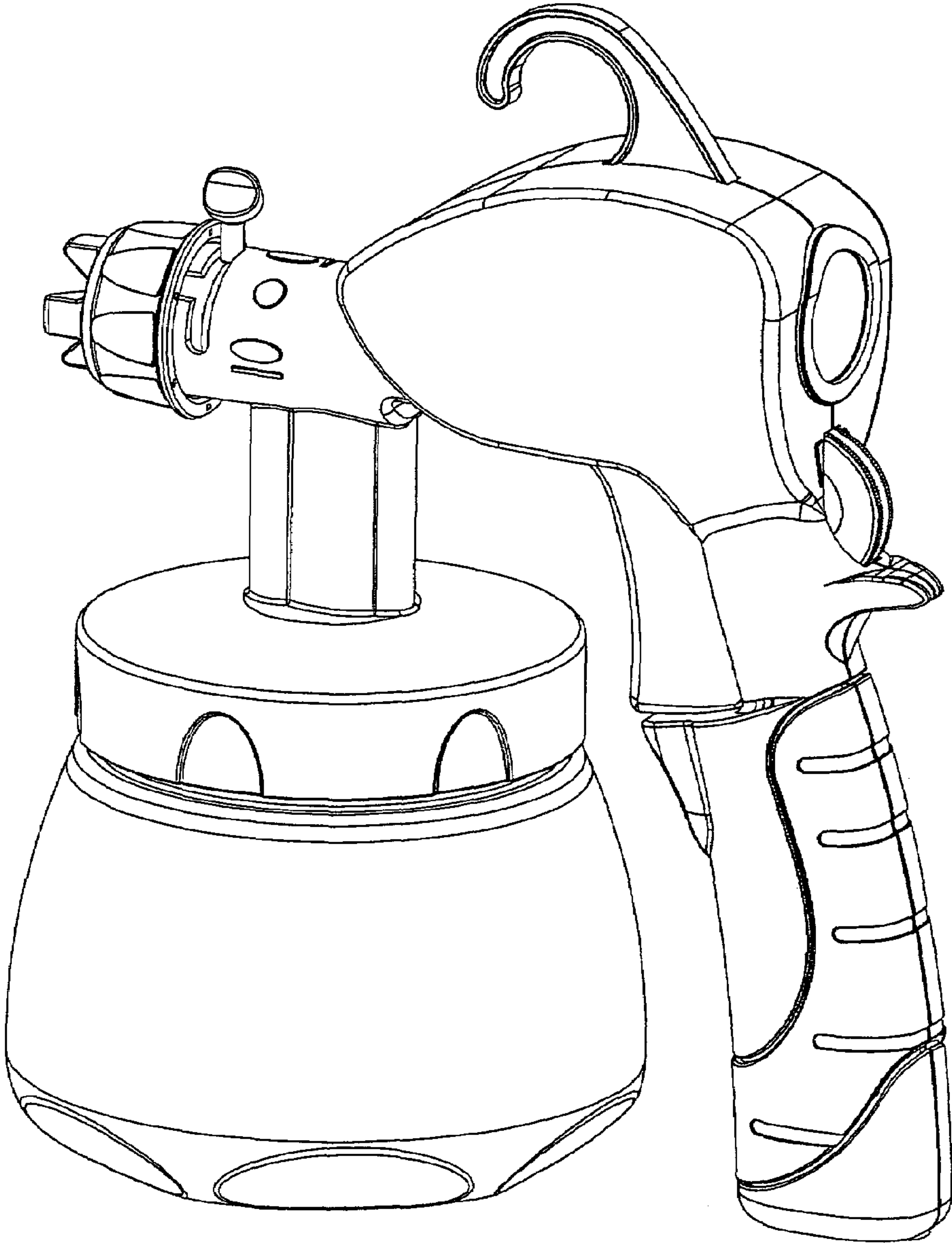


FIG. 3

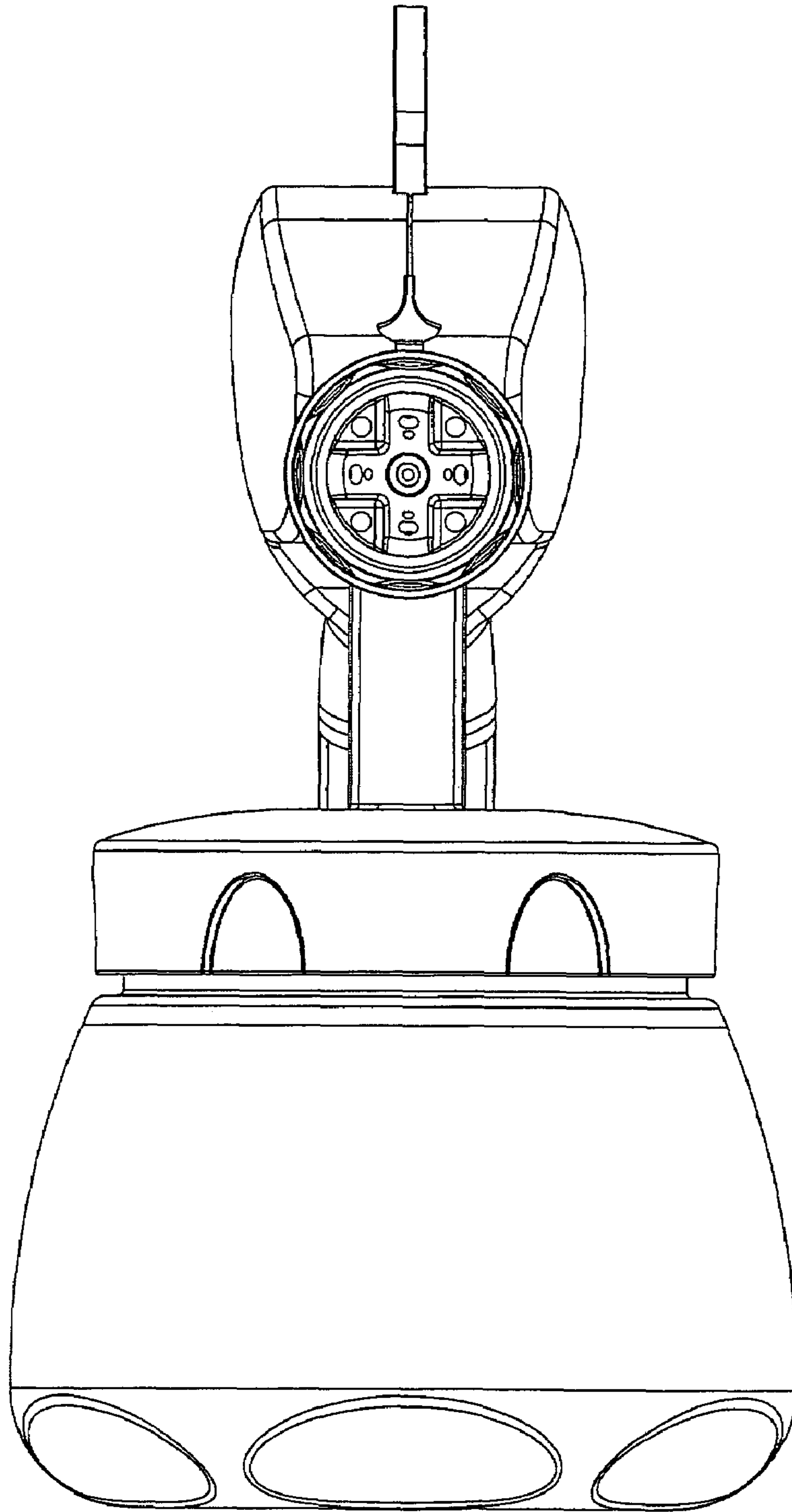
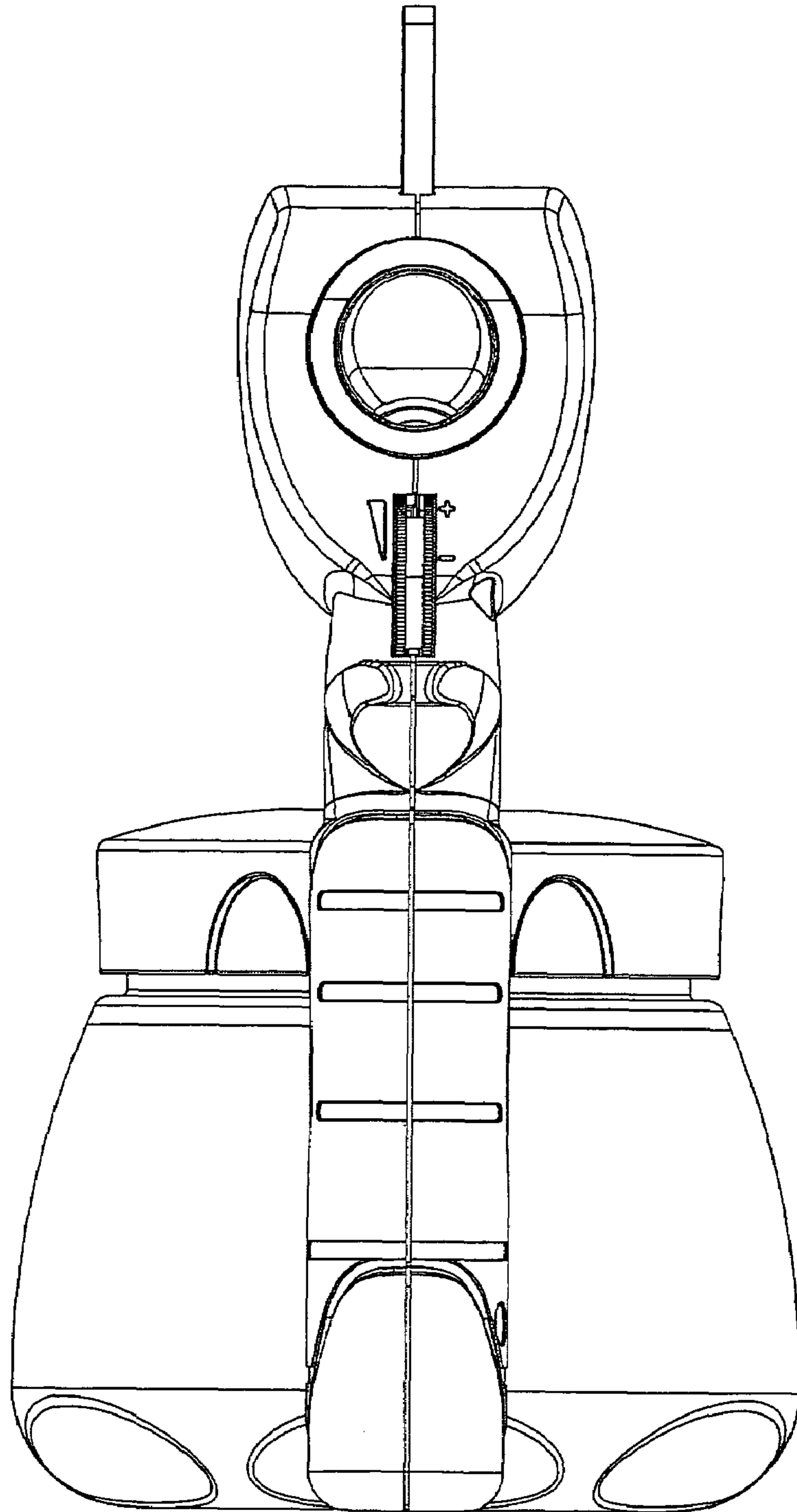


FIG. 4



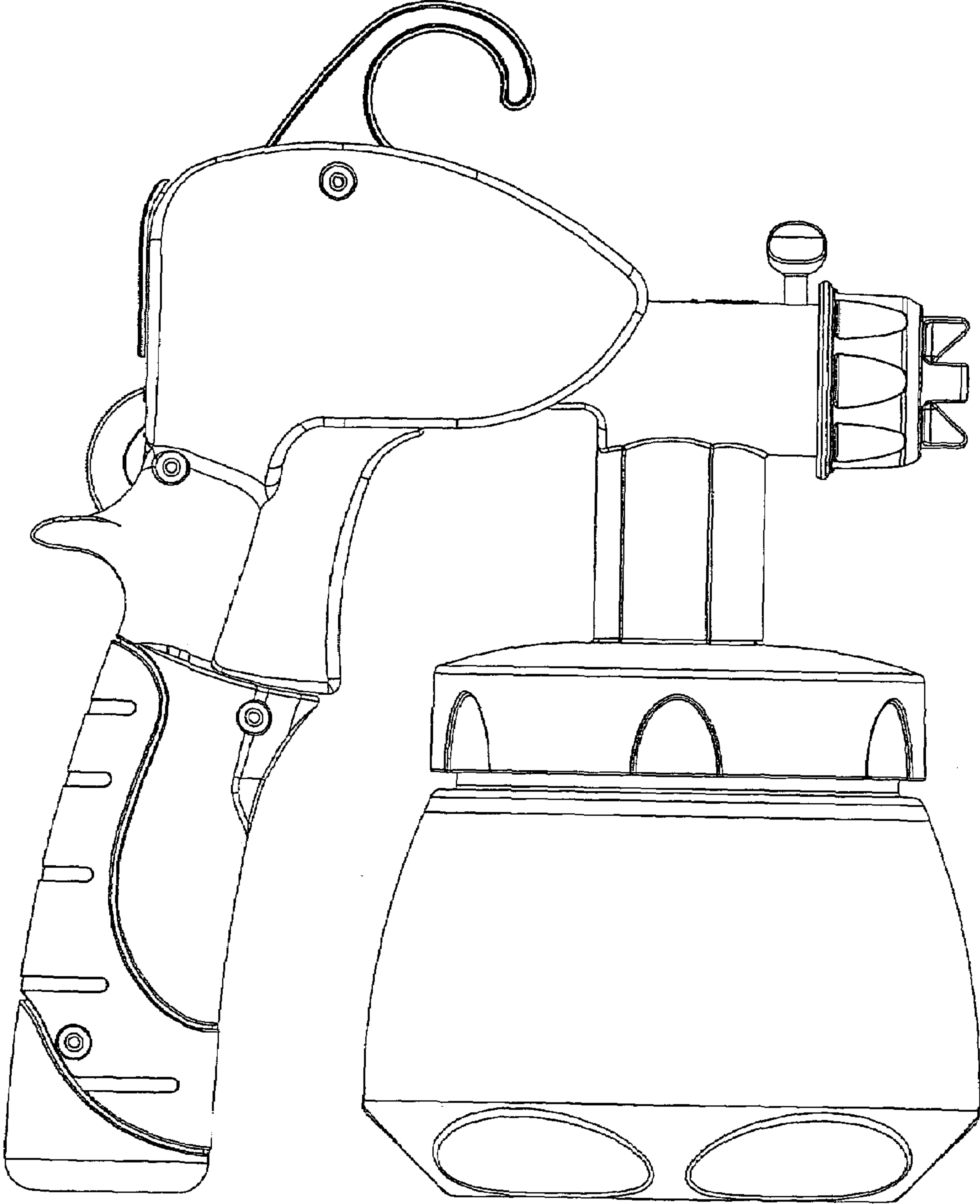


FIG. 5

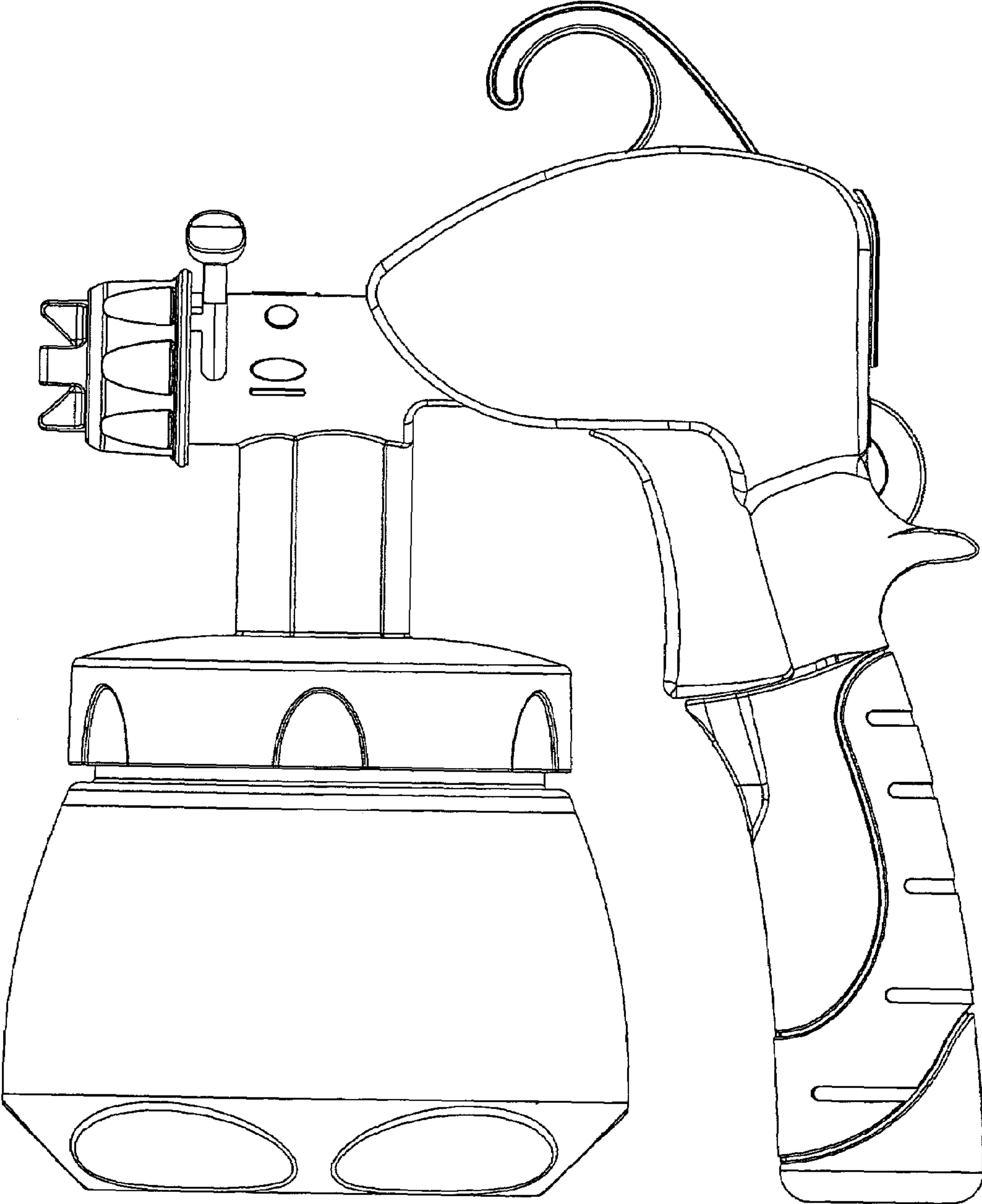


FIG. 6

FIG. 7

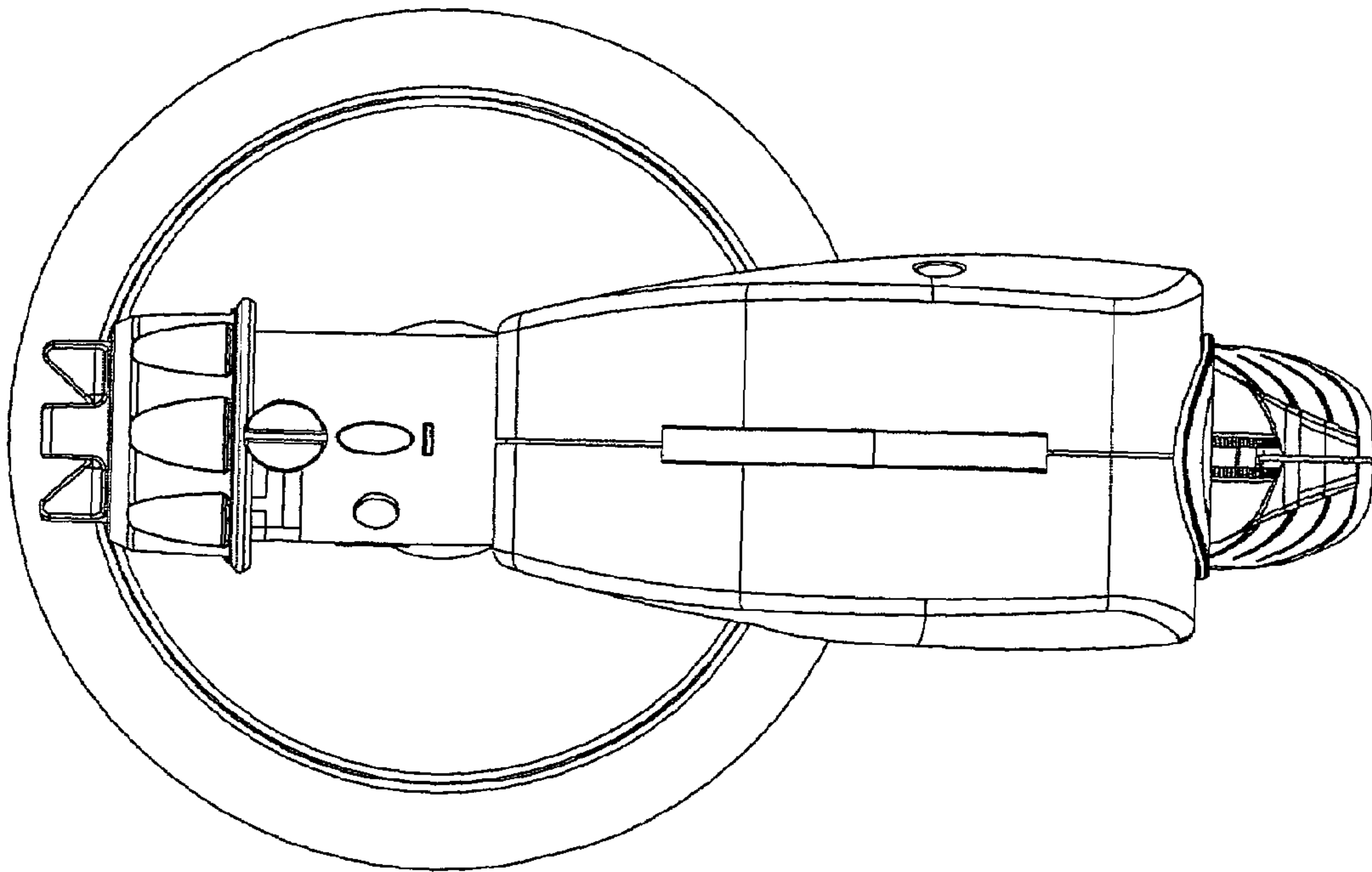


FIG. 8

