

US00D609776S

(12) **United States Design Patent**  
**Nirenberg**

(10) **Patent No.:** **US D609,776 S**

(45) **Date of Patent:** **\*\* Feb. 9, 2010**

(54) **FUEL TANK**

(75) Inventor: **David Nirenberg**, Jefferson City, TN (US)

(73) Assignee: **Unified Marine, Inc.**, Newport, TN (US)

(\*\*) Term: **14 Years**

(21) Appl. No.: **29/335,405**

(22) Filed: **Apr. 15, 2009**

(51) **LOC (9) Cl.** ..... **23-01**

(52) **U.S. Cl.** ..... **D23/211.1**

(58) **Field of Classification Search** ..... D23/211,  
D23/211.1; D9/516, 527, 528, 563, 572,  
D9/575; 215/383, 384, 396, 398; 220/318,  
220/674

See application file for complete search history.

(56) **References Cited**

**U.S. PATENT DOCUMENTS**

D205,166	S *	6/1966	Price	.....	D9/527
D305,353	S	1/1990	Thomas		
D358,330	S *	5/1995	Kahl	.....	D23/211.1
D358,548	S *	5/1995	Platte	.....	D9/527
D386,240	S *	11/1997	Howseman, Jr.	.....	D23/211.1
5,794,559	A	8/1998	Graham		
D485,189	S *	1/2004	Montalbano et al.	.....	D9/528
D514,940	S *	2/2006	Darr et al.	.....	D9/527
7,182,214	B2 *	2/2007	Darr et al.	.....	215/398
7,357,379	B2	4/2008	Asano et al.		

**FOREIGN PATENT DOCUMENTS**

EP 0114585 A2 8/1984

**OTHER PUBLICATIONS**

Atwood 6-Gallon Fuel Tanks, <<http://www.attwoodmarine.com/products/parts.asp?productid=797&path=fuel&category=5&gtype=1&group=0&subgroup=0&categoryname=Fuel+Systems&typename=Portable+Fuel+Fittings&headname=Portable+Fuel+Fittings>>, Oct. 18, 2000.  
Tempo Above Deck Plastic Fuel Tanks, <[http://www.tempoproducts.com/2004/ad\\_fuel\\_tanks2.html](http://www.tempoproducts.com/2004/ad_fuel_tanks2.html)>, Aug. 13, 2004.  
Scepter Portable Topside Tanks, <[http://www.sceptermarine.com/marine\\_fuel\\_tanks/oem/](http://www.sceptermarine.com/marine_fuel_tanks/oem/)>, Jul. 4, 2007.  
Nissan Fuel Tanks, <[http://www.nissanmarine.com/accessories/fuel\\_tanks.html](http://www.nissanmarine.com/accessories/fuel_tanks.html)>, Sep. 11, 2007.

\* cited by examiner

*Primary Examiner*—Stella M Reid

*Assistant Examiner*—Shanda C Hill

(74) *Attorney, Agent, or Firm*—Jacox, Meckstroth & Jenkins

(57) **CLAIM**

The ornamental design for a fuel tank, as shown and described.

**DESCRIPTION**

FIG. 1 is a perspective view of a fuel tank showing my new design;

FIG. 2 is a front view thereof;

FIG. 3 is a right side view thereof;

FIG. 4 is a rear view thereof;

FIG. 5 is a left side view thereof;

FIG. 6 is a top view thereof; and,

FIG. 7 is a bottom view thereof.

**1 Claim, 2 Drawing Sheets**

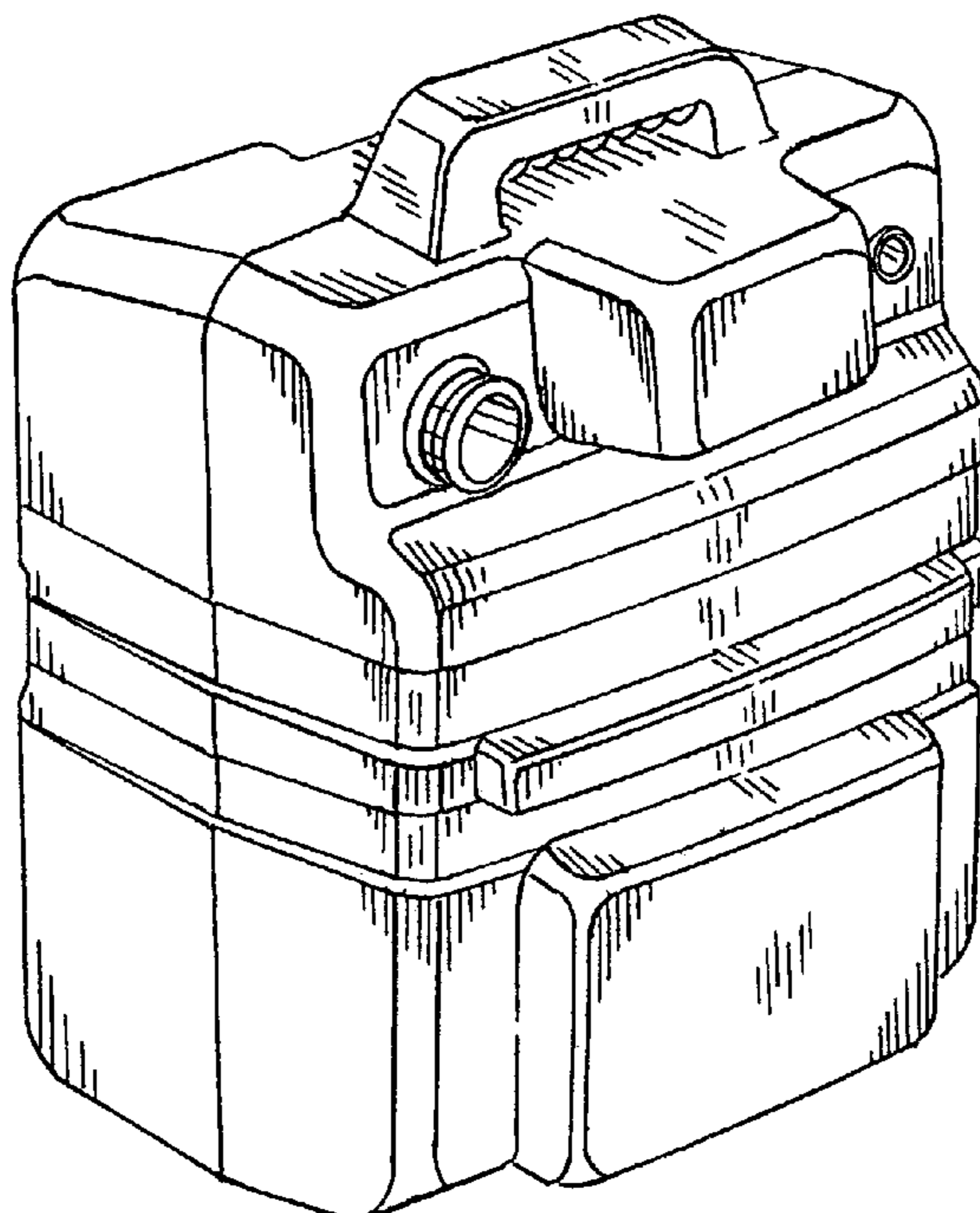


FIG-1

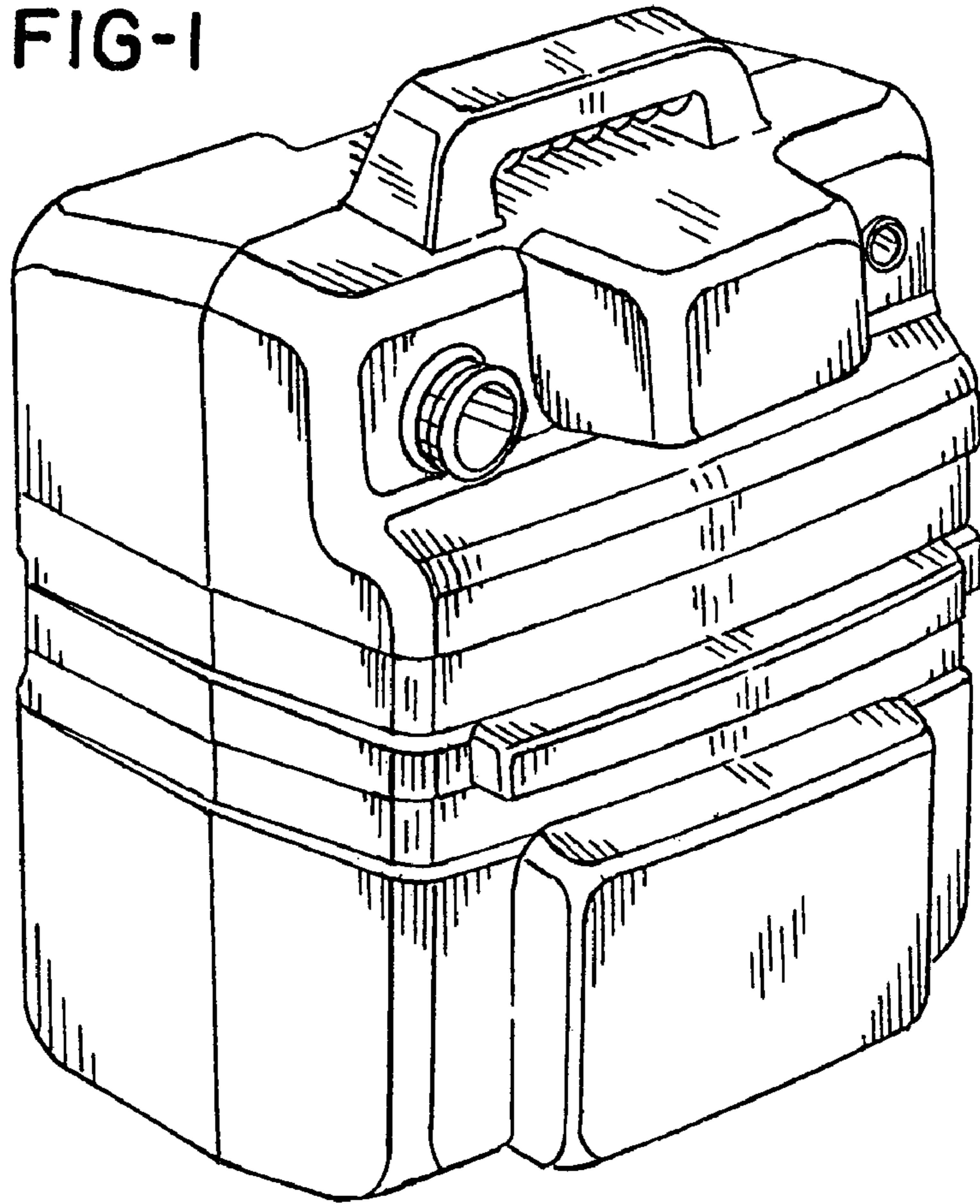


FIG-2

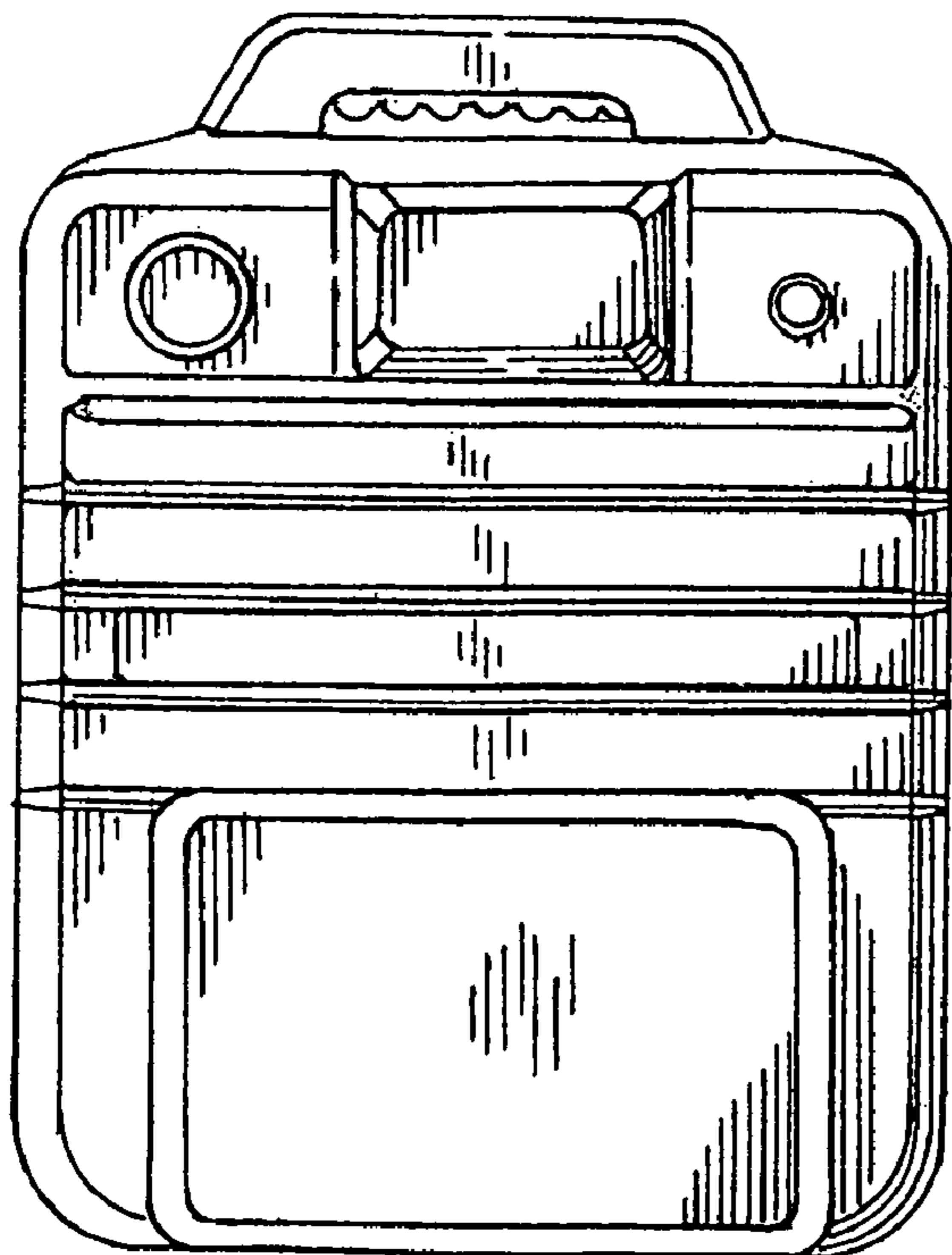
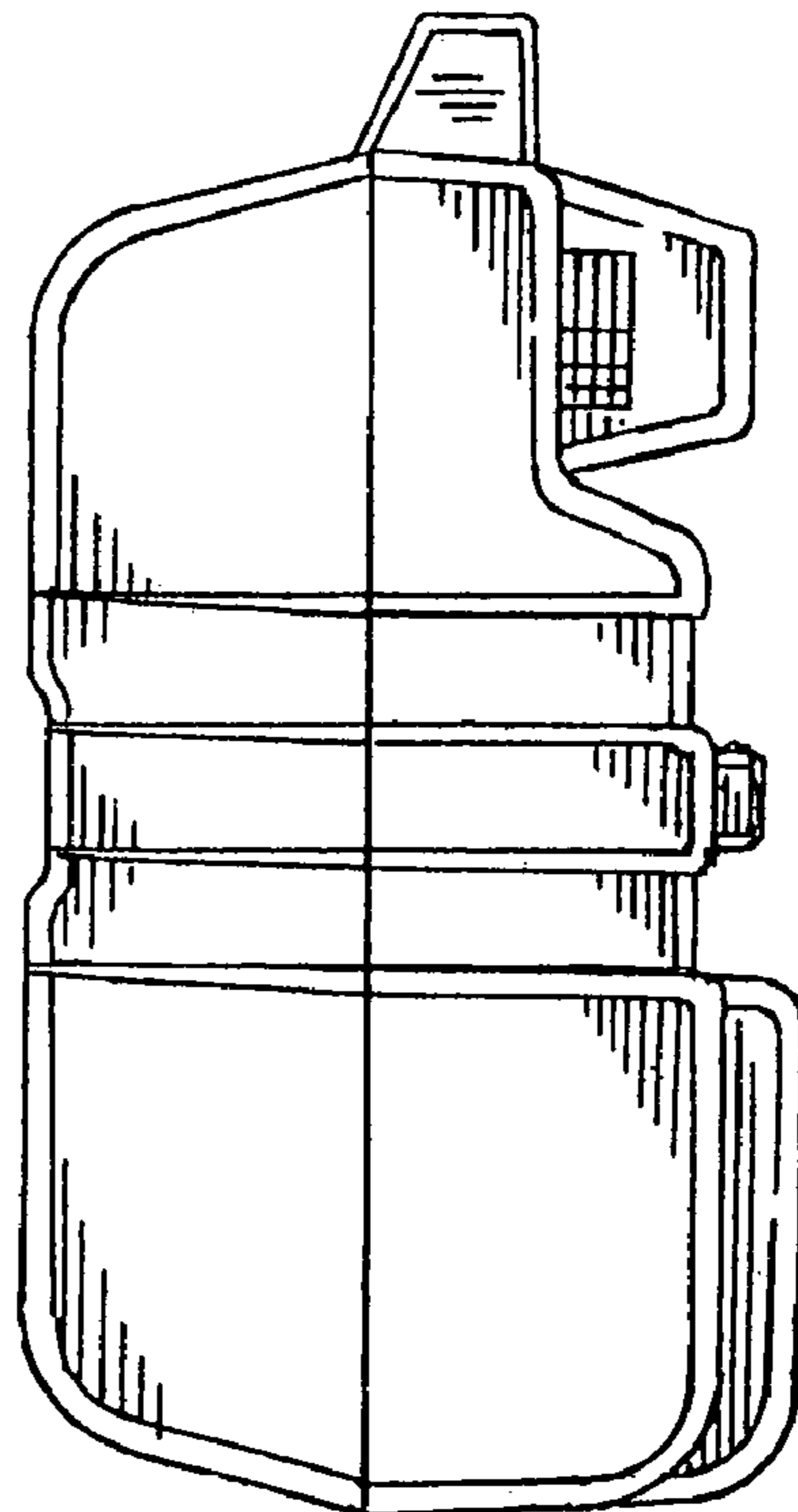
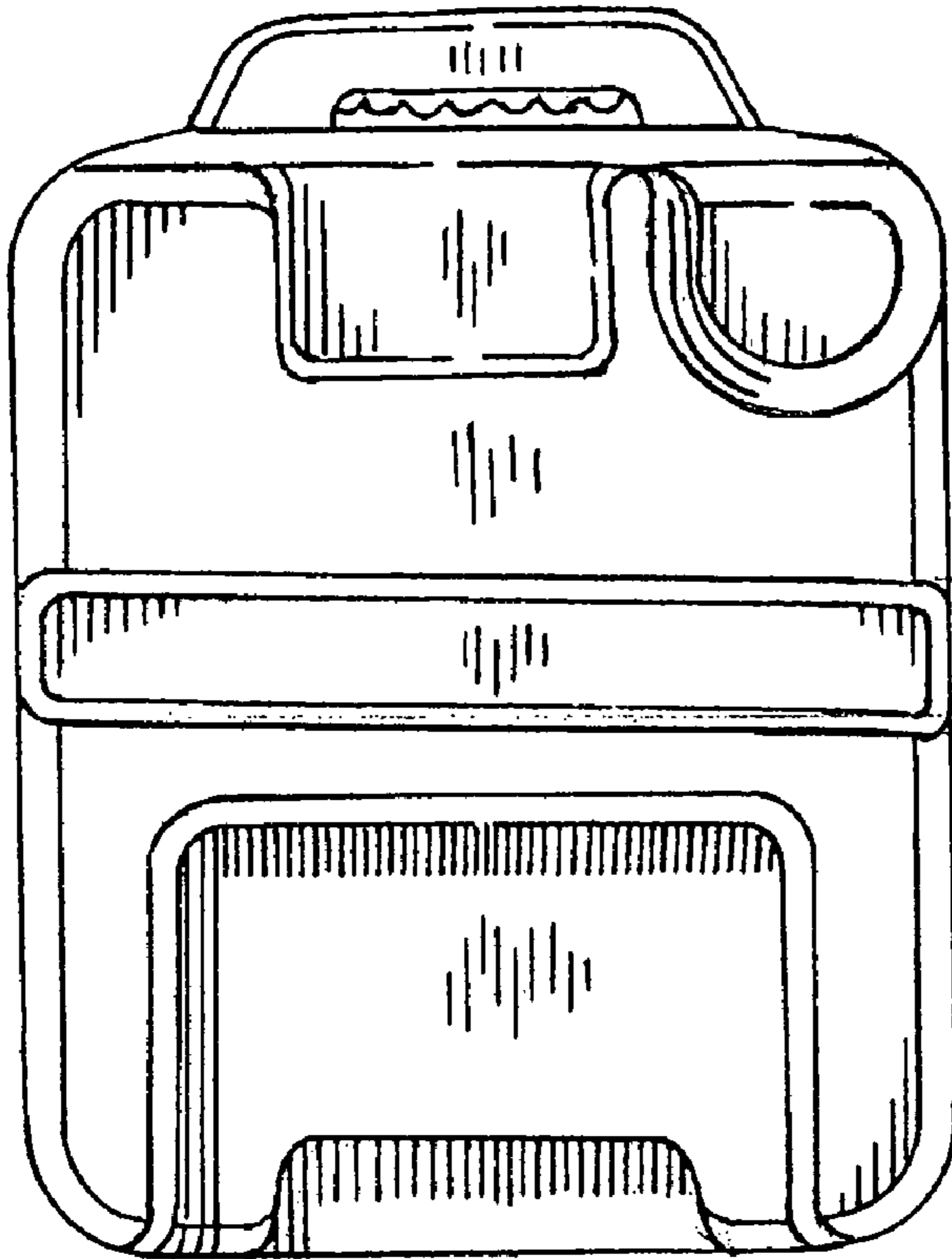


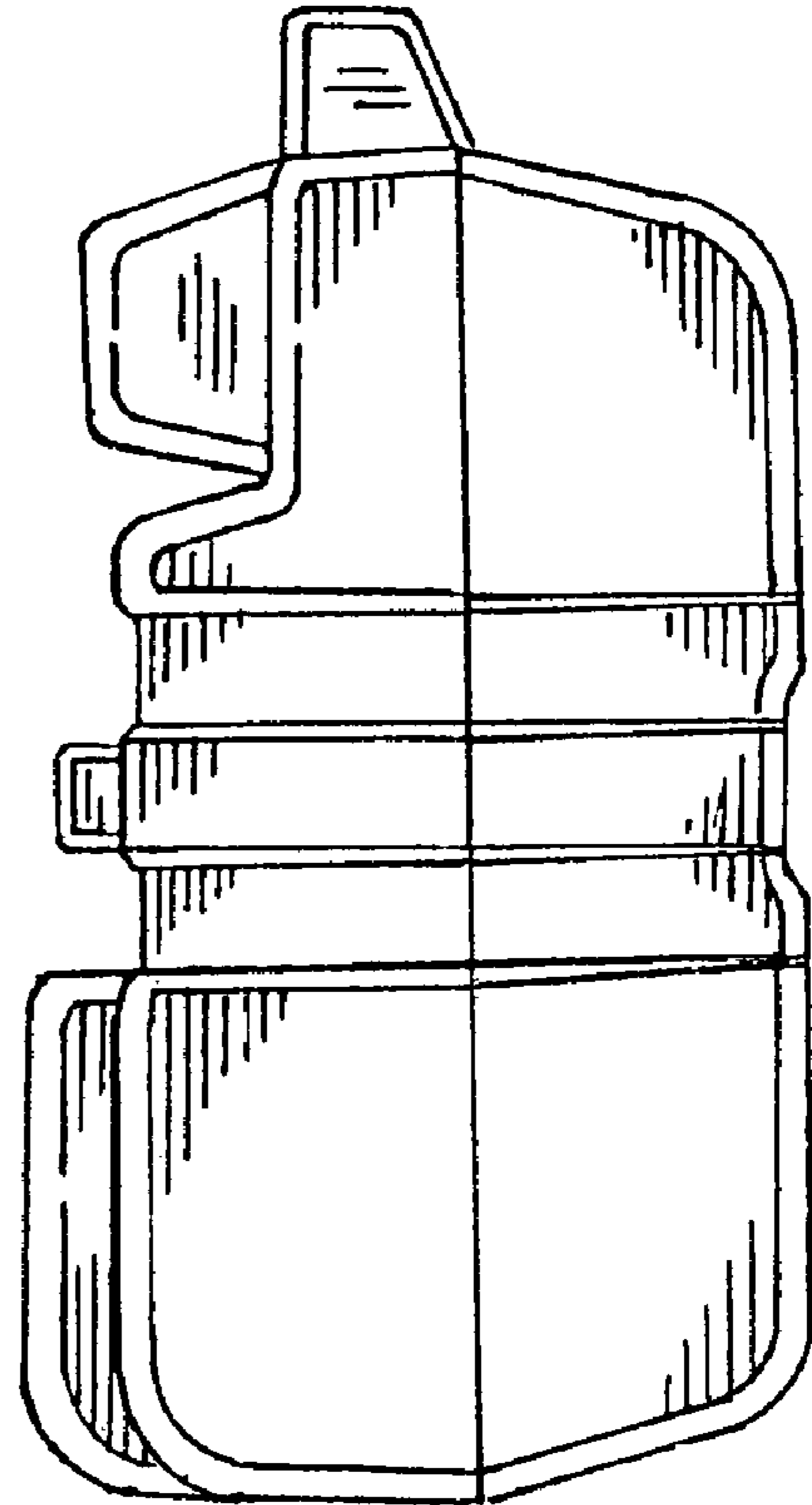
FIG-3



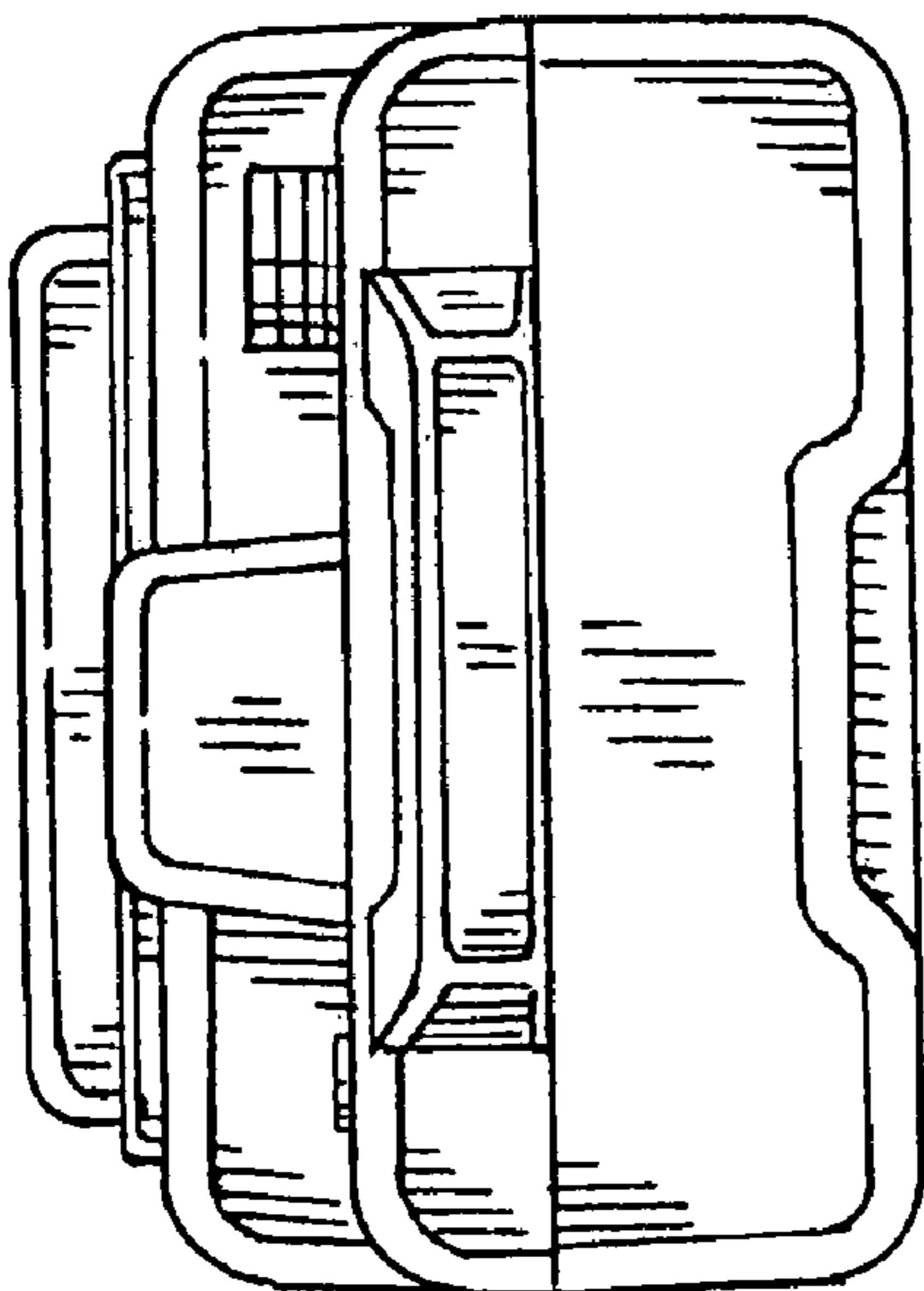
**FIG-4**



**FIG-5**



**FIG-6**



**FIG-7**

