



US00D609773S

(12) **United States Design Patent**
Abernethy et al.

(10) **Patent No.:** **US D609,773 S**
(45) **Date of Patent:** **** Feb. 9, 2010**

(54) **SPRAYER TANK**

(75) Inventors: **Todd Abernethy**, Skaneateles, NY (US);
Don Kang, Camillus, NY (US)

(73) Assignee: **The Fountainhead Group, Inc.**, New York Mills, NY (US)

(**) Term: **14 Years**

(21) Appl. No.: **29/338,064**

(22) Filed: **Jun. 3, 2009**

(51) **LOC (9) Cl.** **23-01**

(52) **U.S. Cl.** **D23/202; D23/225**

(58) **Field of Classification Search** D23/213,
D23/202, 225; 239/310, 373, 337, 332-333,
239/152-154

See application file for complete search history.

(56) **References Cited**

U.S. PATENT DOCUMENTS

2,162,057	A *	6/1939	Brandt et al.	239/154
5,335,853	A *	8/1994	Wirz	239/142
5,636,791	A *	6/1997	Leer	239/142
6,729,558	B1 *	5/2004	Seenauth	239/152
6,769,628	B1 *	8/2004	Vaage et al.	239/152
7,007,826	B2 *	3/2006	Shapanus et al.	222/175

7,175,104	B2 *	2/2007	Allen, IV	239/71
D567,897	S *	4/2008	Hillhouse	D23/202
D570,447	S *	6/2008	Hillhouse	D23/225
D591,387	S *	4/2009	Campbell	D23/202

* cited by examiner

Primary Examiner—Robin V Webster

(74) *Attorney, Agent, or Firm*—George R. McGuire; Bond Schoeneck & King, PLLC

(57) **CLAIM**

The ornamental design for a sprayer tank, as shown and described.

DESCRIPTION

FIG. 1 is a rear perspective view of a new and ornamental design of a sprayer tank;

FIG. 2 is a front elevation view thereof;

FIG. 3 is a rear elevation view thereof;

FIG. 4 is a front perspective view thereof;

FIG. 5 is a bottom plan view thereof;

FIG. 6 is a first side elevation view thereof;

FIG. 7 is a second side elevation view thereof; and,

FIG. 8 is a top plan view thereof.

1 Claim, 8 Drawing Sheets

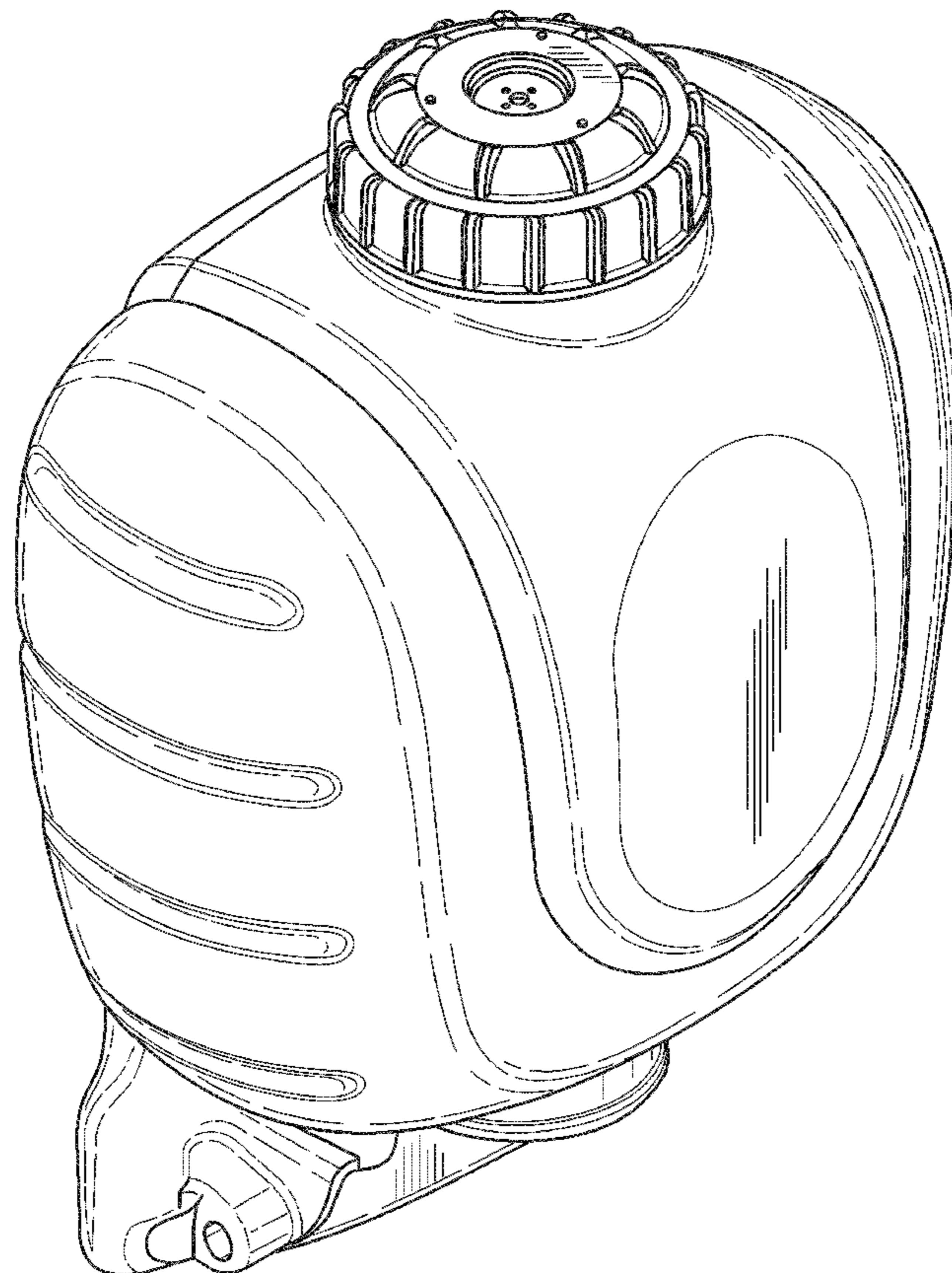


Fig. 1

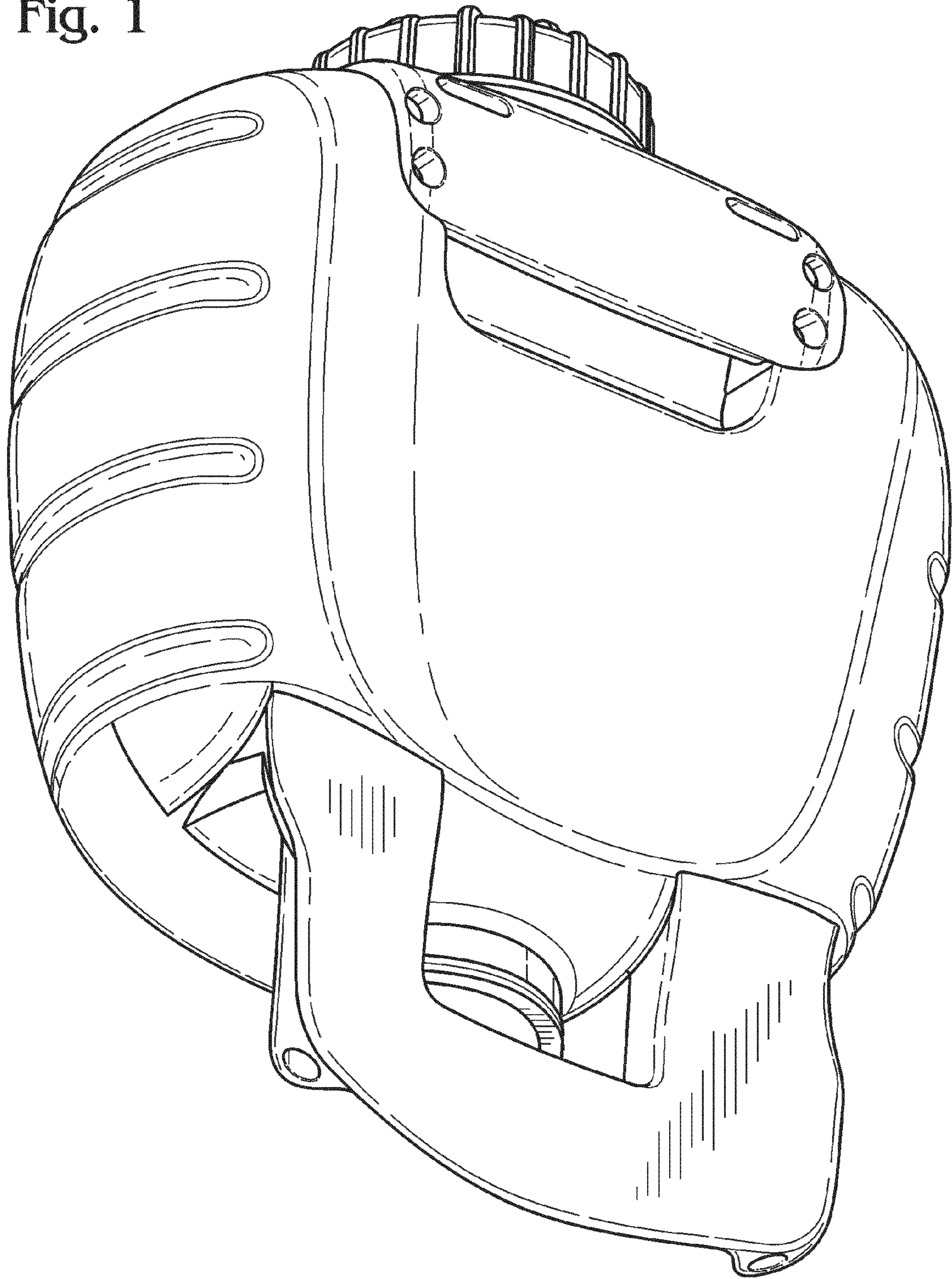


Fig. 2

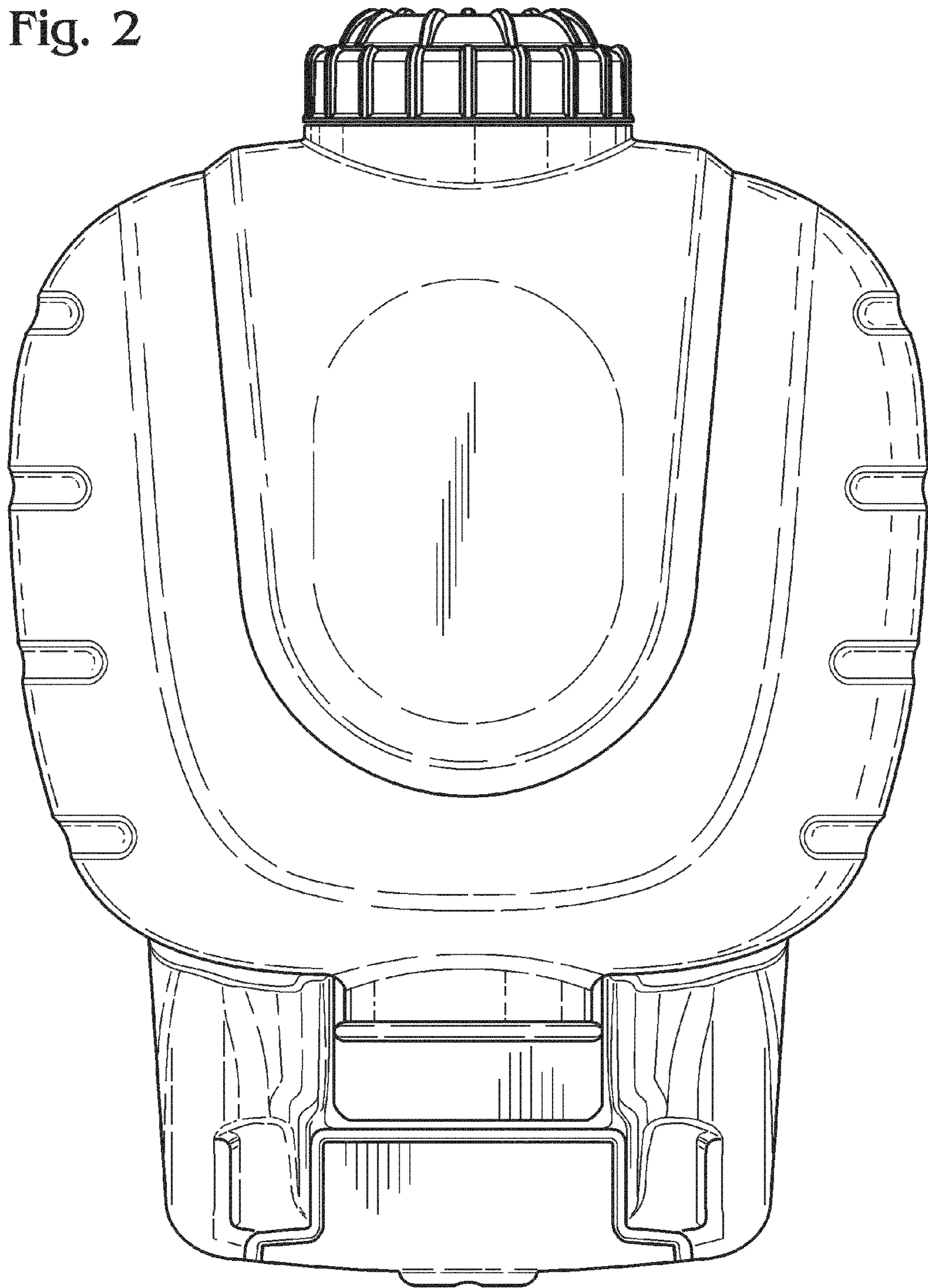


Fig. 3

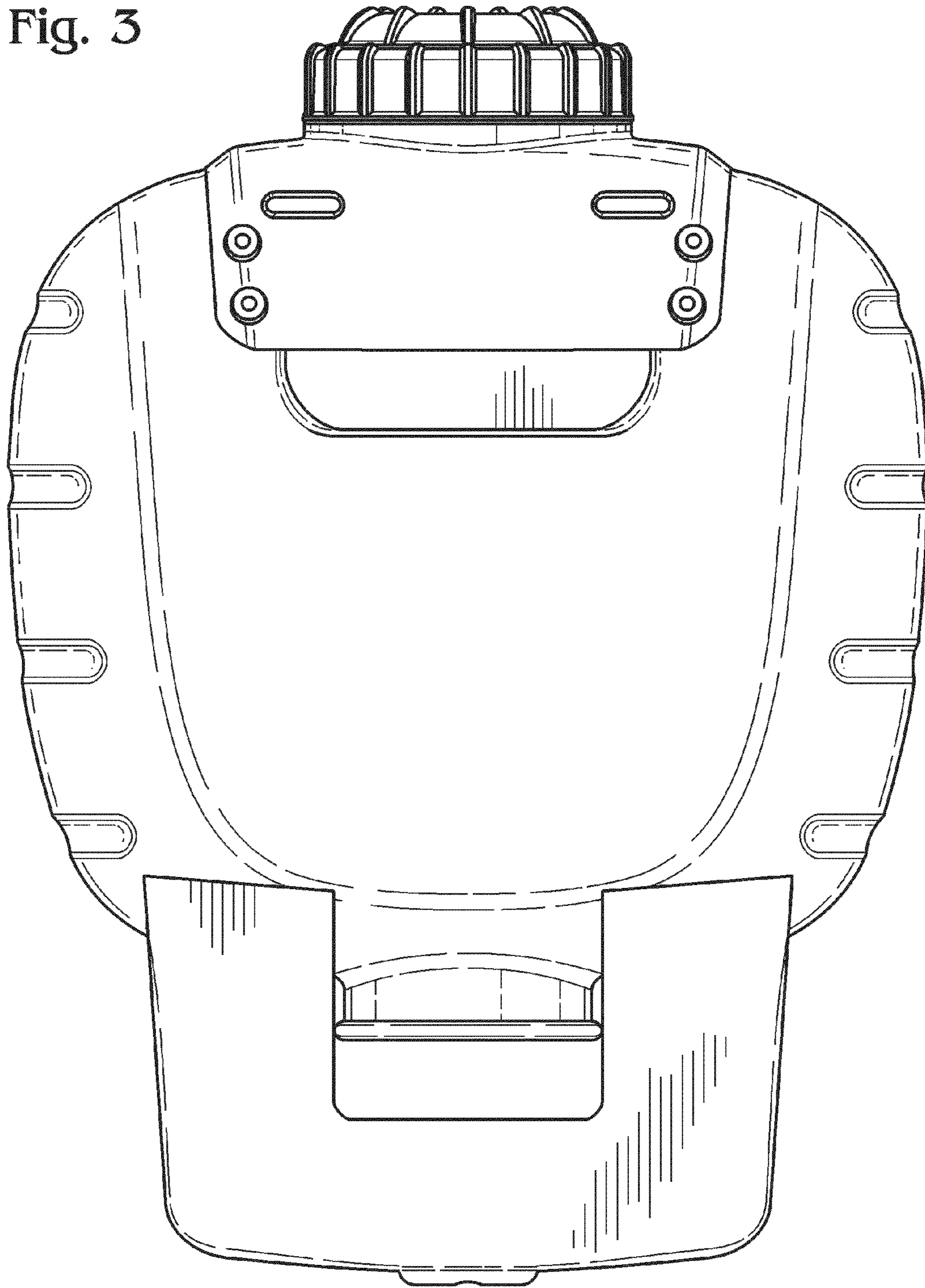
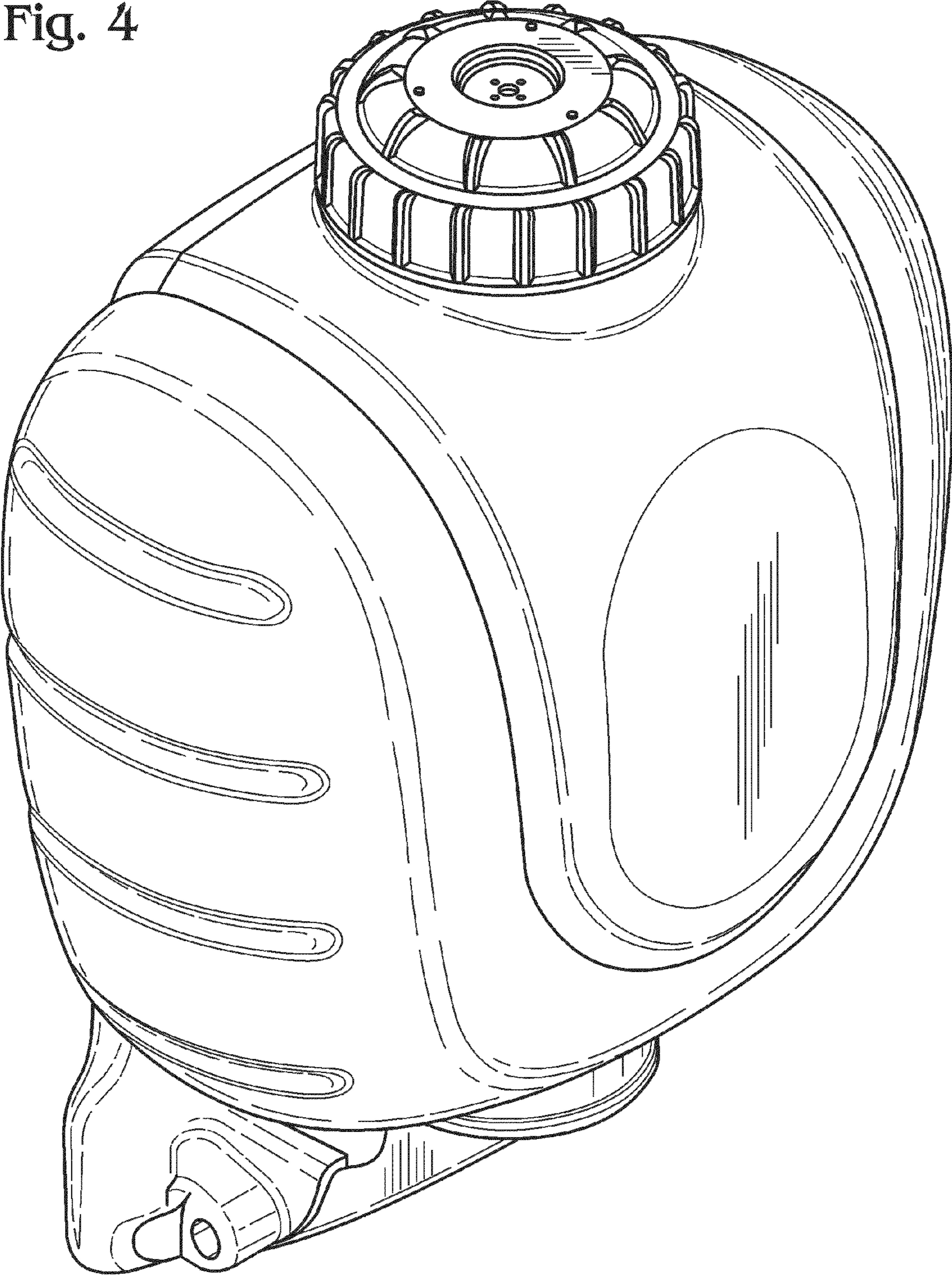


Fig. 4



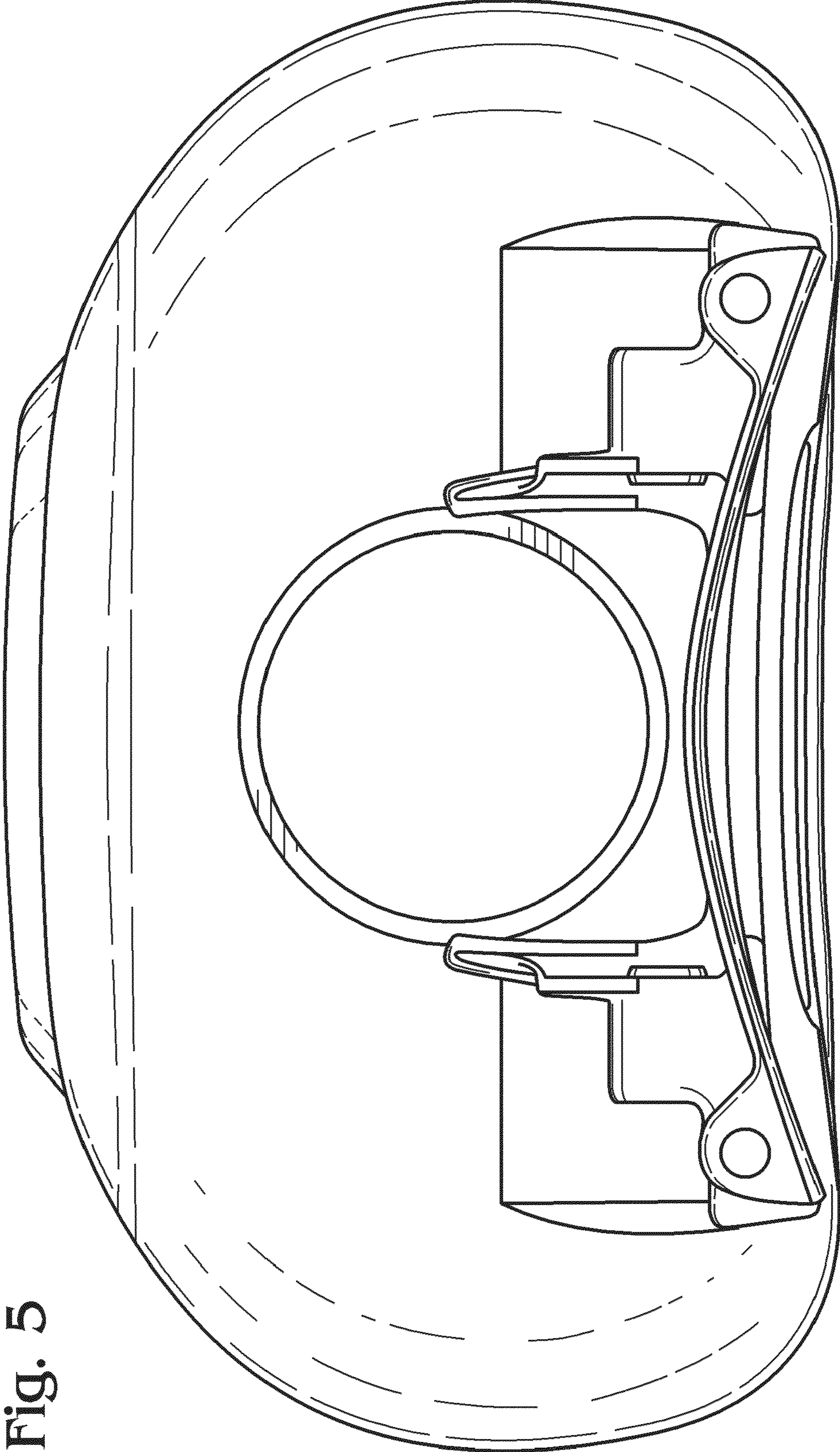


Fig. 5

Fig. 6

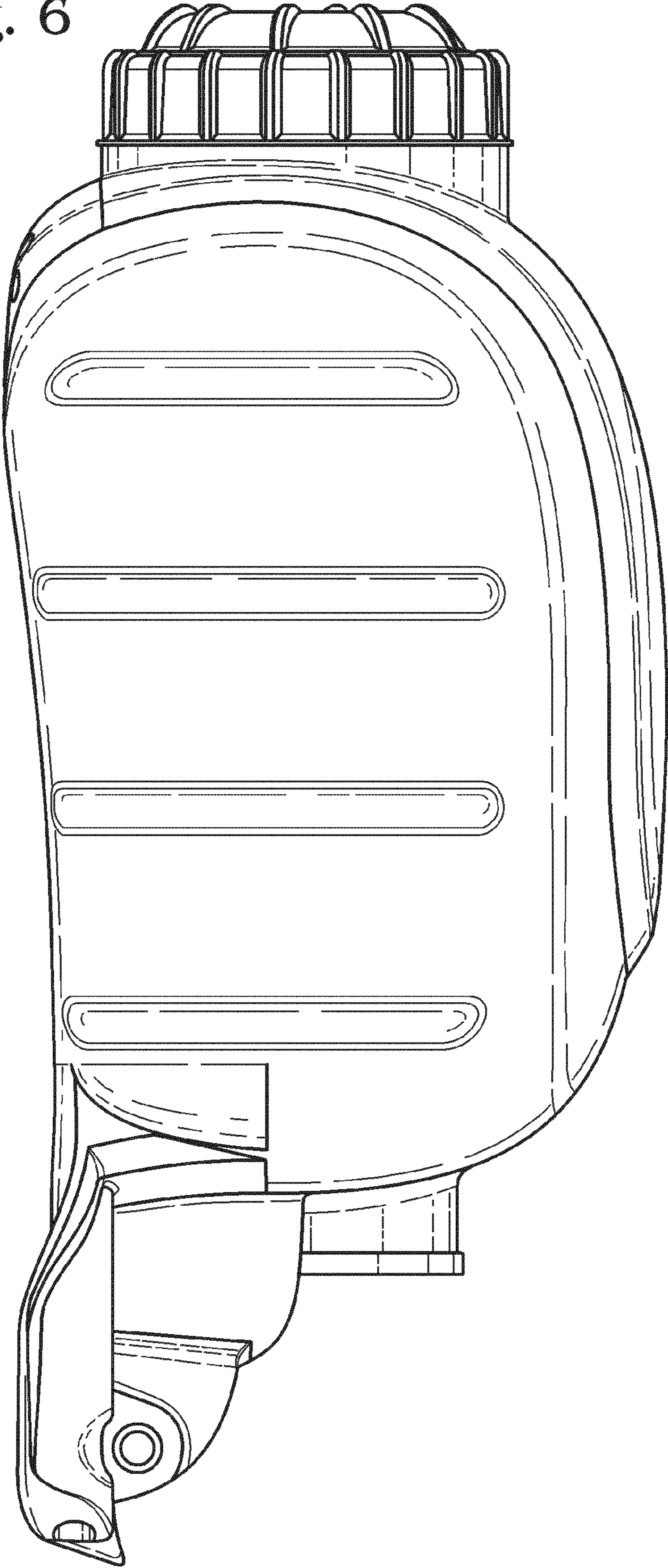
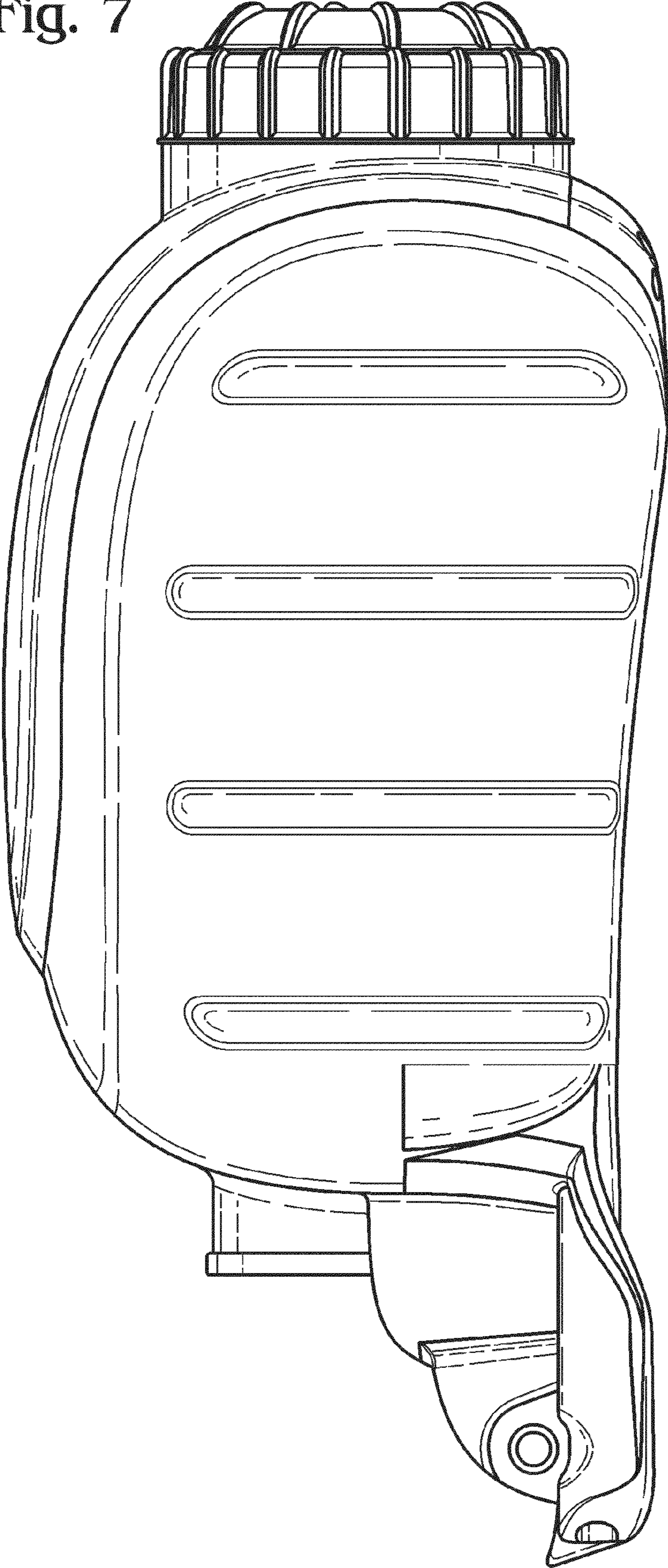


Fig. 7



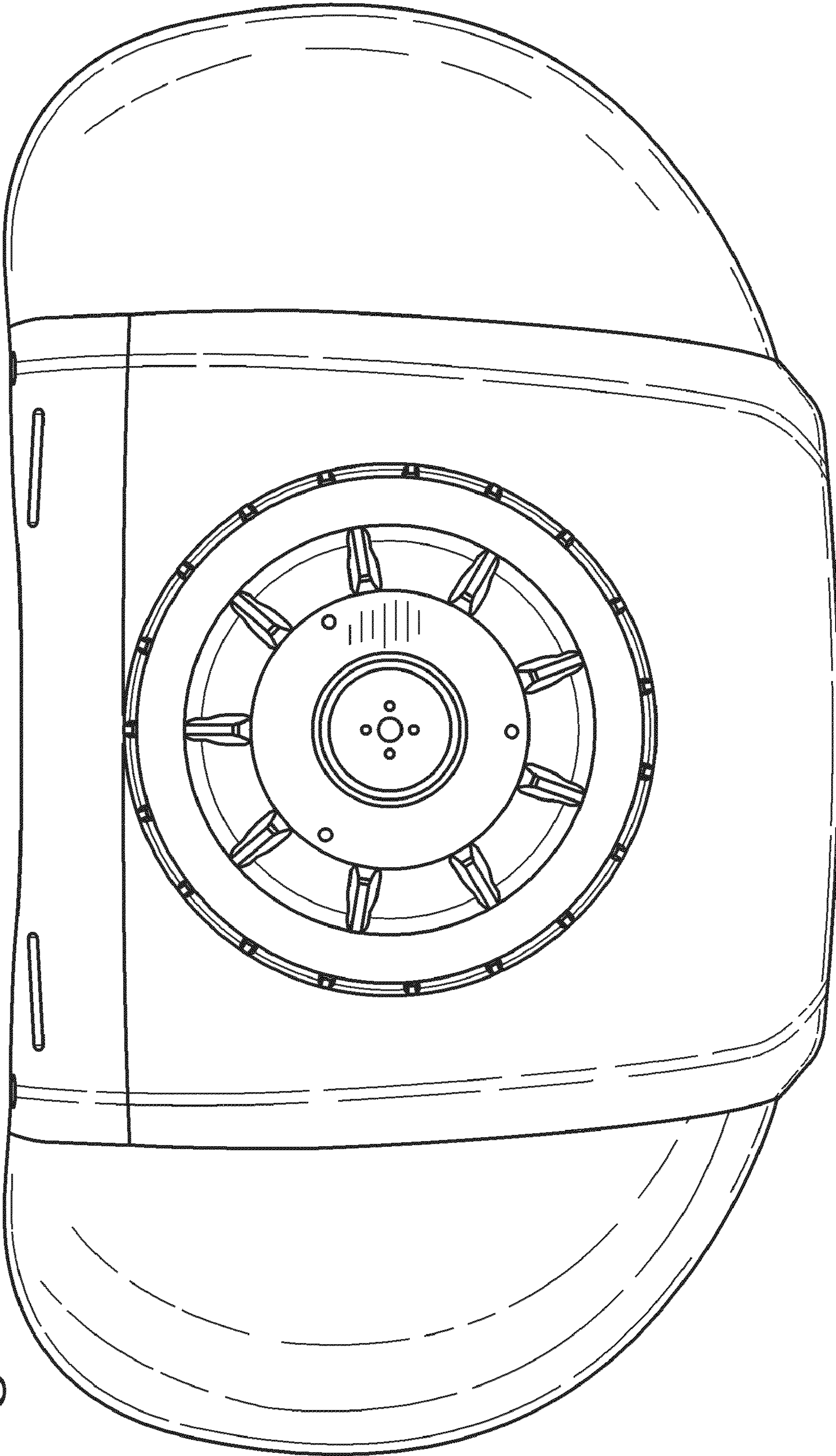


Fig. 8