



US00D609772S

(12) **United States Design Patent**
Tohma et al.

(10) **Patent No.:** **US D609,772 S**

(45) **Date of Patent:** **** Feb. 9, 2010**

(54) **FISHING REEL**

D595,806 S * 7/2009 Nago D22/140

(75) Inventors: **Hiroshi Tohma**, Higashikurume (JP);
Wataru Tsutsumi, Tokyo (JP);
Masakazu Noguchi, Higashimurayama
(JP); **Takashi Kishimoto**, Tokorozawa
(JP)

* cited by examiner

Primary Examiner—Catherine R Oliver
(74) *Attorney, Agent, or Firm*—Oblon, Spivak, McClelland,
Maier & Neustadt, L.L.P.

(73) Assignee: **Daiwa Seiko, Inc.**, Tokyo (JP)

(**) Term: **14 Years**

(21) Appl. No.: **29/334,080**

(22) Filed: **Mar. 20, 2009**

(30) **Foreign Application Priority Data**

Feb. 24, 2009 (JP) 2009-003750

(51) **LOC (9) Cl.** **22-05**

(52) **U.S. Cl.** **D22/140**

(58) **Field of Classification Search** D22/140,
D22/141, 137–139; 242/223, 310, 314, 370;
43/19–21

See application file for complete search history.

(56) **References Cited**

U.S. PATENT DOCUMENTS

D572,336 S * 7/2008 Asano et al. D22/140

(57) **CLAIM**

The new, original, and ornamental design for a fishing reel, as shown.

DESCRIPTION

FIG. 1 is a front, right, and top perspective view of a fishing reel;

FIG. 2 is a rear, left, and top perspective view thereof;

FIG. 3 is a front elevational view thereof;

FIG. 4 is a rear elevational view thereof;

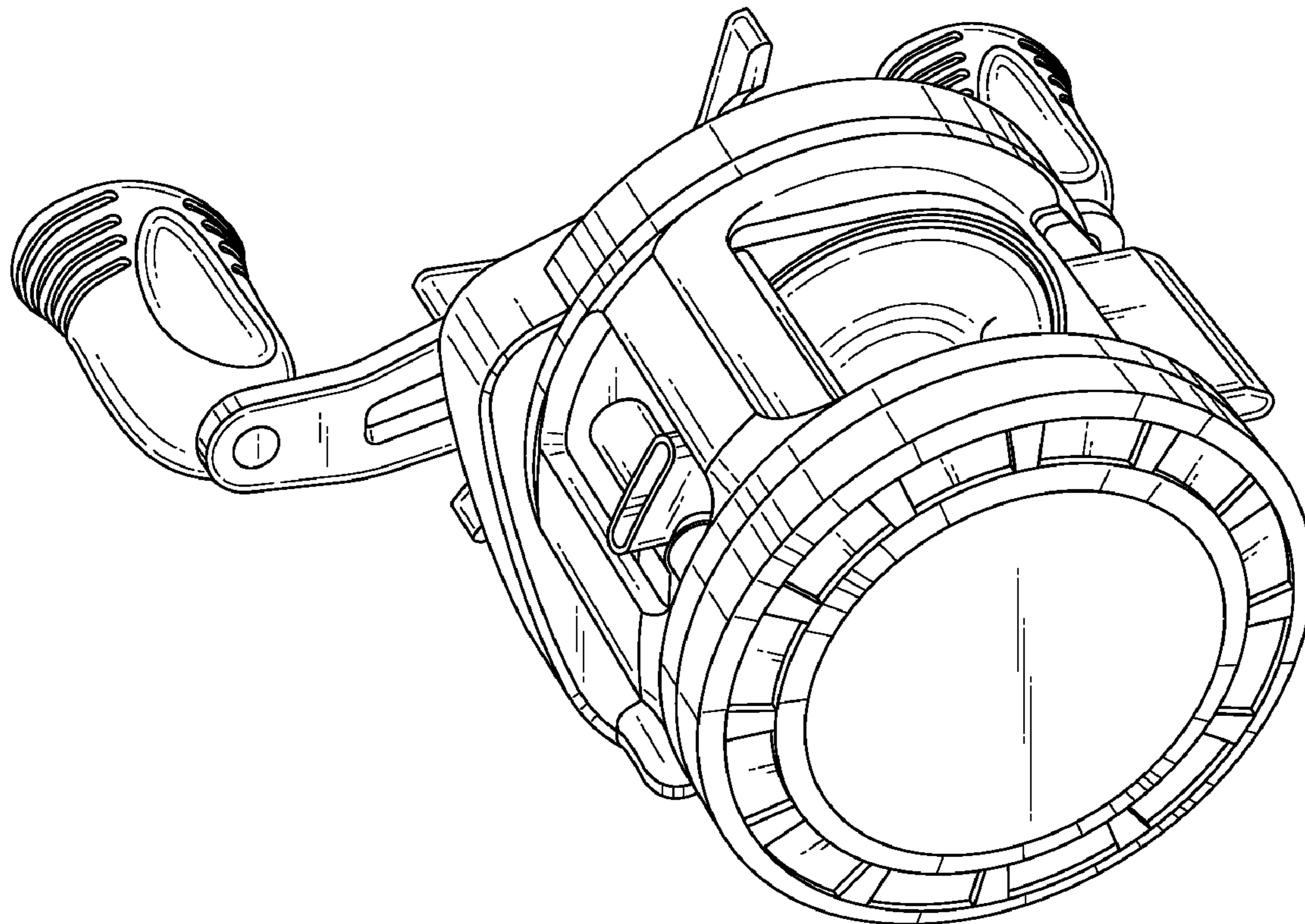
FIG. 5 is a top plan view thereof;

FIG. 6 is a bottom plan view thereof;

FIG. 7 is a right side elevational view thereof; and,

FIG. 8 is a left side elevational view thereof.

1 Claim, 6 Drawing Sheets



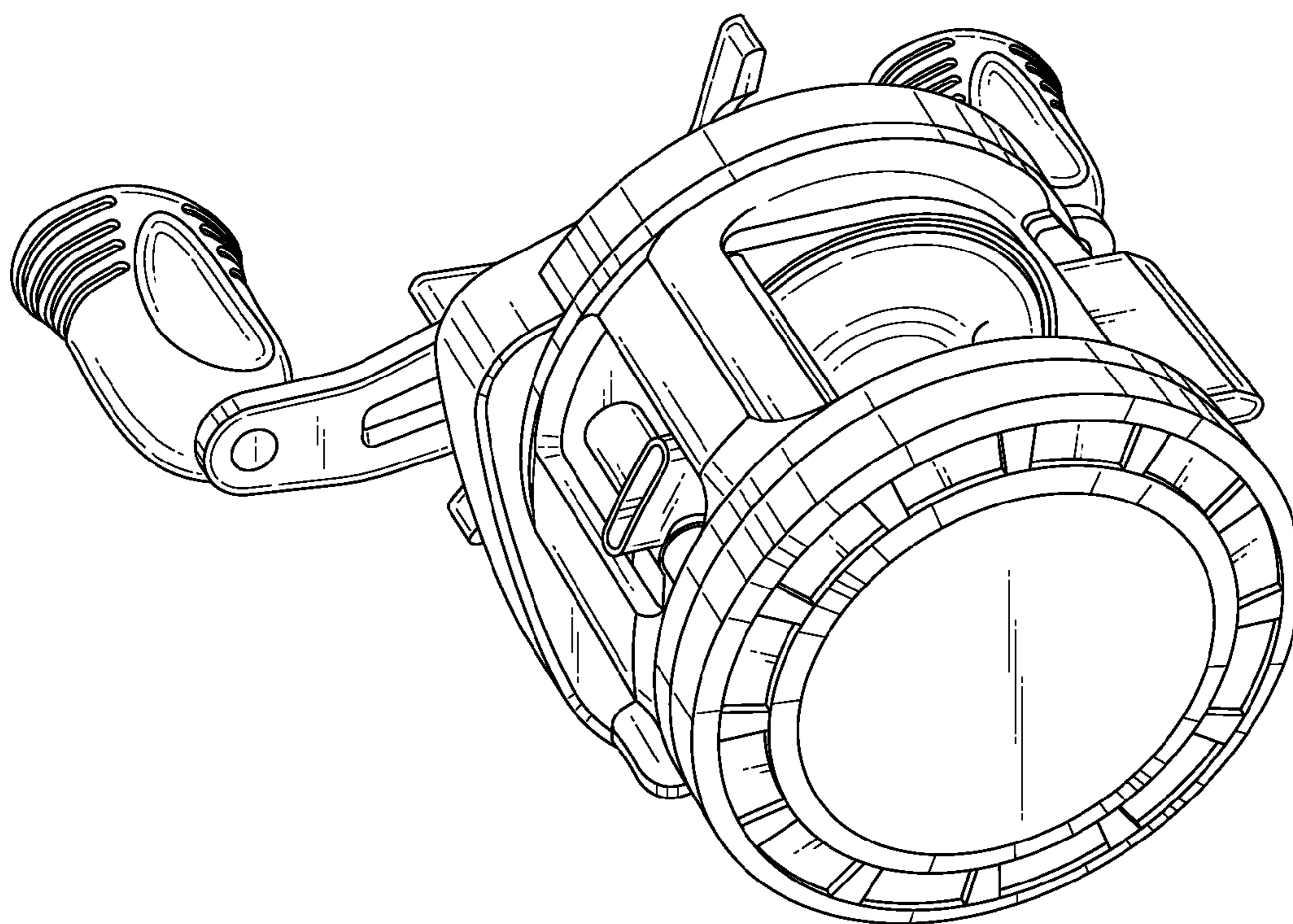


FIG.1

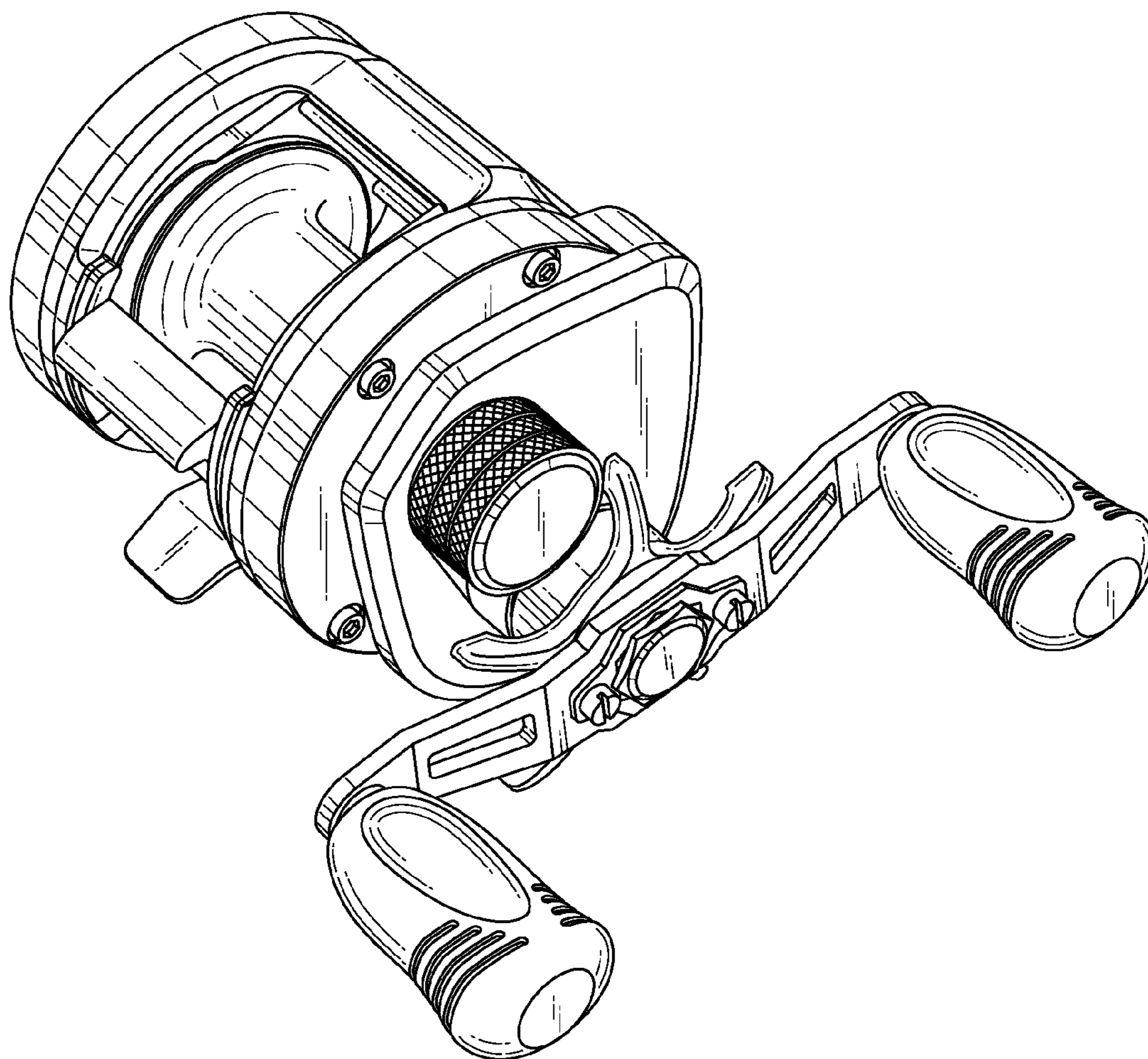


FIG.2

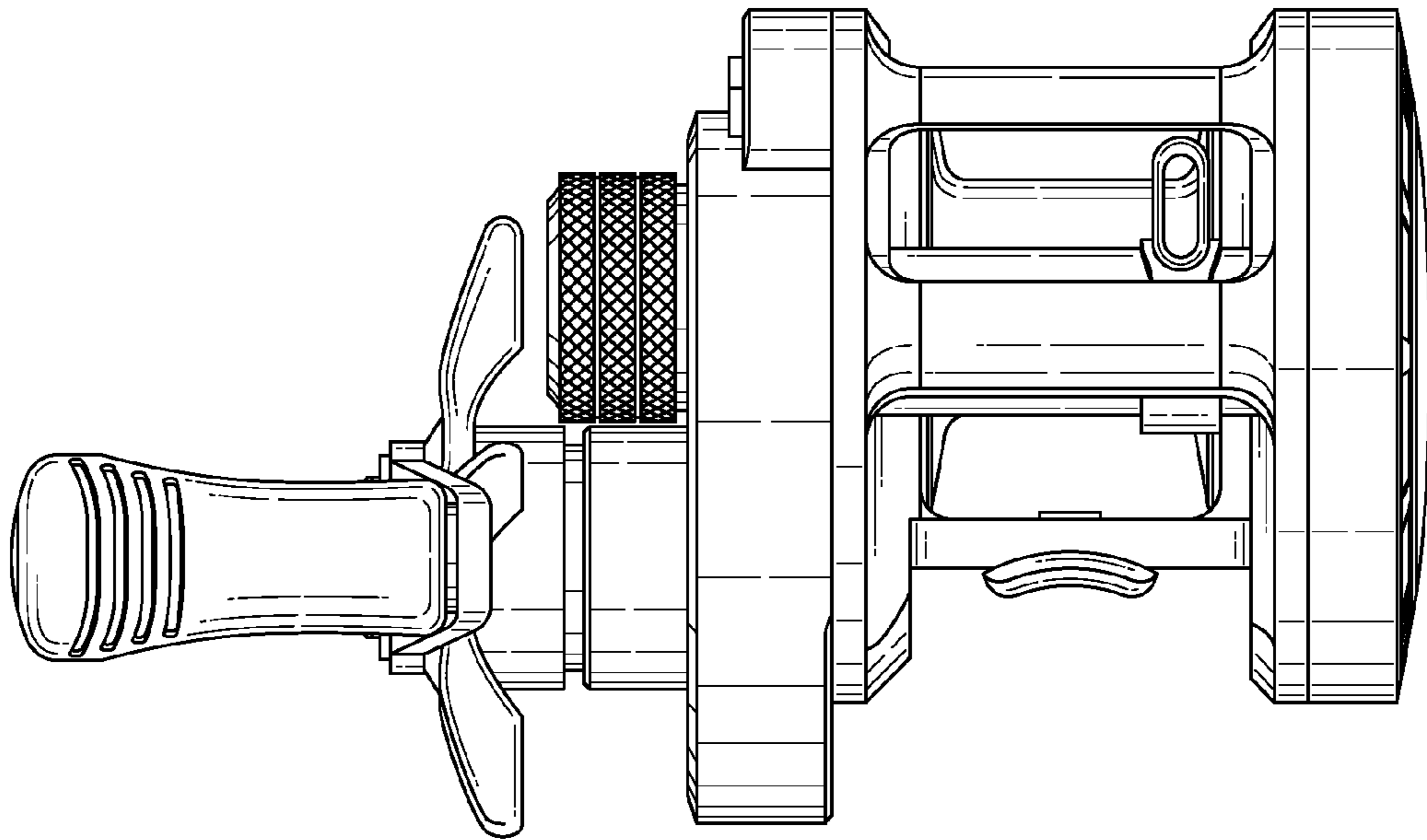


FIG.3

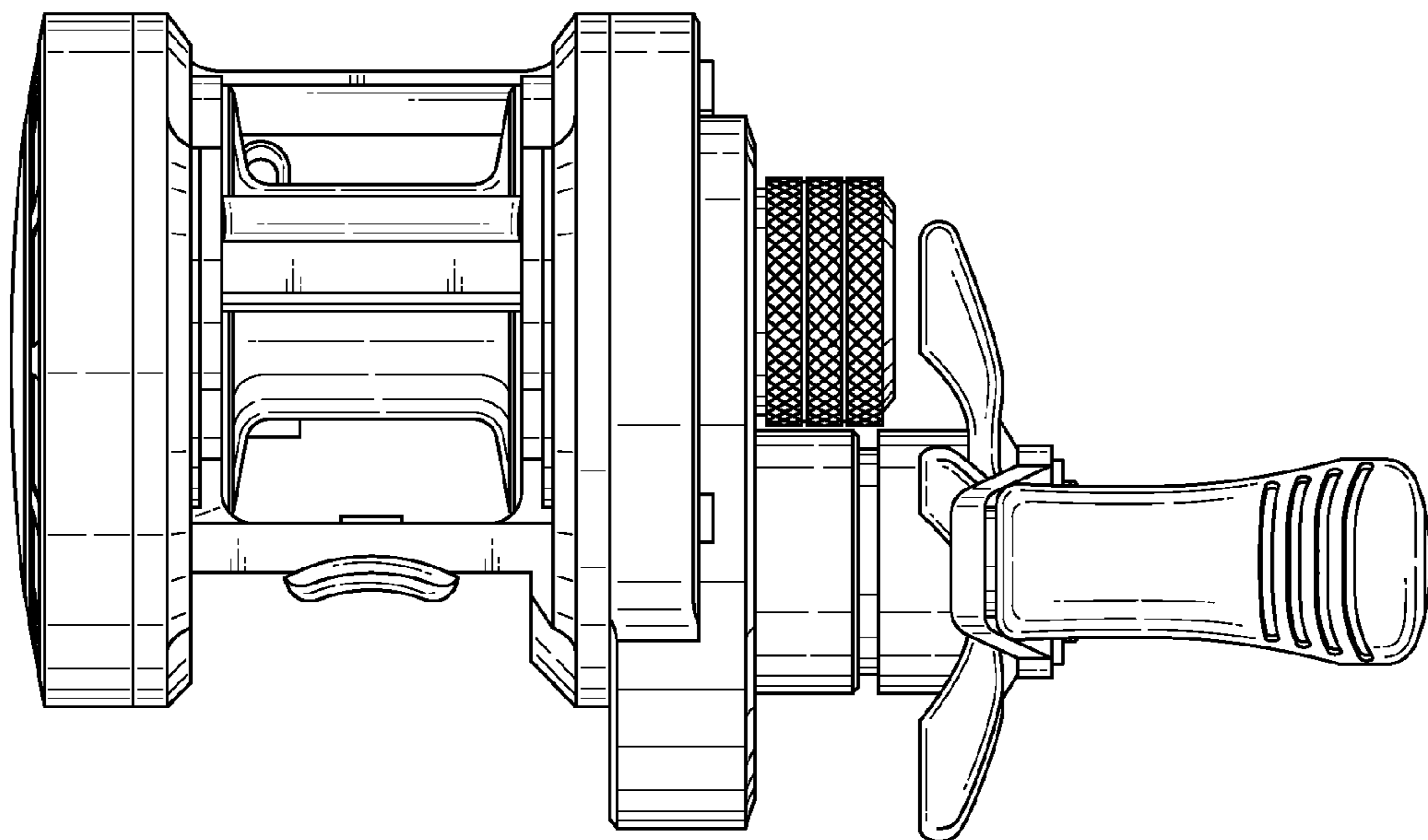


FIG.4

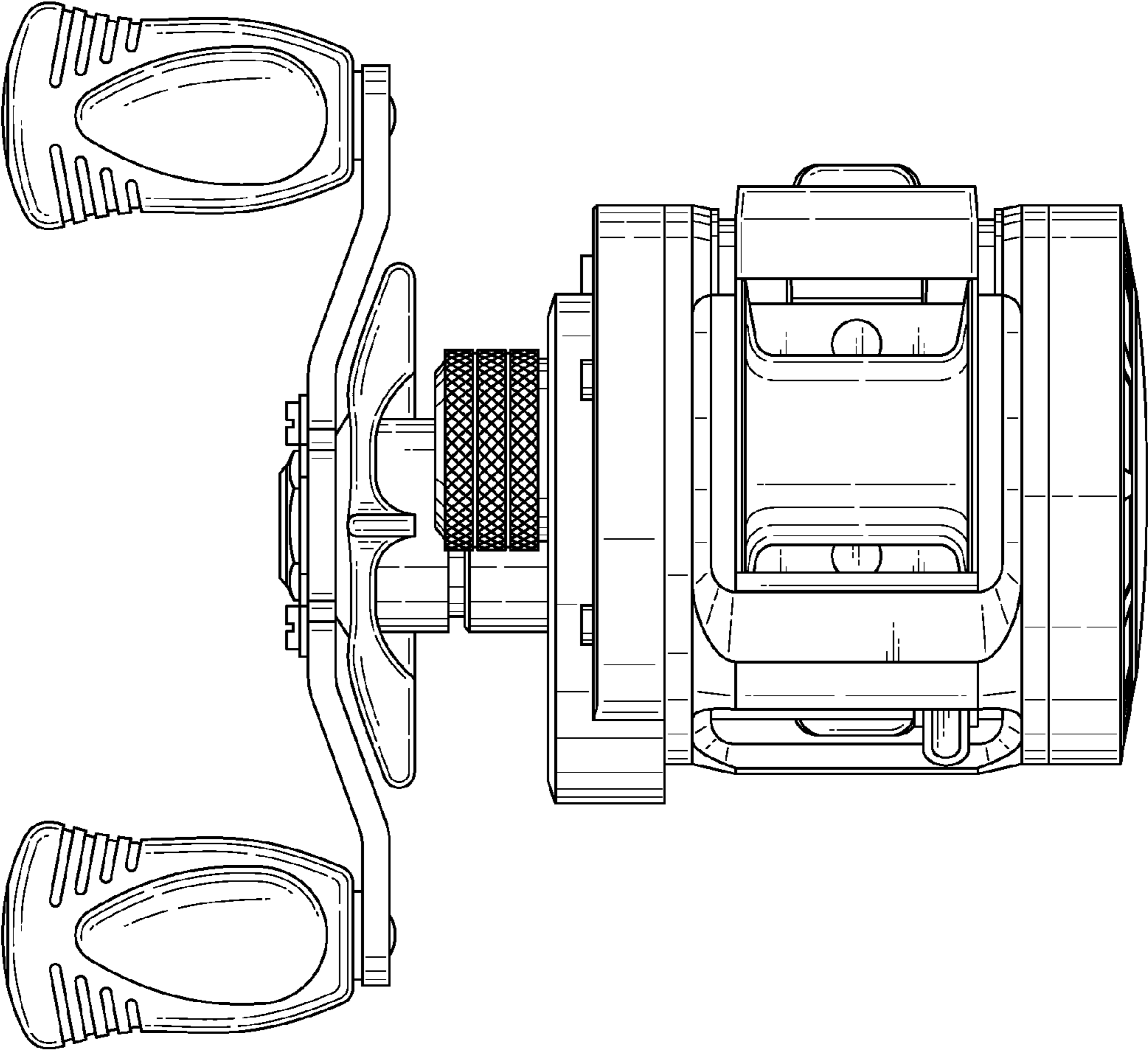


FIG.5

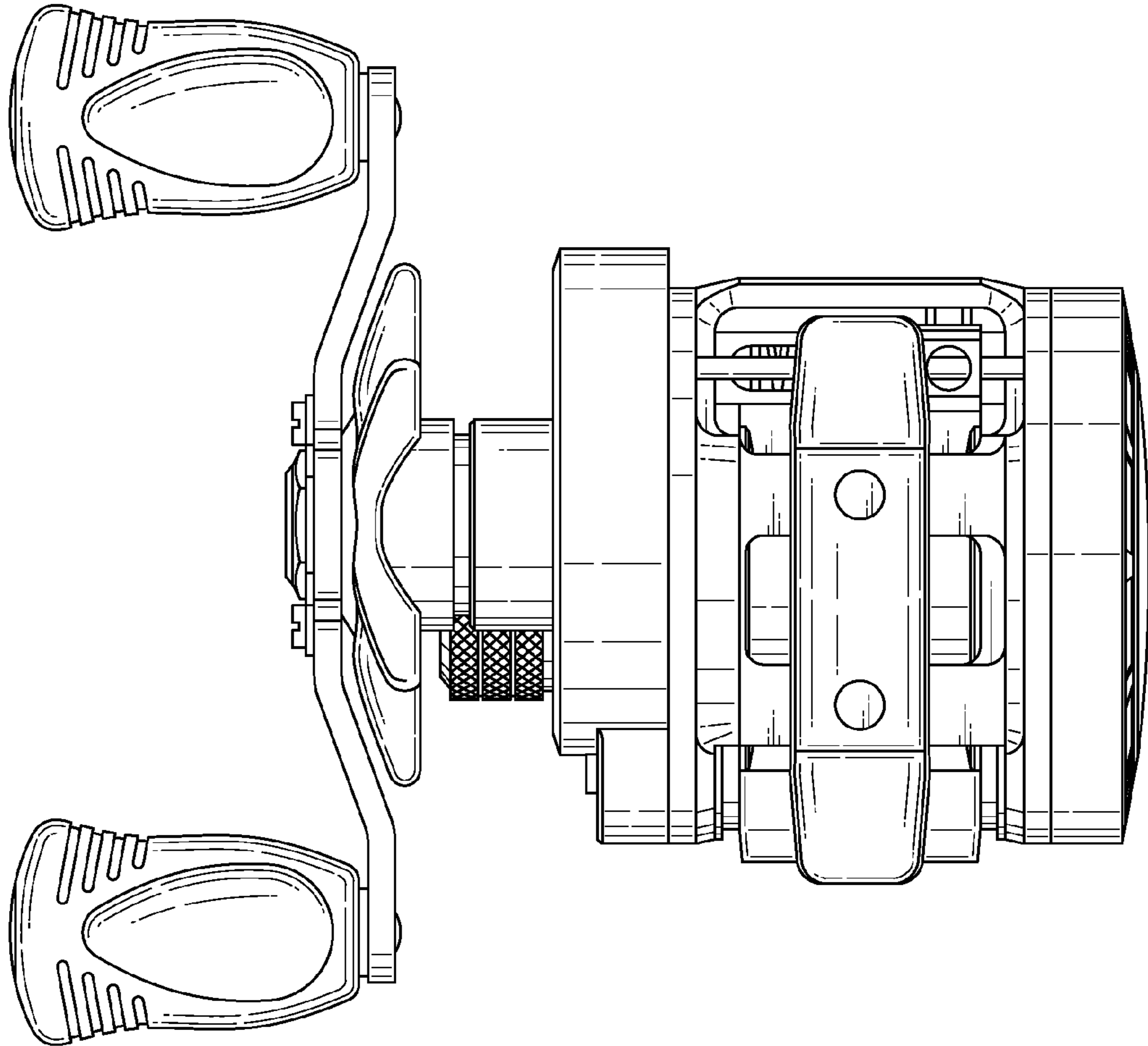


FIG.6

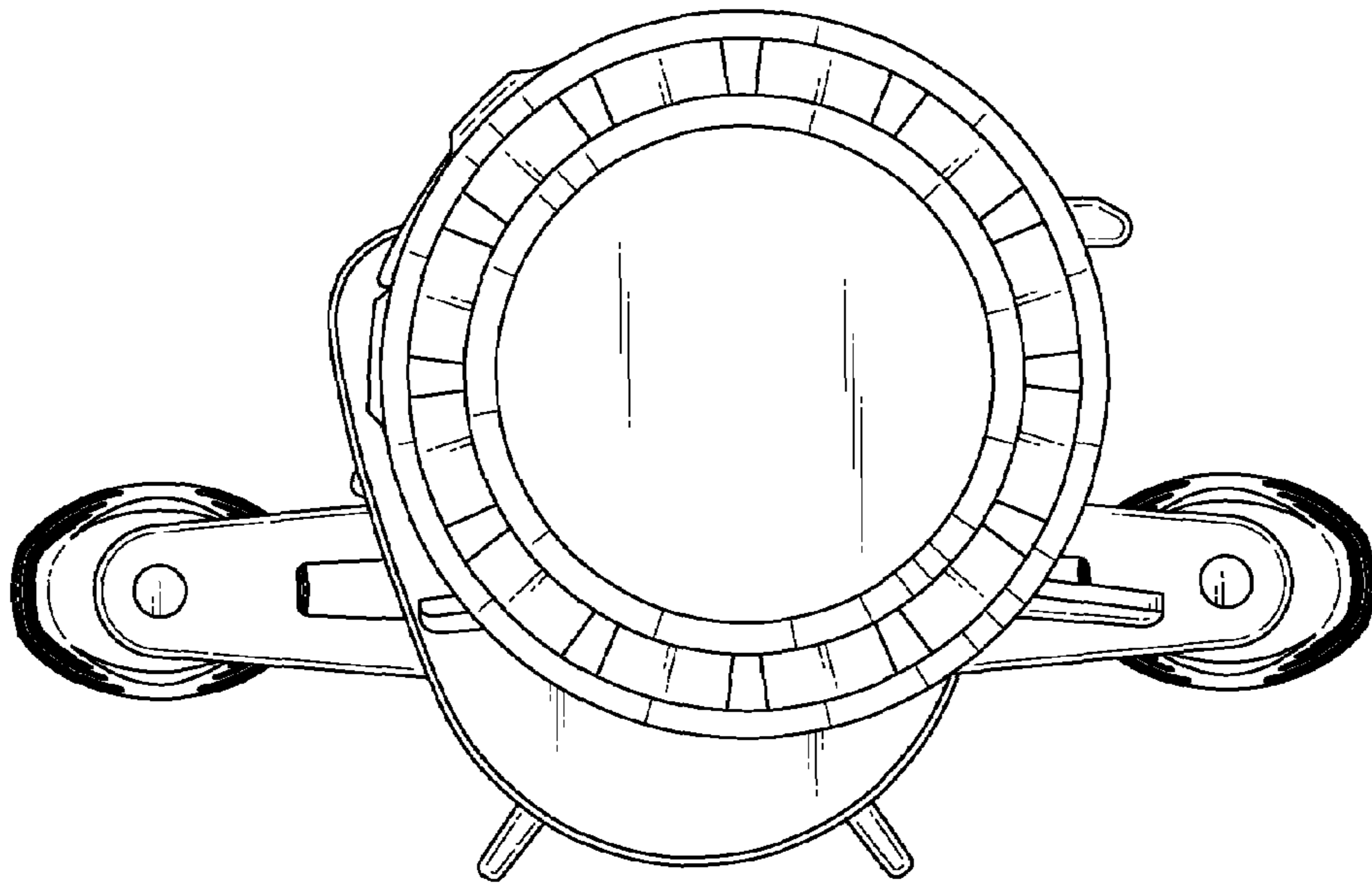


FIG. 7

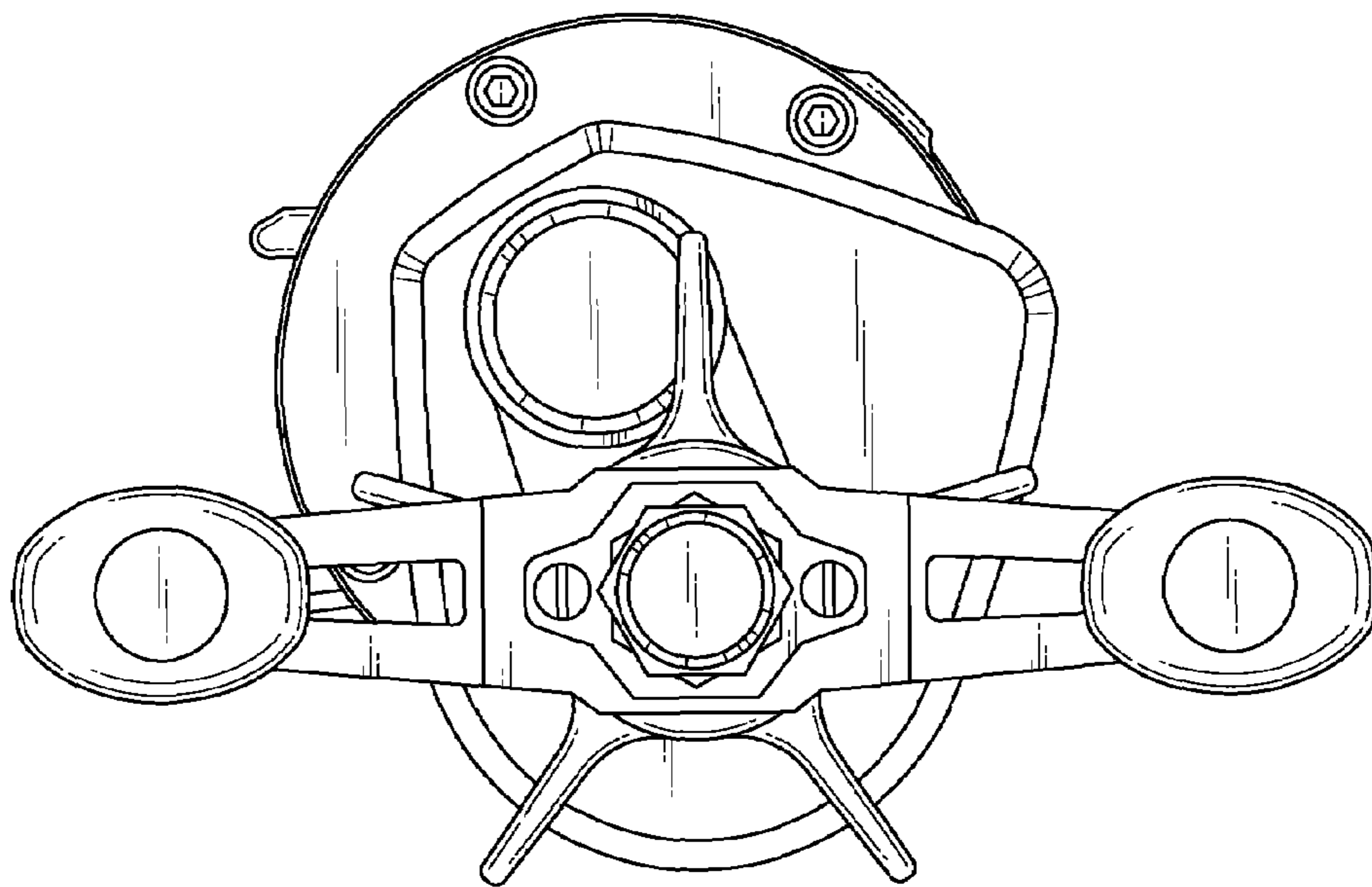


FIG. 8