



US00D609770S

(12) **United States Design Patent**
Mulfinger et al.

(10) **Patent No.:** **US D609,770 S**

(45) **Date of Patent:** **** Feb. 9, 2010**

(54) **RAIL MOUNTING APPARATUS**

(75) Inventors: **Robert Mulfinger**, York Haven, PA
(US); **Michael Narus**, Florham Park, NJ
(US); **Anthony Cautero**, Hackettstown,
NJ (US)

(73) Assignee: **The United States of America as
represented by the Secretary of the
Army**, Washington, DC (US)

(**) Term: **14 Years**

(21) Appl. No.: **29/339,508**

(22) Filed: **Jul. 1, 2009**

Related U.S. Application Data

(63) Continuation-in-part of application No. 11/307,638,
filed on Feb. 15, 2006.

(51) **LOC (9) Cl.** **22-01**

(52) **U.S. Cl.** **D22/110**

(58) **Field of Classification Search** D22/100,
D22/108, 109, 110, 199; 42/11, 113, 116,
42/119, 124, 125, 127, 90, 145, 128, 72,
42/106, 114, 85, 75.02, 71.01; 248/205.1,
248/201

See application file for complete search history.

(56) **References Cited**

U.S. PATENT DOCUMENTS

D235,339 S * 6/1975 Edstrom D22/109
D429,790 S * 8/2000 Plonka D22/110
6,594,938 B2 * 7/2003 Horton 42/127
6,629,381 B1 * 10/2003 Keng 42/124

2002/0162267 A1 * 11/2002 Nelson et al. 42/120
2004/0103577 A1 * 6/2004 Compton 42/85
2004/0255505 A1 * 12/2004 Fitzpatrick 42/72
2008/0072471 A1 * 3/2008 Keng 42/124
2008/0178511 A1 * 7/2008 Storch et al. 42/90
2008/0216380 A1 * 9/2008 Teetzel 42/127

* cited by examiner

Primary Examiner—T. Chase Nelson

Assistant Examiner—Michael A Pratt

(74) *Attorney, Agent, or Firm*—Henry S. Goldfine

(57) **CLAIM**

The ornamental design for a rail mounting apparatus, as
shown and described.

DESCRIPTION

The invention described and claimed herein may be manu-
factured, used and licensed by or for the U.S. Government for
U.S. Government purposes.

FIG. 1 is a perspective view of a rail mounting apparatus
showing our new design;

FIG. 2 is a front elevation view thereof;

FIG. 3. Is a back elevation view thereof;

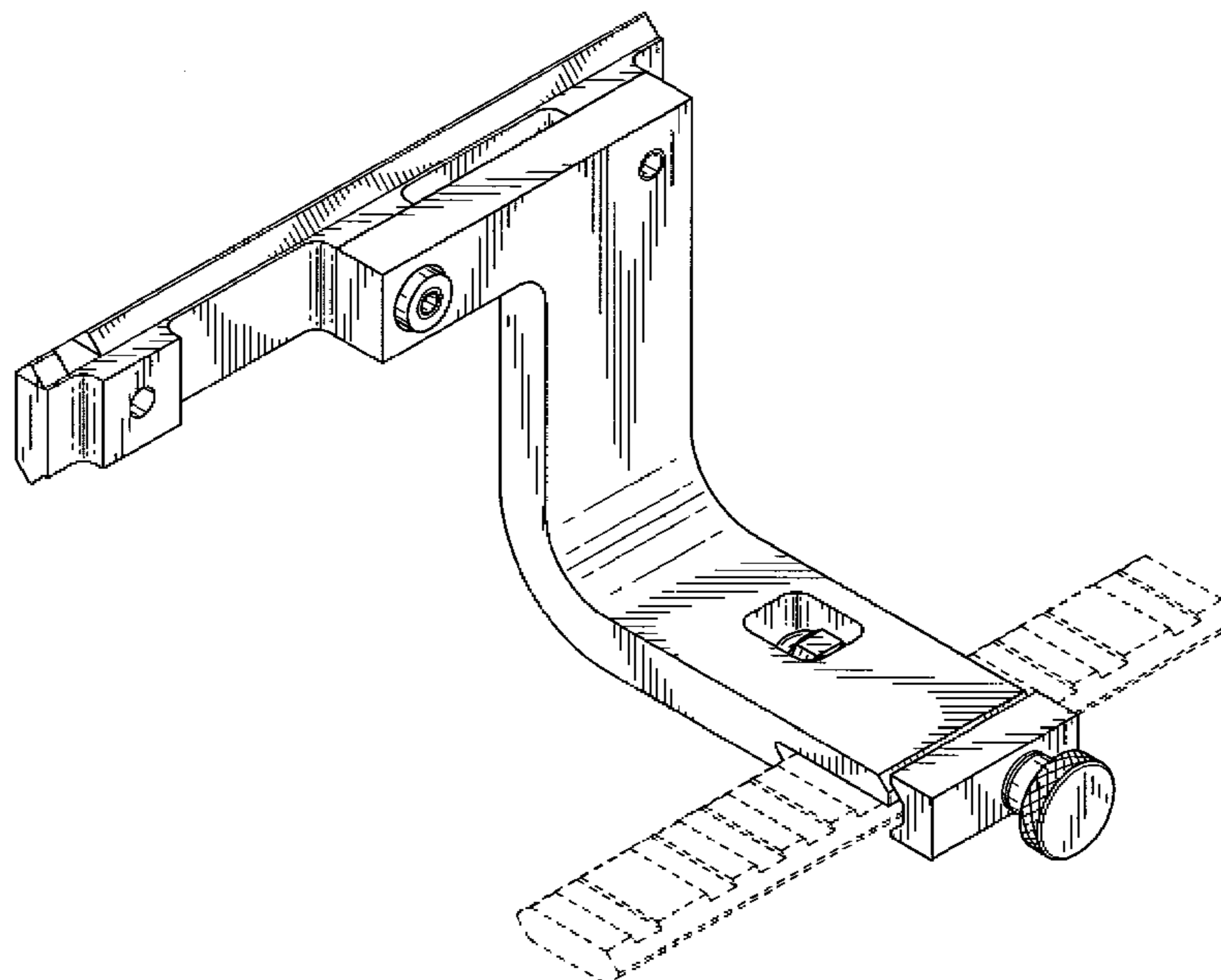
FIG. 4 is a left side elevation view thereof;

FIG. 5 is a top plan view thereof; and,

FIG. 6 is a bottom plan view thereof.

The broken line showing of portions of the rail mounting
apparatus and a rail mount for a rifle or machine gun in FIG.
1 is included for the purpose of illustrating environment and
forms no part of the claimed design.

1 Claim, 6 Drawing Sheets



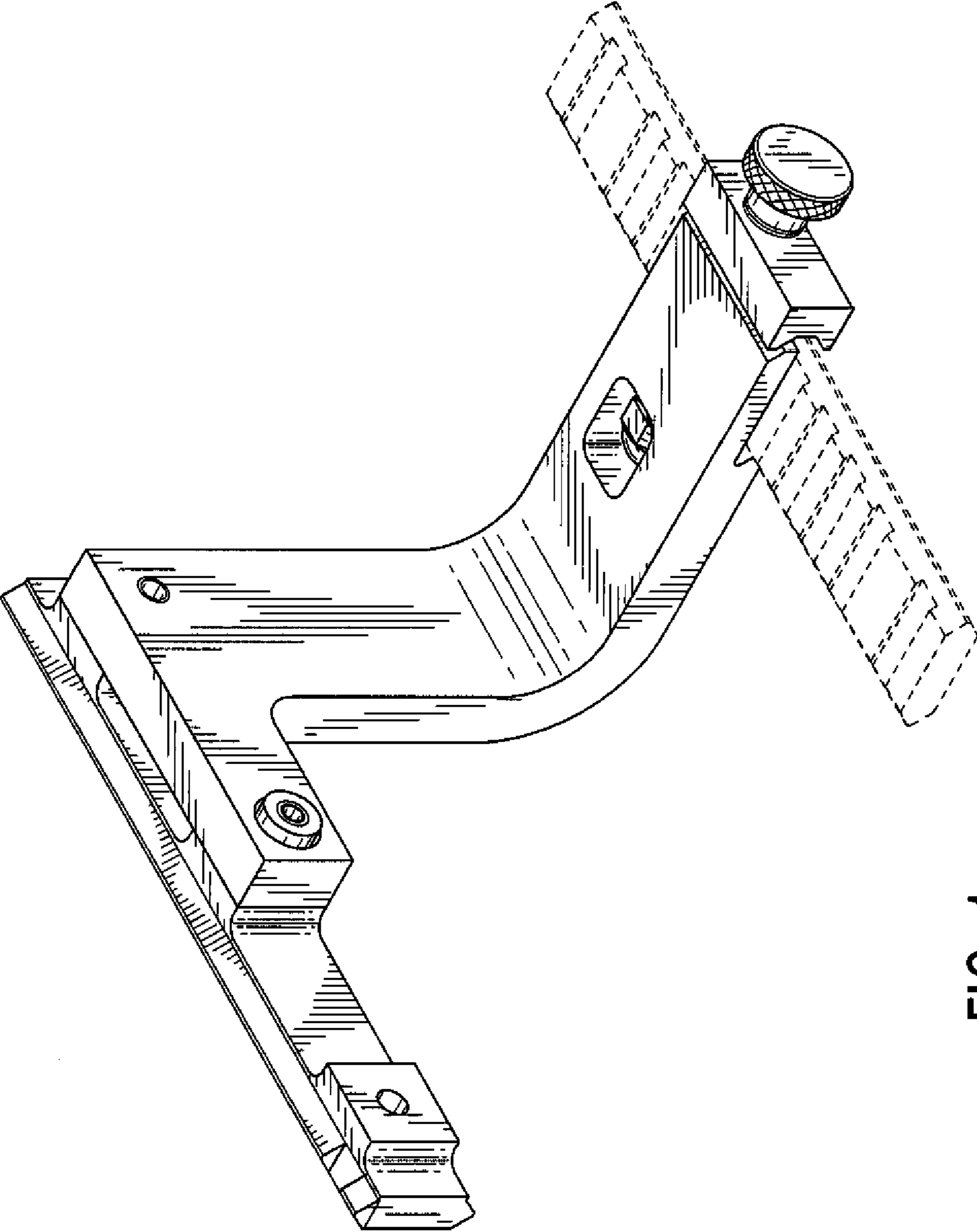


FIG. 1

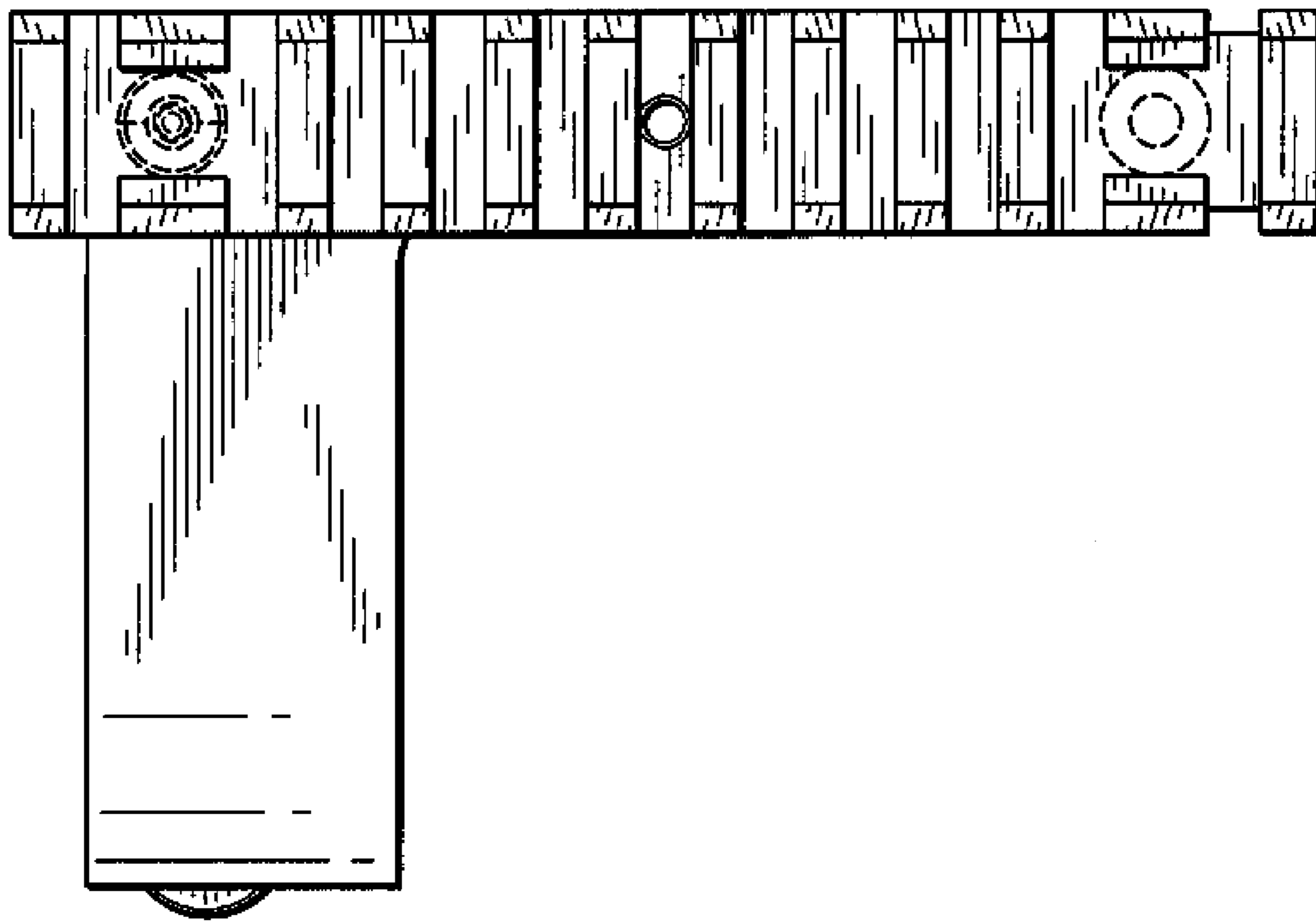
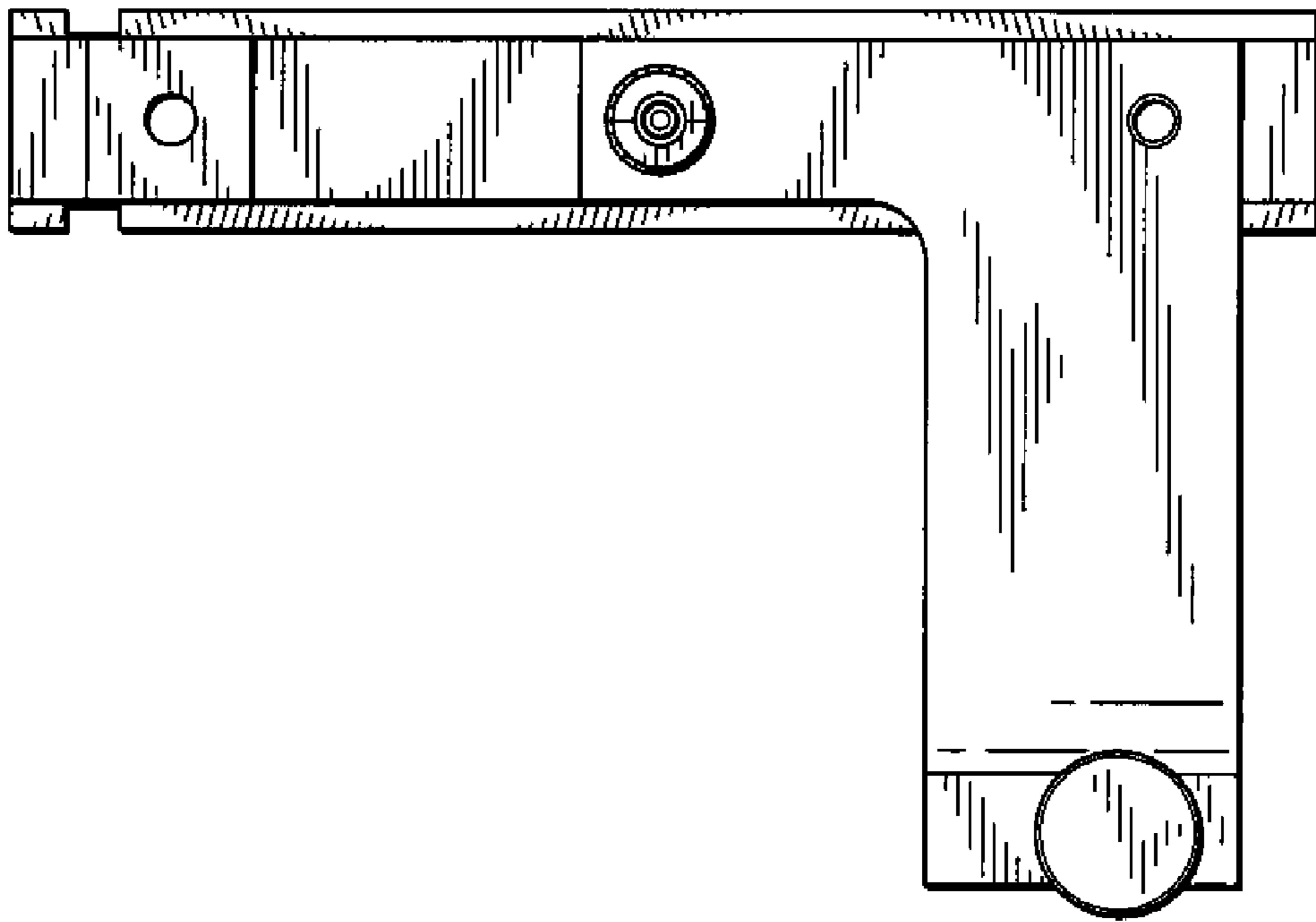


FIG. 2

FIG. 3



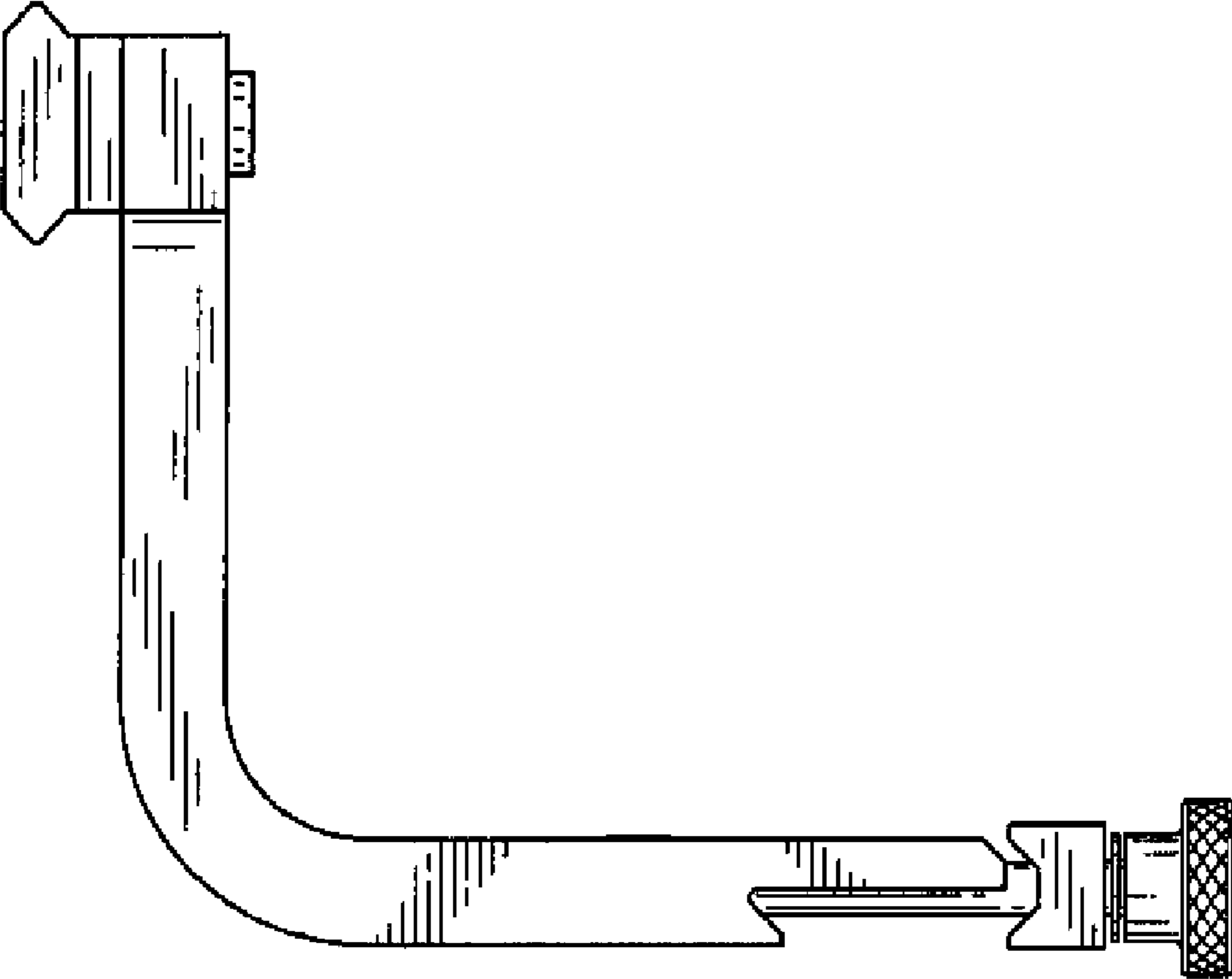


FIG. 4

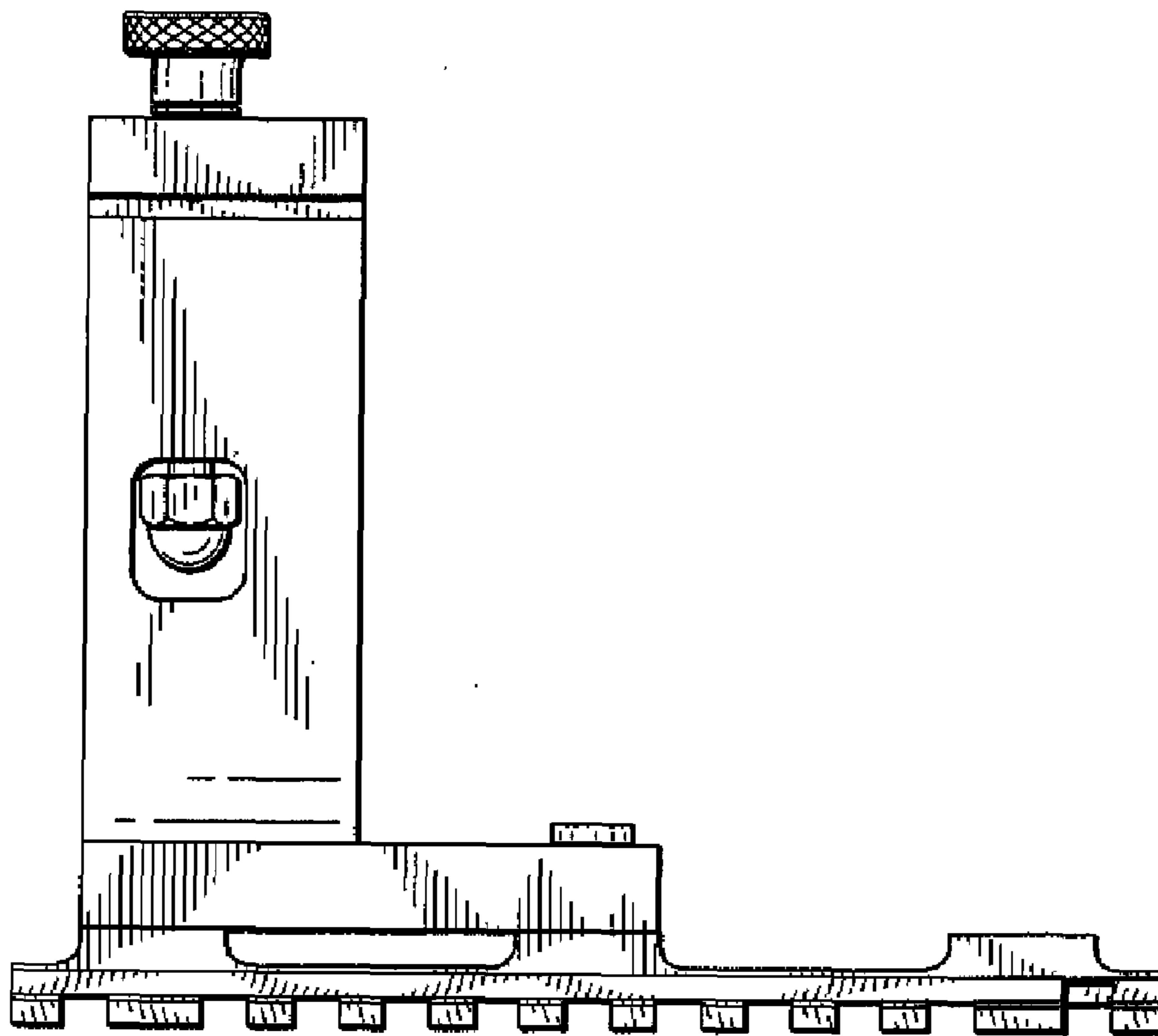


FIG. 5

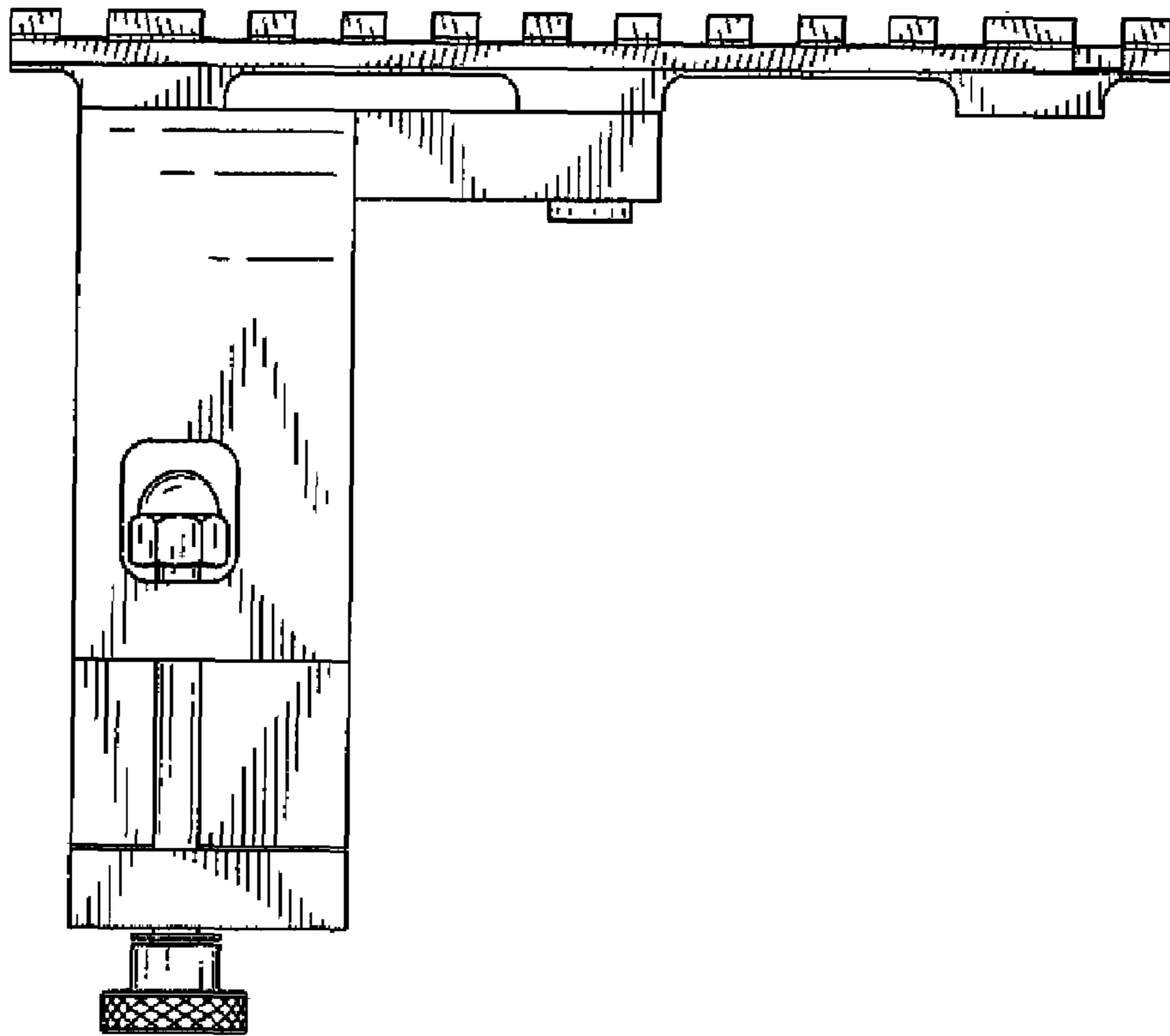


FIG. 6