



US00D609768S

(12) **United States Design Patent**
Moody et al.

(10) **Patent No.:** **US D609,768 S**

(45) **Date of Patent:** **** *Feb. 9, 2010**

(54) **VERTICAL FOREGRIP TOP**

(75) Inventors: **Joseph R. Moody**, Jacksonville, FL (US); **Joseph D. Gaddini**, Ashville, NC (US)

(73) Assignee: **Grip Pod Systems, LLC**, Jacksonville, FL (US)

(*) Notice: This patent is subject to a terminal disclaimer.

(**) Term: **14 Years**

(21) Appl. No.: **29/299,531**

(22) Filed: **Dec. 28, 2007**

Related U.S. Application Data

(63) Continuation-in-part of application No. 29/267,729, filed on Oct. 20, 2006, now Pat. No. Des. 566,220, which is a continuation-in-part of application No. 29/259,347, filed on May 5, 2006, now Pat. No. Des. 566,219, said application No. 29/299,531 is a continuation-in-part of application No. 11/485,762, filed on Jul. 13, 2006, now Pat. No. 7,490,429, which is a continuation-in-part of application No. 10/725,082, filed on Dec. 2, 2003, now Pat. No. 7,111,424.

(51) **LOC (9) Cl.** **22-01**

(52) **U.S. Cl.** **D22/109**

(58) **Field of Classification Search** D22/100, D22/108, 109, 110, 199; 42/11, 113, 116, 42/119, 124, 125, 127, 90, 145, 128, 72, 42/106, 114, 85, 75.02, 71.01; 124/205.1, 124/201

See application file for complete search history.

(56) **References Cited**

U.S. PATENT DOCUMENTS

271,251 A 1/1883 Leerbech et al.

(Continued)

FOREIGN PATENT DOCUMENTS

FR 2623595 5/1989

OTHER PUBLICATIONS

Denis H.R. Archer, M.A., *Jane's Infantry Weapons*, (1976) pp. 1-3. Brugger & Thornet Unipod, Forward grip with retractable bipod, [online], DSA Inc. Systems Second to None, DSA Order Center, 1 page, [Retrieved on Oct. 18, 2006] Retrieved from: <http://www.dsarms.com/item-detail.cfm?ID=BT21830A&storeid=1&image=bt21830A.gif>.

Primary Examiner—T. Chase Nelson

Assistant Examiner—Michael A Pratt

(74) *Attorney, Agent, or Firm*—Brian S. Steinberger; Law Offices of Brian S. Steinberger

(57) **CLAIM**

The ornamental design for a vertical foregrip top, as shown and described.

DESCRIPTION

FIG. 1 is an upper front left perspective of a vertical foregrip top

FIG. 2 is an upper front right perspective view of the design of FIG. 1.

FIG. 3 is an upper rear right perspective view of the design of FIG. 1.

FIG. 4 is an upper rear left perspective view of the design of FIG. 1.

FIG. 5 is a lower front left perspective view of the design of FIG. 1.

FIG. 6 is a lower front right perspective view of the design of FIG. 1.

FIG. 7 is a front elevation view of the design of FIG. 1.

FIG. 8 is a rear elevation view of the design of FIG. 1.

FIG. 9 is a top plan view of the design of FIG. 1.

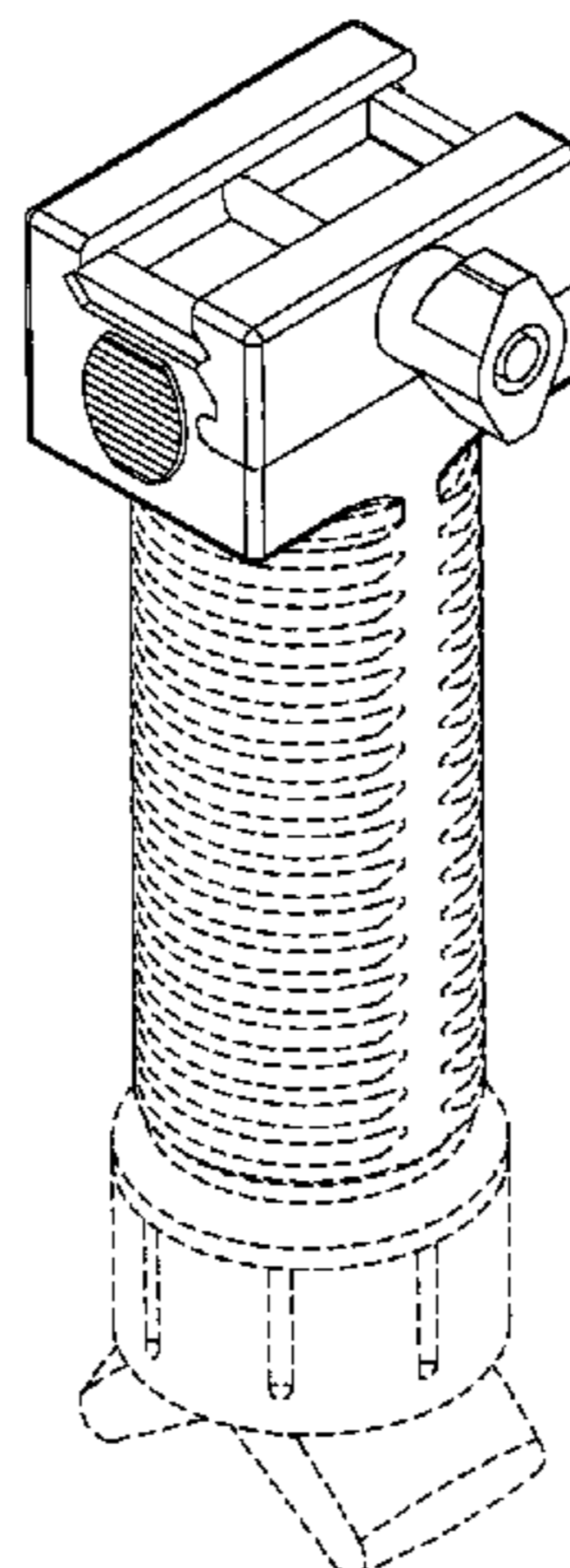
FIG. 10 is a bottom plan view of the design of FIG. 1.

FIG. 11 is a left side elevation view of the design of FIG. 1; and,

FIG. 12 is a right side elevation view of the design of FIG. 1.

The broken lines in FIGS. 1–12 are for illustrative purposes and form no part of the claimed design.

1 Claim, 11 Drawing Sheets



US D609,768 S

Page 2

U.S. PATENT DOCUMENTS					
575,529	A	1/1897 Stephens	D346,636	S *	5/1994 Bechtel D22/108
721,425	A	2/1903 Clyde	5,345,706	A	9/1994 Brown
1,295,688	A	2/1919 Butler	5,384,609	A	1/1995 Ogawa et al.
1,355,660	A	10/1920 Farquhar et al.	D356,137	S *	3/1995 Hull et al. D22/108
1,382,409	A	6/1921 Butler	5,438,786	A	8/1995 Hilderbrand
1,580,406	A	4/1926 Browning	D390,301	S *	2/1998 Peterson D22/108
2,386,802	A	10/1945 Johnson	6,289,622	B1	9/2001 Desch, Jr. et al.
2,420,267	A	5/1947 Sefried	6,487,807	B1	12/2002 Kopman et al.
2,436,349	A	2/1948 Adams	7,111,424	B1 *	9/2006 Moody et al. 42/72
2,489,283	A	11/1949 Garand	7,121,034	B2 *	10/2006 Keng 42/71.01
2,763,456	A	9/1956 Breer	7,222,451	B2 *	5/2007 Keng et al. 42/94
3,235,997	A	2/1966 Stoner	2004/0000083	A1 *	1/2004 Grant, Jr. 42/112
3,632,073	A	1/1972 Nakatani	2004/0103577	A1 *	6/2004 Compton 42/85
4,121,799	A	10/1978 Michio	2005/0011104	A1 *	1/2005 Oz 42/124
4,545,660	A	10/1985 Rudolf	2005/0241206	A1	11/2005 Teetzal et al.
D304,062	S *	10/1989 Barrett D22/103	2006/0277809	A1 *	12/2006 Moody et al. 42/72
			2007/0079541	A1 *	4/2007 Peterson 42/94
					* cited by examiner

FIG. 1

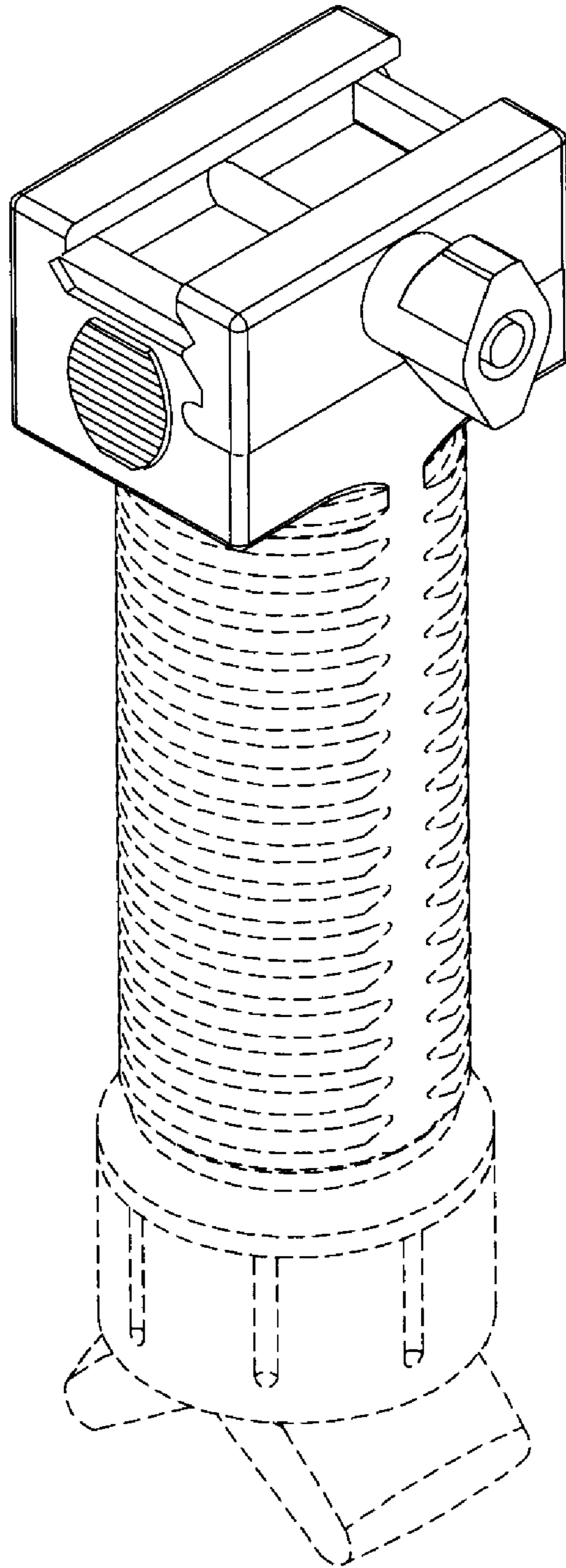


FIG. 2

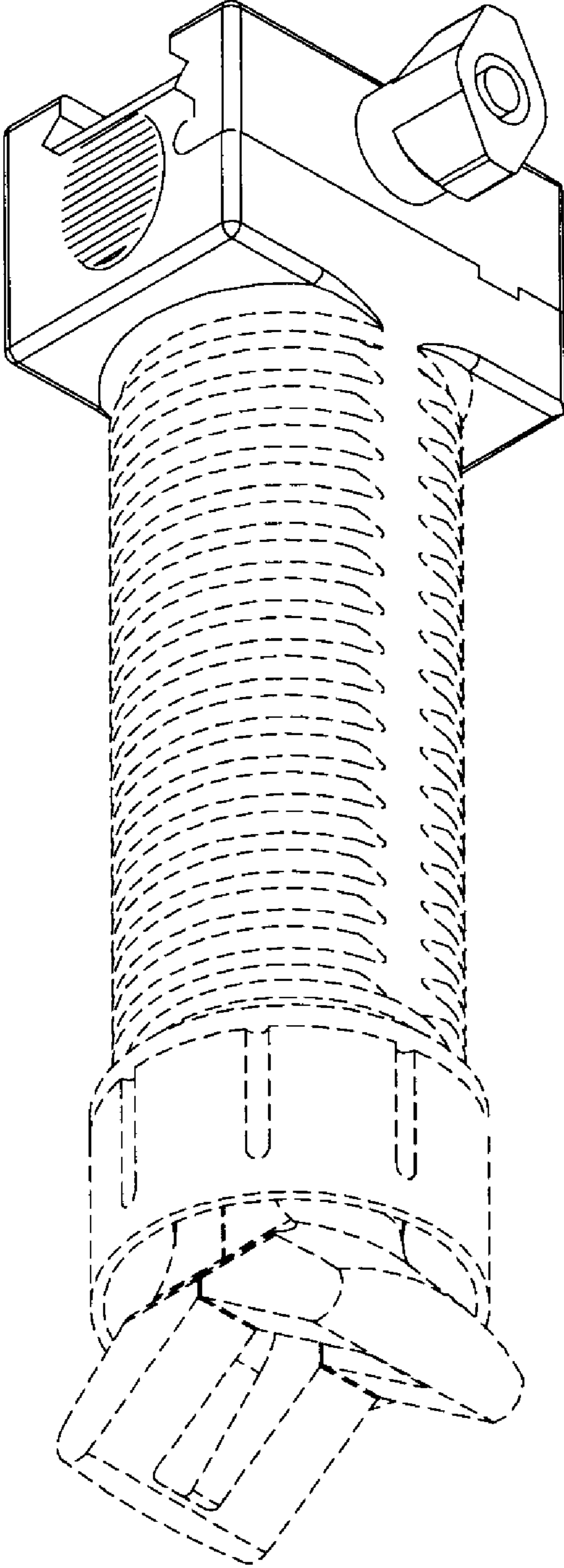


FIG. 3

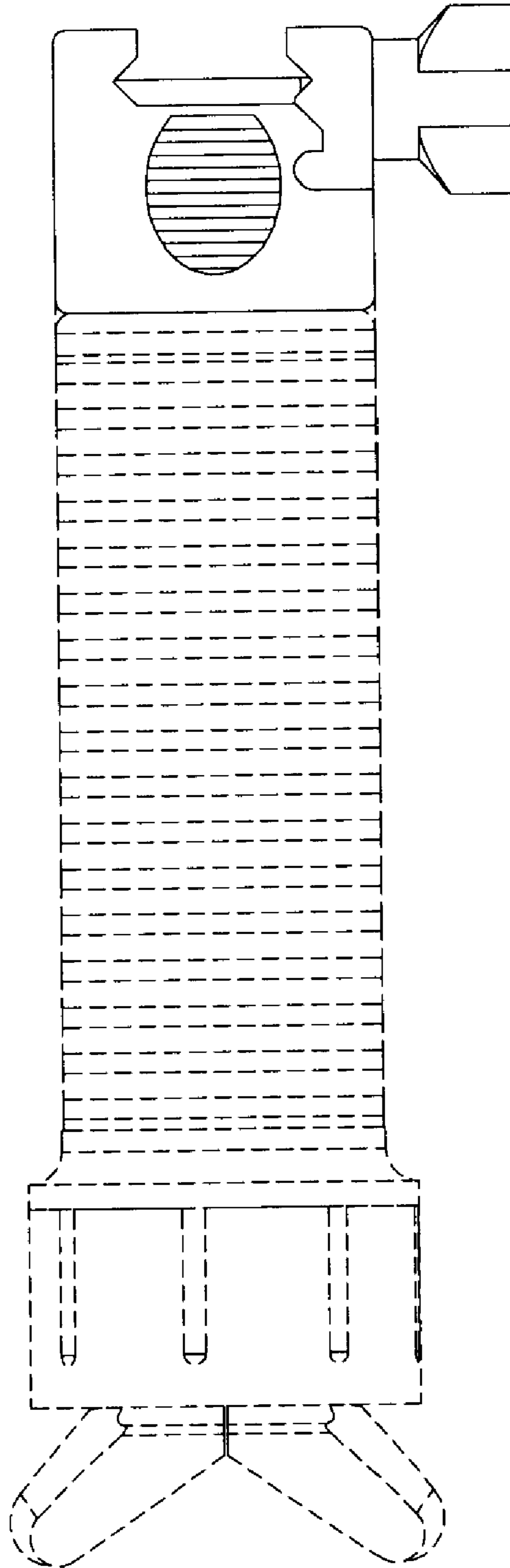


FIG. 4

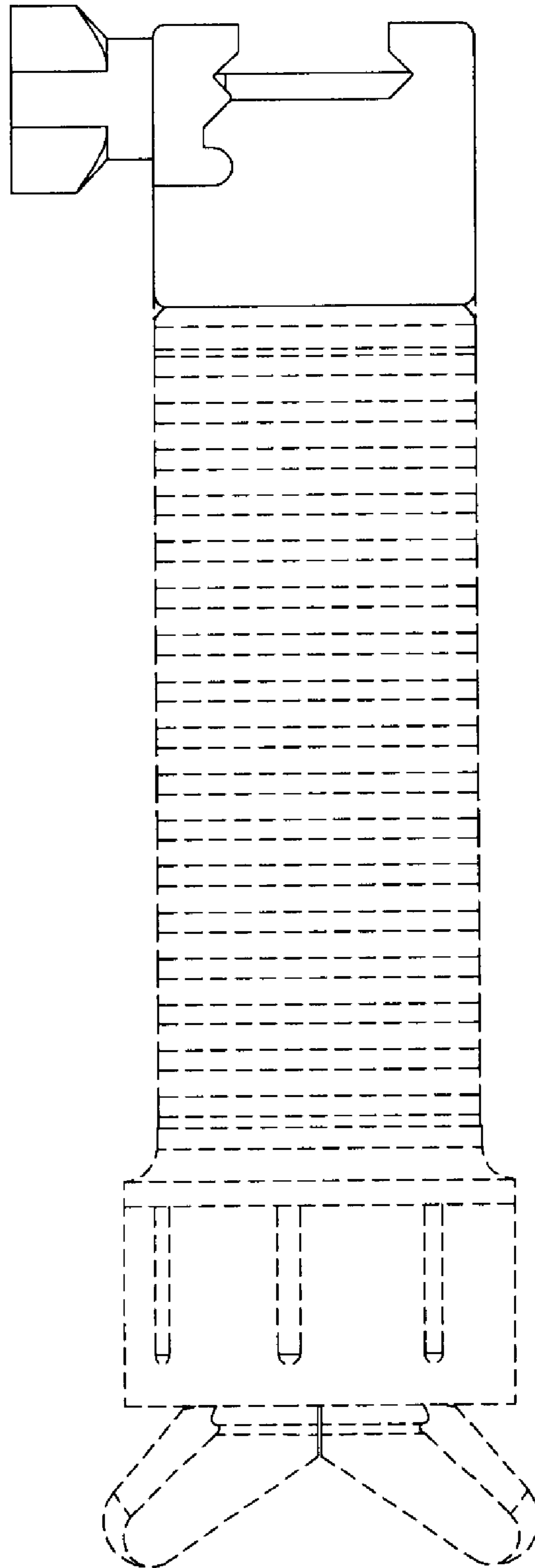


FIG. 5

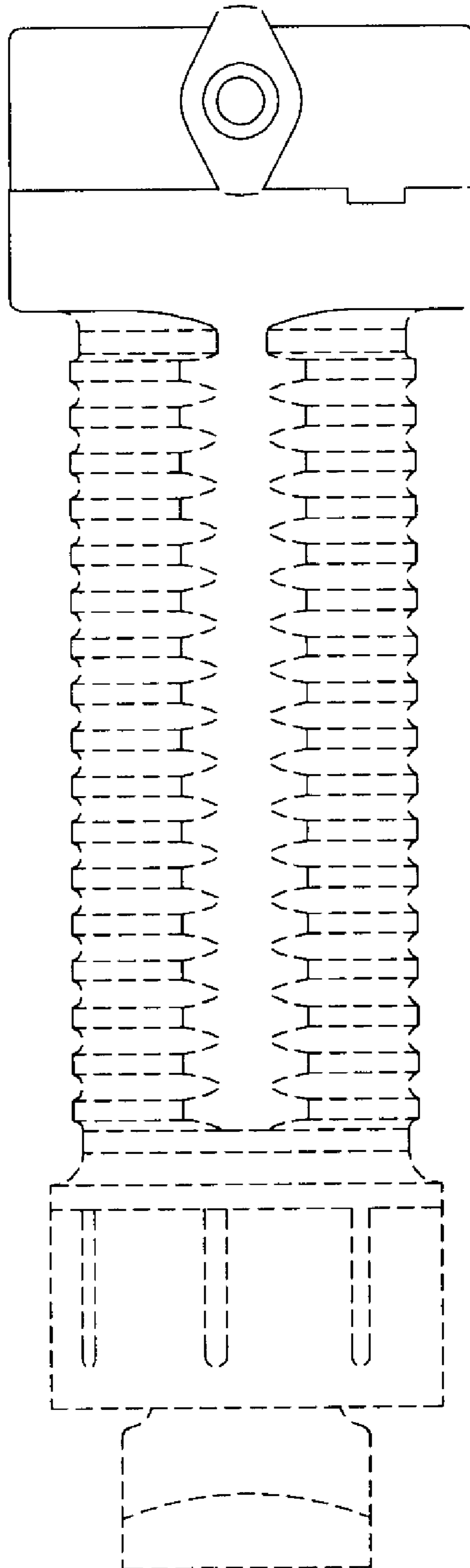


FIG. 6

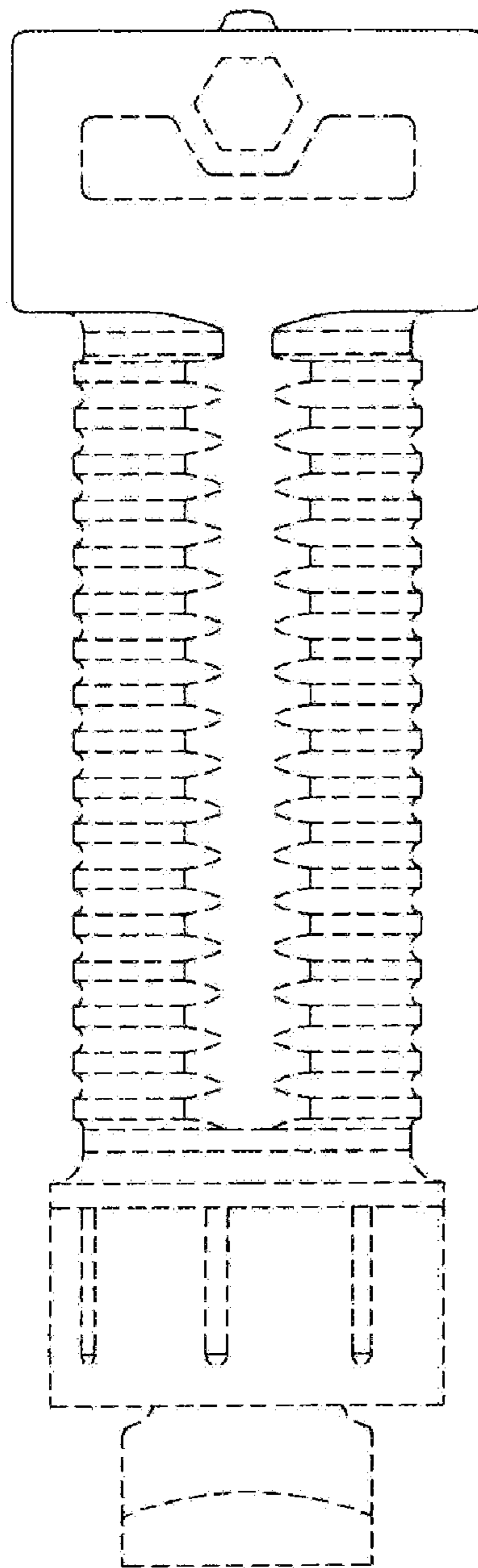


FIG. 7

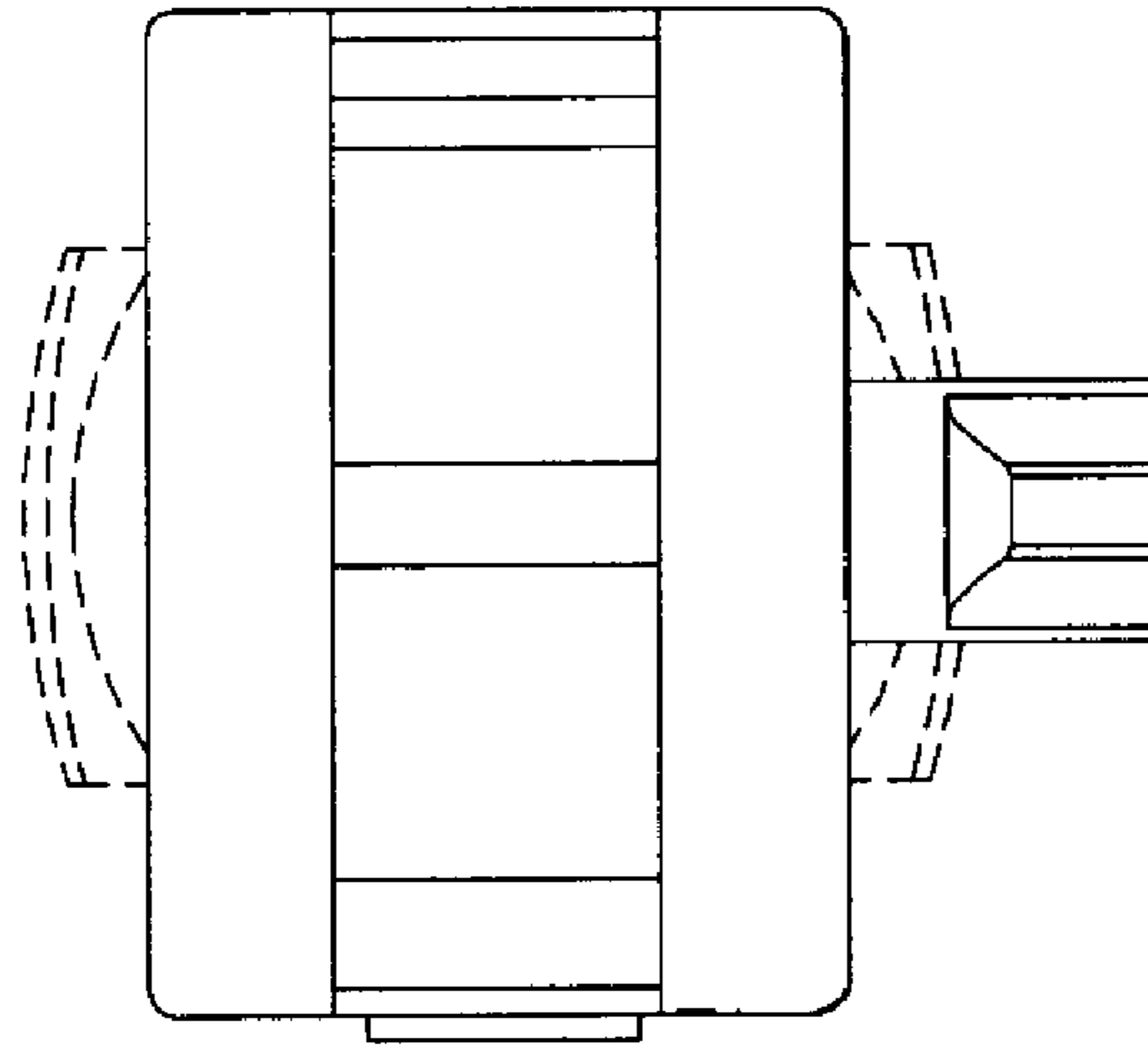


FIG. 8

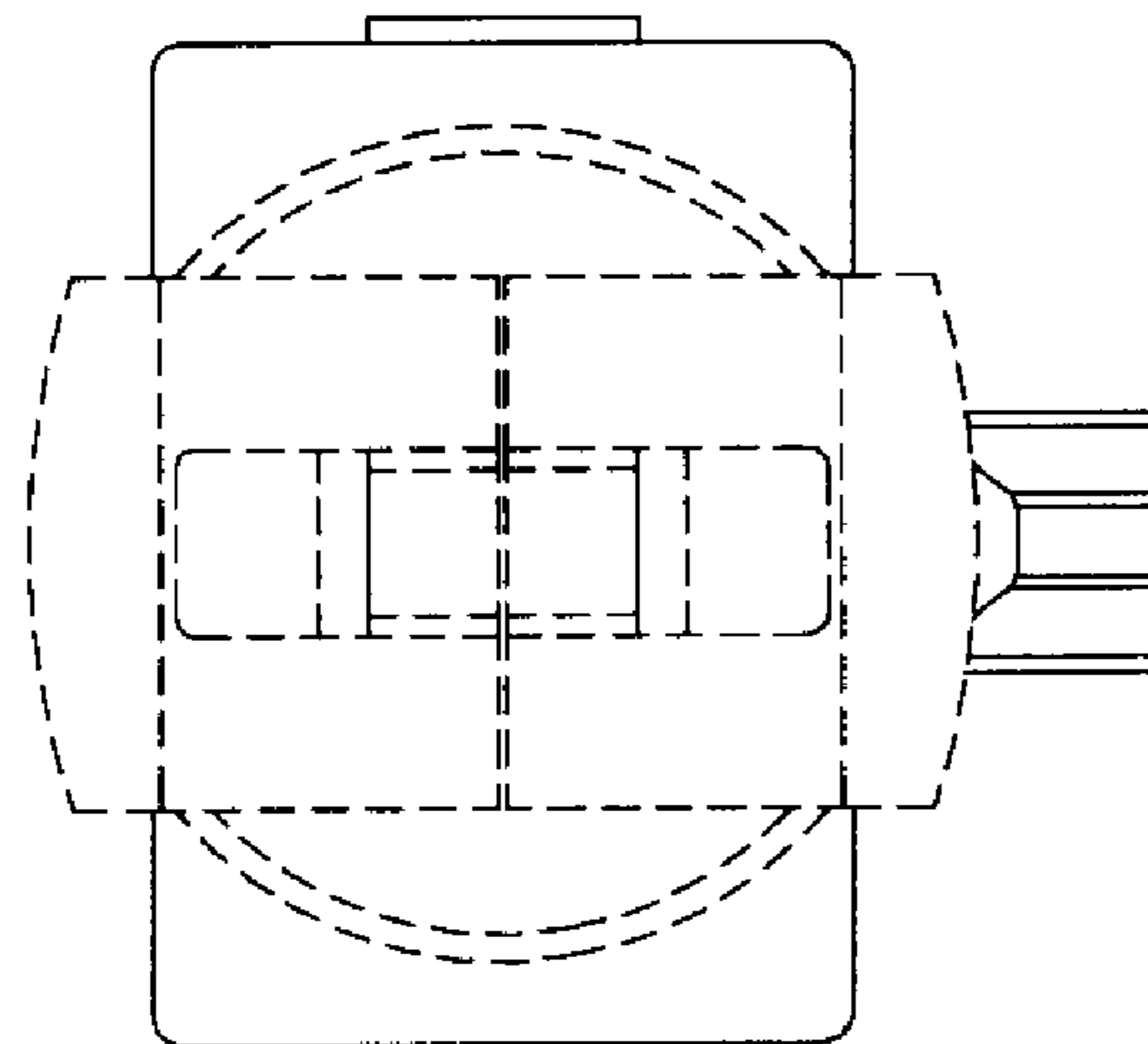


FIG. 9

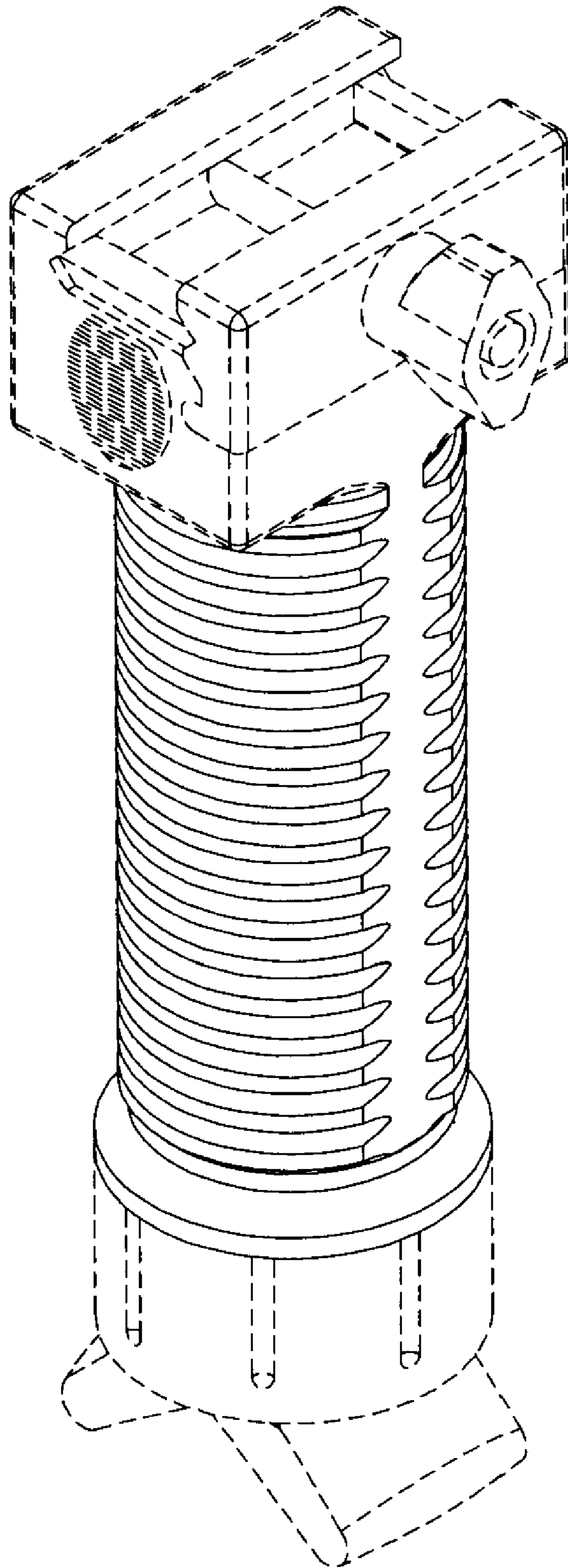


FIG. 10

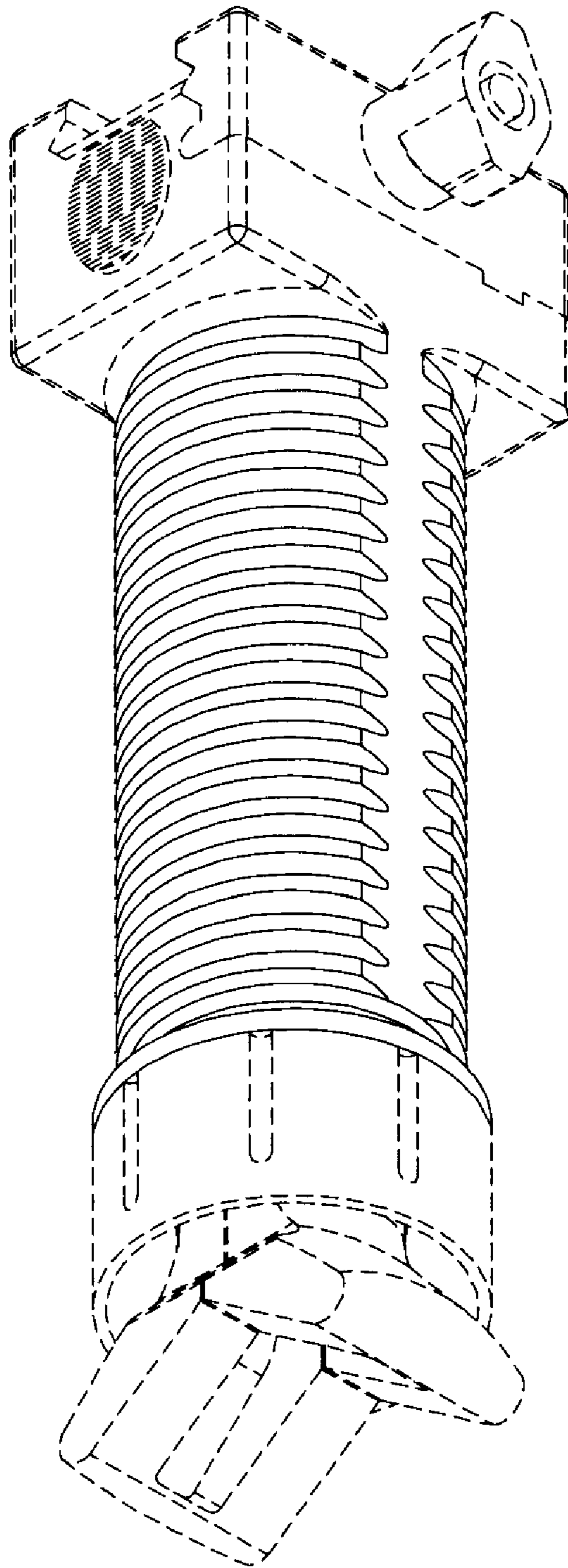


FIG. 11

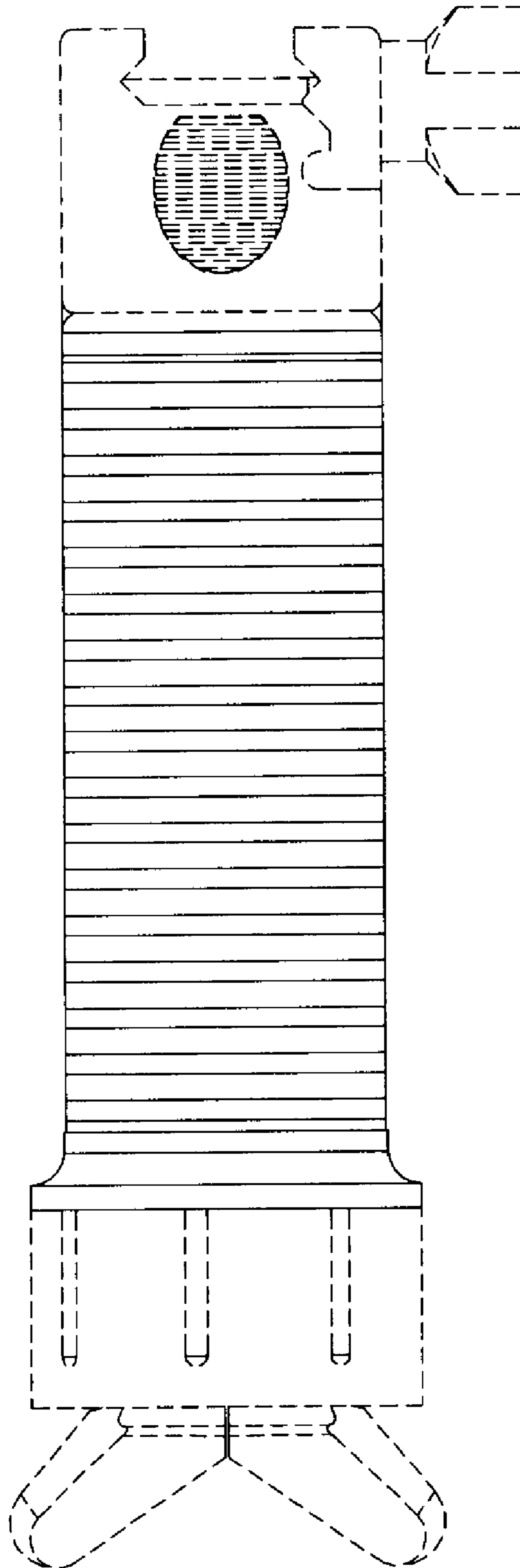


FIG. 12

