



US00D609766S

(12) **United States Design Patent**
Wilgus et al.

(10) **Patent No.:** **US D609,766 S**
(45) **Date of Patent:** **** Feb. 9, 2010**

(54) **TENT**

(75) Inventors: **Mitchell L. Wilgus**, Andover, KS (US);
Nicholas Wayne Vaughn, Derby, KS
(US); **Katie T. Sparks**, Wichita, KS
(US); **Yinyun Sherri Culp**, Wichita, KS
(US); **Daniel E. DeBrunner**, Wichita,
KS (US)

(73) Assignee: **The Coleman Company, Inc.**, Wichita,
KS (US)

(**) Term: **14 Years**

(21) Appl. No.: **29/321,394**

(22) Filed: **Jul. 16, 2008**

(51) **LOC (9) Cl.** **21-04**

(52) **U.S. Cl.** **D21/834**

(58) **Field of Classification Search** D12/834,
D12/836-839; D25/13, 16, 17, 18, 20, 26,
D25/32, 56, 57; 135/87, 90, 96-99, 121,
135/124-128, 135, 143, 157, 117, 900, 908,
135/115; 296/158-161

See application file for complete search history.

(56) **References Cited**

U.S. PATENT DOCUMENTS

4,078,572	A	*	3/1978	Moss	135/97
4,165,757	A		8/1979	Marks		
4,858,635	A		8/1989	Eppenbach		
4,886,084	A	*	12/1989	Lawrence et al.	135/124
5,159,948	A	*	11/1992	Moreau et al.	135/125
D351,011	S	*	9/1994	Tsai	D21/834
D382,621	S	*	8/1997	Bohart	D21/834
D403,041	S	*	12/1998	Funk	D21/834
5,871,026	A	*	2/1999	Lin	135/98
5,884,646	A	*	3/1999	Ju	135/135
D457,590	S	*	5/2002	Olson et al.	D21/834
D470,559	S	*	2/2003	Funk et al.	D21/834
D478,645	S	*	8/2003	Pearcy	D21/834
6,763,841	B1		7/2004	Cantwell		
7,128,077	B2		10/2006	Cantwell		
7,140,376	B2		11/2006	Zheng		

D534,614	S	*	1/2007	Galloway et al.	D21/834
7,261,116	B2		8/2007	Cantwell		
D562,425	S	*	2/2008	Dalland et al.	D21/837
2002/0134415	A1	*	9/2002	Boulangue	135/117
2007/0044827	A1		3/2007	Yul et al.		
2007/0095377	A1		5/2007	Poulson		

* cited by examiner

Primary Examiner—Holly H Baynham

Assistant Examiner—Cynthia M Chin

(74) *Attorney, Agent, or Firm*—Kelly S. Elsea

(57) **CLAIM**

The ornamental design for a tent, as shown and described.

DESCRIPTION

FIG. 1 is a front side perspective view of our tent, with the tent fly cover in place;

FIG. 2 is a rear side perspective view thereof;

FIG. 3 is a front elevation view thereof;

FIG. 4 is a rear elevation view thereof;

FIG. 5 is a left side elevation view thereof;

FIG. 6 is a right side elevation view thereof;

FIG. 7 is a top plan view thereof;

FIG. 8 is a front side perspective view of our tent, with the tent fly cover removed. The claim being directed to the appearance of a combined tent and tent fly as shown in FIGS. 1-7, the tent fly being removed from the tent to show aspects of the Claim not apparent from FIGS. 1-7.

FIG. 9 is a rear side perspective view thereof;

FIG. 10 is a front elevation view thereof;

FIG. 11 is a rear elevation view thereof;

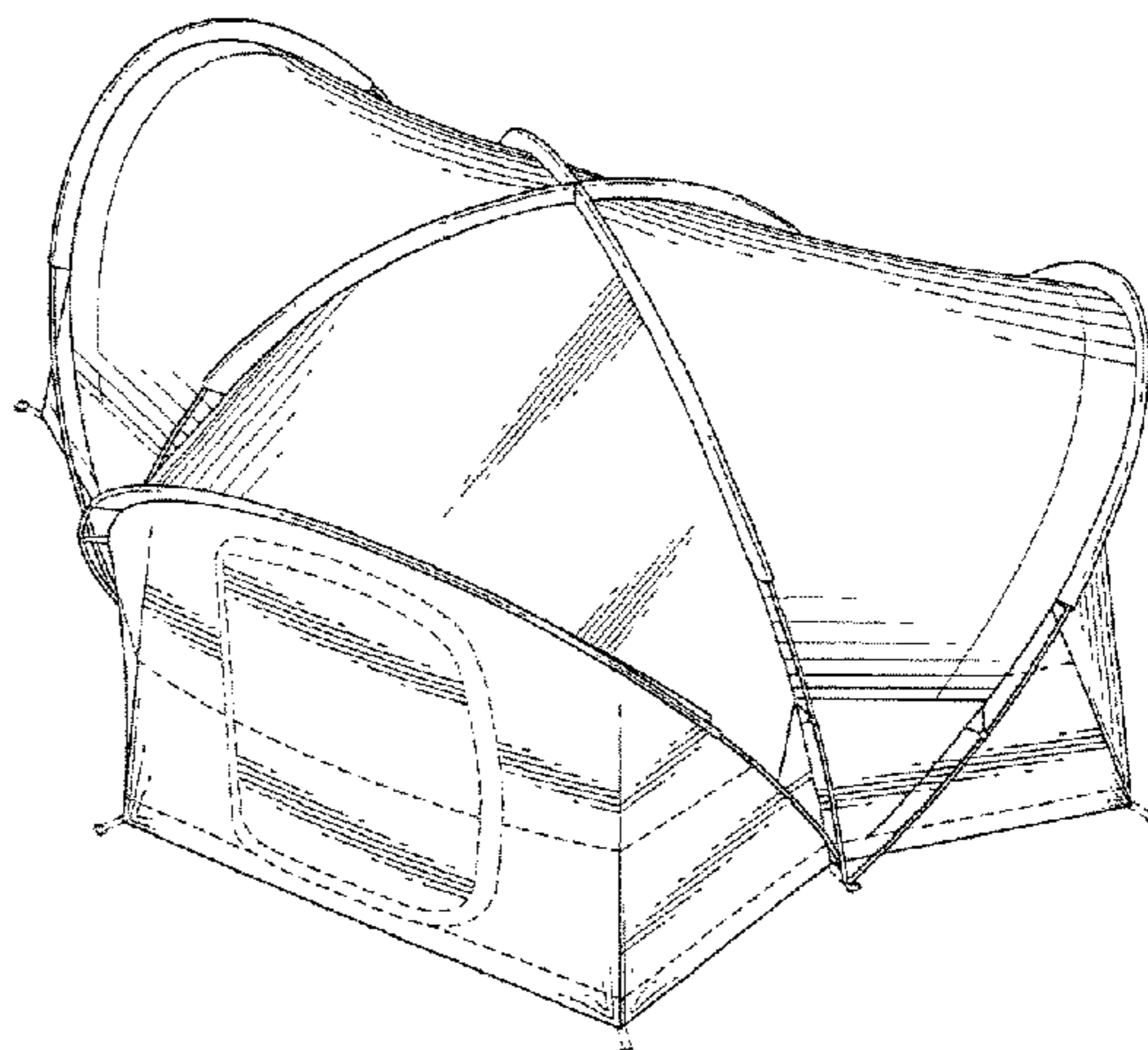
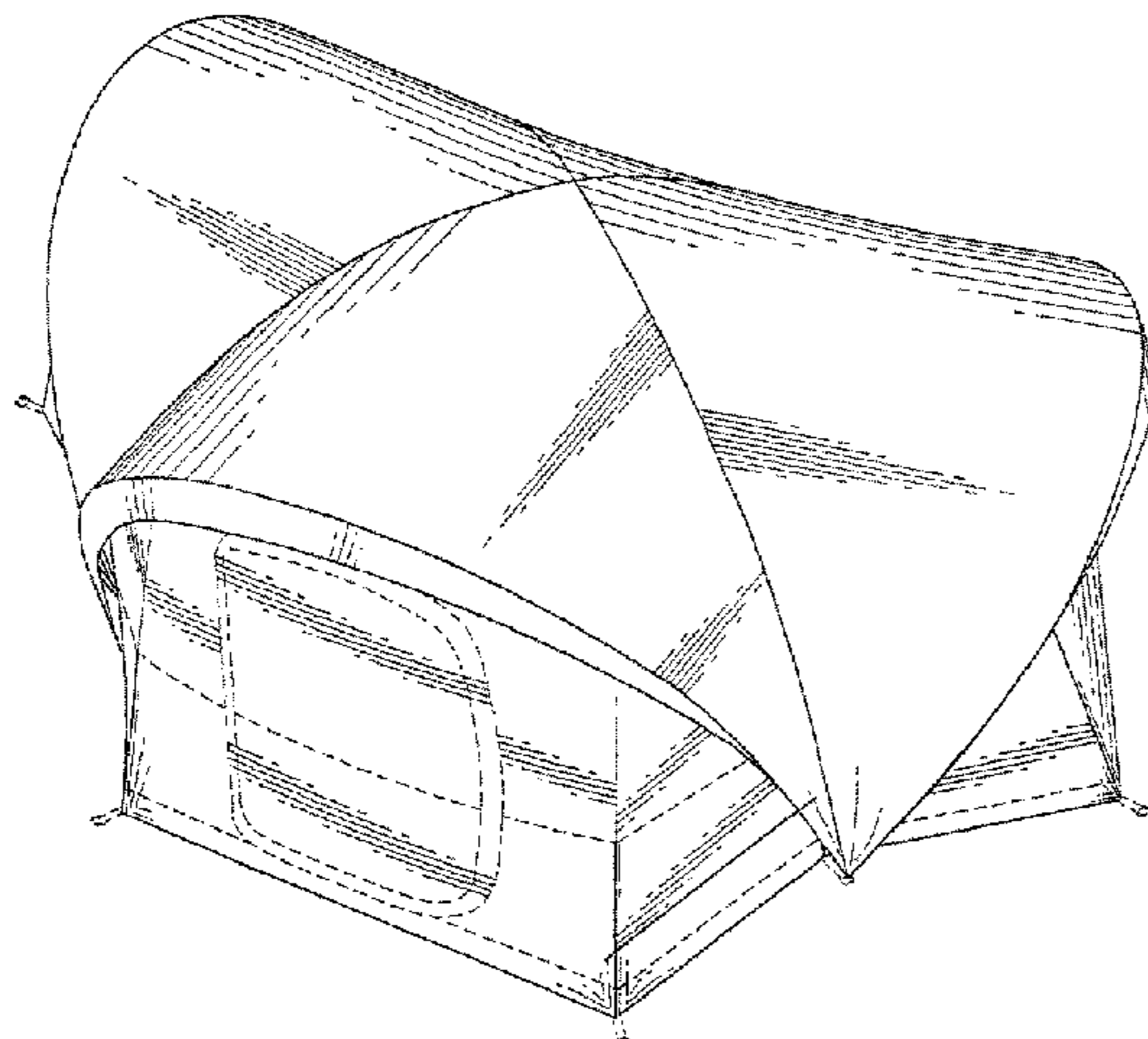
FIG. 12 is a left side elevation view thereof;

FIG. 13 is a right side elevation view thereof; and,

FIG. 14 is a top plan view thereof.

The broken lines represent portions of the design that form no part of the claim.

1 Claim, 6 Drawing Sheets



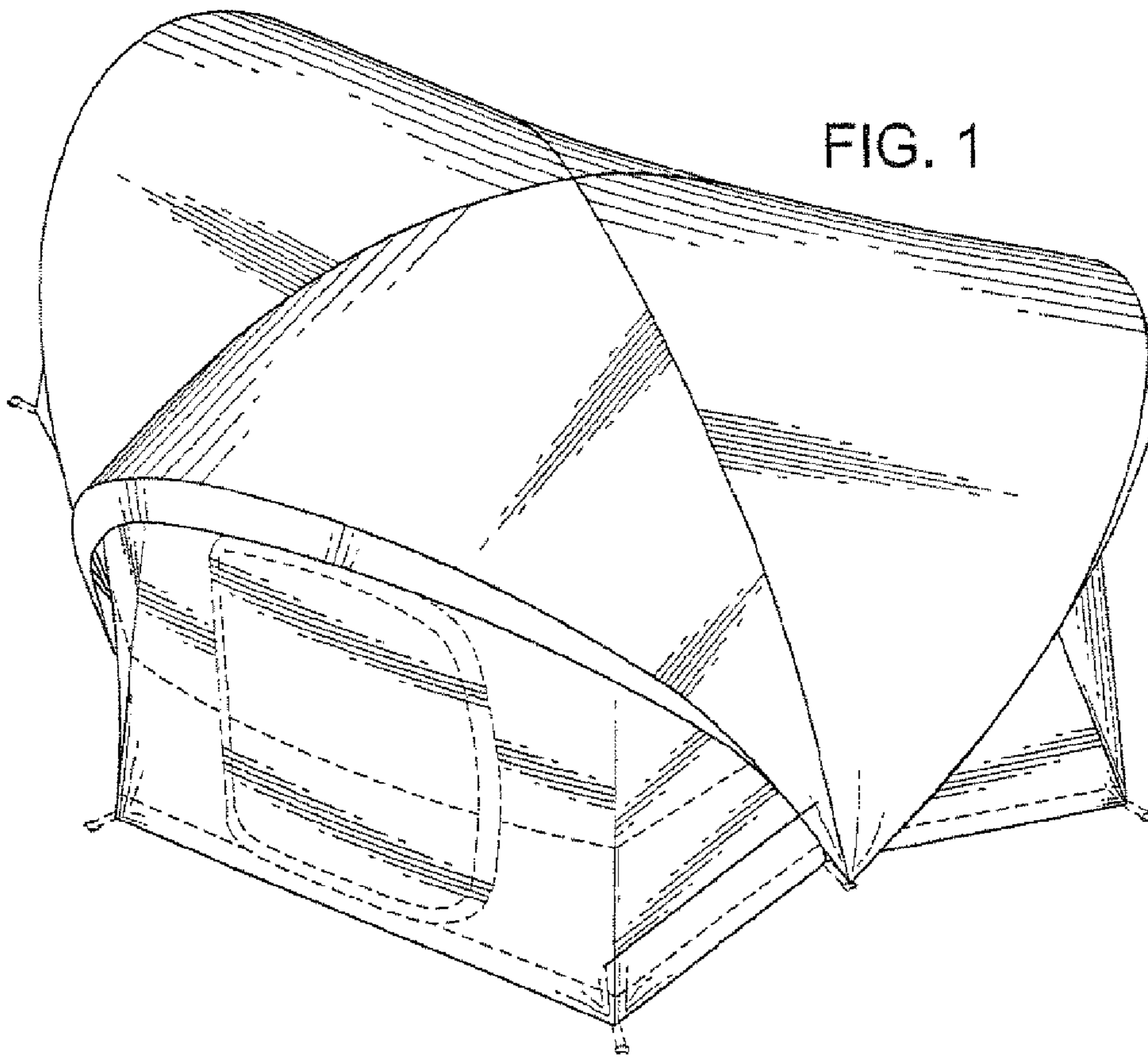


FIG. 1

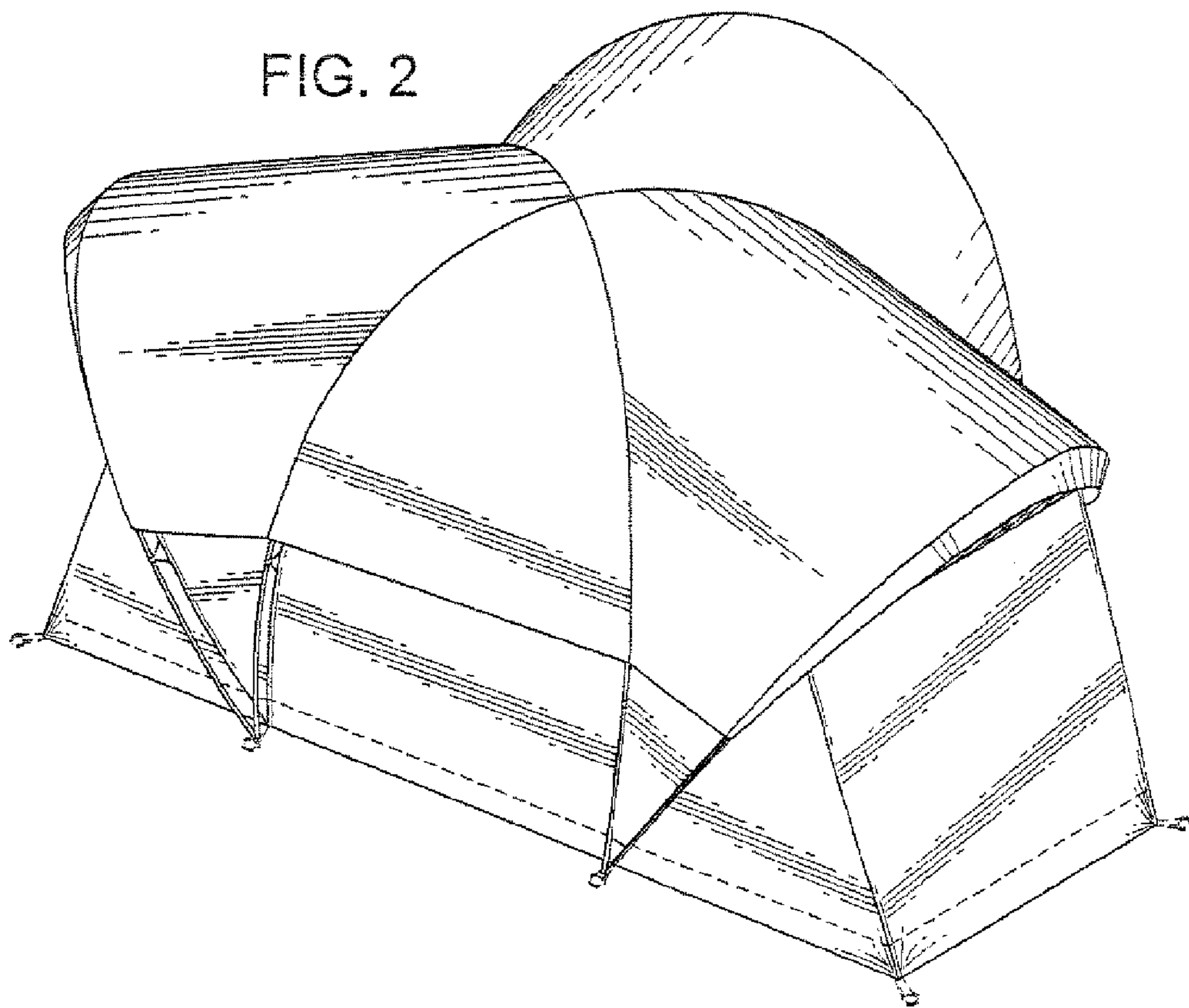


FIG. 2

FIG. 3

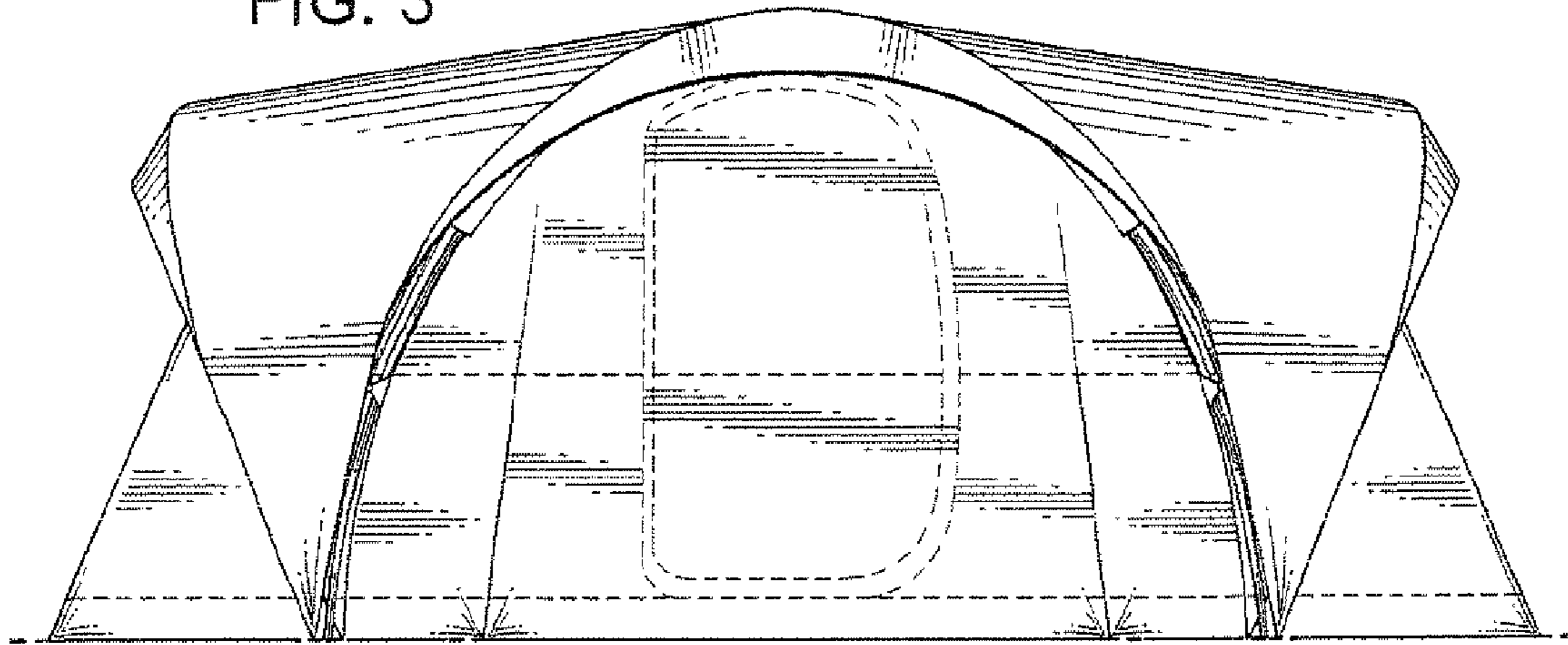


FIG. 4

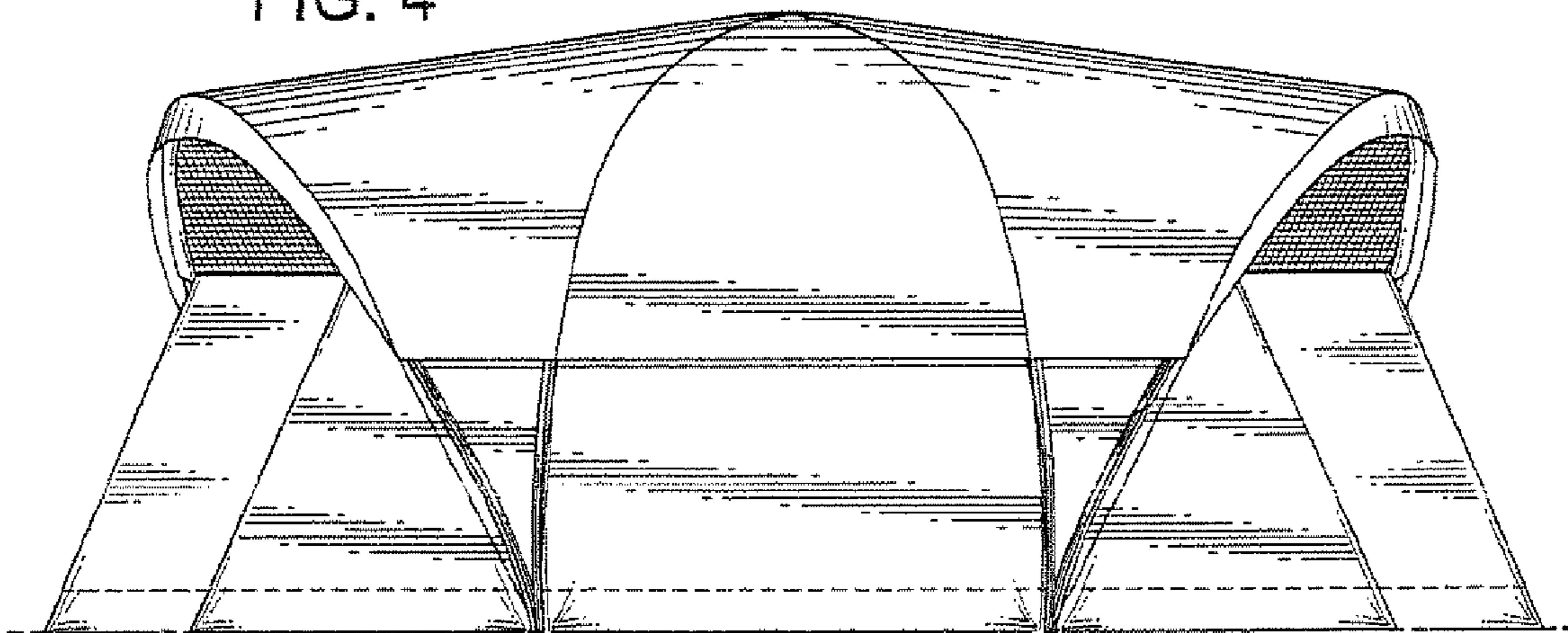


FIG. 5

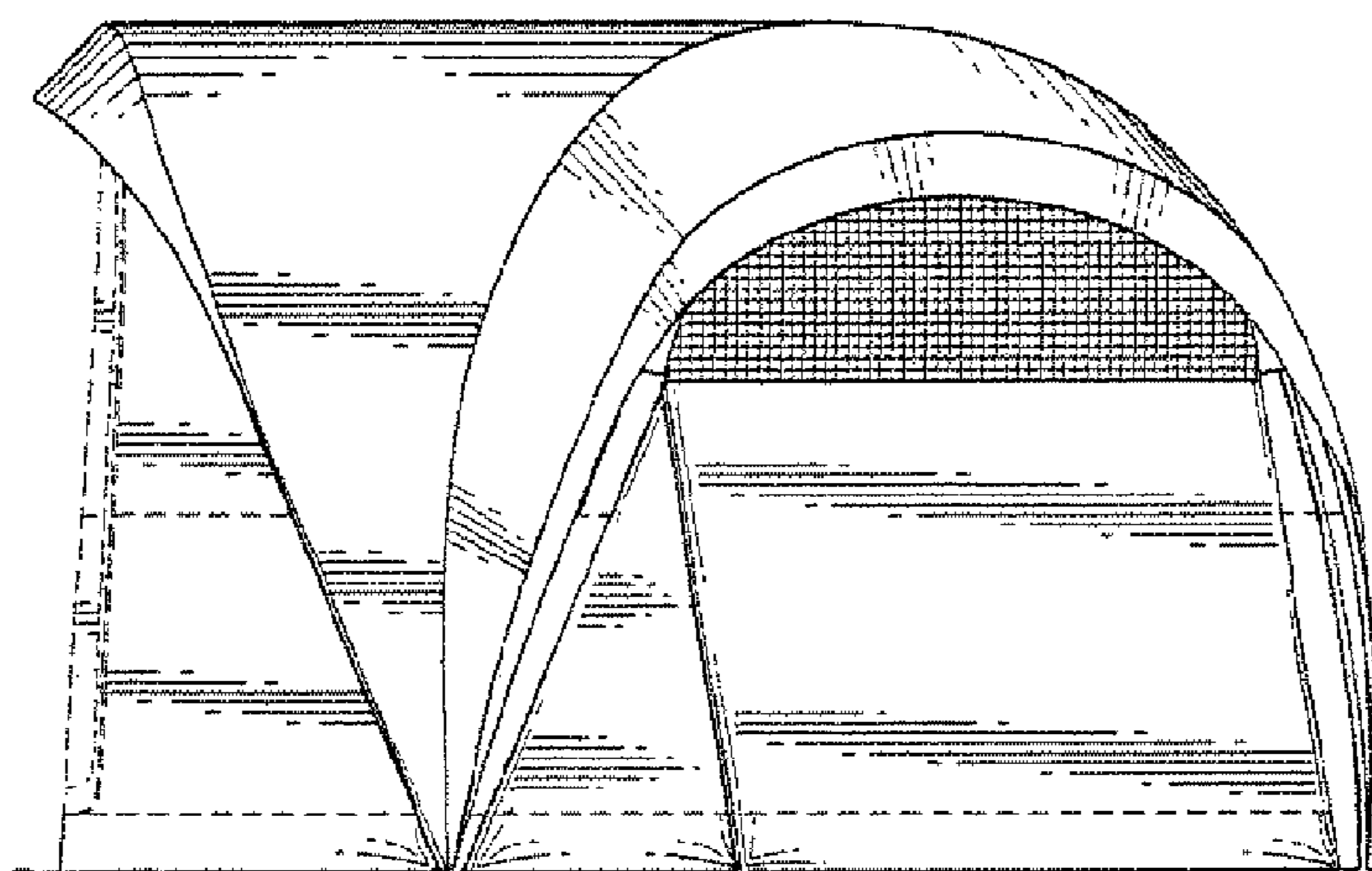


FIG. 6

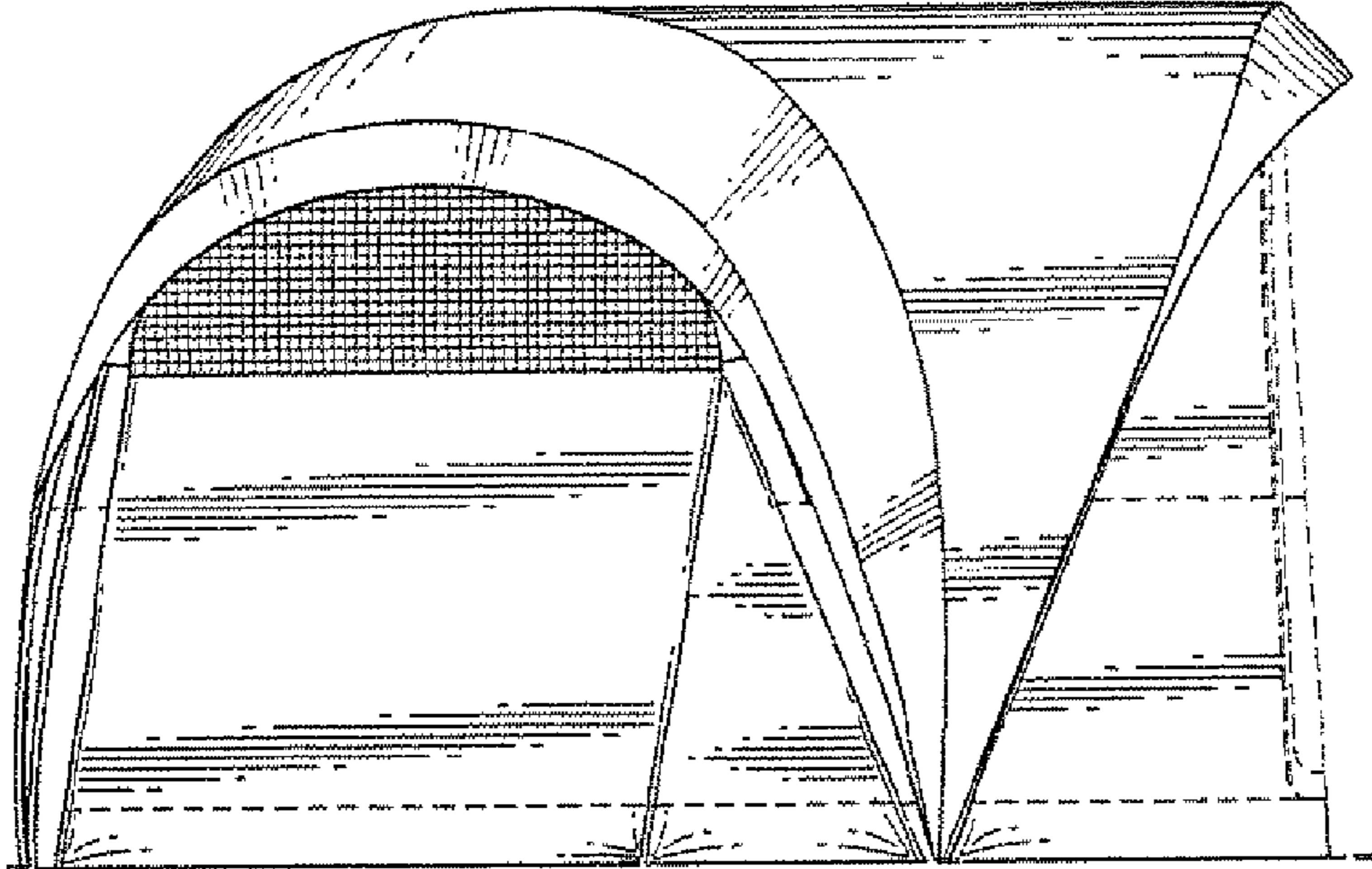
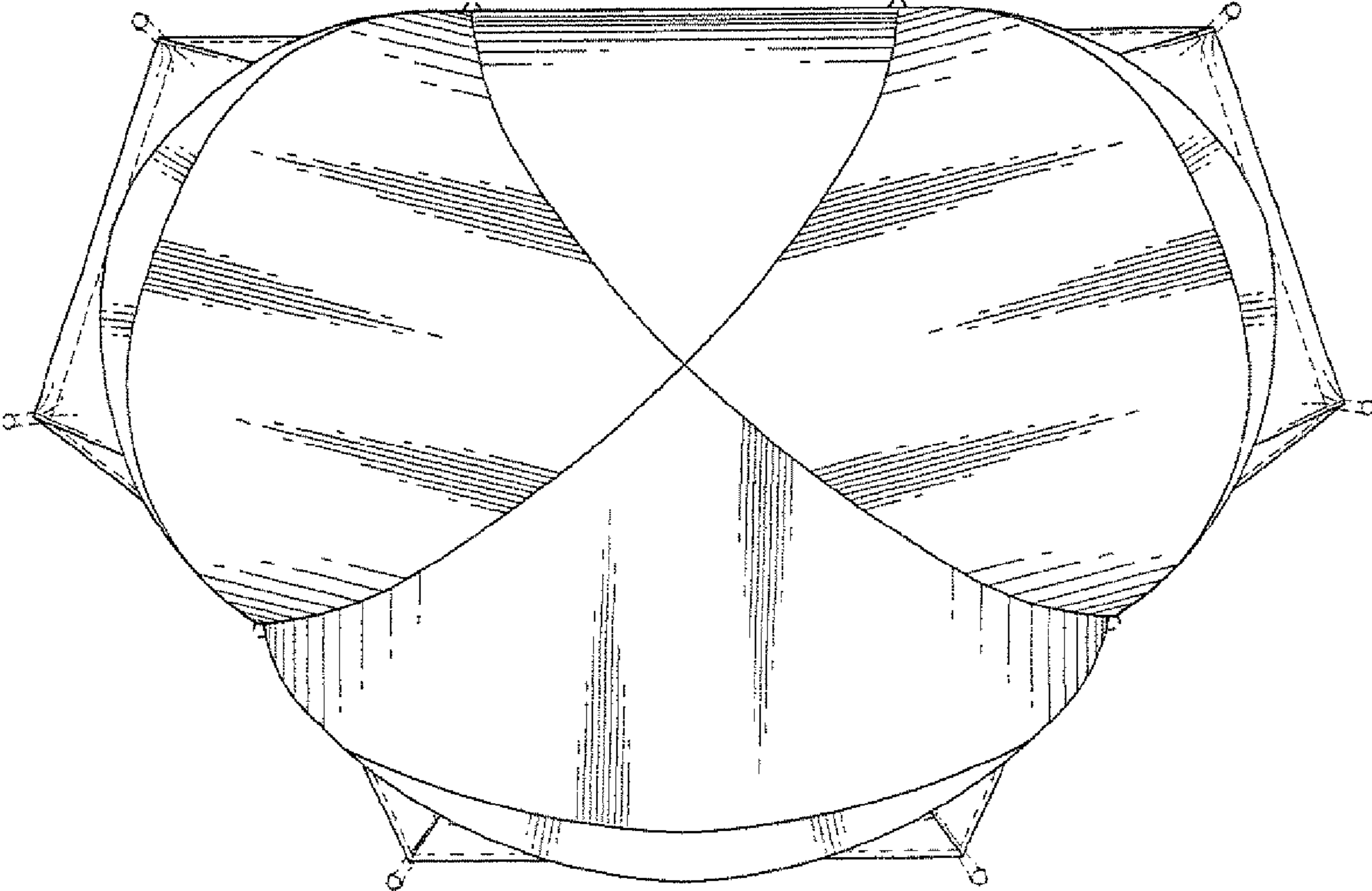


FIG. 7



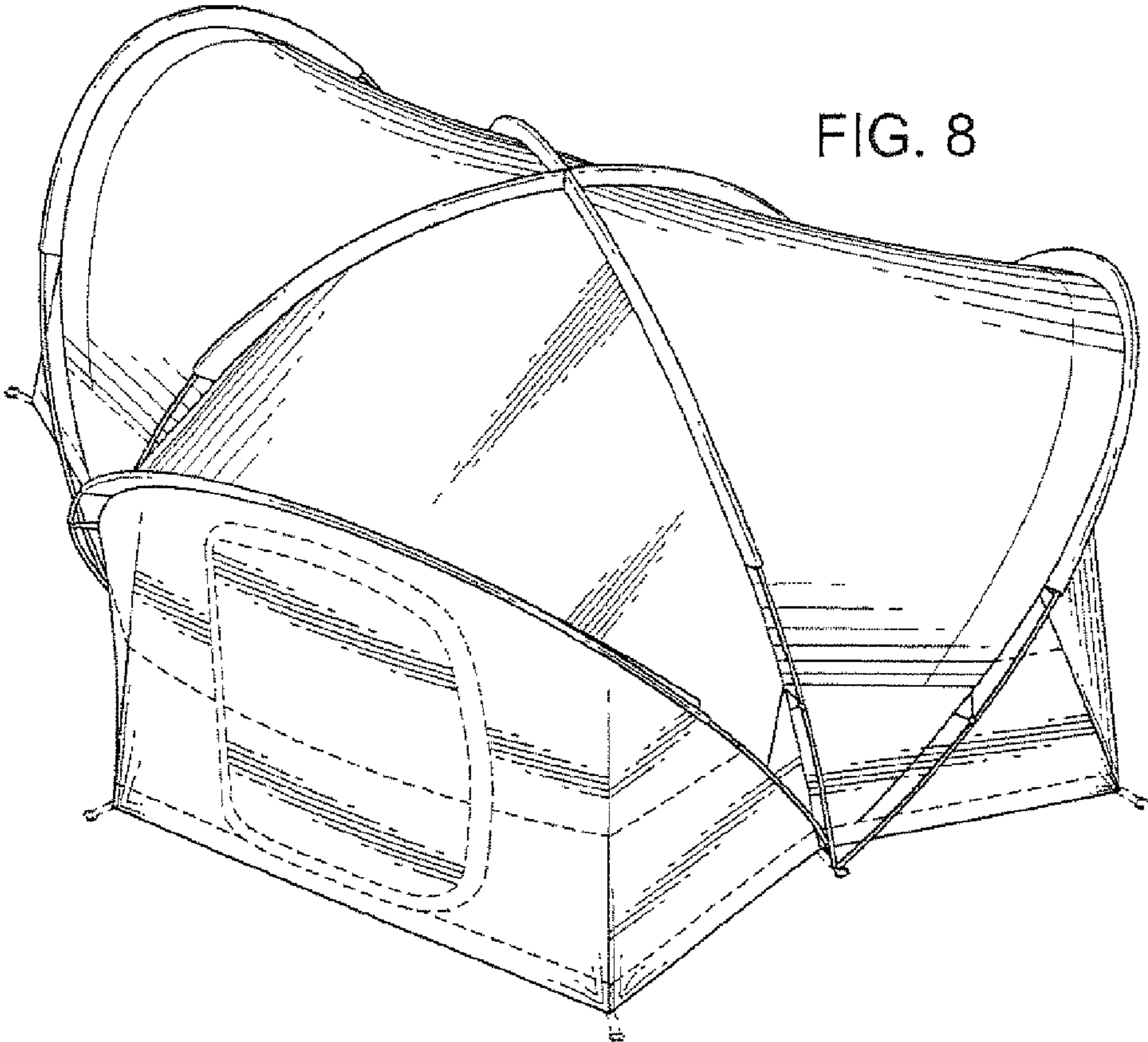


FIG. 8

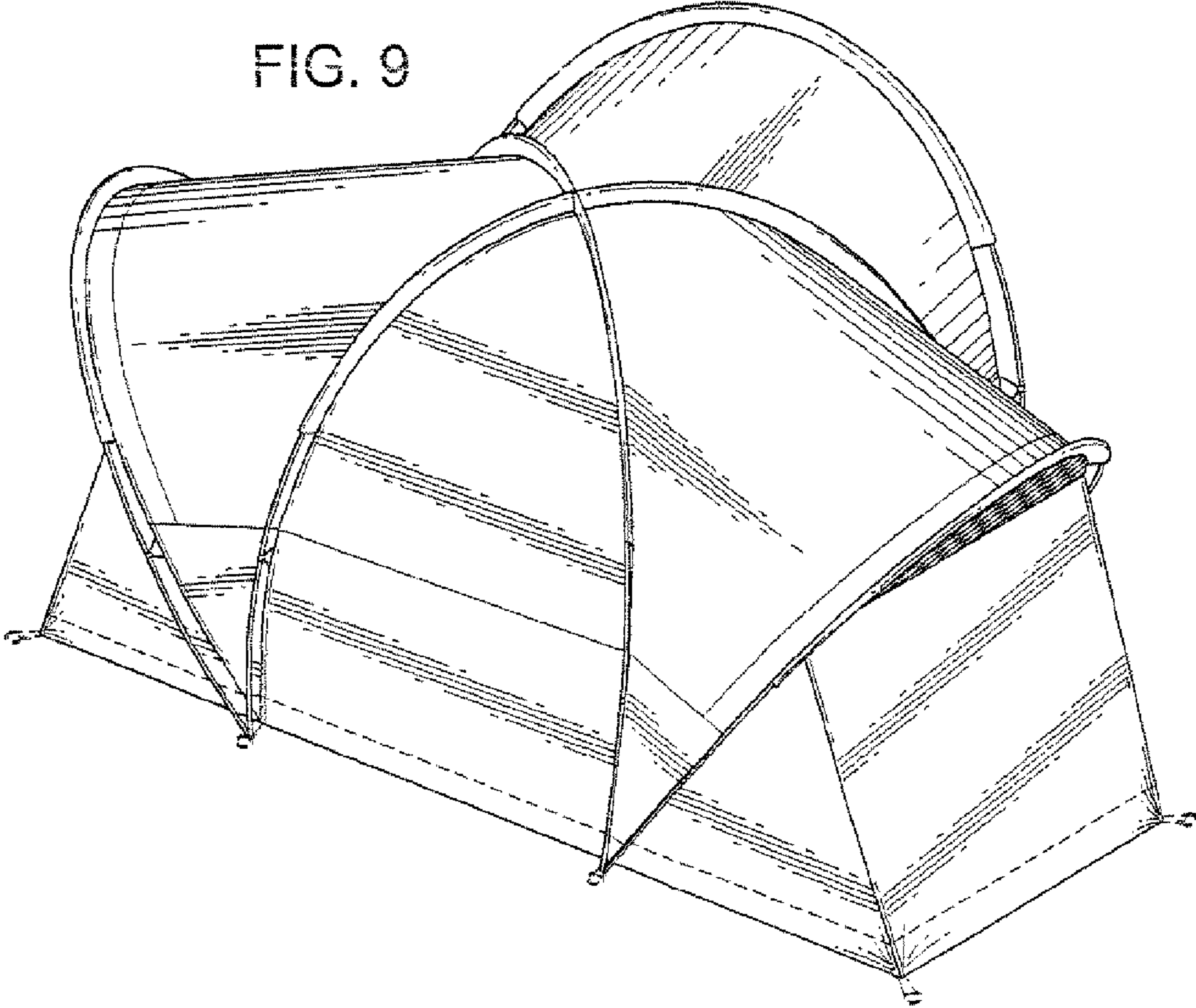


FIG. 9

FIG. 10

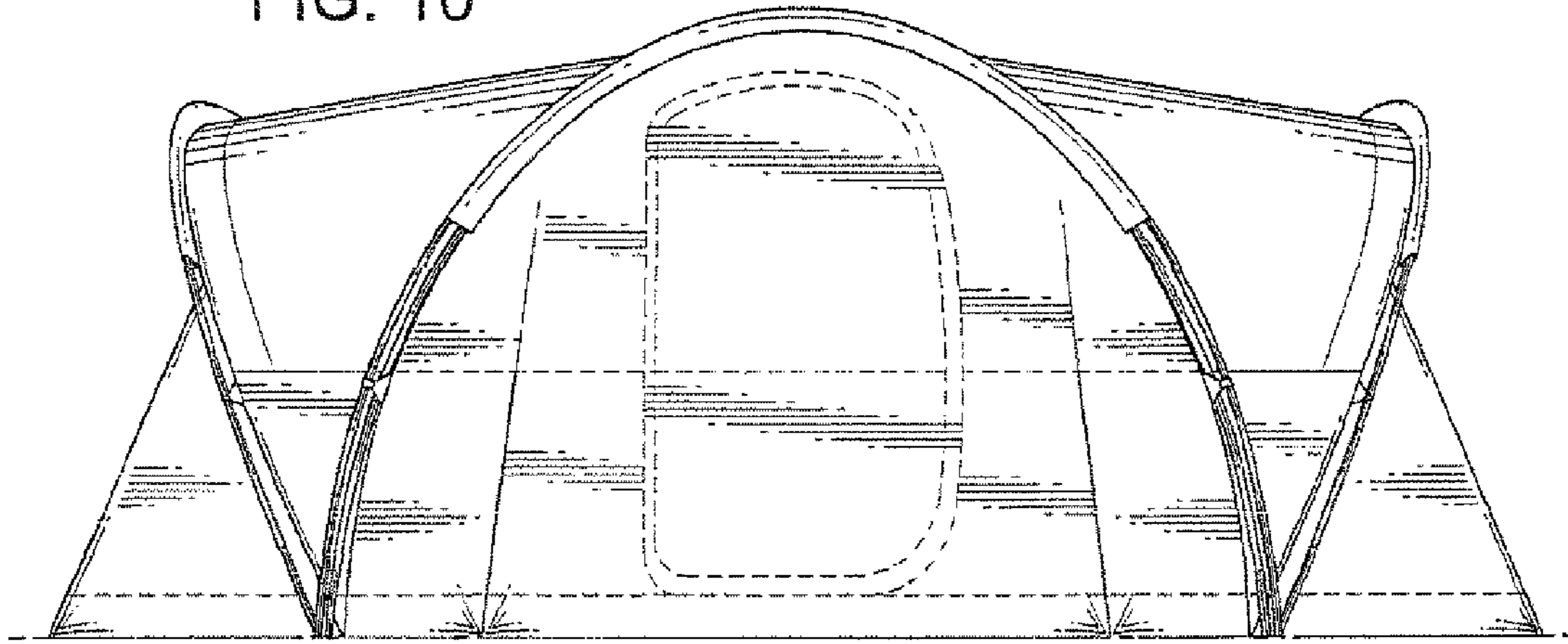


FIG. 11

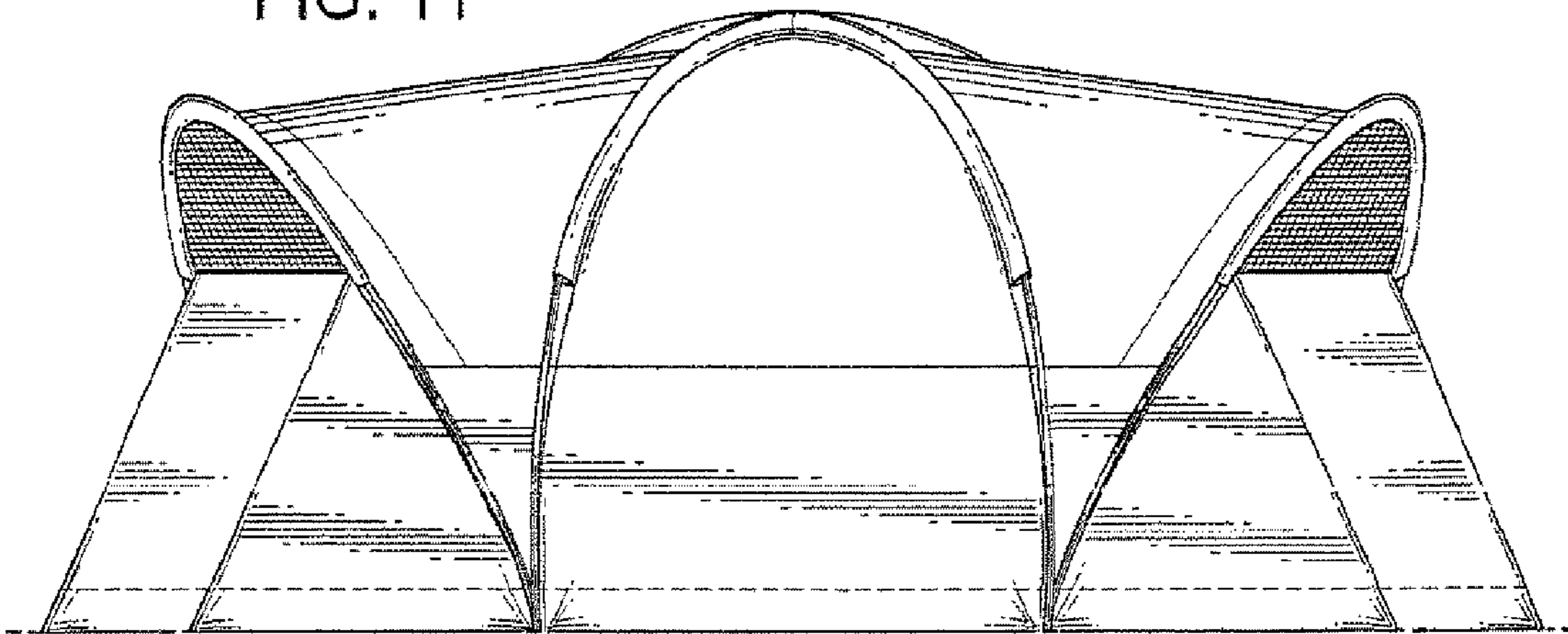


FIG. 12

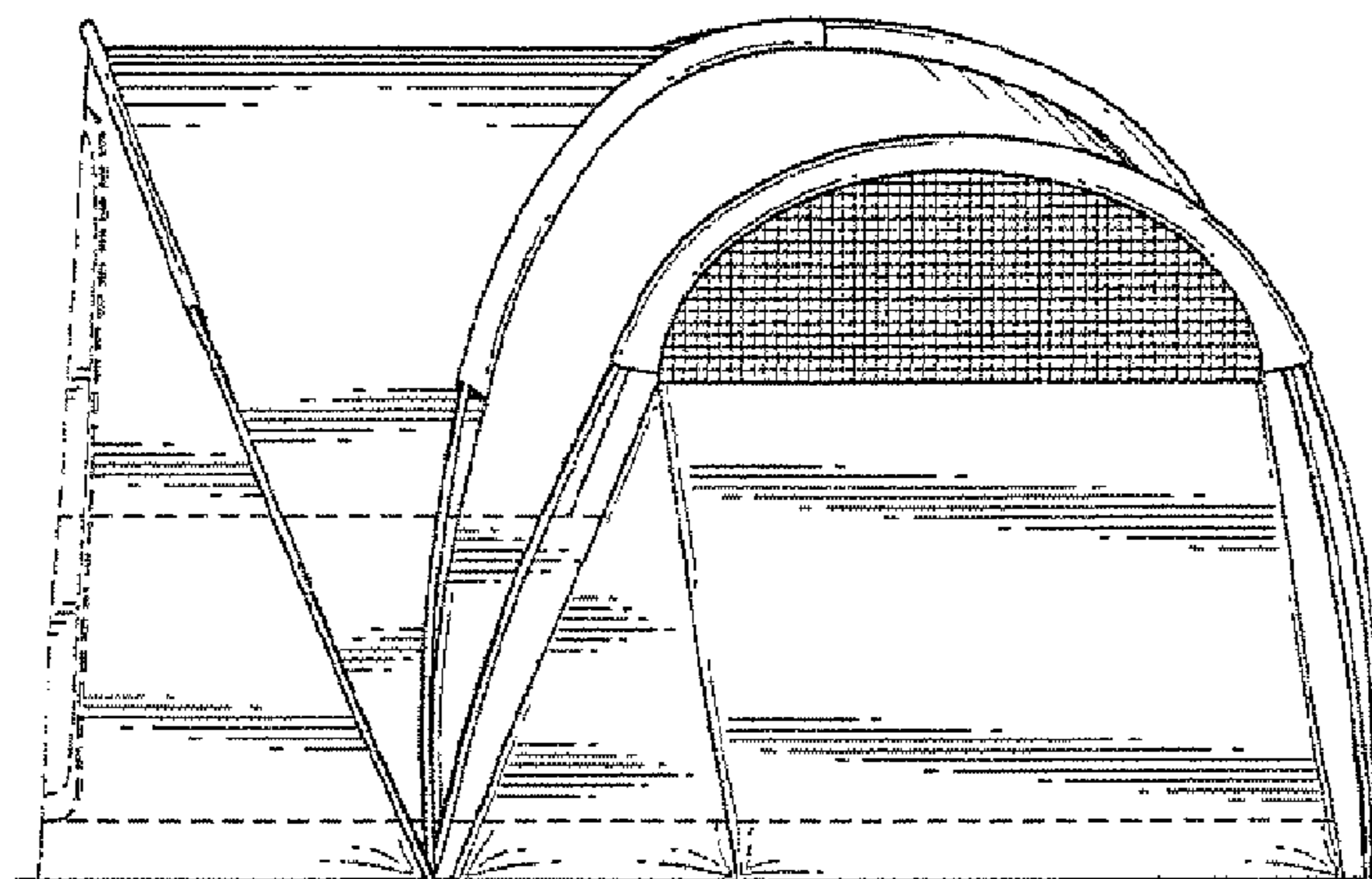


FIG. 13

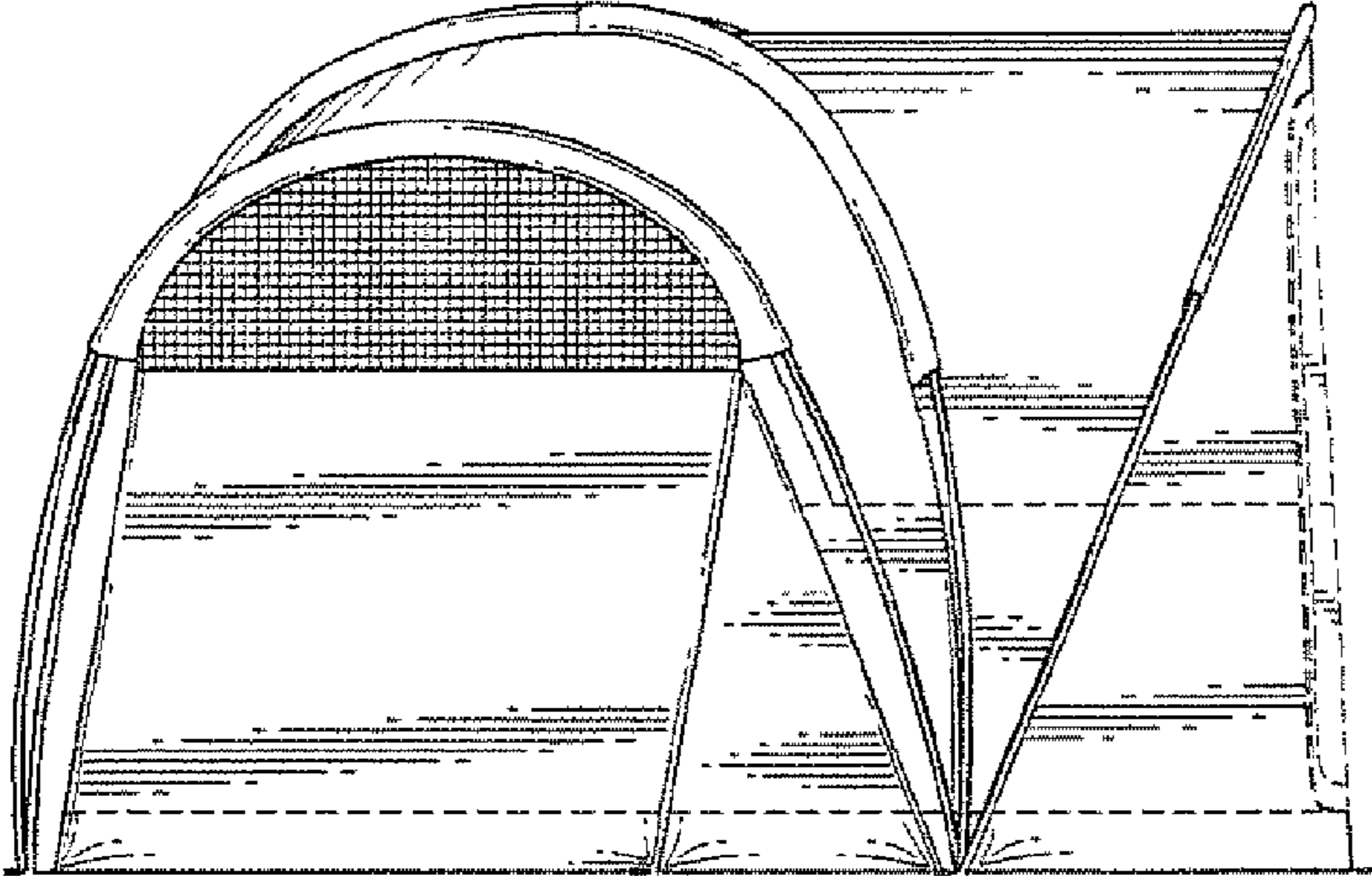


FIG. 14

