



US00D609765S

(12) **United States Design Patent**
Forrest, Sr.

(10) **Patent No.:** **US D609,765 S**

(45) **Date of Patent:** **** Feb. 9, 2010**

(54) **WHEEL KIT**

(76) **Inventor:** **Charles P. Forrest, Sr.**, P.O. Box 579,
Stapleton, AL (US) 36578-0579

(**) **Term:** **14 Years**

(21) **Appl. No.:** **29/293,997**

(22) **Filed:** **Dec. 20, 2007**

(51) **LOC (9) Cl.** **21-02**

(52) **U.S. Cl.** **D21/788**

(58) **Field of Classification Search** D21/561-563,
D21/662-697, 698, 771, 779, 780, 788, 800;
D34/12-39; D12/101, 106, 133, 406, 159-162,
D12/204, 213, 217, 223; D6/491, 495, 503;
D8/349, 354, 373-375, 380; D15/5, 28,
D15/33, 89, 138, 148, 199; 473/415-504;
280/47.131, 63, 99.11, 79.7, 8, 9, 28, 29
See application file for complete search history.

(56) **References Cited**

U.S. PATENT DOCUMENTS

854,680 A * 5/1907 Wiberg 239/726
3,995,852 A * 12/1976 Mendelson 482/51
4,195,702 A * 4/1980 Denis 180/183
D281,312 S * 11/1985 Russell D12/101
5,240,285 A * 8/1993 Harris 280/814
6,234,499 B1 * 5/2001 Irwin et al. 280/63

D465,897 S * 11/2002 Smith D34/23
D469,224 S * 1/2003 Stenkvist et al. D34/28
6,942,585 B1 * 9/2005 Krause 473/445
6,983,943 B2 * 1/2006 Ouellette 280/28
7,341,529 B2 * 3/2008 Bayduke 473/439
D575,921 S * 8/2008 Stone, Jr. D34/23

* cited by examiner

Primary Examiner—Catherine Tuttle

(74) *Attorney, Agent, or Firm*—H. Jay Spiegel

(57) **CLAIM**

The ornamental design for a wheel kit, as shown and described.

DESCRIPTION

FIG. 1 shows a right side perspective view of my claimed design with an operating lever in a first position.

FIG. 2 shows a left side view of my claimed design.

FIG. 3 shows a right side view of my claimed design.

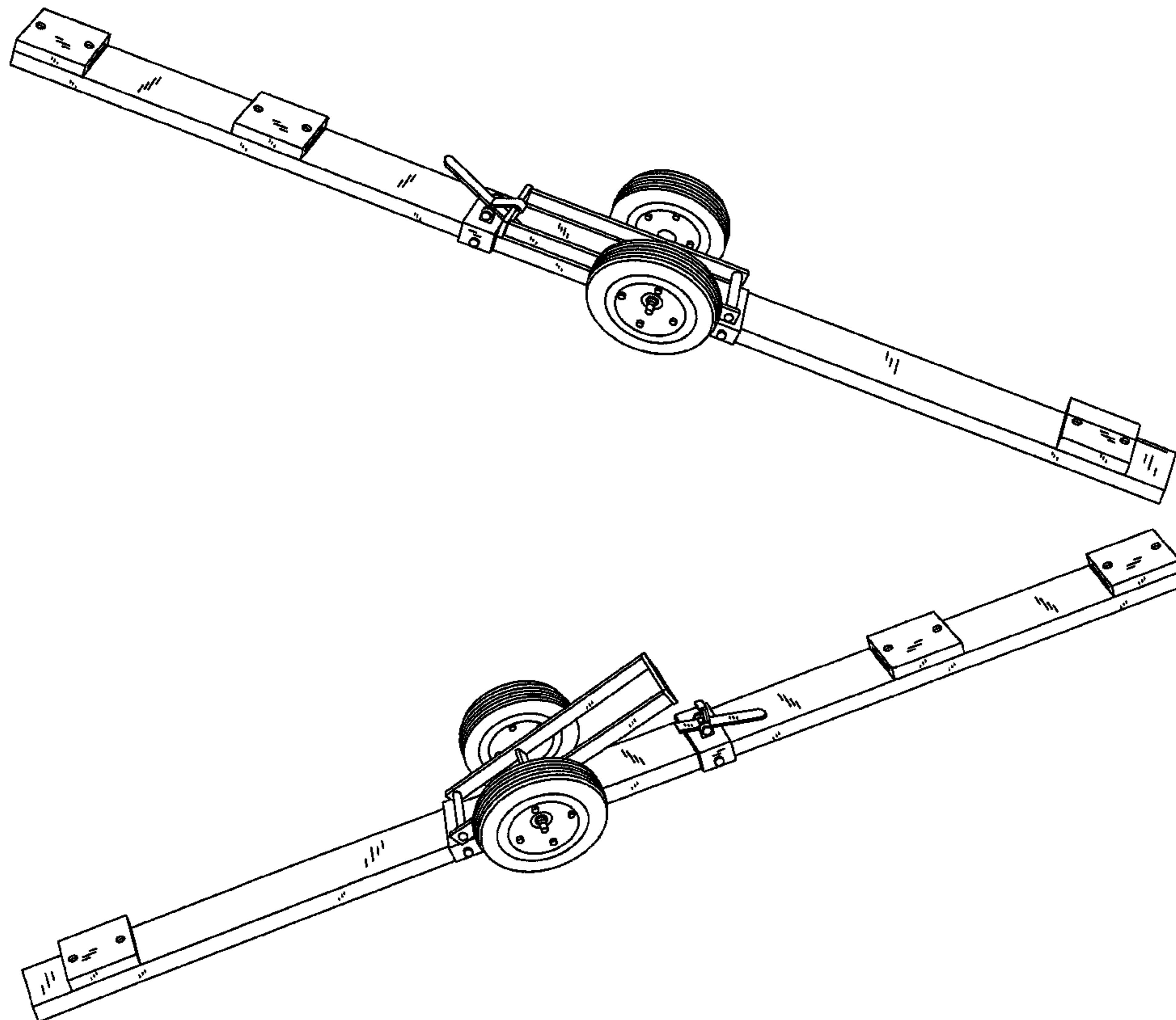
FIG. 4 shows a front view of my claimed design.

FIG. 5 shows a rear view of my claimed design.

FIG. 6 shows a top view of my claimed design; and,

FIG. 7 shows a left side perspective view of my claimed design with an operating lever in a second position.

1 Claim, 4 Drawing Sheets



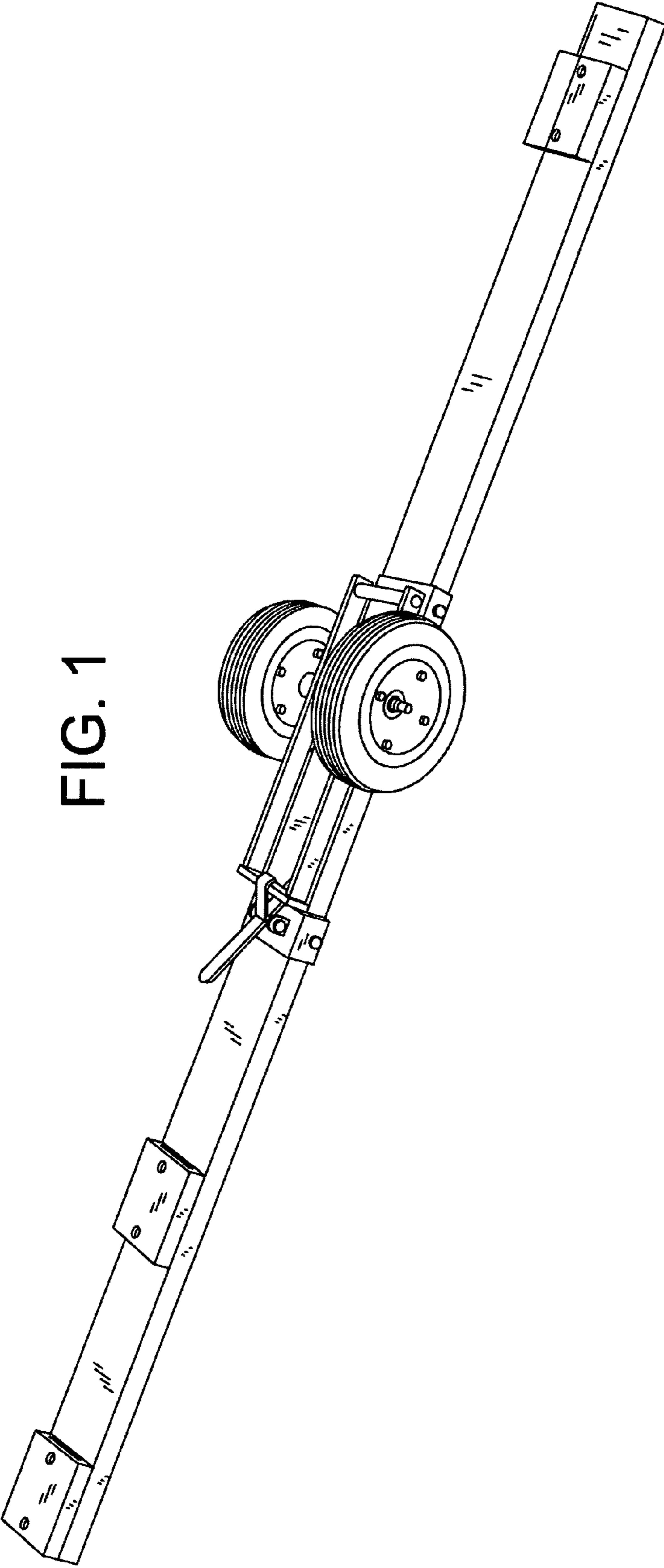


FIG. 1

FIG. 2

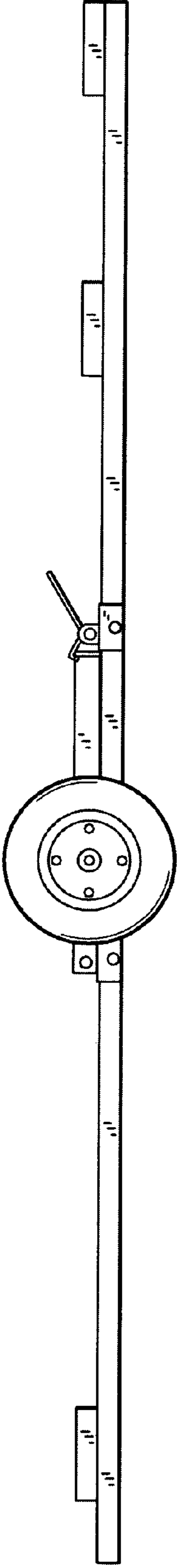


FIG. 3

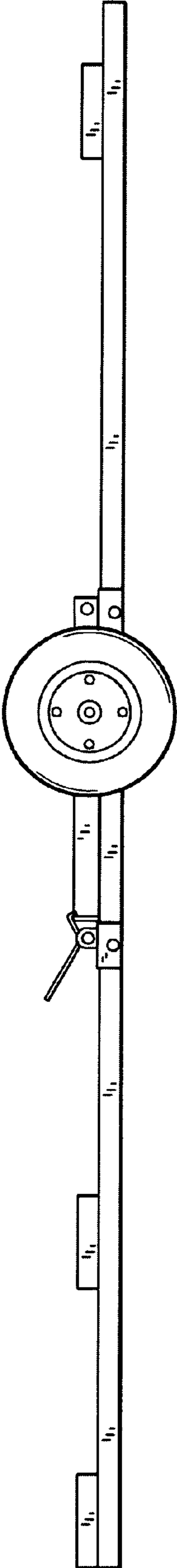


FIG. 4

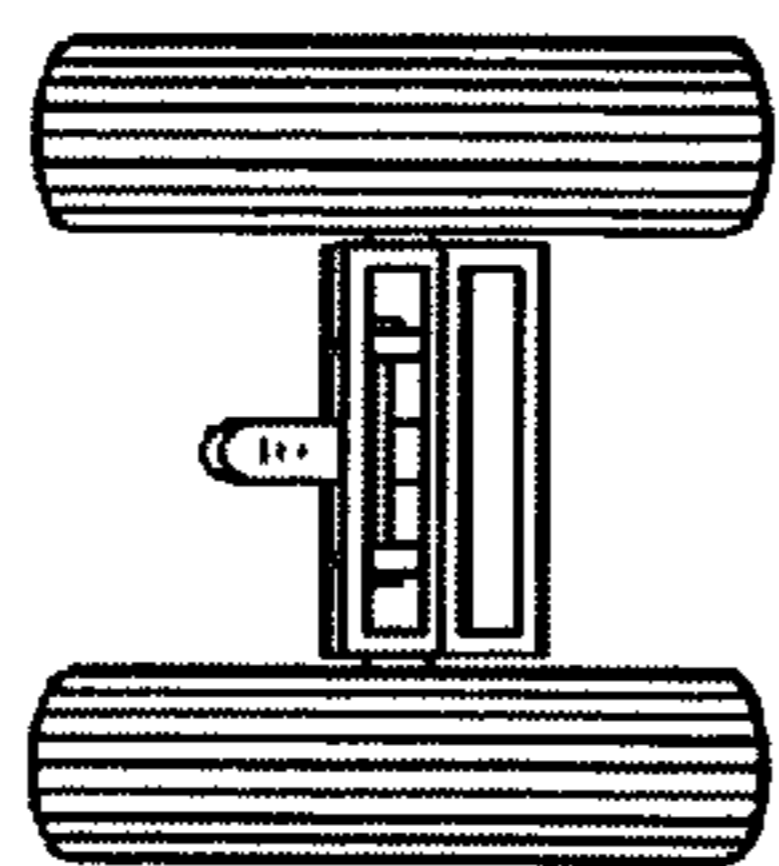


FIG. 5

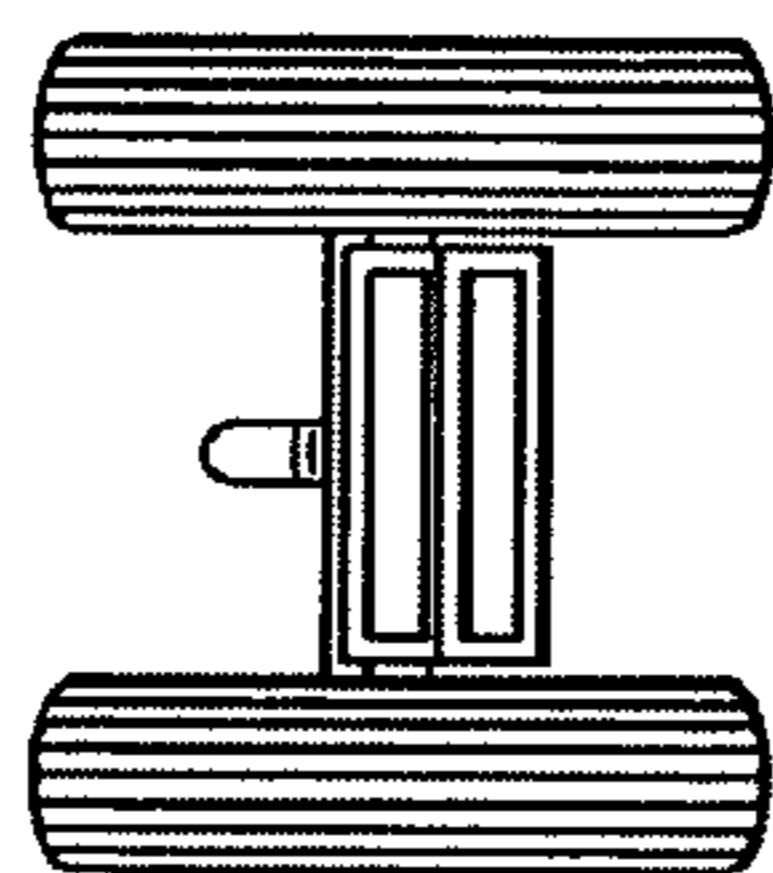
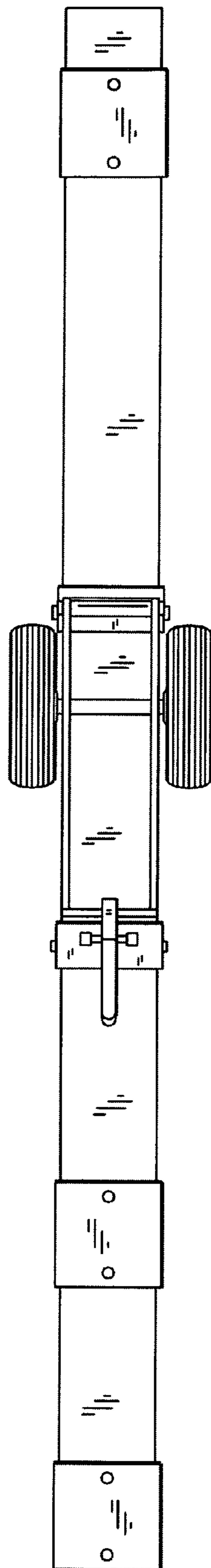


FIG. 6



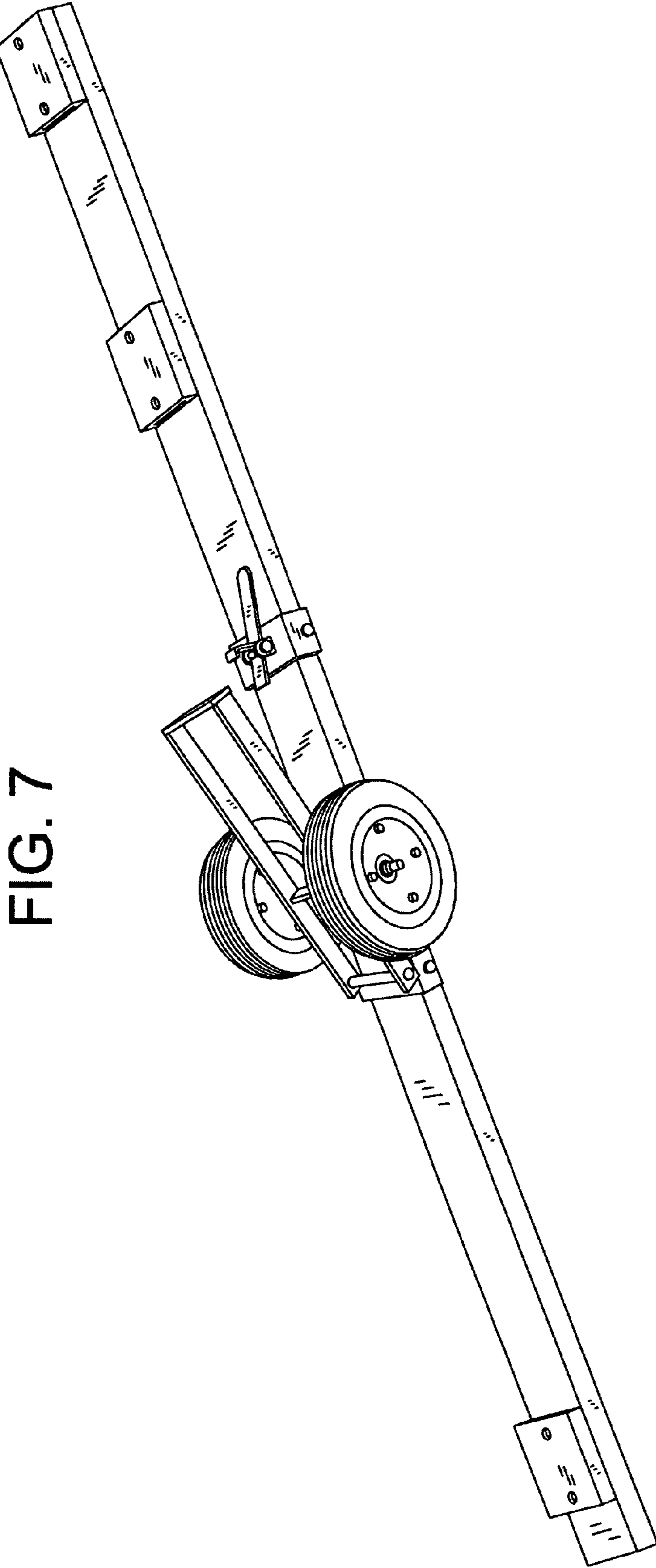


FIG. 7