



US00D609756S

(12) **United States Design Patent**
Badanjo

(10) **Patent No.:** **US D609,756 S**
(45) **Date of Patent:** **** Feb. 9, 2010**

(54) **TODDLER BIKE WITH TRAILER**

D485,513 S * 1/2004 de Oliveira D12/112
D524,699 S * 7/2006 Kurth et al. D12/112

(75) Inventor: **Ariel Badanjo**, Shanghai (CN)

* cited by examiner

(73) Assignee: **Toymonster Intellectual Property Limited** (VG)

Primary Examiner—Holly H Baynham

Assistant Examiner—Cynthia M Chin

(**) Term: **14 Years**

(74) *Attorney, Agent, or Firm*—Ostrolenk Faber LLP

(21) Appl. No.: **29/299,476**

(57) **CLAIM**

(22) Filed: **Dec. 27, 2007**

The ornamental design for a toddler bike with trailer, as shown.

(51) **LOC (9) Cl.** **21-01**

(52) **U.S. Cl.** **D21/419**

(58) **Field of Classification Search** D21/419,
D21/423–428, 431–435; 280/7.1, 7.11, 7.15,
280/87.01, 87.021, 87.05, 47.17, 47.25, 47.38,
280/47.34, 87.051, 827, 828; 180/65.1; D12/112,
D12/113

See application file for complete search history.

DESCRIPTION

FIG. 1 is a perspective view of a toddler bike with trailer showing my new design;

FIG. 2 is a front view thereof;

FIG. 3 is a right side view thereof, the left side being a mirror image;

FIG. 4 is a top view thereof;

FIG. 5 is a back view thereof; and,

FIG. 6 is a bottom view thereof.

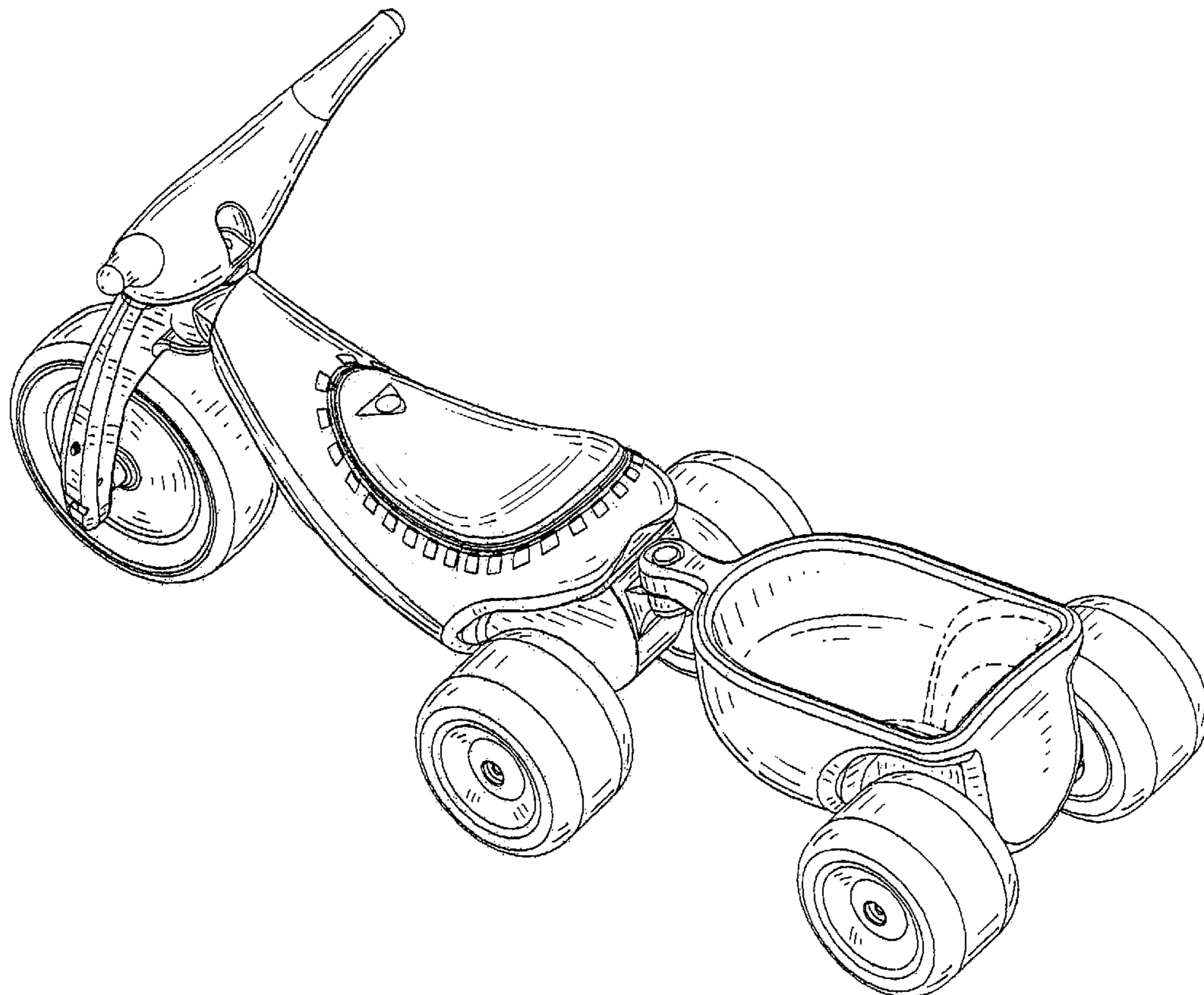
The portions of the article shown in broken lines in the drawings are for illustrative purposes only and form no part of the claimed design.

(56) **References Cited**

U.S. PATENT DOCUMENTS

D244,101 S * 4/1977 Goldberg D21/432
D247,028 S * 1/1978 Nakao et al. D12/112
D313,579 S * 1/1991 Disler D12/112
D332,639 S * 1/1993 Argandona et al. D21/425
D404,692 S * 1/1999 Cobb, Jr. D12/112

1 Claim, 6 Drawing Sheets



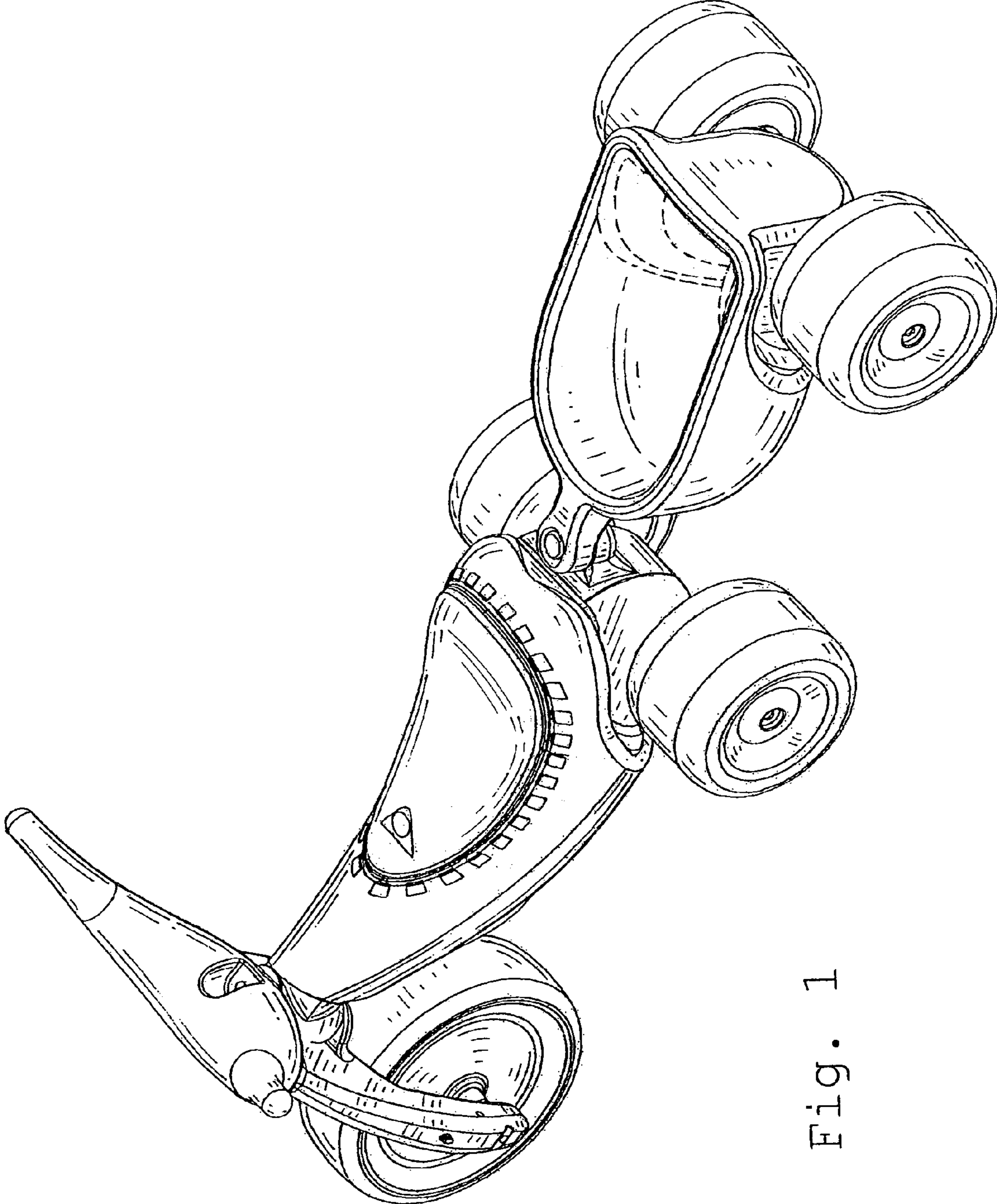


Fig. 1

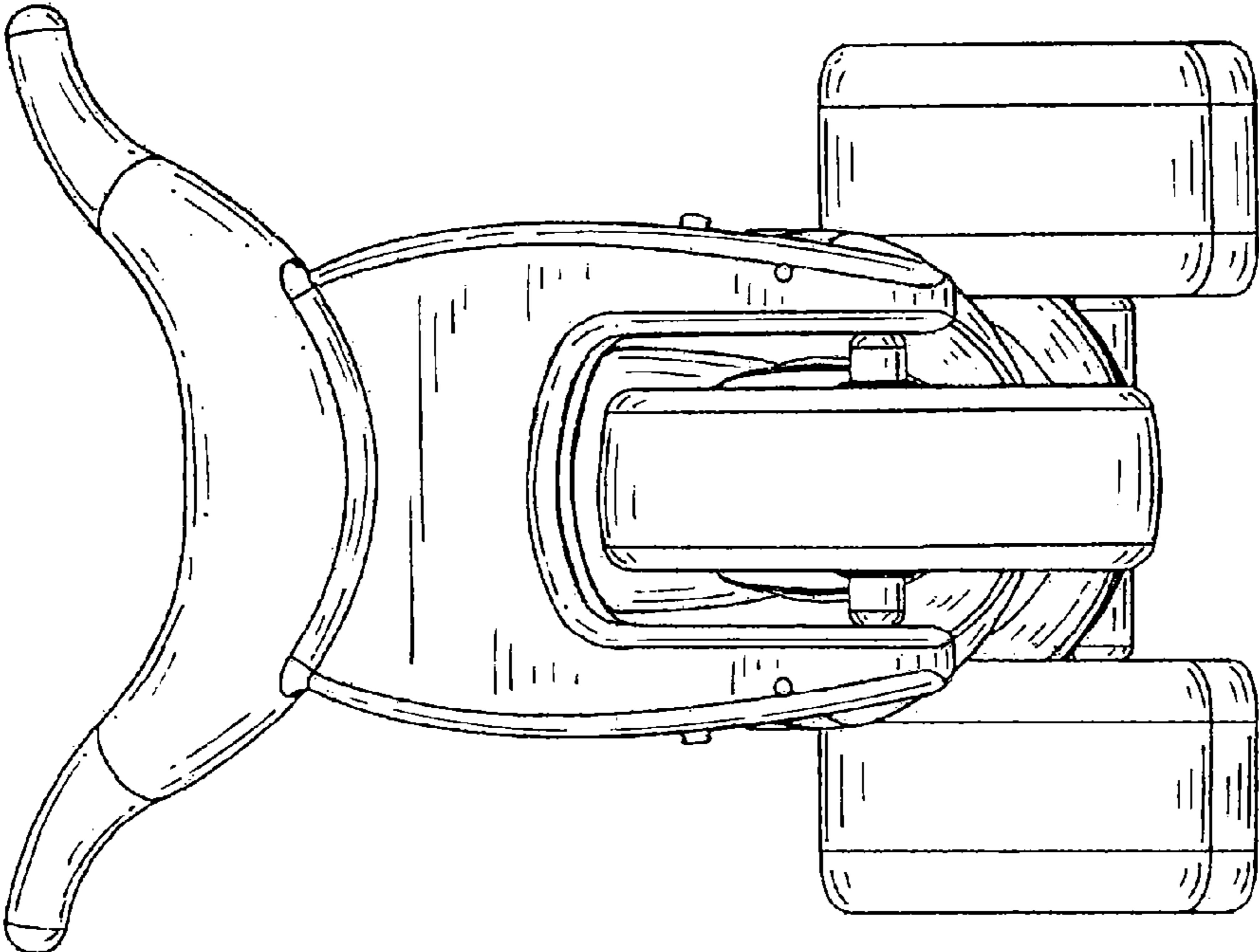


Fig. 2

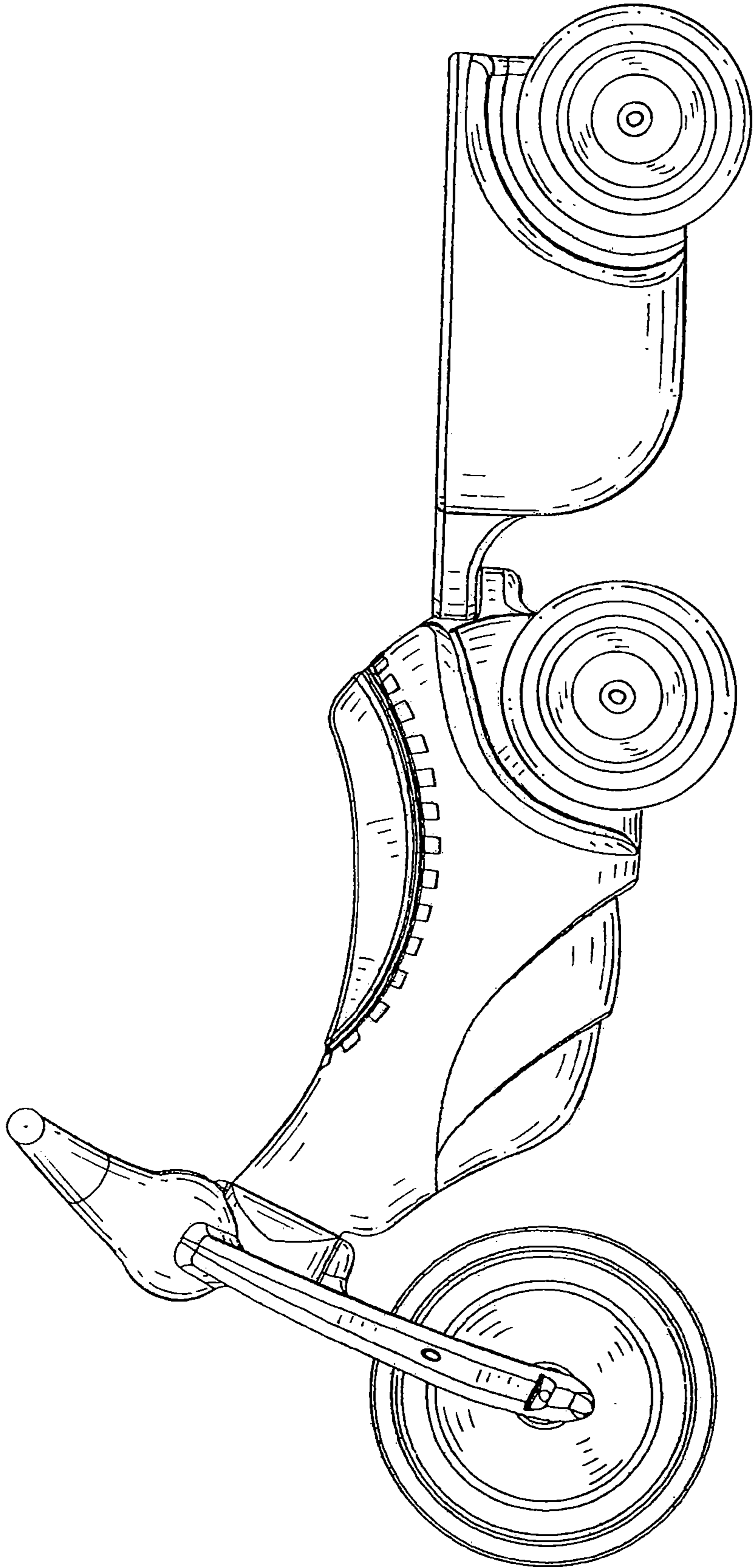


Fig. 3

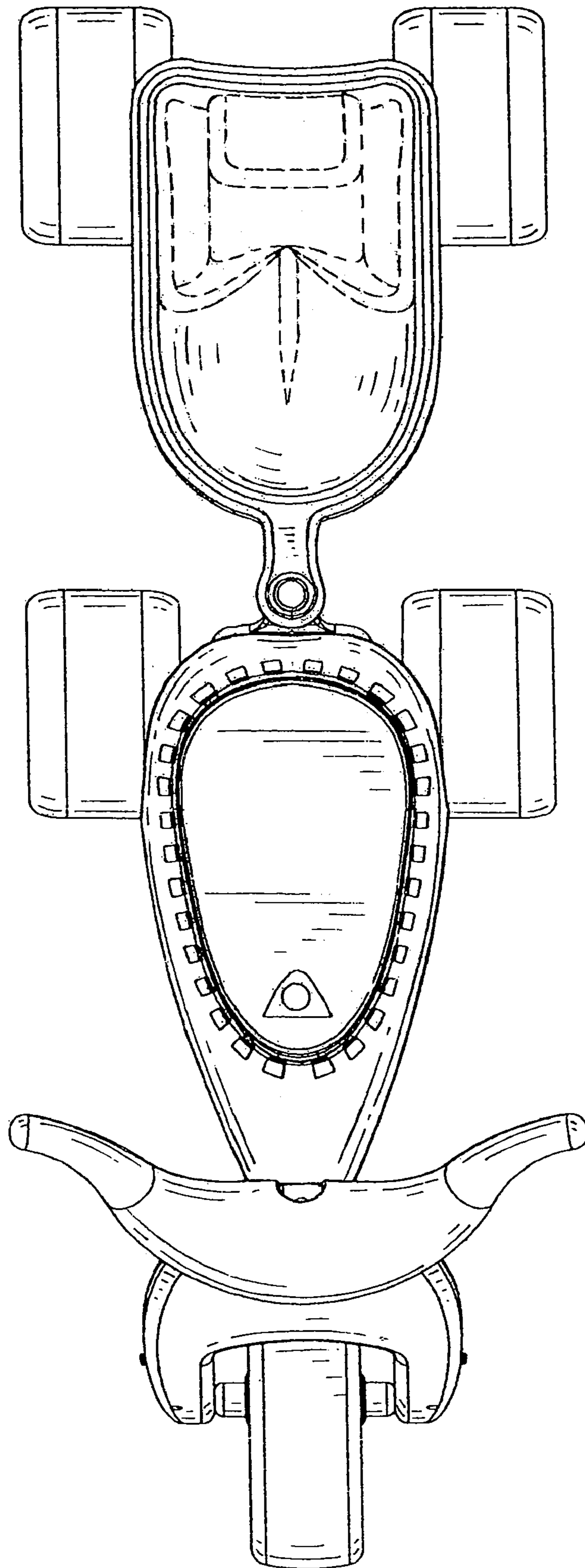


Fig. 4

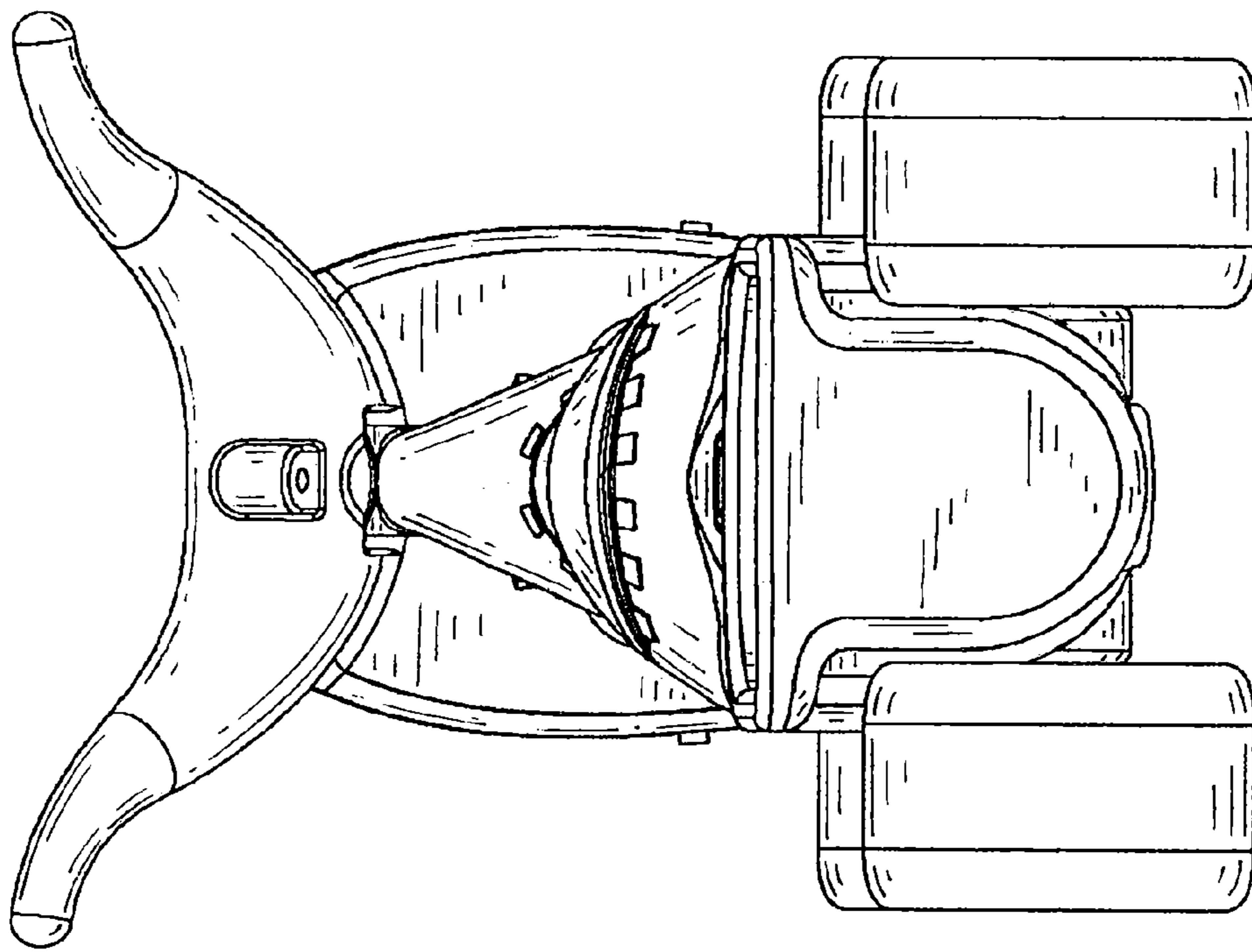


Fig. 5

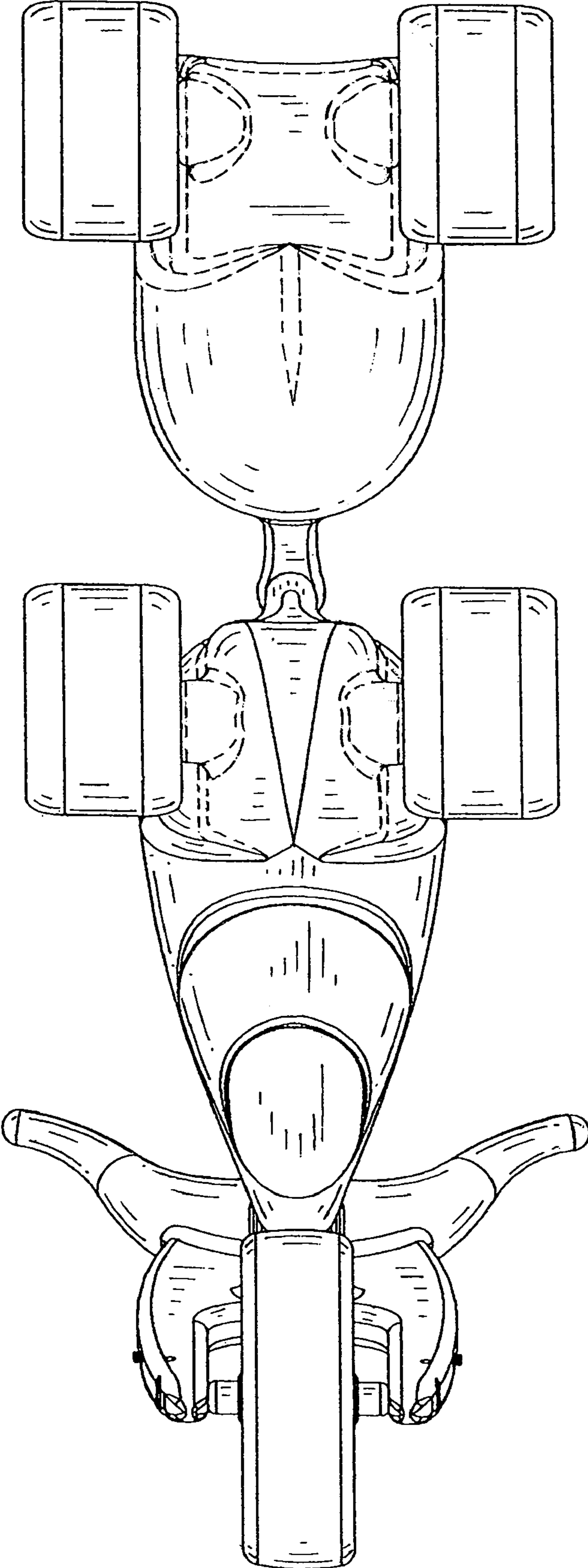


Fig. 6