



US00D609754S

(12) **United States Design Patent**
Labeledz et al.

(10) **Patent No.:** **US D609,754 S**
(45) **Date of Patent:** **** Feb. 9, 2010**

- (54) **INTERACTIVE GAME KIOSK**
- (75) Inventors: **Lawrence Labeledz**, Naperville, IL (US);
William Carter, Dyer, IN (US);
Patricia Venetucci, Hawthorn Woods, IL (US)
- (73) Assignee: **Keyser Interactive, LLC**, Evergreen Park, IL (US)
- (**) Term: **14 Years**

6,022,272 A 2/2000 Sano
 6,024,675 A * 2/2000 Kashiwaguchi 482/4
 D432,585 S * 10/2000 Okabe D21/324
 6,142,913 A 11/2000 Ewert
 6,152,856 A 11/2000 Studor
 6,217,449 B1 4/2001 Kaku
 6,244,988 B1 6/2001 Delman
 6,368,217 B2 4/2002 Kanno et al.
 D478,042 S * 8/2003 Yaguchi et al. D13/114

(Continued)

(21) Appl. No.: **29/312,701**

(22) Filed: **Nov. 7, 2008**

- (51) **LOC (9) Cl.** **21-01**
- (52) **U.S. Cl.** **D21/325; D21/333**
- (58) **Field of Classification Search** D21/324–326,
D21/328, 333, 663–667; 273/148 B, 440,
273/441, 445, 449, 450, 460, 451; 463/1,
463/6, 7, 30–32, 36, 47; 482/1–9, 51, 54,
482/57–6, 900–902; 345/161–163; 700/20,
700/91, 92; 434/61

See application file for complete search history.

(56) **References Cited**

U.S. PATENT DOCUMENTS

- 4,630,817 A * 12/1986 Buckley 463/37
- 4,887,967 A * 12/1989 Letovsky et al. 434/61
- 5,209,662 A * 5/1993 Fujita et al. 434/61
- 5,213,555 A 5/1993 Hood et al.
- 5,246,411 A * 9/1993 Rackman et al. 482/57
- 5,462,503 A 10/1995 Ulrich et al.
- 5,466,200 A 11/1995 Ulrich et al.
- 5,591,104 A * 1/1997 Andrus et al. 482/7
- 5,667,459 A 9/1997 Su
- 5,772,504 A * 6/1998 Machiguchi 463/6
- 5,785,630 A 7/1998 Bobick et al.
- 5,823,876 A * 10/1998 Unbehand 463/37
- 5,839,990 A 11/1998 Vijkkrala
- D403,032 S * 12/1998 Huang D21/666
- 5,888,172 A 3/1999 Andrus et al.
- 5,989,123 A 11/1999 Tosaki
- 6,004,243 A 12/1999 Ewert

OTHER PUBLICATIONS

- U.S. Appl. No. 12/286,715, Labeledz et al.
- U.S. Appl. No. 29/312,718, Labeledz et al.
- U.S. Appl. No. 29/312,719, Labeledz et al.
- U.S. Appl. No. 29/312,700, Labeledz et al.
- U.S. Appl. No. 29/312,024, Labeledz et al.
- U.S. Appl. No. 29/312,046, Labeledz et al.
- U.S. Appl. No. 29/312,045, Labeledz et al.

Primary Examiner—Prabhakar Deshmukh
(74) *Attorney, Agent, or Firm*—Ryndak & Suri LLP

(57) **CLAIM**

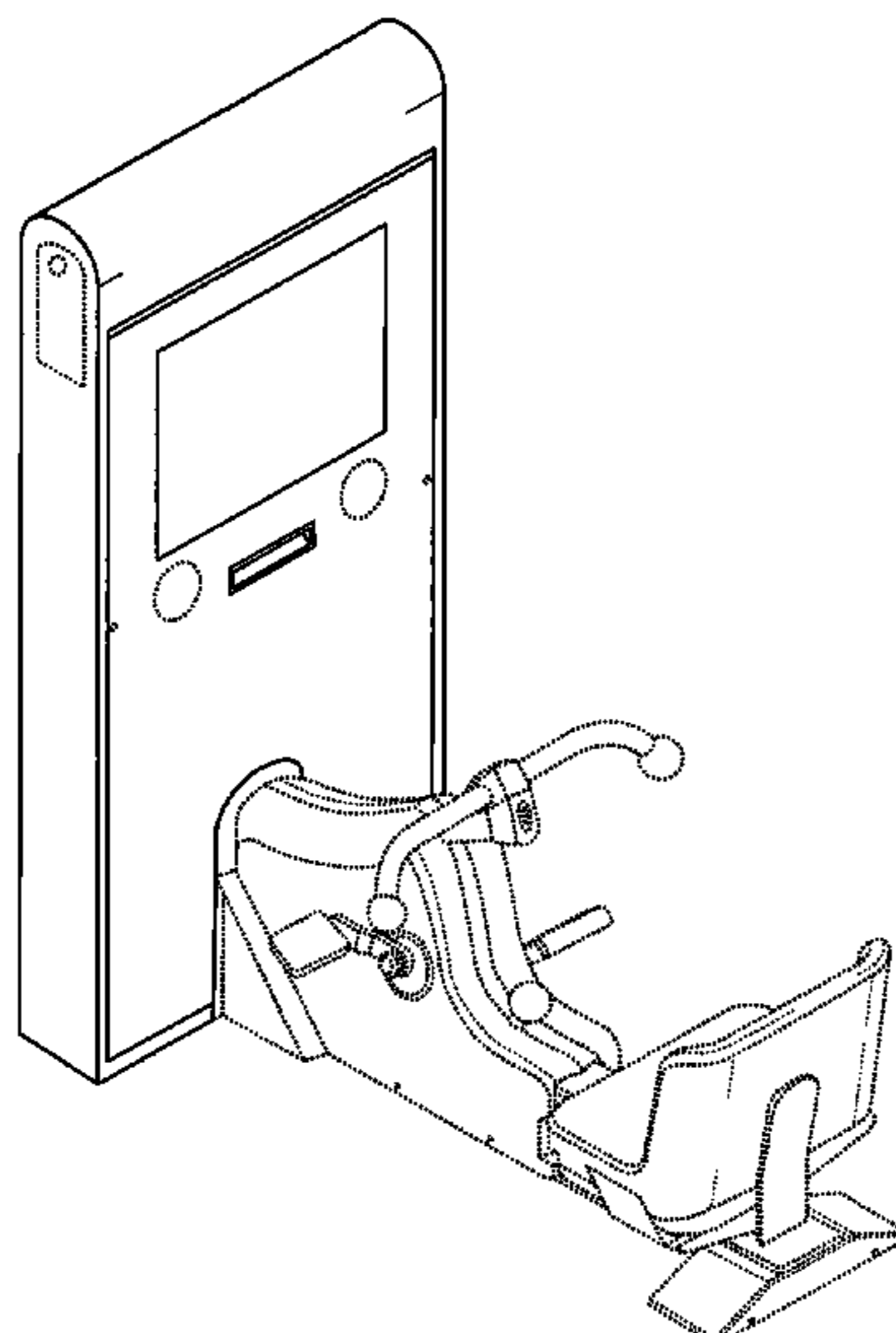
The ornamental design for an interactive game kiosk, as shown and described.

DESCRIPTION

- FIG. 1 is a perspective view of an interactive game kiosk showing our new design;
- FIG. 2 is a front elevational view thereof;
- FIG. 3 is a rear elevational view thereof;
- FIG. 4 is a right side elevational view thereof;
- FIG. 5 is a left side elevational view thereof;
- FIG. 6 is a top plan view thereof; and,
- FIG. 7 is a bottom plan view thereof.

The broken lines are for illustrative purpose only and form no part of the claimed design.

1 Claim, 4 Drawing Sheets



US D609,754 S

Page 2

U.S. PATENT DOCUMENTS

D479,865	S	*	9/2003	Arai et al.	D21/666	2002/0055418	A1	5/2002	Pyles et al.
D480,120	S	*	9/2003	Arai et al.	D21/666	2006/0270522	A1	11/2006	Yonehama
6,739,974	B2		5/2004	Kanno et al.		2006/0292534	A1	12/2006	Tomes
6,881,176	B2		4/2005	Oishi et al.		2007/0123390	A1	5/2007	Mathis
6,902,513	B1		6/2005	McClure		2007/0184940	A1	8/2007	Tomes
6,910,991	B2		6/2005	Matsumoto		2007/0254778	A1	11/2007	Ashby

* cited by examiner

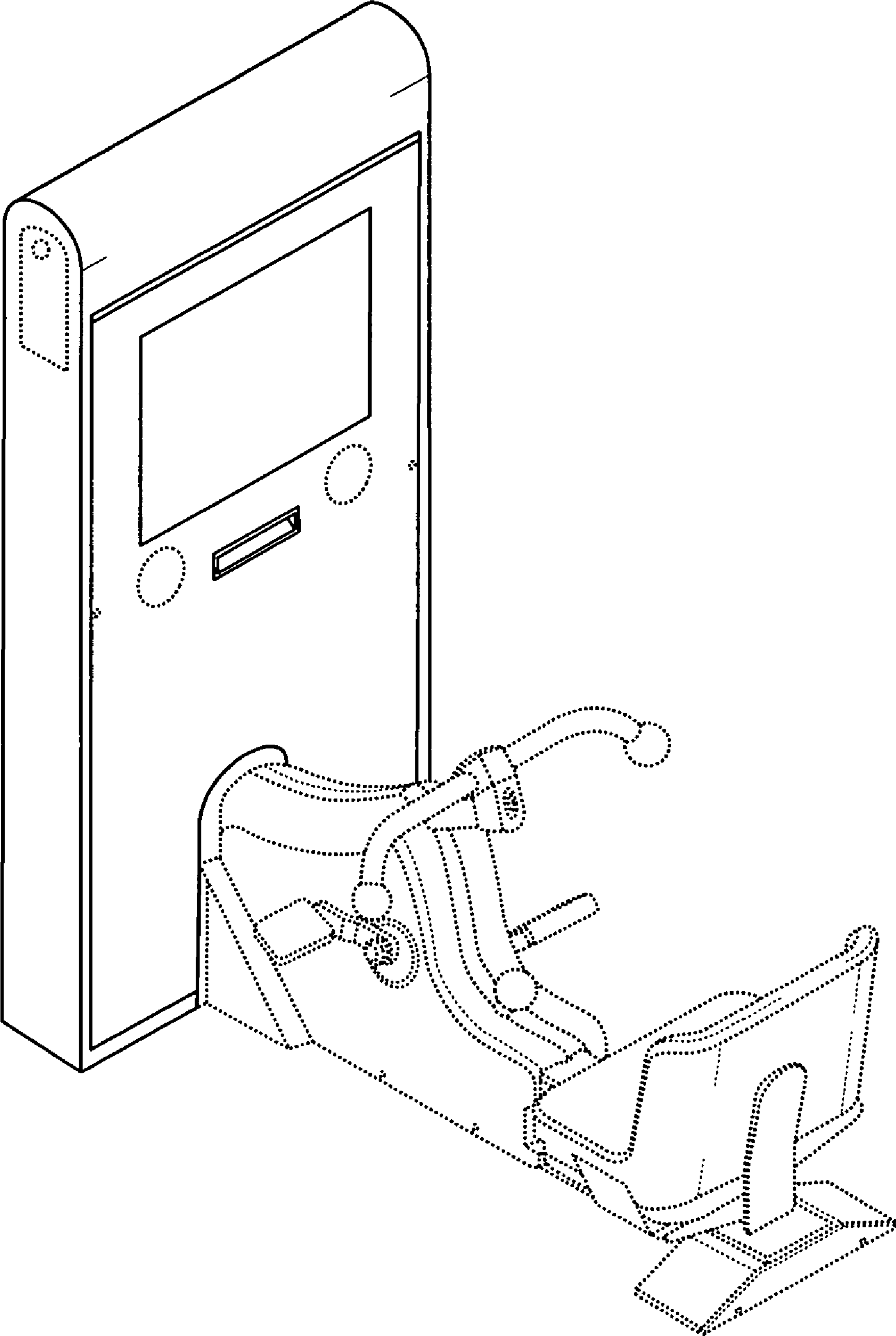


Fig. 1

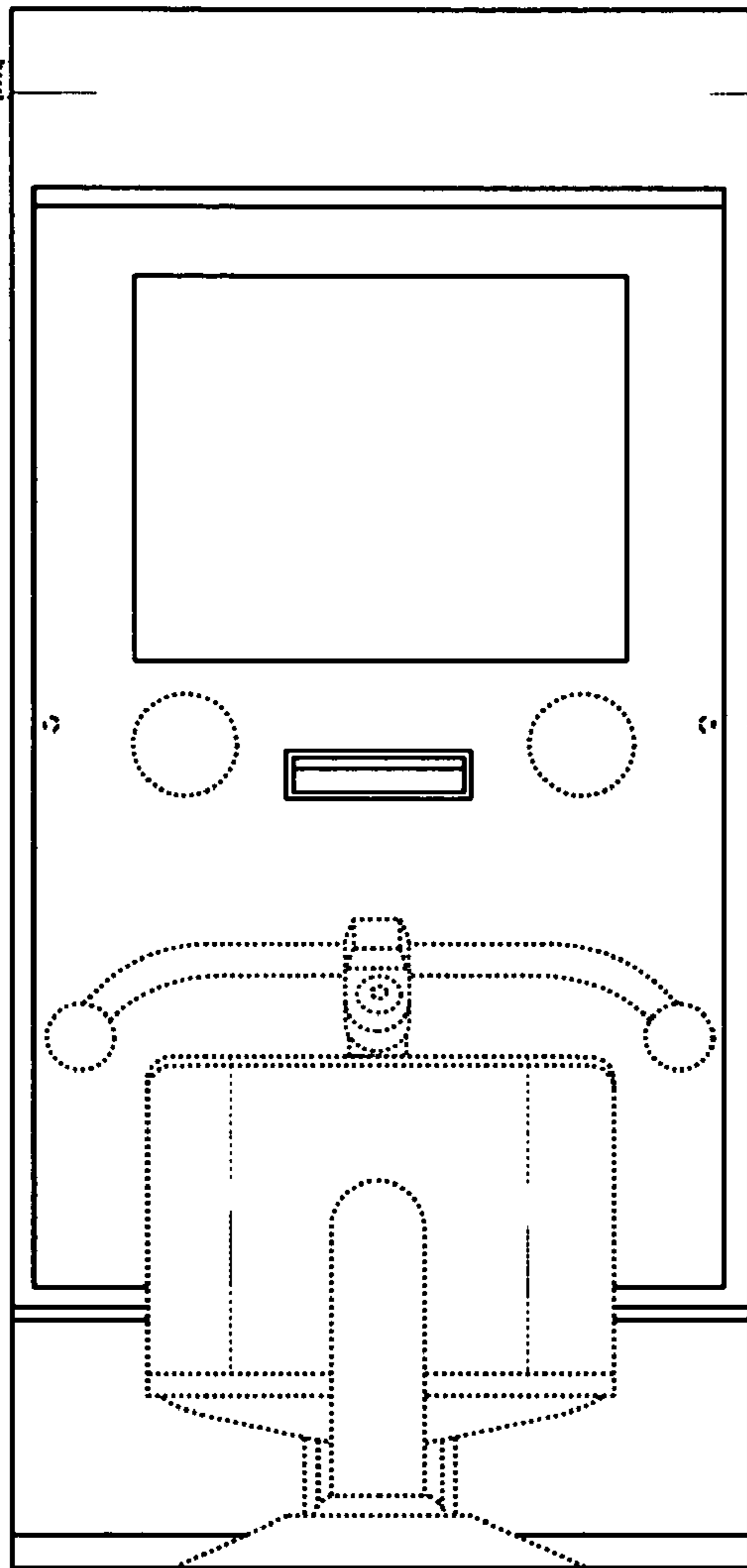


Fig. 2

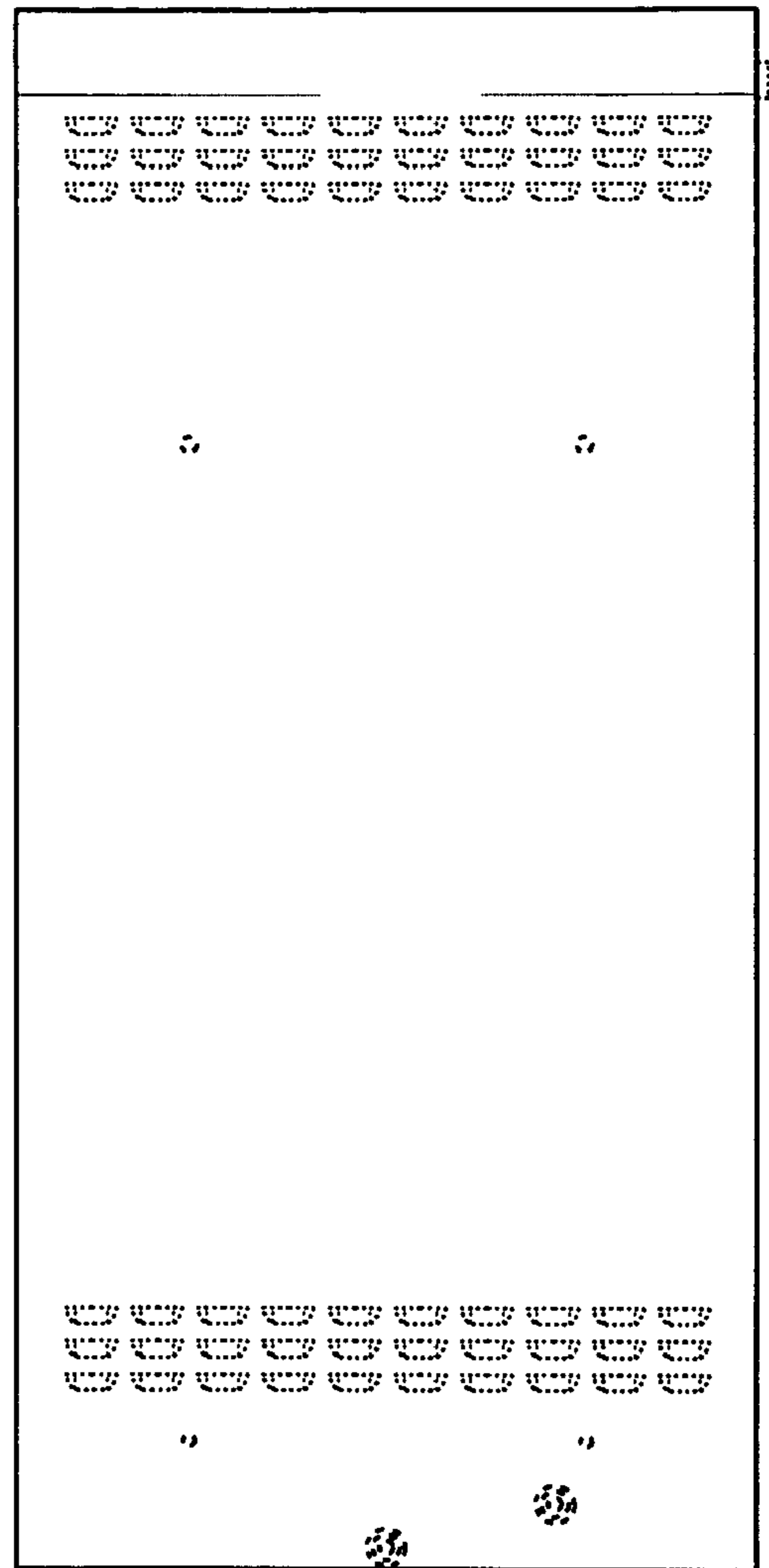


Fig. 3

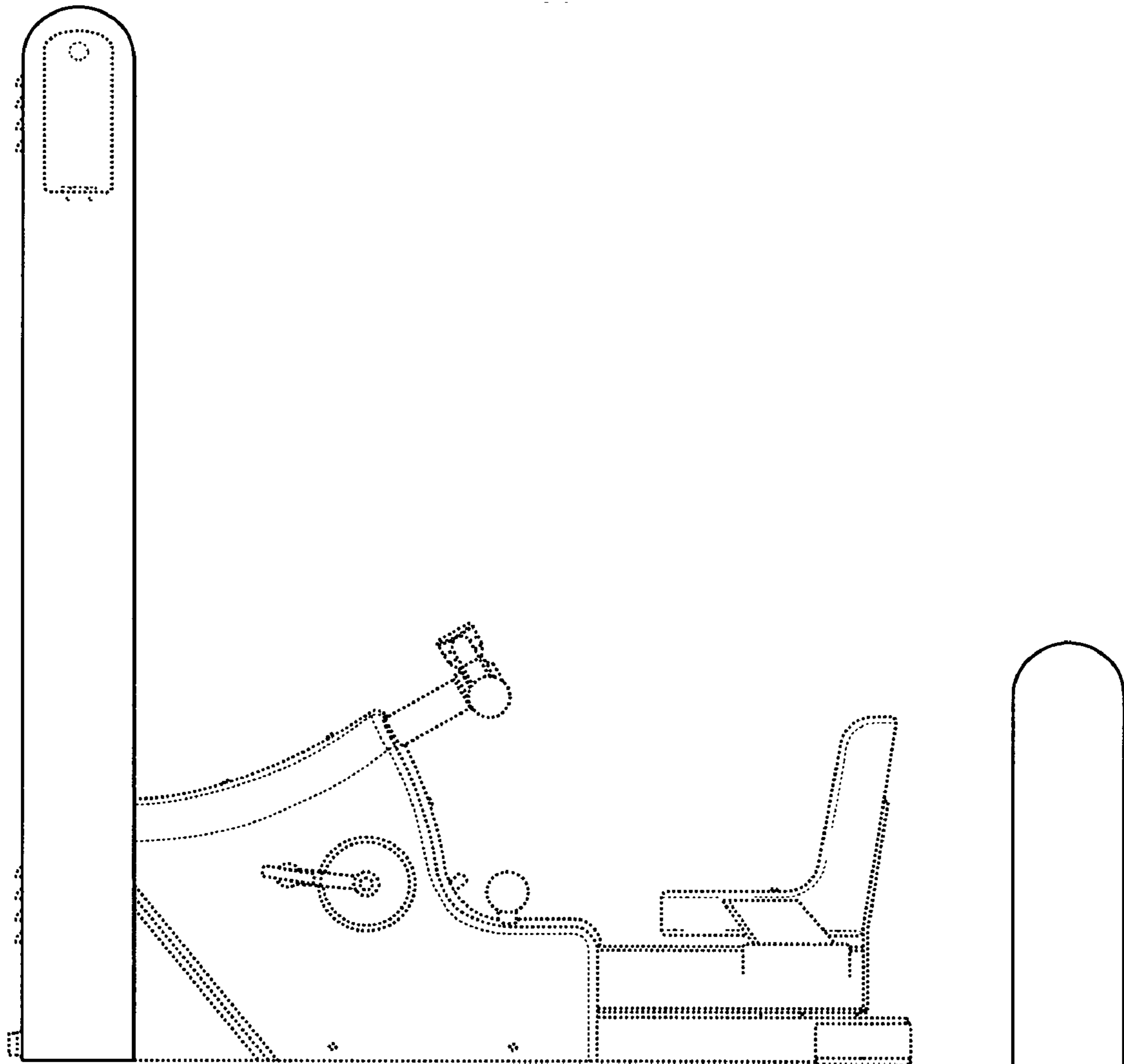


Fig. 4

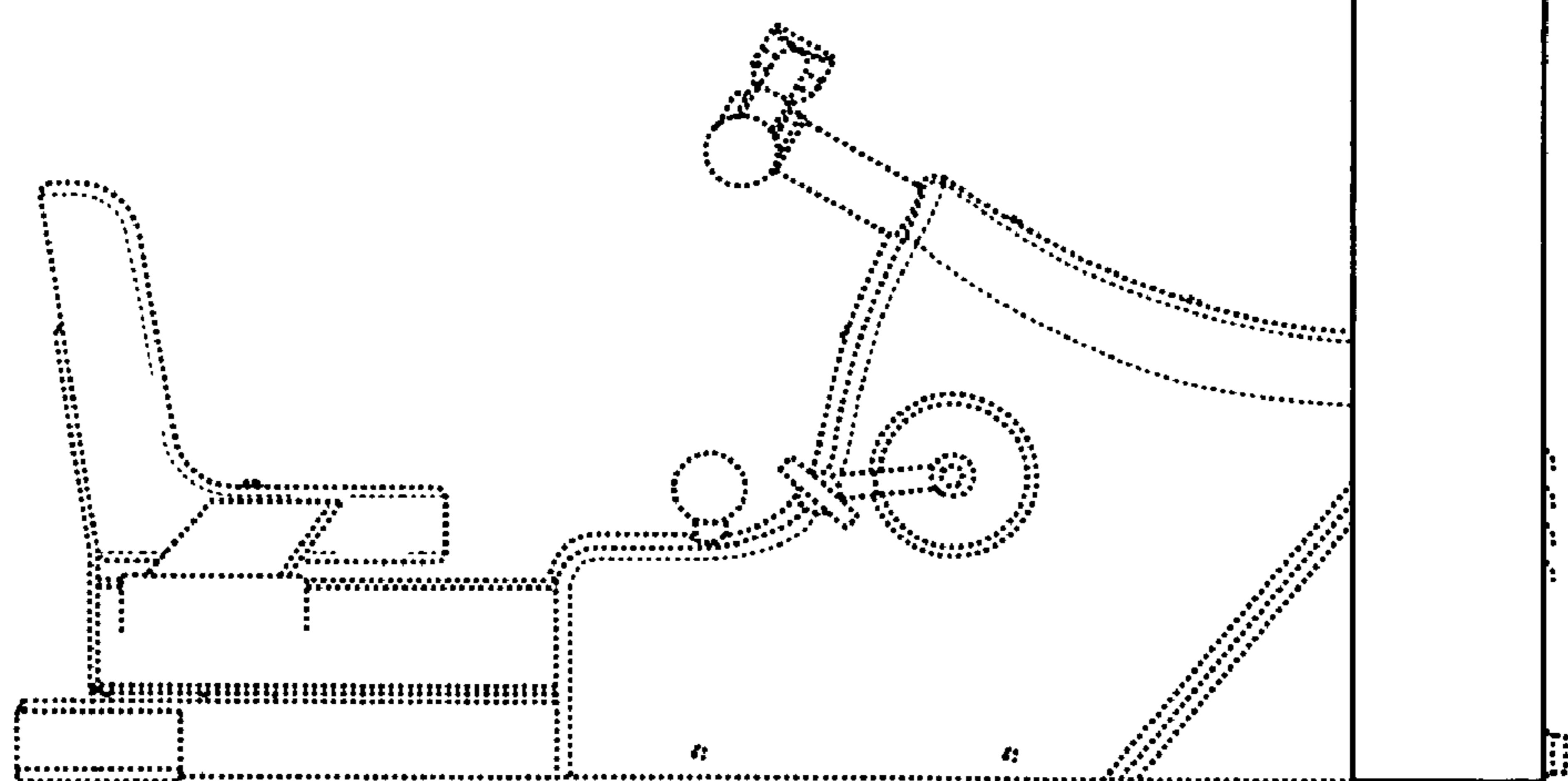


Fig. 5

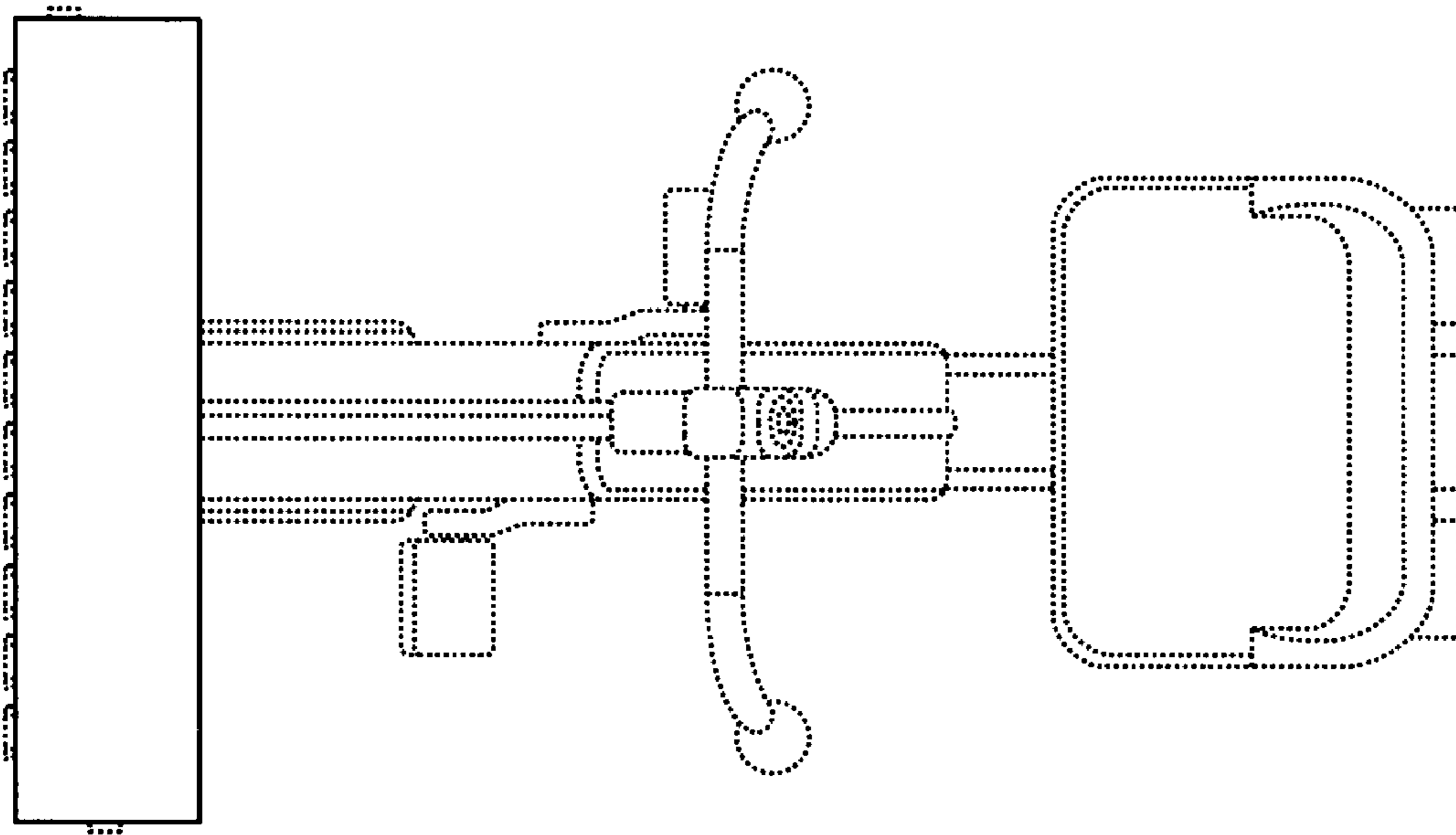


Fig. 6

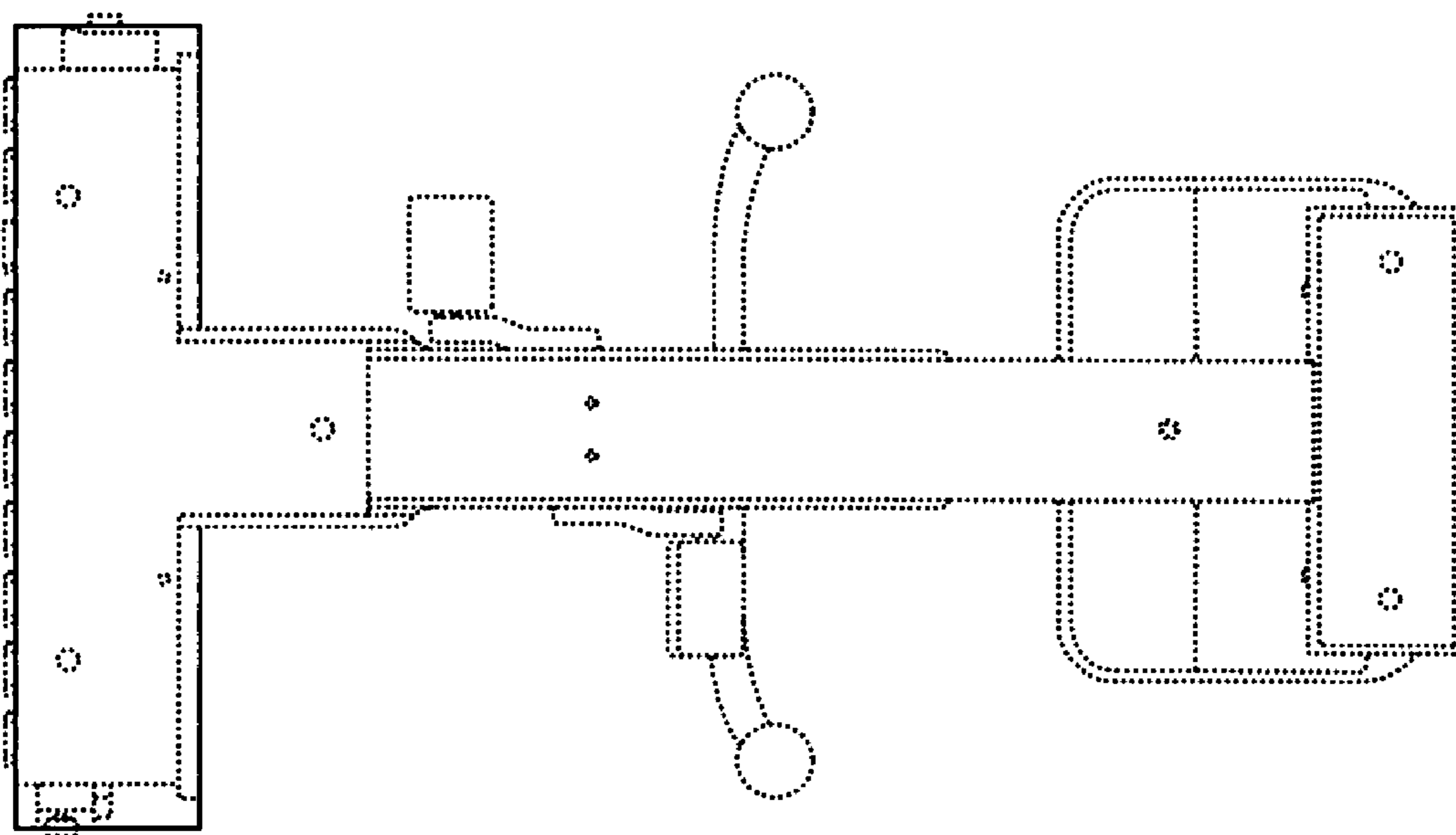


Fig. 7