



US00D609753S

(12) **United States Design Patent**
Dukes et al.

(10) **Patent No.:** **US D609,753 S**
(45) **Date of Patent:** **** Feb. 9, 2010**

(54) **DISPLAY SYSTEM**

(75) Inventors: **Gary Dukes**, Minneapolis, MN (US);
Angela Morrow, Shakopee, MN (US)

(73) Assignee: **Target Brands, Inc.**, Minneapolis, MN (US)

(**) Term: **14 Years**

(21) Appl. No.: **29/318,521**

(22) Filed: **May 21, 2008**

(51) **LOC (9) Cl.** **20-03**

(52) **U.S. Cl.** **D20/43**

(58) **Field of Classification Search** D20/10,
D20/19, 40, 42-44, 99; 40/1, 341, 388, 397,
40/605, 606.14, 607.04, 611.04-611.07,
40/640.02, 642.01, 642.02, 644, 649, 657,
40/661.03, 662, 761; D6/300; 211/87.01,
211/124; 248/201, 220.22, 220.31, 220.41,
248/205.1

See application file for complete search history.

(56) **References Cited**

U.S. PATENT DOCUMENTS

3,021,958 A	2/1962	Winkler	
3,610,425 A	10/1971	Madey	
4,329,800 A *	5/1982	Shuman	40/606.14
4,909,464 A	3/1990	Levine et al.	
4,957,256 A	9/1990	Boeding	
4,976,058 A	12/1990	Valiulis	
5,012,997 A	5/1991	Hutchison	
D319,886 S	9/1991	Simpson et al.	
5,082,215 A	1/1992	Hutchison	
5,123,189 A	6/1992	Fast et al.	
5,189,822 A *	3/1993	Schmanski et al.	40/611.05
5,195,263 A *	3/1993	Huang	40/761
5,235,766 A	8/1993	Fast et al.	
5,261,175 A	11/1993	Gebka	
5,325,616 A	7/1994	Valiulis	
5,429,334 A	7/1995	Hutchison	
5,437,116 A	8/1995	Hardy	
5,465,516 A	11/1995	Stabile	

5,477,631 A *	12/1995	Hewitt	40/605
5,511,332 A	4/1996	Sturkie et al.	
D375,980 S *	11/1996	Current	D20/40
5,657,884 A	8/1997	Zilincar, III	
5,678,794 A	10/1997	Kump	
5,722,623 A *	3/1998	Gibson	248/201
5,832,644 A *	11/1998	Mason	40/642.02
5,987,794 A *	11/1999	Lavi et al.	40/611.04
6,070,747 A	6/2000	Shea	
D435,435 S	12/2000	Shea	
6,189,247 B1	2/2001	Gebka	
6,199,706 B1	3/2001	Shea	
D464,837 S	10/2002	Shea	
D466,352 S	12/2002	Shea	
6,694,654 B2	2/2004	Poulokefalos et al.	
D562,113 S	2/2008	Ciungan et al.	
2002/0104246 A1 *	8/2002	Reynolds	40/642.02
2005/0274855 A1 *	12/2005	Shin	248/220.22
2008/0073469 A1	3/2008	Mushan et al.	

* cited by examiner

Primary Examiner—Janice E Seeger

Assistant Examiner—Mary Ann Calabrese

(74) *Attorney, Agent, or Firm*—Griffiths & Seaton PLLC

(57) **CLAIM**

The ornamental design for a display system, as shown.

DESCRIPTION

FIG. 1 is an isometric view of a display system;

FIG. 2 is a front view thereof;

FIG. 3 is a rear view thereof;

FIG. 4 is a right view thereof;

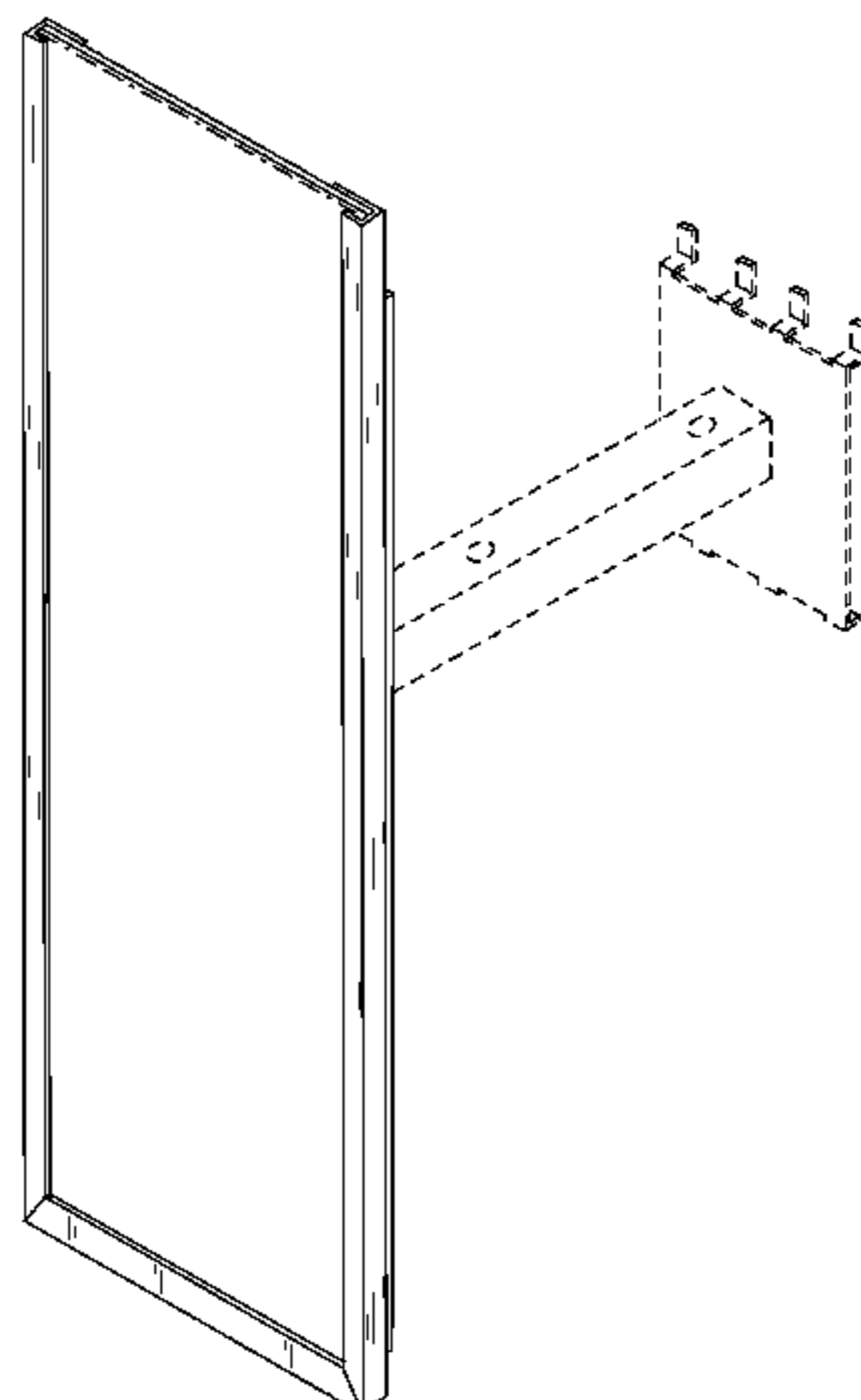
FIG. 5 is a left view thereof;

FIG. 6 is a top side view thereof; and,

FIG. 7 is a bottom side view thereof.

The broken lines are for illustrative purposes only and form no part of the claimed design. The dash-dot broken lines in FIGS. 1 and 6 designate a boundary of claimed matter of the display system. The remaining broken lines designate unclaimed features of the design.

1 Claim, 6 Drawing Sheets



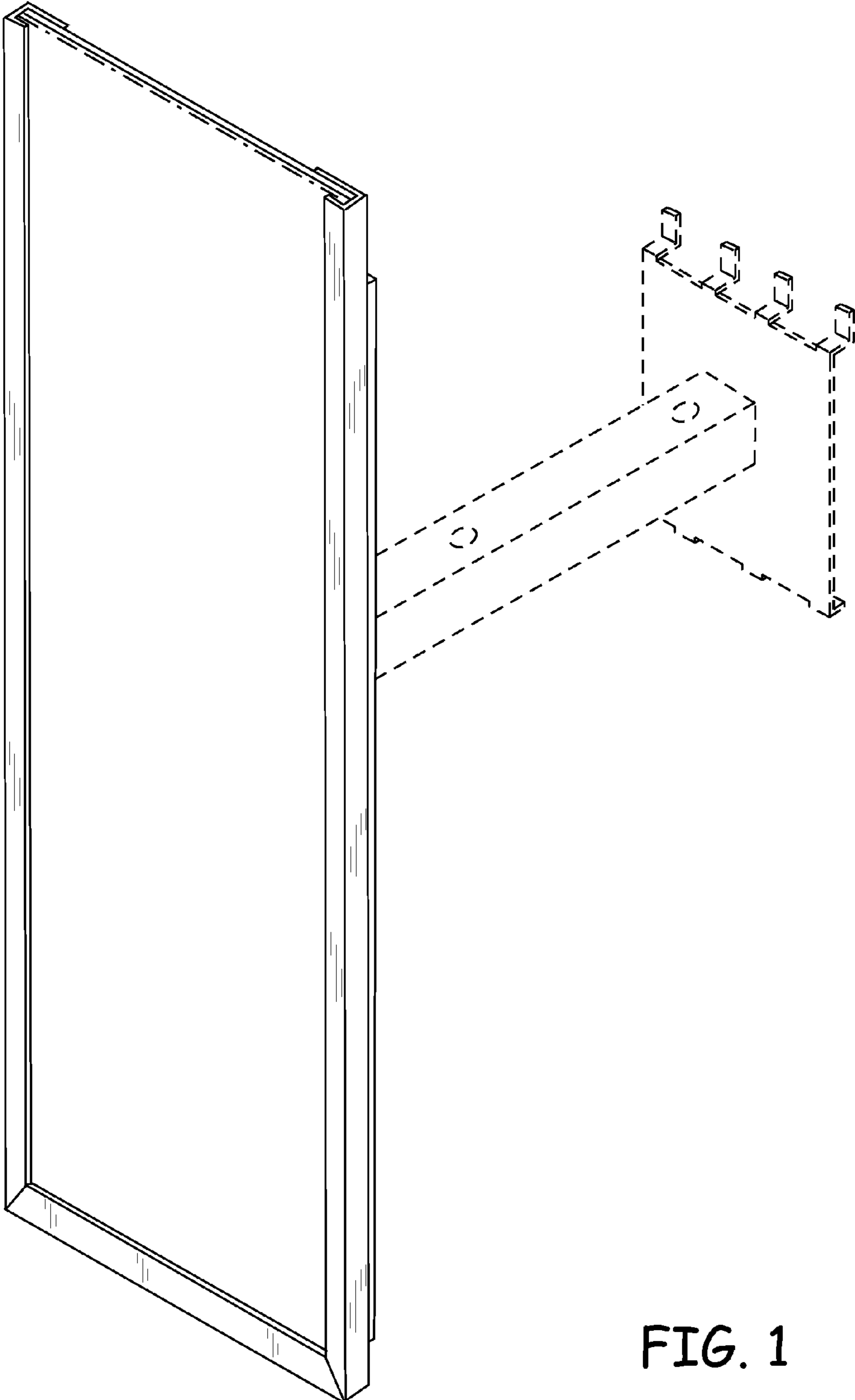


FIG. 1

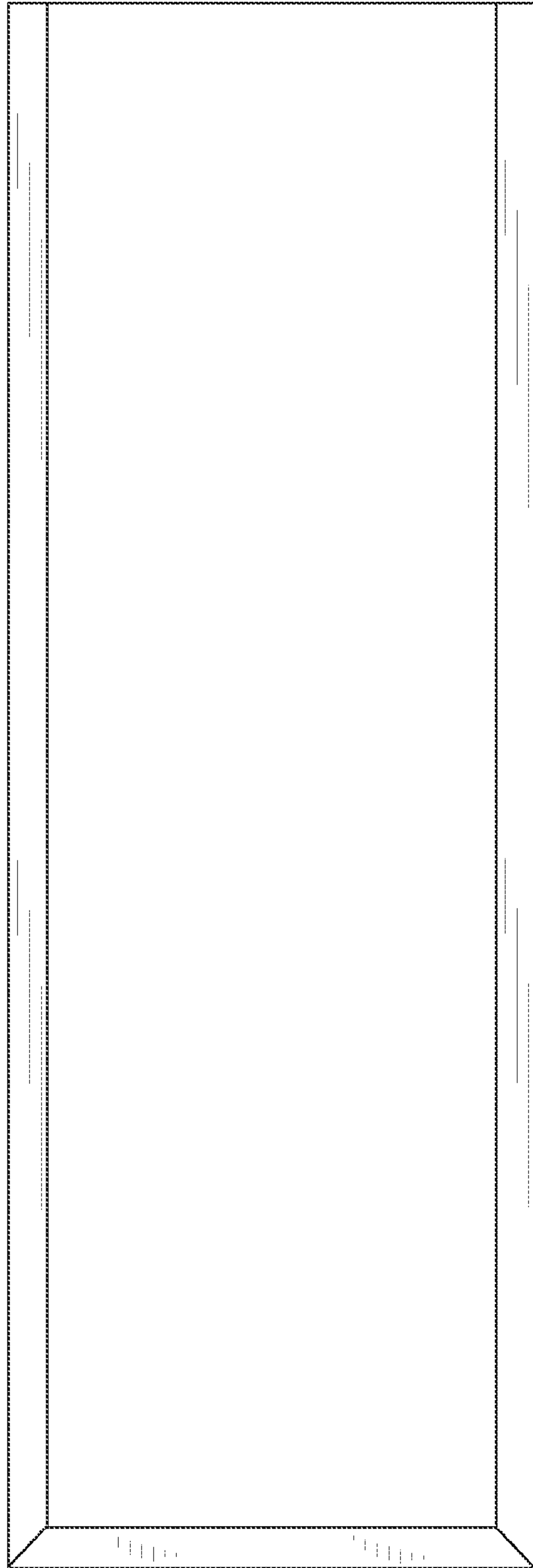


FIG. 2

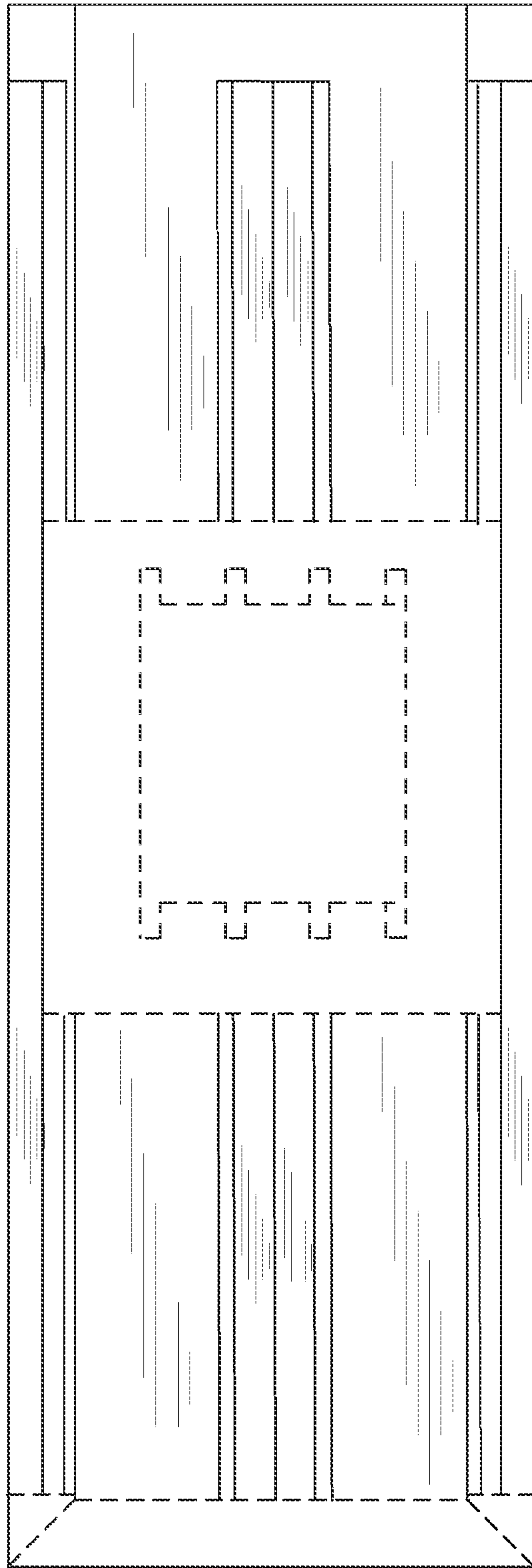


FIG. 3

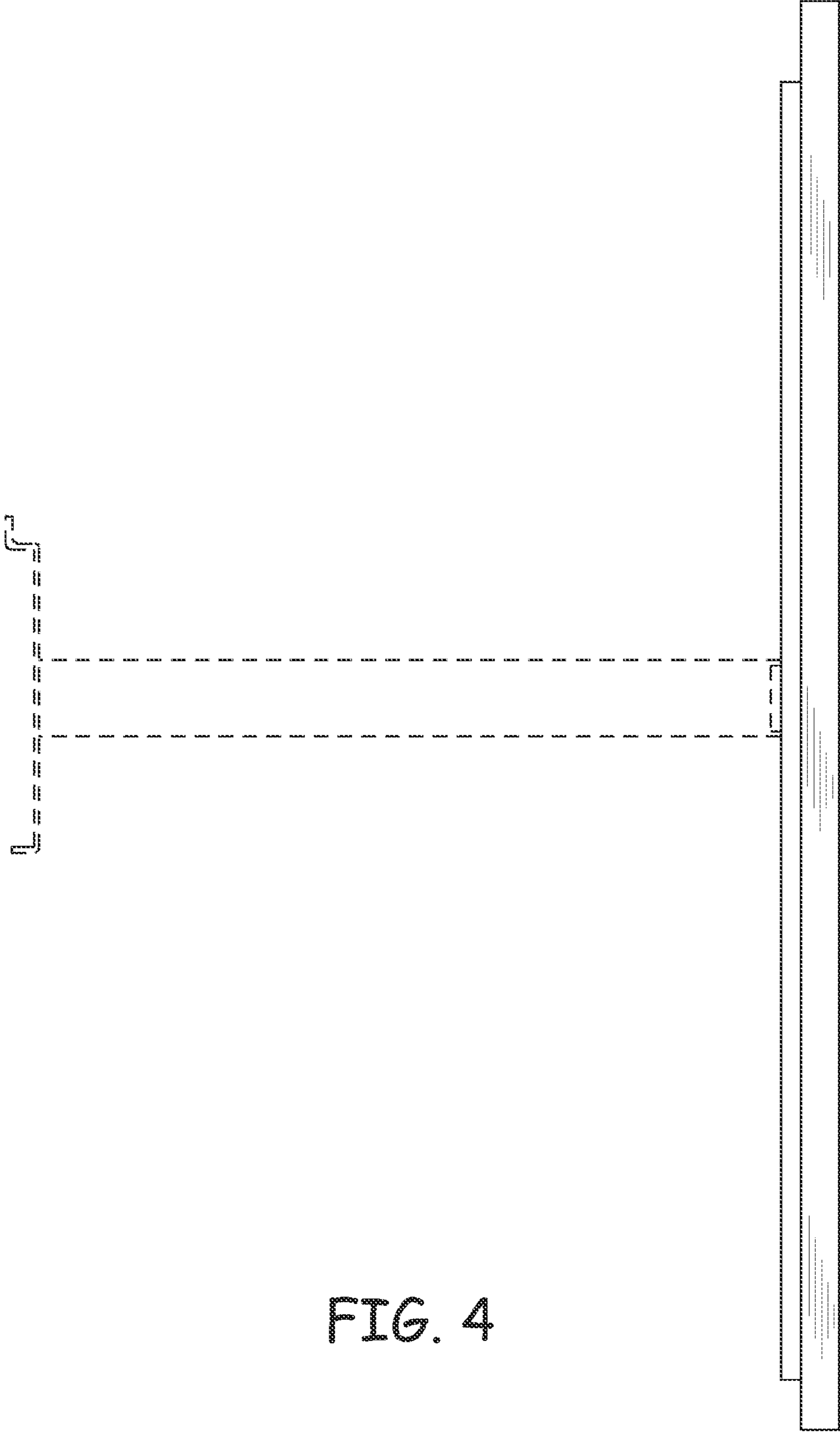


FIG. 4

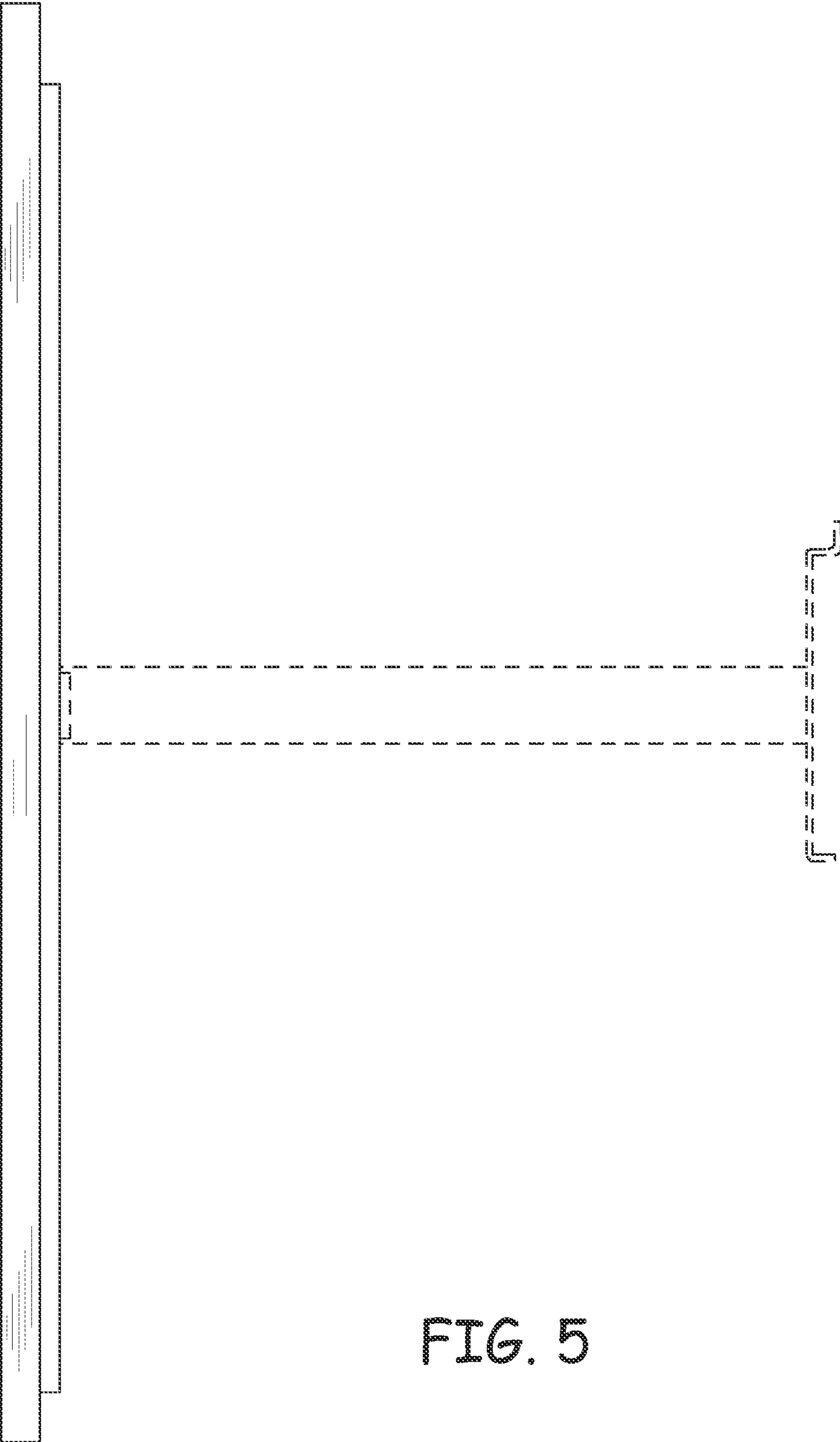


FIG. 5

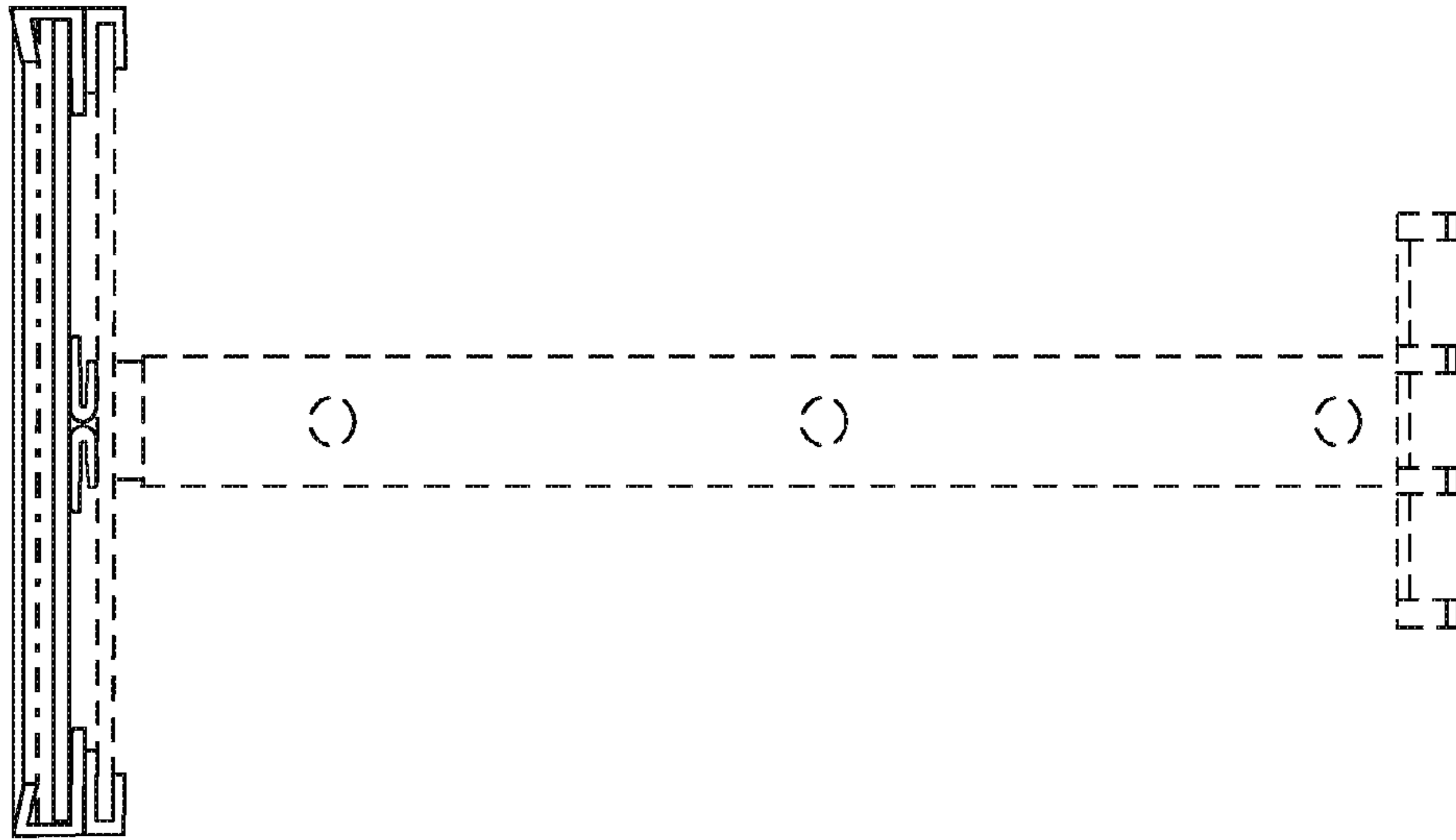


FIG. 6

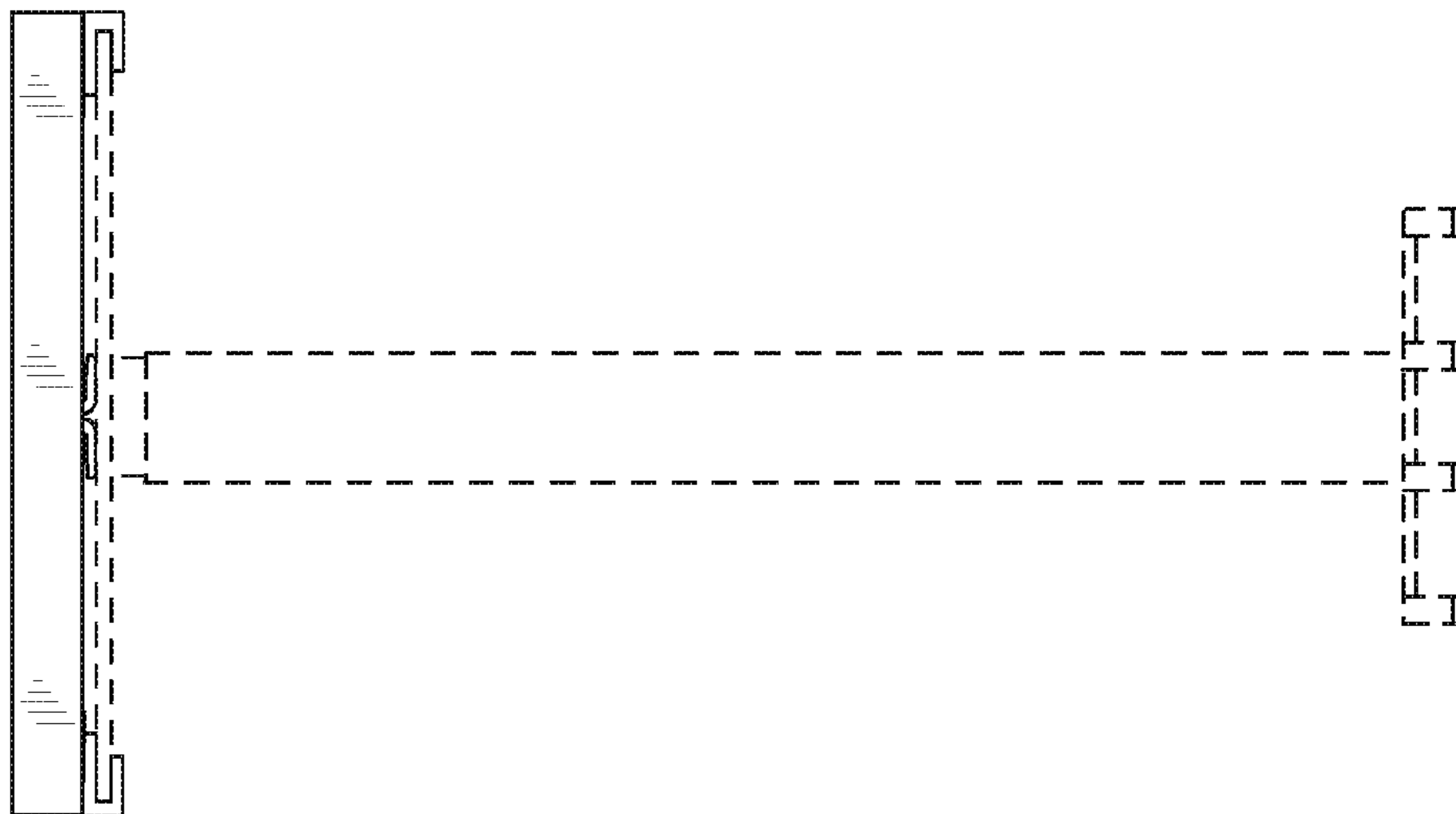


FIG. 7