



US00D609752S

(12) **United States Design Patent**
Miller

(10) **Patent No.:** **US D609,752 S**

(45) **Date of Patent:** **** Feb. 9, 2010**

(54) **SPORTS-THEMED BATTLE STANDARD**

(76) **Inventor:** **Stenstrom D. Miller**, 1323 Millington St., Winfield, KS (US) 67156

(**) **Term:** **14 Years**

(21) **Appl. No.:** **29/313,810**

(22) **Filed:** **Feb. 13, 2009**

(51) **LOC (9) Cl.** **20-02**

(52) **U.S. Cl.** **D20/41**

(58) **Field of Classification Search** D20/10, D20/17, 19, 21, 31, 39-43, 99; 40/473, 538, 40/541, 542, 553, 584, 600, 606.03, 606.14, 40/606.18, 607.1, 617; D10/104, 109, 114; D19/96; D26/72, 85; 248/118.7; 340/473; 362/559, 565, 812

See application file for complete search history.

(56) **References Cited**

U.S. PATENT DOCUMENTS

- D60,887 S * 4/1922 Tuttle D19/96
- D78,442 S * 5/1929 Carson D20/41
- 1,817,064 A 8/1931 Carson
- D161,350 S 12/1950 Leventhal
- D183,569 S * 9/1958 Hoffman D10/114
- 3,553,871 A 1/1971 Benchley, Jr.
- D220,559 S * 4/1971 Hight D20/41
- 3,654,716 A * 4/1972 Moss 40/473
- 3,908,947 A * 9/1975 Bledsoe, Jr. 248/188.7
- D276,736 S * 12/1984 Maya et al. D20/17
- D277,397 S * 1/1985 Arthur D20/31
- D277,584 S 2/1985 Annstedt
- 4,922,223 A * 5/1990 Prevot 340/473

- D345,933 S * 4/1994 Joyce, Jr. D10/109
- D366,798 S 2/1996 Messersmith
- D373,972 S 9/1996 Aldridge
- D382,597 S 8/1997 Vetro
- D393,489 S 4/1998 Tabor
- 6,065,233 A * 5/2000 Rink 40/607.1
- D449,116 S 10/2001 Sullivan
- D557,344 S 12/2007 Johnson
- D589,092 S * 3/2009 Glover D20/19

* cited by examiner

Primary Examiner—Janice E Seeger

Assistant Examiner—Mary Ann Calabrese

(74) *Attorney, Agent, or Firm*—Joseph T. Yaksich

(57) **CLAIM**

The ornamental design for a sports-themed battle standard, as shown and described.

DESCRIPTION

FIG. 1 is a front view of a sports-themed battle standard, as shown and described;

FIG. 2 is a side view one-hundred-and-twenty degrees (120°) from the view in FIG. 1 thereof;

FIG. 3 is a side view one-hundred-and-twenty degrees (120°) from the view in FIG. 2 thereof,

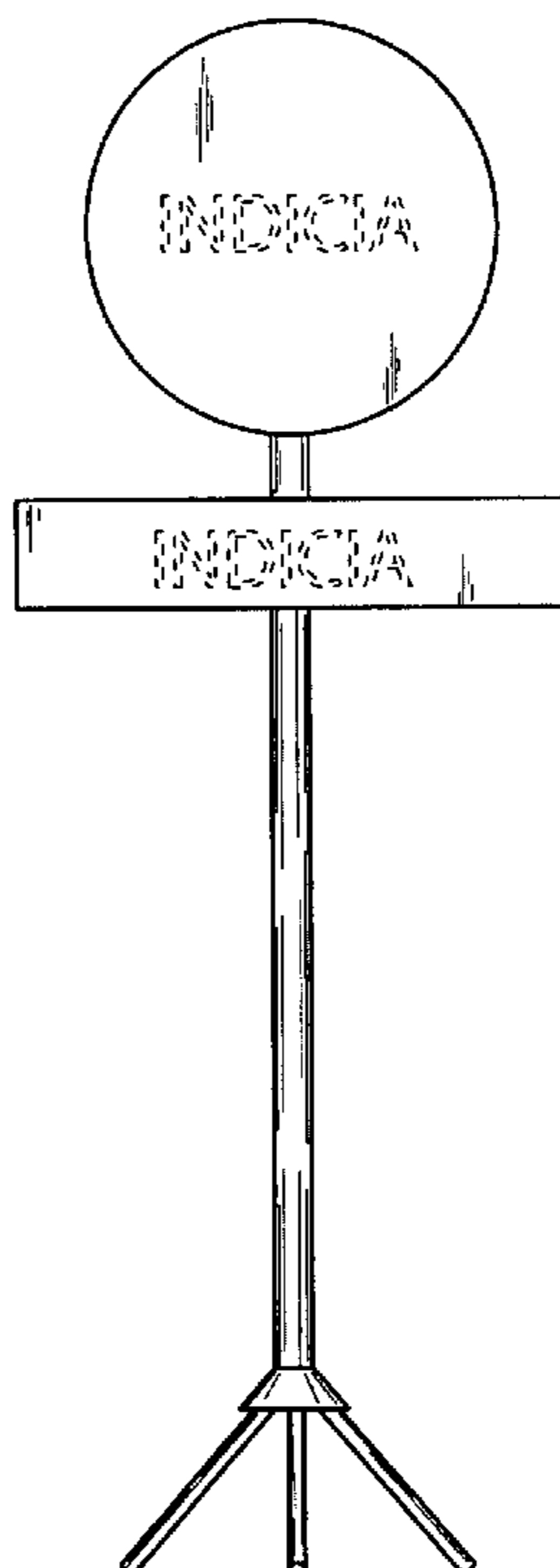
FIG. 4 is a rear view thereof;

FIG. 5 is a top view thereof; and,

FIG. 6 is a bottom view thereof.

In the drawings, the broken lines illustrate environment and form no part of the claimed design.

1 Claim, 6 Drawing Sheets



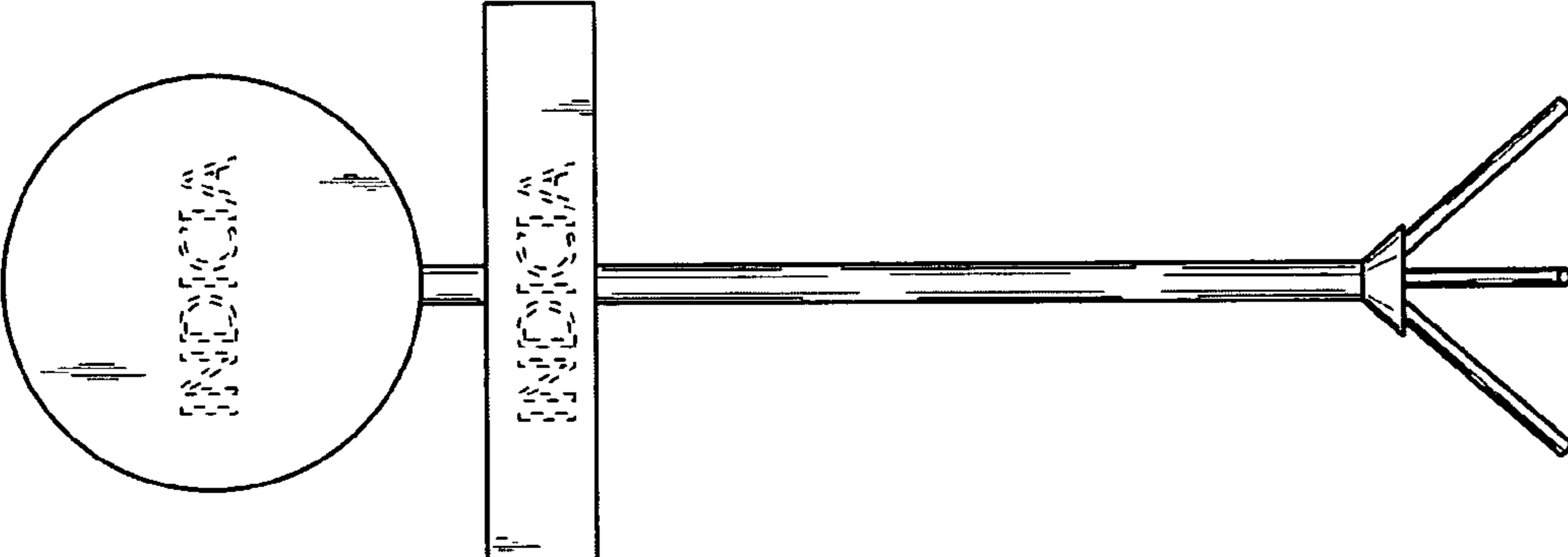


Fig. 1

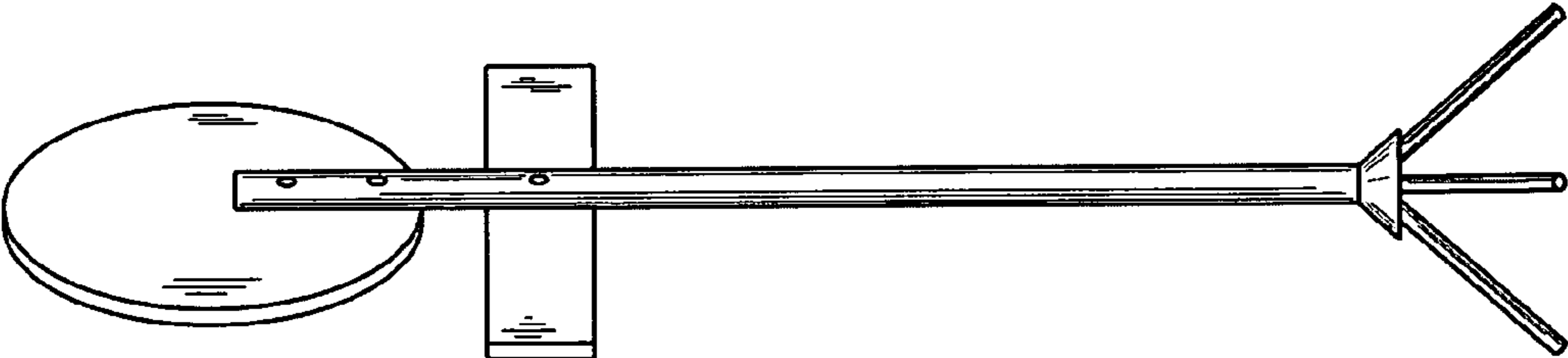


Fig. 2

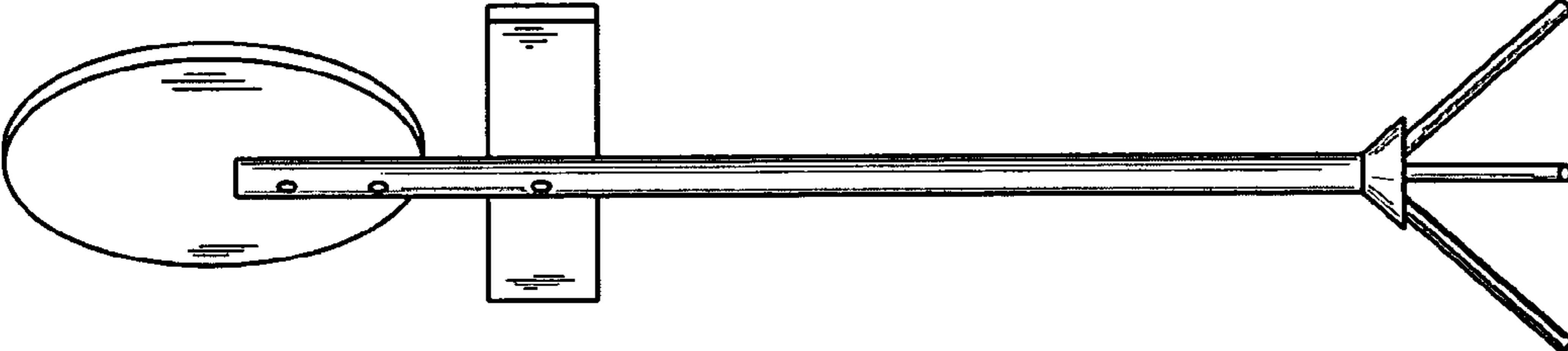


Fig. 3

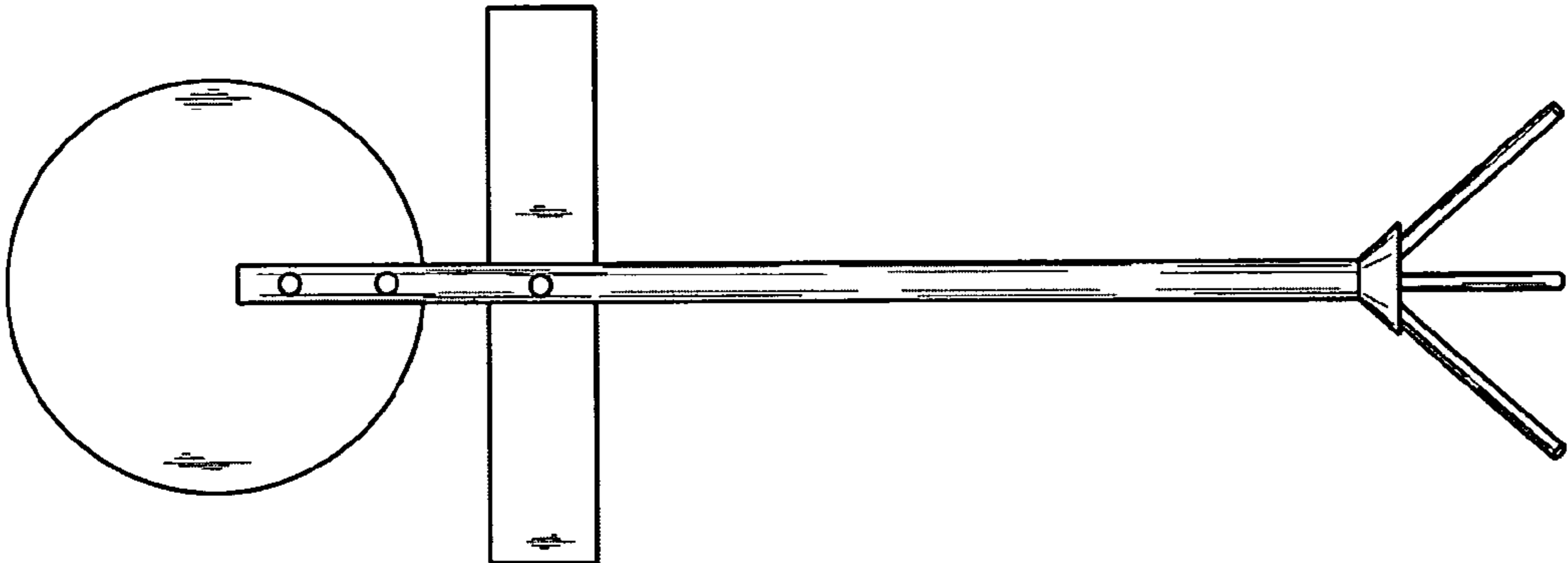


Fig. 4

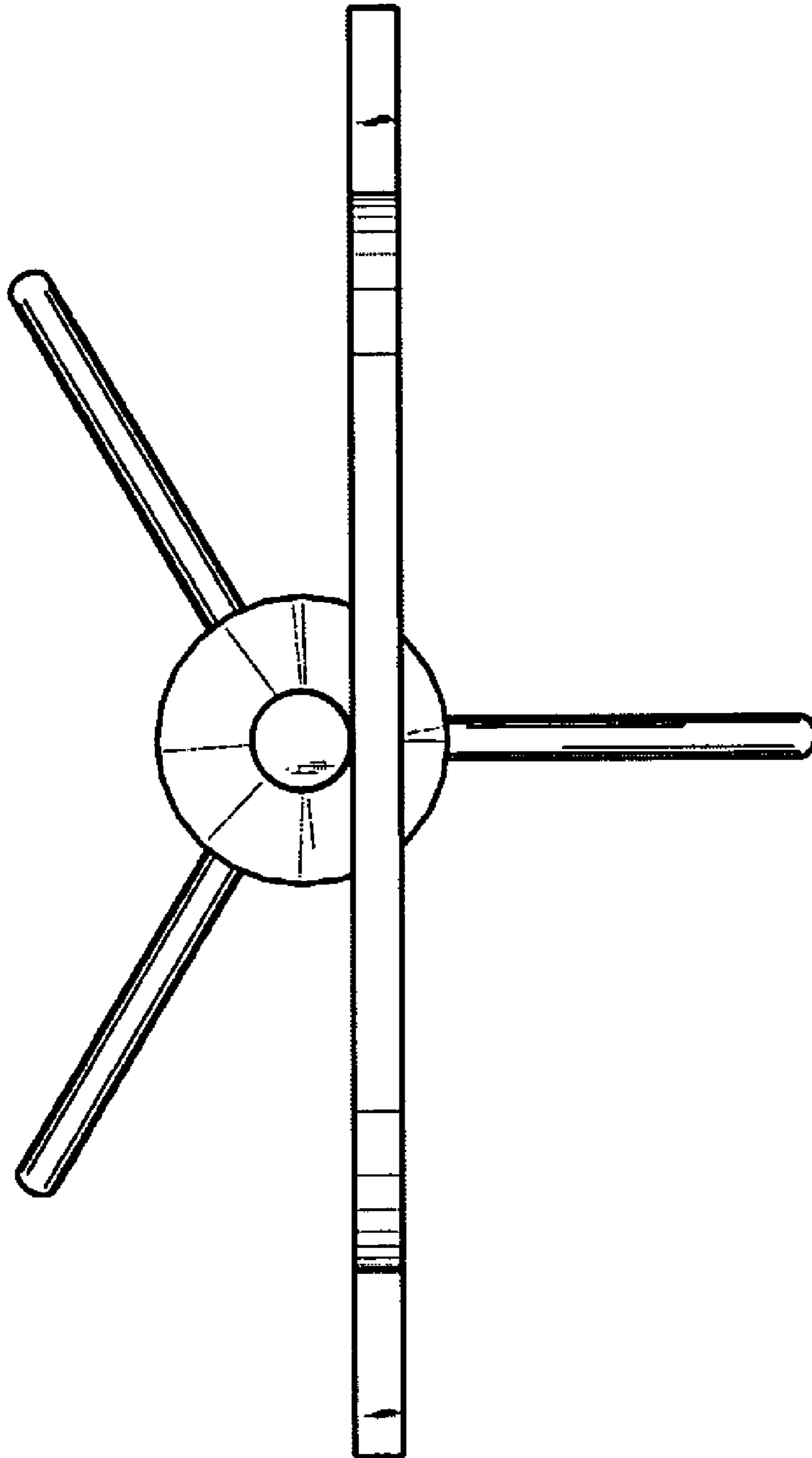


Fig. 5

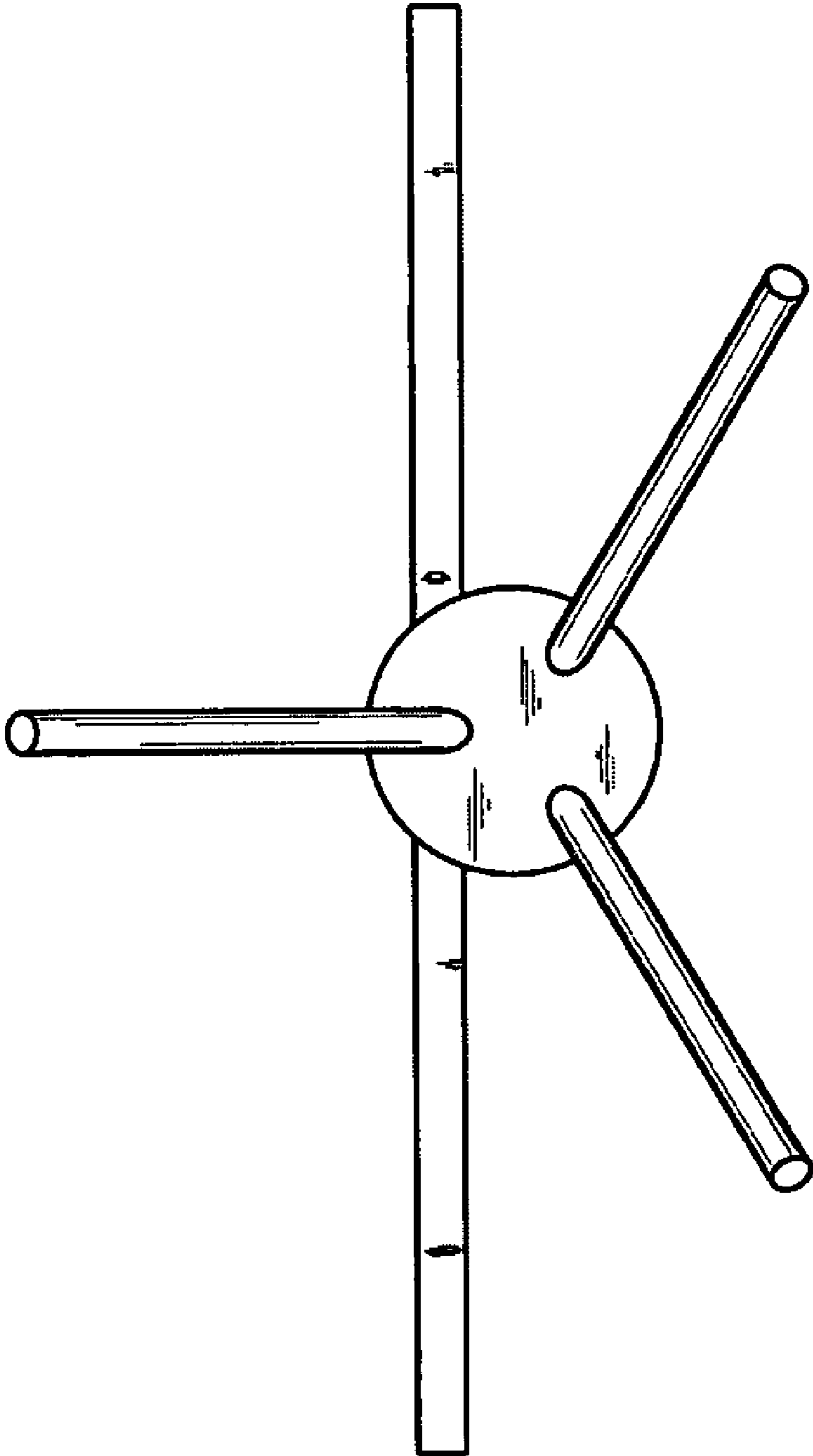


Fig. 6