



US00D609751S

(12) **United States Design Patent**  
**Marotti**

(10) **Patent No.:** **US D609,751 S**  
(45) **Date of Patent:** **\*\* Feb. 9, 2010**

(54) **LABEL FOR A CONTAINER**  
(75) Inventor: **Martin Jay Marotti**, Carmel, IN (US)  
(73) Assignee: **The Procter & Gamble Company**,  
Cincinnati, OH (US)  
(\*\*) Term: **14 Years**  
(21) Appl. No.: **29/333,043**  
(22) Filed: **Mar. 2, 2009**

6,670,009 B1 \* 12/2003 Voss ..... 428/40.1  
D516,627 S \* 3/2006 Collins et al. .... D20/22  
D527,824 S \* 9/2006 Mueller et al. .... D24/189  
D543,384 S \* 5/2007 Resterhouse et al. .... D6/487  
D559,107 S \* 1/2008 Bates et al. .... D9/516  
D561,838 S \* 2/2008 Beam et al. .... D20/27  
D580,593 S \* 11/2008 Huntington ..... D28/4  
2007/0020423 A1 \* 1/2007 Chamandy et al. .... 428/40.1

\* cited by examiner

*Primary Examiner*—Janice E Seeger  
*Assistant Examiner*—Mary Ann Calabrese  
(74) *Attorney, Agent, or Firm*—Emelyn L. Hiland

(51) **LOC (9) Cl.** ..... **19-08**  
(52) **U.S. Cl.** ..... **D20/22**  
(58) **Field of Classification Search** ..... D20/10,  
D20/11, 15, 19, 22, 23, 26–30, 40, 42, 99;  
40/27.5, 124.01, 124.02, 299.01, 305–313,  
40/324, 359, 360, 541, 542, 584, 600, 617,  
40/638, 640; D6/582, 584, 511; D9/516;  
D24/189; D28/4; 283/56, 71, 81  
See application file for complete search history.

(57) **CLAIM**

The ornamental design for a label for a container, as shown and described.

**DESCRIPTION**

FIG. 1 is a perspective view of a bottle container on which a label incorporating our new design is applied;  
FIG. 2 is a front elevational view thereof;  
FIG. 3 is a rear elevational view thereof;  
FIGS. 4 and 5 are side elevational views thereof;  
FIG. 6 is a top plan view thereof; and,  
FIG. 7 is a bottom view thereof.

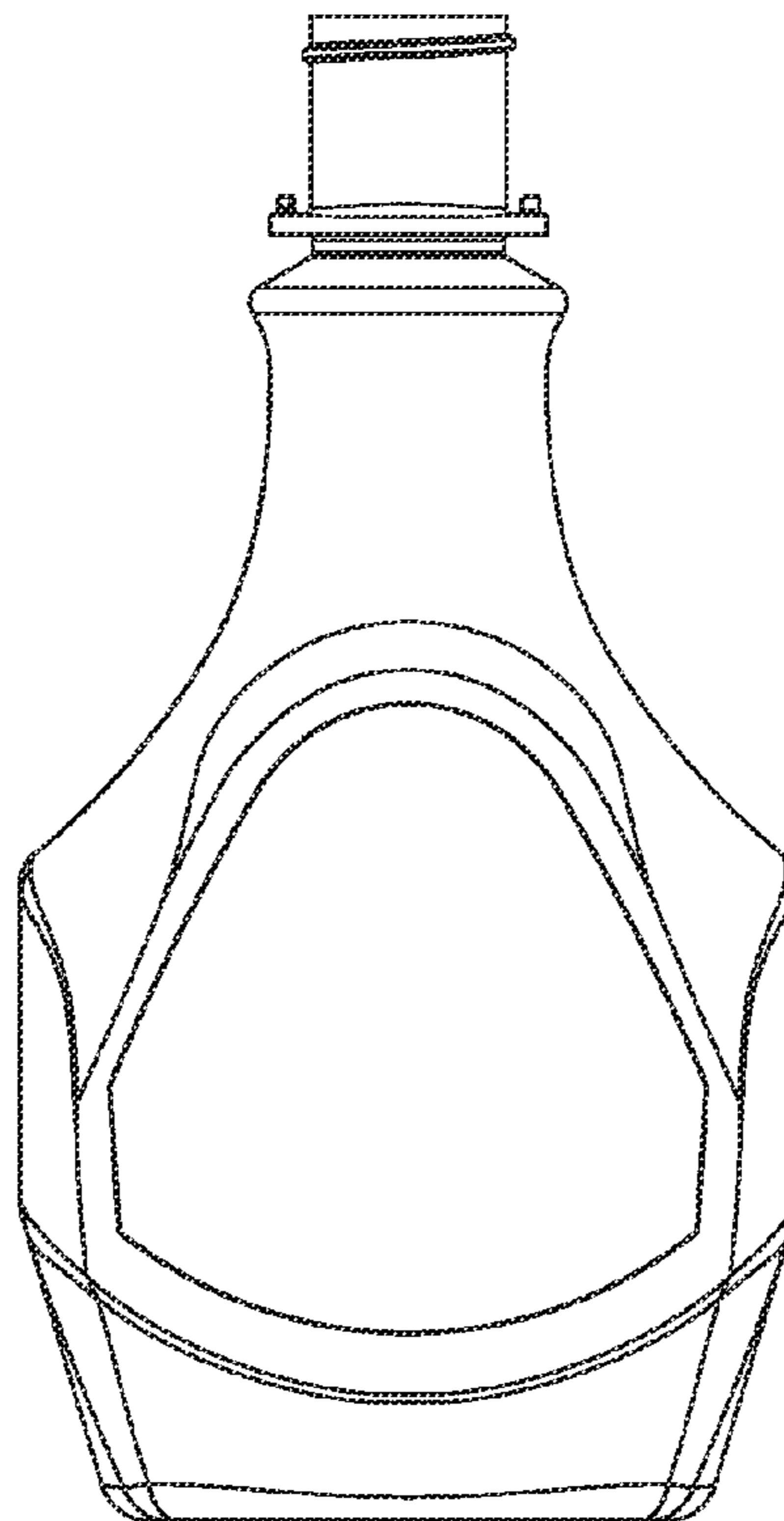
The broken lines shown in the drawings are for illustrative purposes only and form no part of the claimed design.

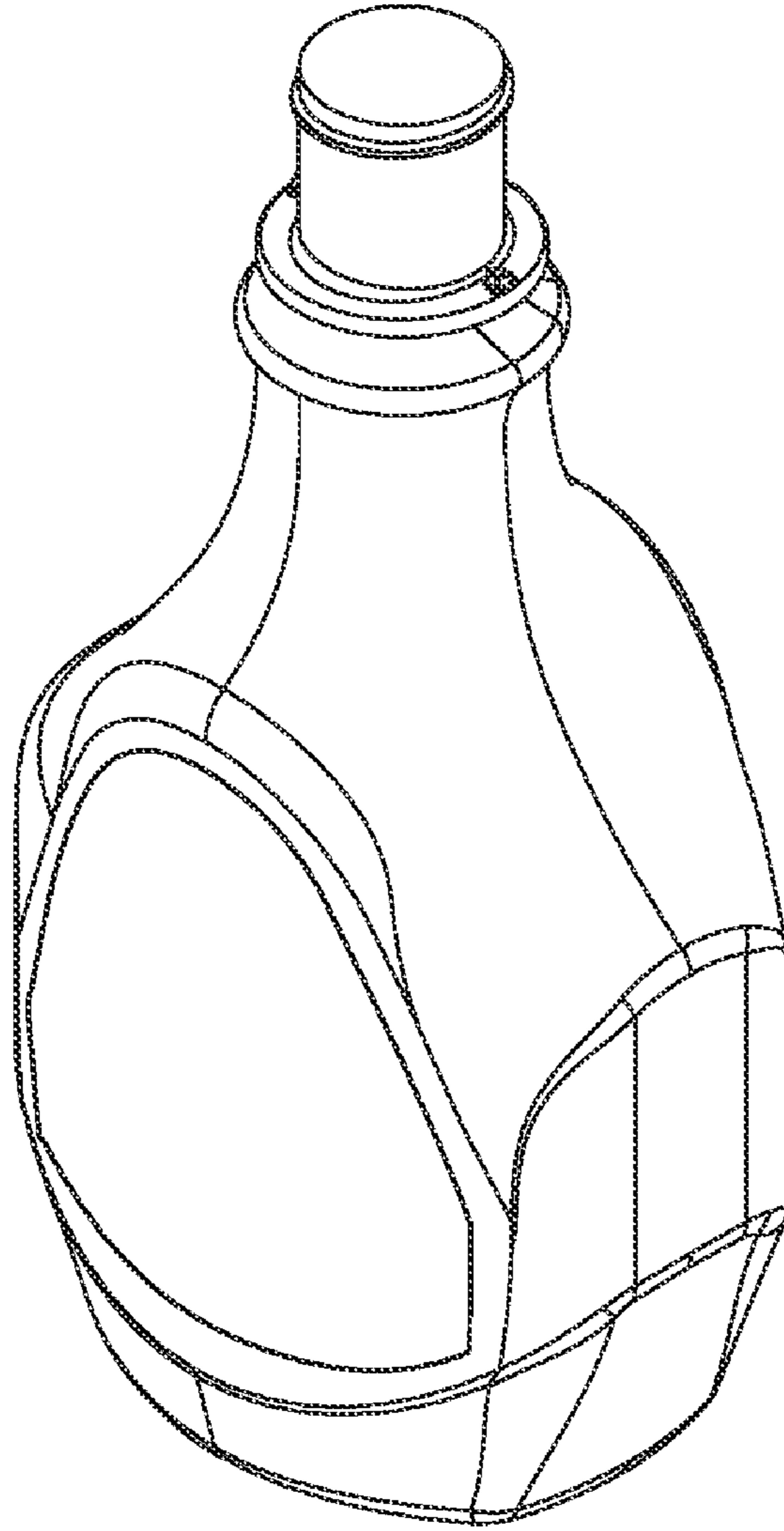
(56) **References Cited**

U.S. PATENT DOCUMENTS

D24,181 S \* 4/1895 May ..... D20/22  
D50,594 S \* 4/1917 Voges ..... D20/40  
D73,128 S \* 7/1927 Harris ..... D20/40  
D164,743 S \* 10/1951 Terry ..... D20/30  
D166,641 S \* 4/1952 Terry ..... D20/30  
D194,090 S \* 11/1962 Mercorelli ..... D20/15  
D232,146 S \* 7/1974 Dean ..... D6/584

**1 Claim, 4 Drawing Sheets**





**Fig. 1**

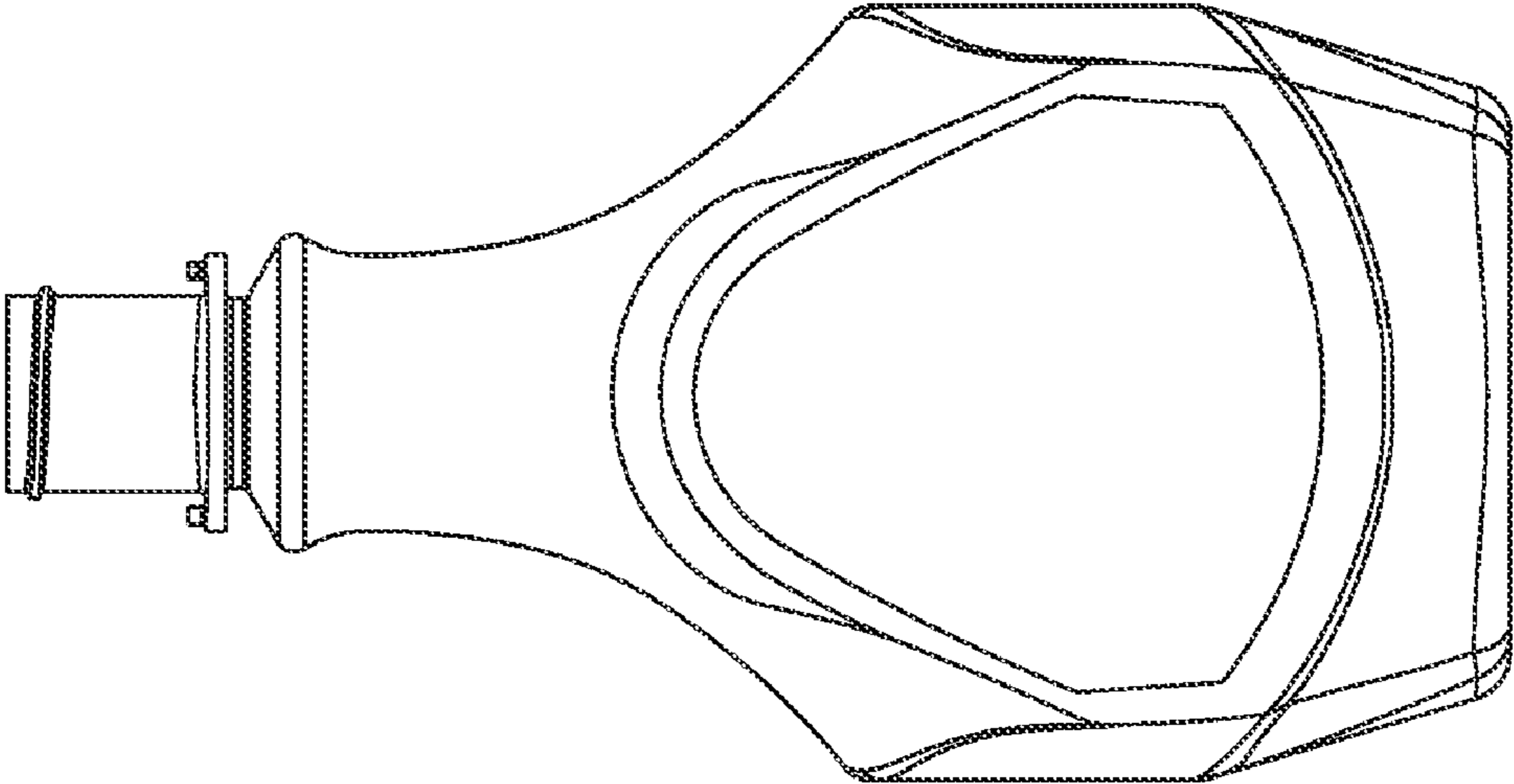


Fig. 3

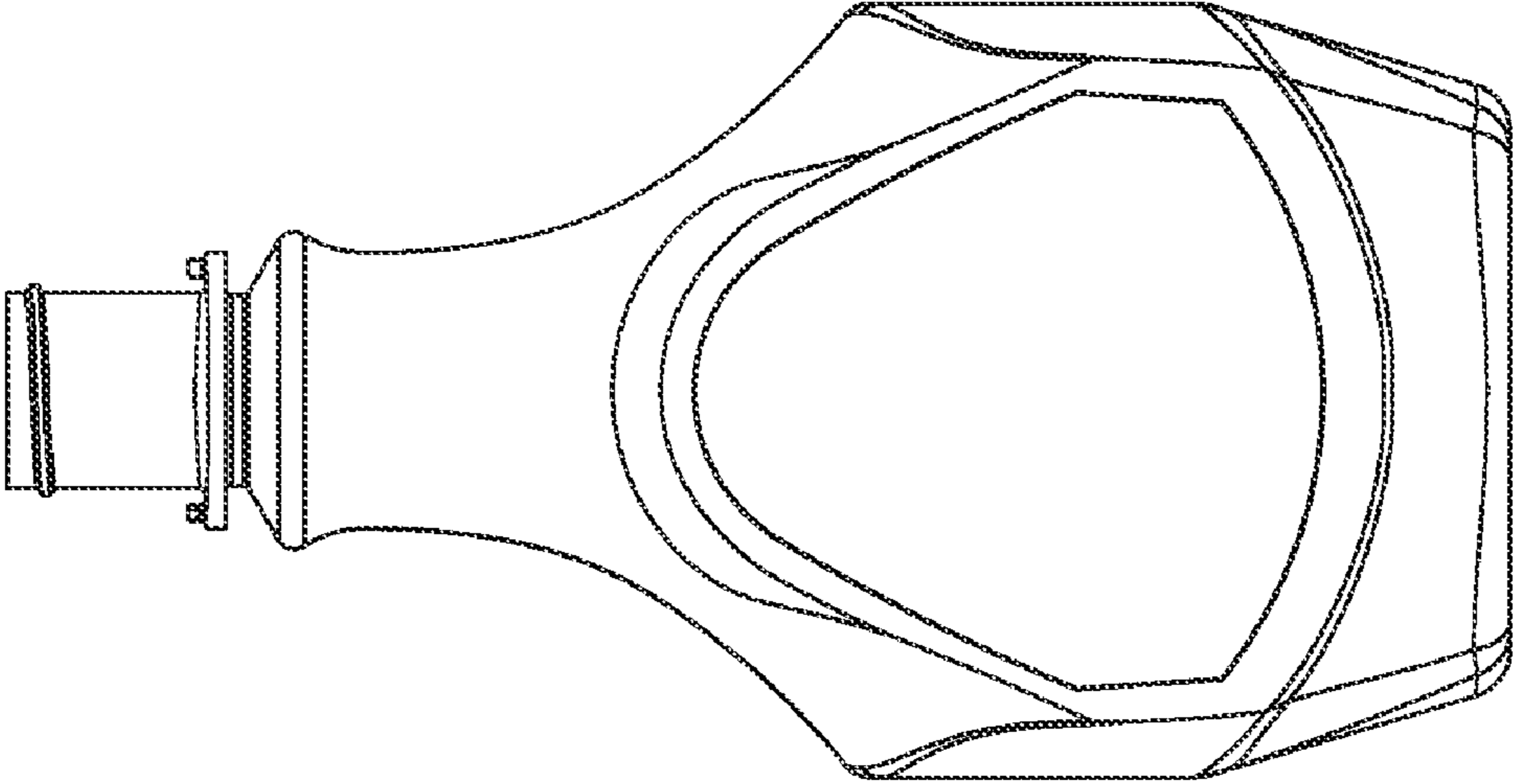


Fig. 2

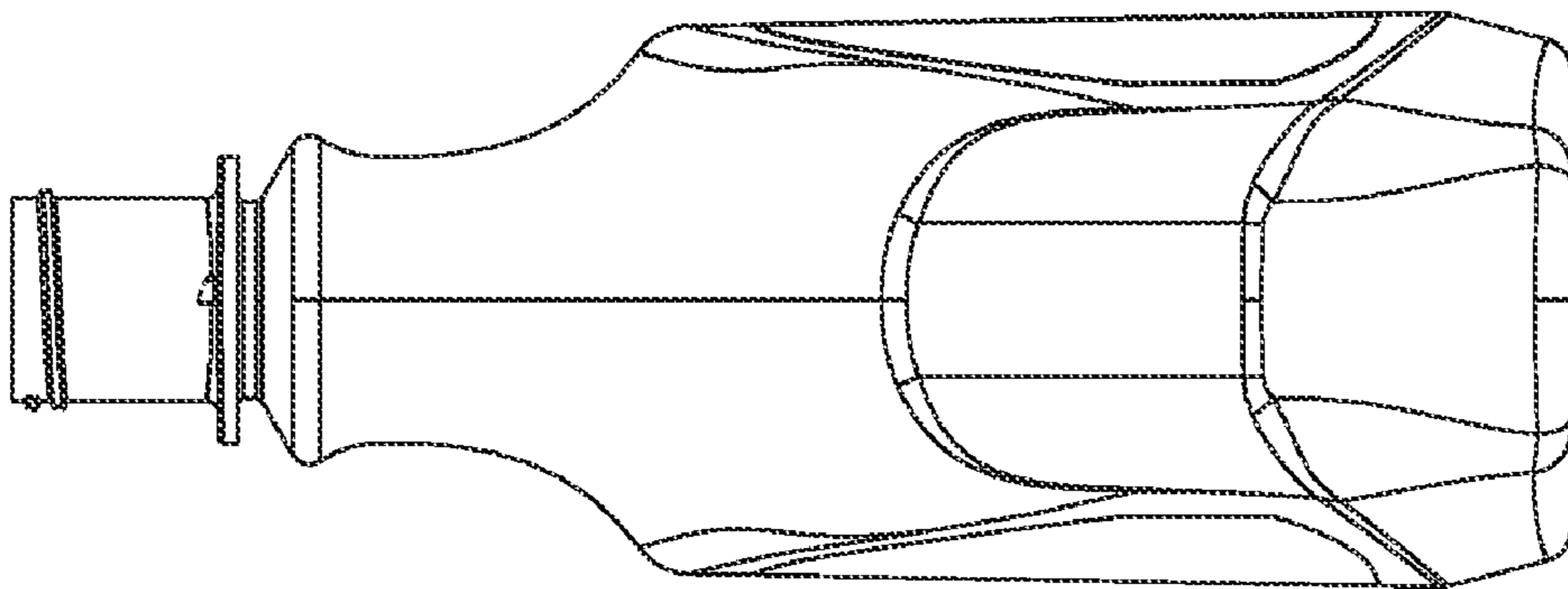


Fig. 4

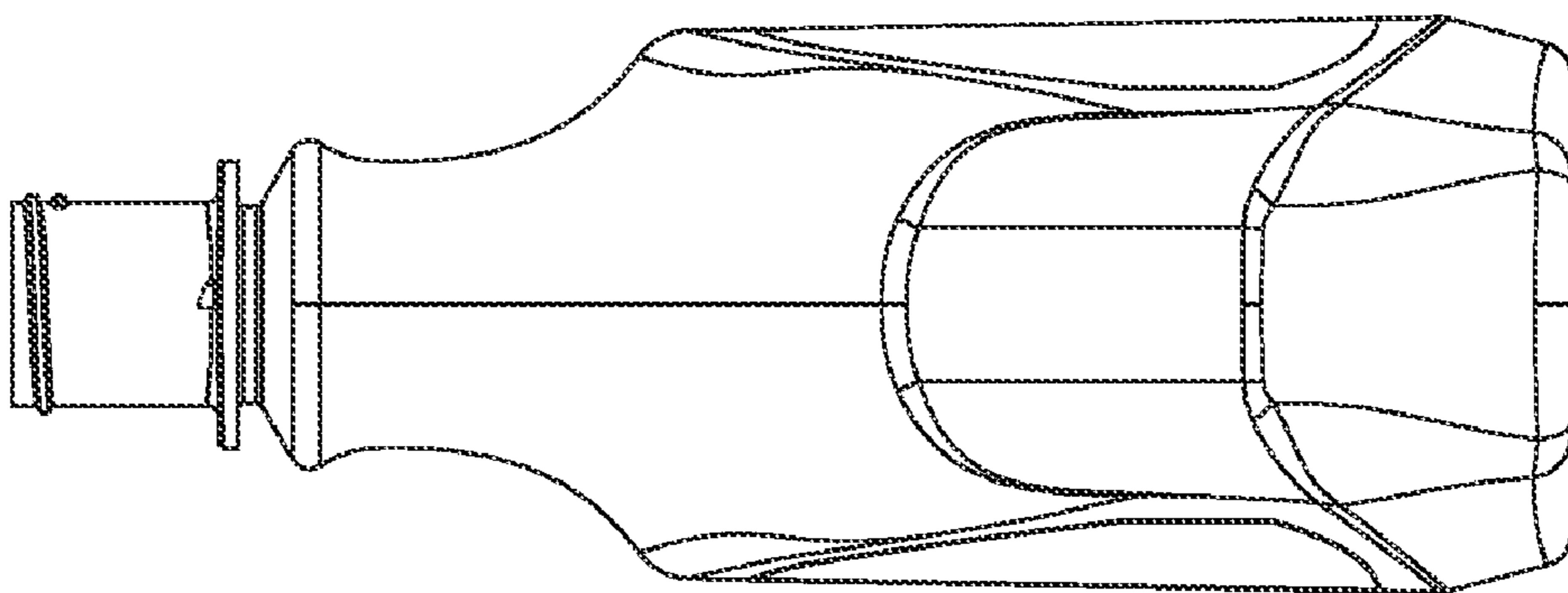


Fig. 5

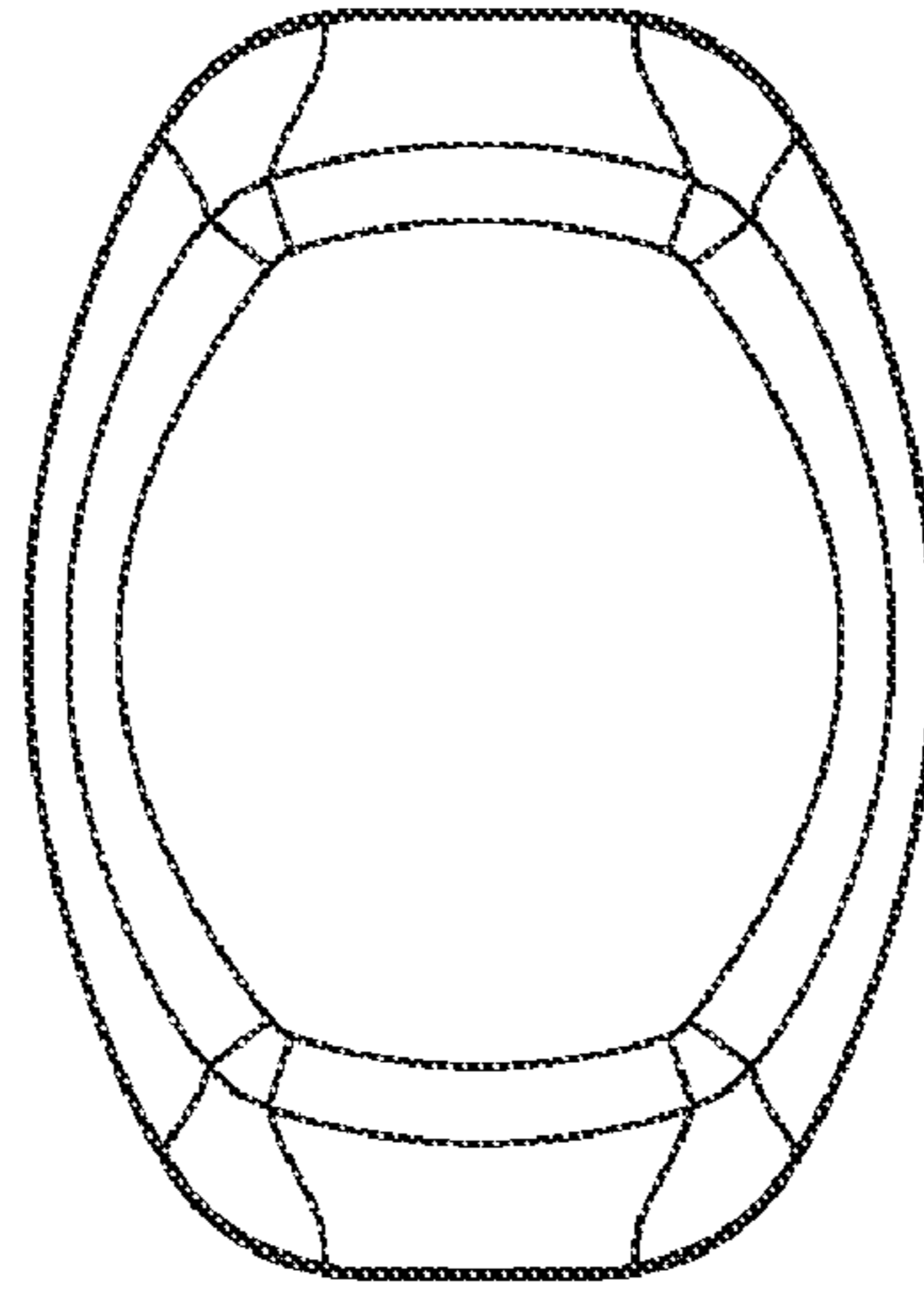


Fig. 7

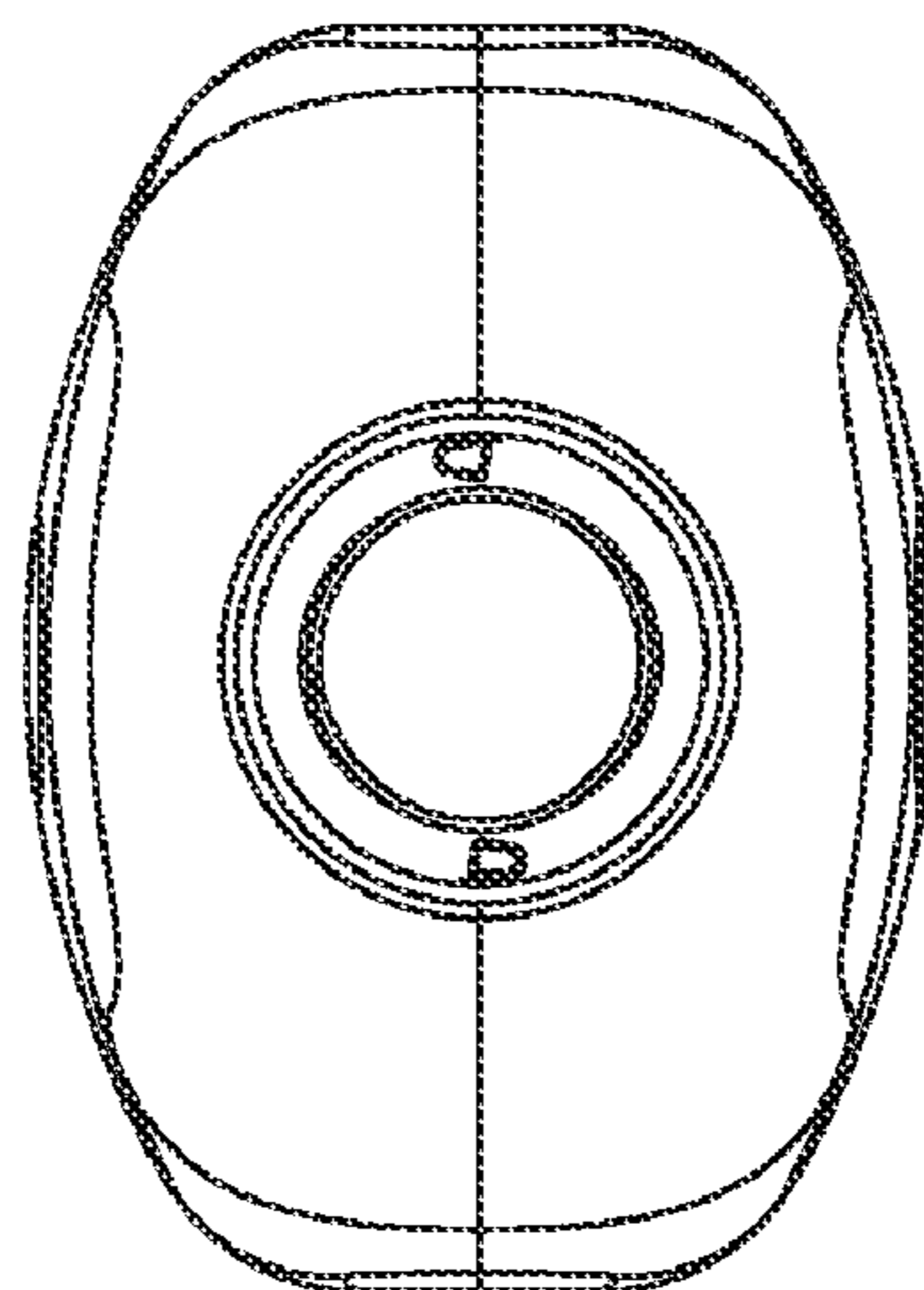


Fig. 6