



US00D609739S

(12) **United States Design Patent**
Nunn

(10) **Patent No.:** **US D609,739 S**
(45) **Date of Patent:** **** Feb. 9, 2010**

(54) **FRONT PANEL OF A MONEY STORE**

(75) Inventor: **Michael D. Nunn**, West Chester, PA
(US)

(73) Assignee: **MEI, Inc.**, West Chester, PA (US)

(**) Term: **14 Years**

(21) Appl. No.: **29/252,302**

(22) Filed: **Jan. 20, 2006**

(30) **Foreign Application Priority Data**

Jul. 26, 2005 (EM) 000379383-0001
Jul. 26, 2005 (EM) 000379383-0002

(51) **LOC (9) Cl.** **18-01**

(52) **U.S. Cl.** **D18/3.3; D18/3.1**

(58) **Field of Classification Search** D18/3.1,
D18/3.2, 3.3, 5, 12, 12.1, 46, 47, 50, 54, 56,
D18/57, 58, 59, 99; 209/534; 235/2, 3, 379;
382/135; 101/2, 3.1, 4, 5

See application file for complete search history.

(56) **References Cited**

U.S. PATENT DOCUMENTS

D115,074 S * 5/1939 Boetticher D18/50
2,868,115 A * 1/1959 Gollwitzer 101/2
3,254,596 A * 6/1966 Shoup et al. 101/102
D225,764 S * 1/1973 Dusckar D7/698
D233,694 S * 11/1974 Tamura D18/3.1
D258,036 S * 1/1981 Sabin D7/698
4,387,949 A * 6/1983 Haitmanek 439/95
D294,597 S * 3/1988 Lanagan D18/3.1
4,756,695 A * 7/1988 Lane et al. 439/76.1
D334,921 S * 4/1993 Basara et al. D14/447
D339,507 S * 9/1993 Ancona et al. D7/698
5,326,931 A * 7/1994 Cain et al. 174/503
D375,298 S * 11/1996 Calfee D14/451
6,216,406 B1 * 4/2001 Hauser 52/287.1
6,328,166 B1 * 12/2001 Sakai 209/534
D477,902 S * 7/2003 Bergeron et al. D99/28

D482,056 S * 11/2003 Bergeron et al. D18/3.3
6,674,000 B2 * 1/2004 Lambiaso 174/50
6,768,055 B1 * 7/2004 Gorin 174/50
D519,016 S * 4/2006 Nudo D8/71
D592,239 S * 5/2009 Gerlier D18/3.3
D593,148 S * 5/2009 Polidoro D18/12.1

* cited by examiner

Primary Examiner—Stella M Reid

Assistant Examiner—Elizabeth J Oswecki

(74) *Attorney, Agent, or Firm*—Fish & Richardson P.C.

(57) **CLAIM**

The ornamental design for a front panel of a money store, as shown and described.

DESCRIPTION

FIG. 1 is a top view of a first embodiment of a front panel of a money store showing my new design;

FIG. 2 is a bottom view thereof;

FIG. 3 is a front view thereof;

FIG. 4 is an isometric view thereof;

FIG. 5 is a left side view thereof;

FIG. 6 is a right side view thereof;

FIG. 7 is a back view thereof;

FIG. 8 is a top view of a second embodiment of a front panel of a money store showing my new design;

FIG. 9 is a bottom view thereof;

FIG. 10 is a front view thereof;

FIG. 11 is an isometric view thereof;

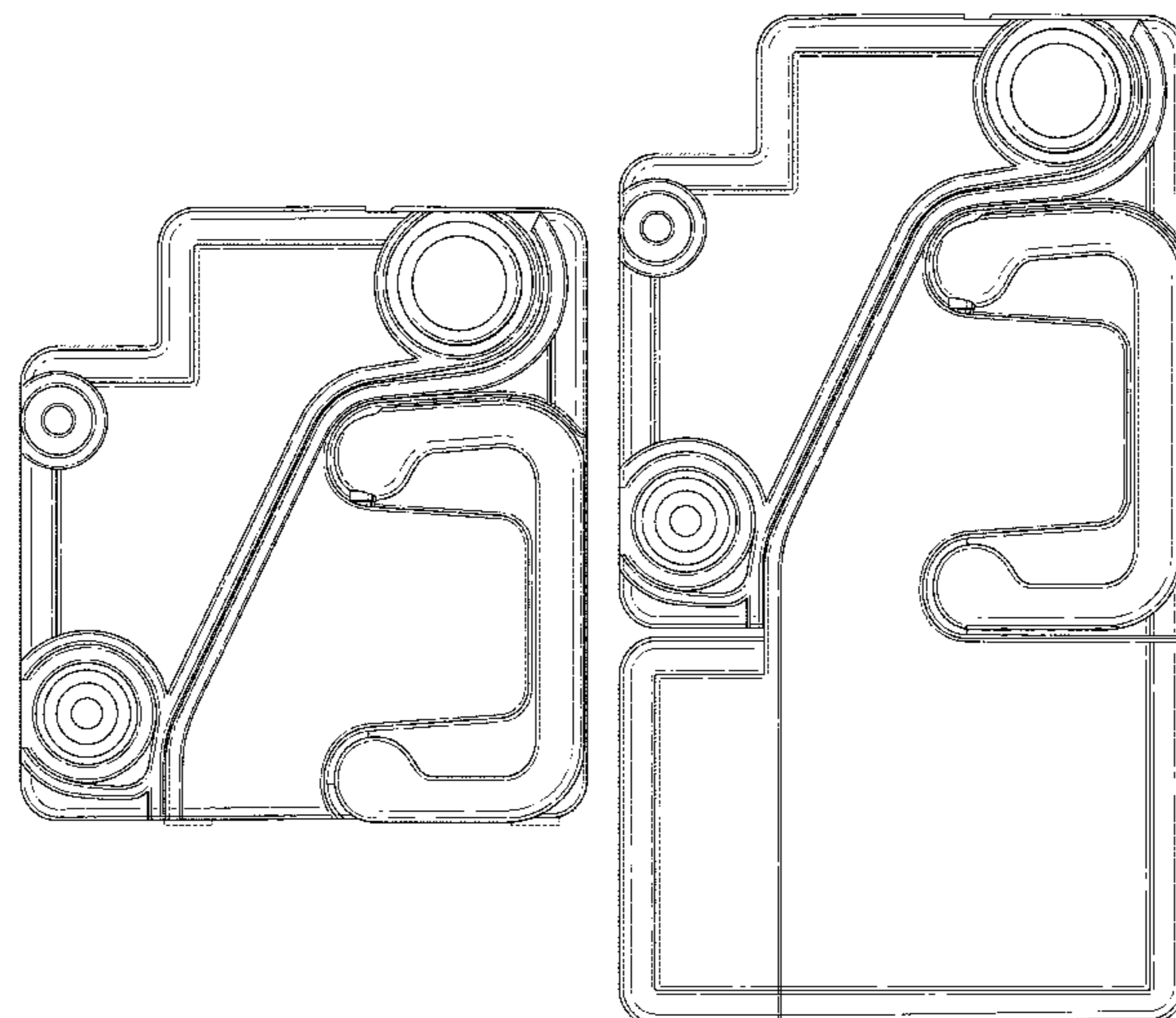
FIG. 12 is a left side view thereof;

FIG. 13 is a right side view thereof; and,

FIG. 14 is a back view thereof.

Portions of the illustrated design shown in broken lines form no part of the claimed design.

1 Claim, 14 Drawing Sheets



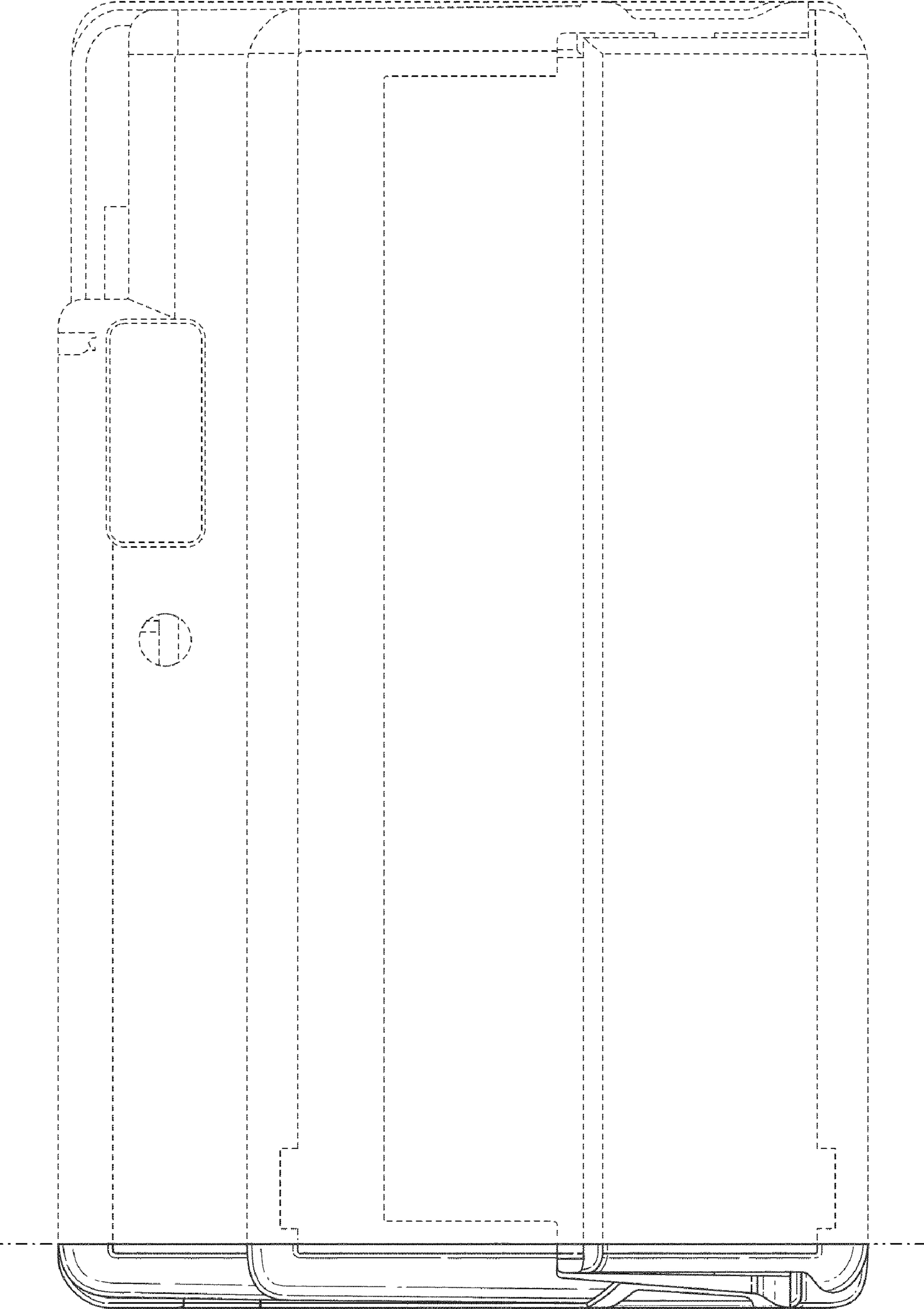


FIG. 1

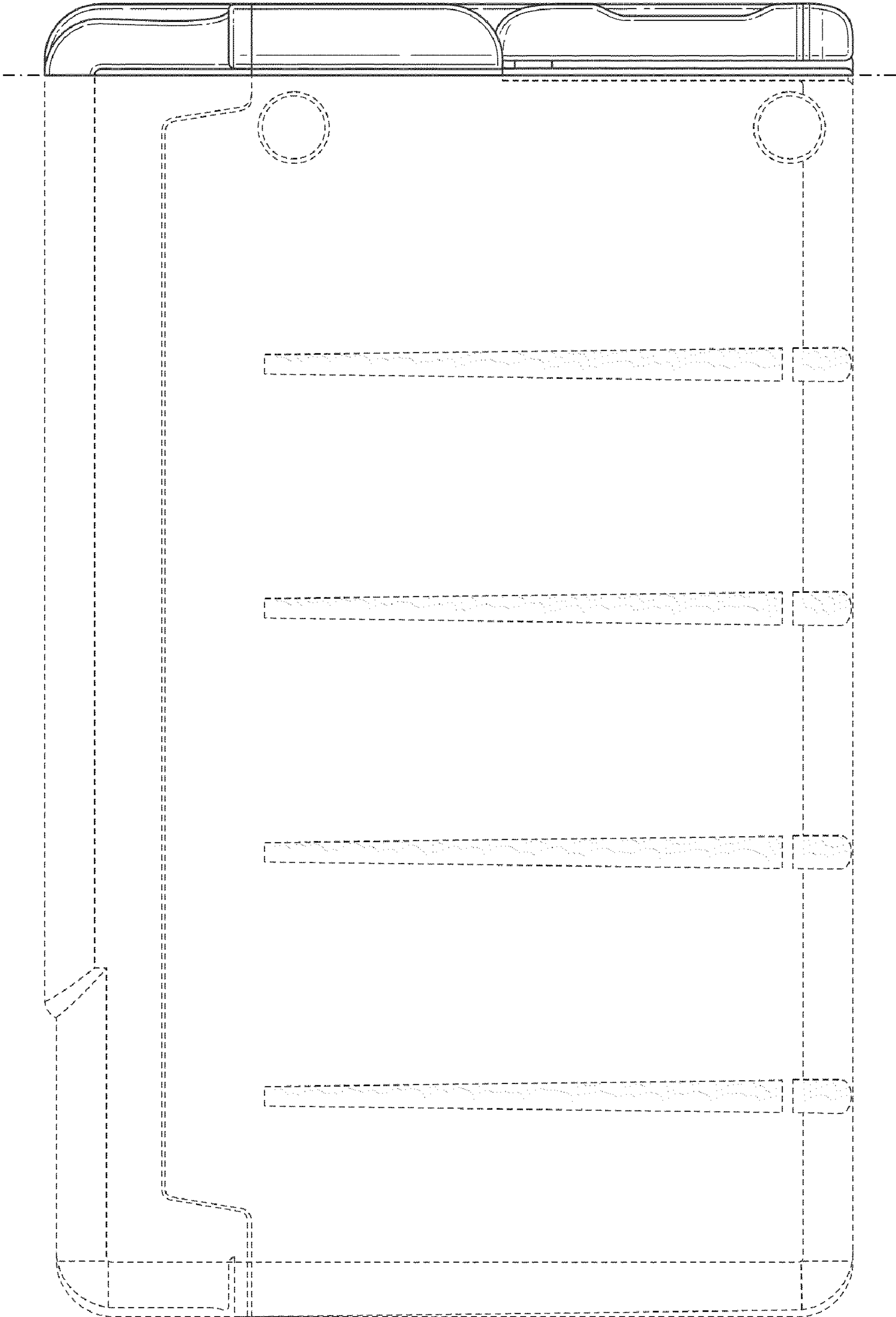


FIG. 2

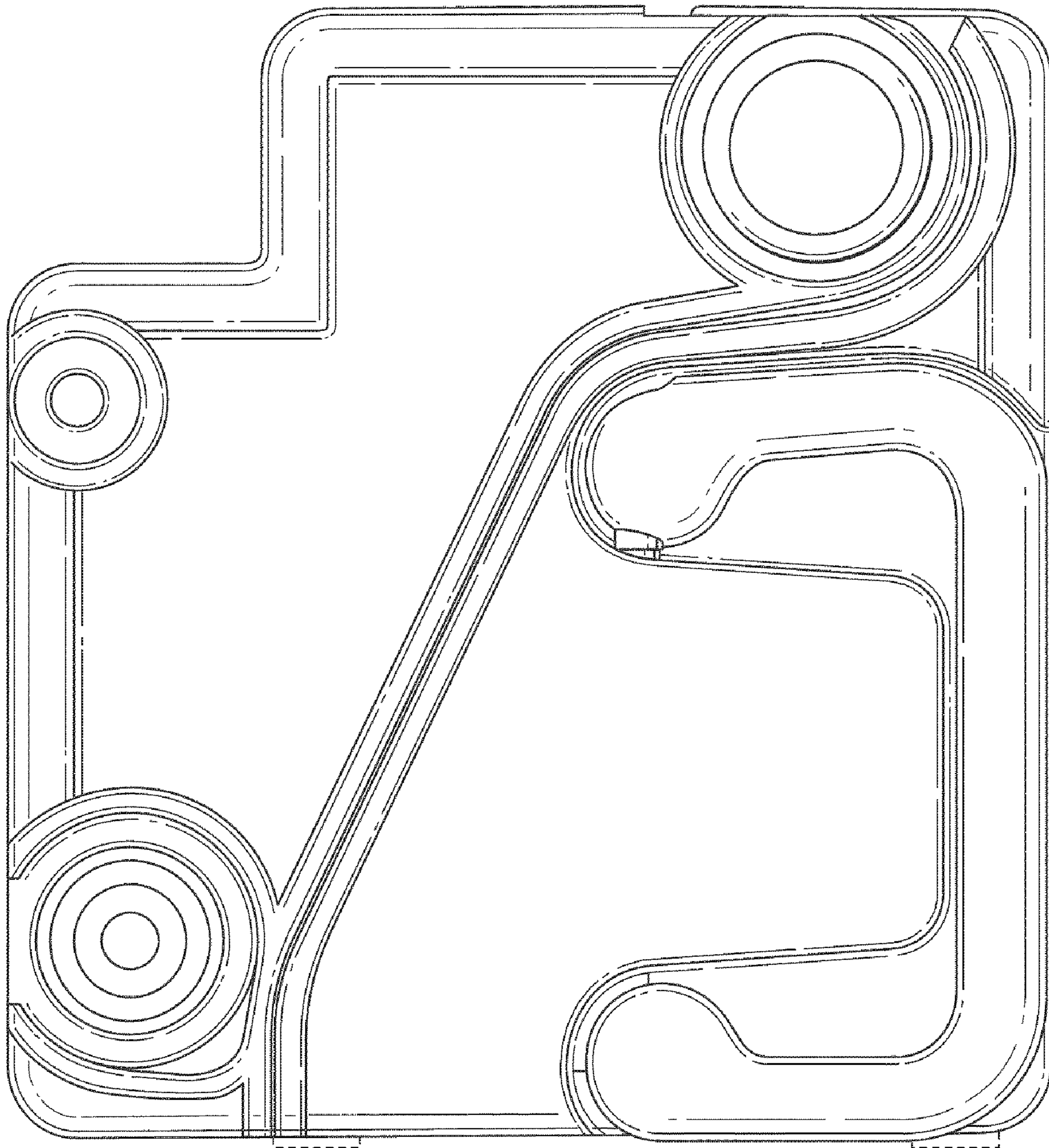


FIG. 3

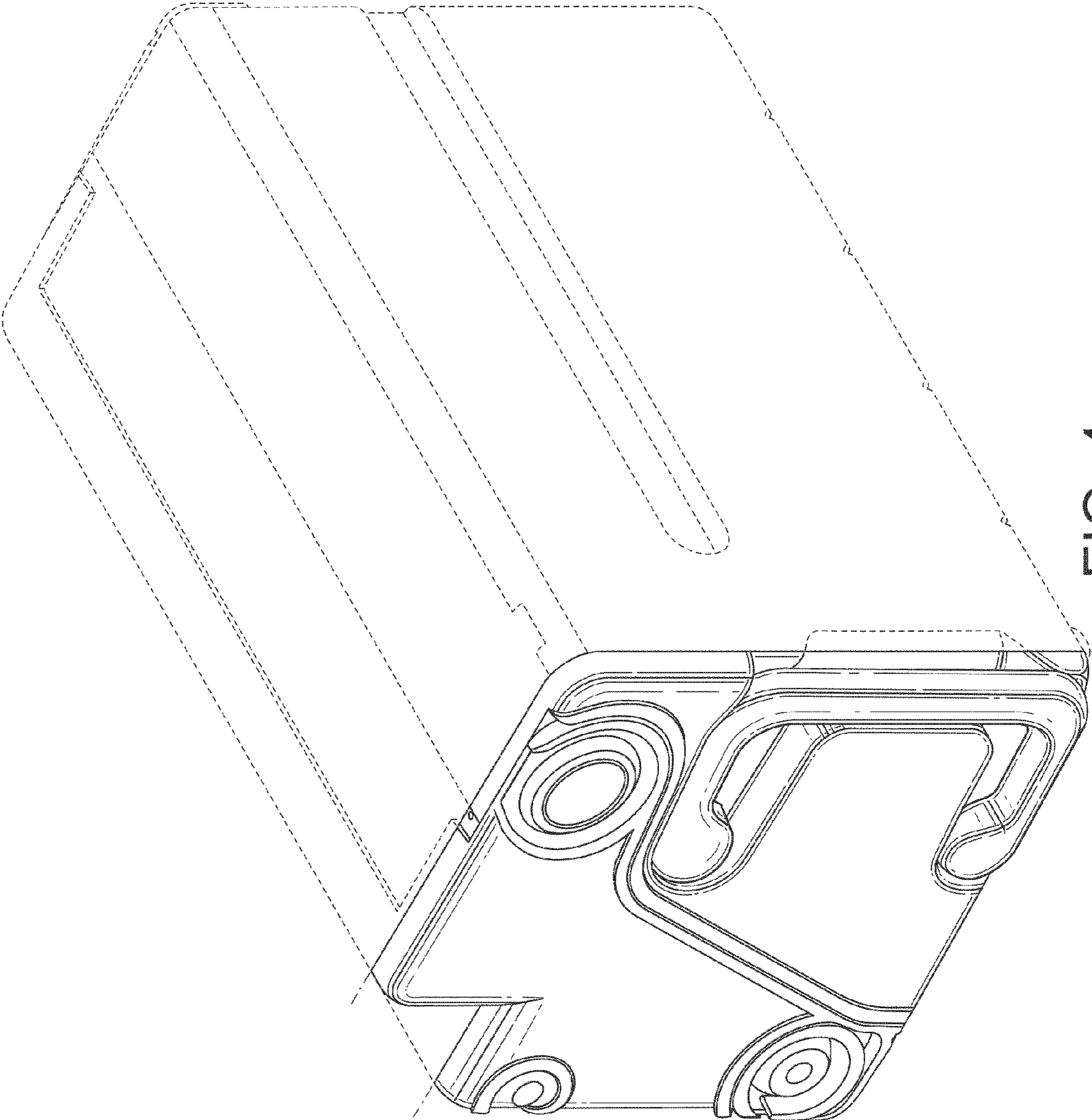


FIG. 4

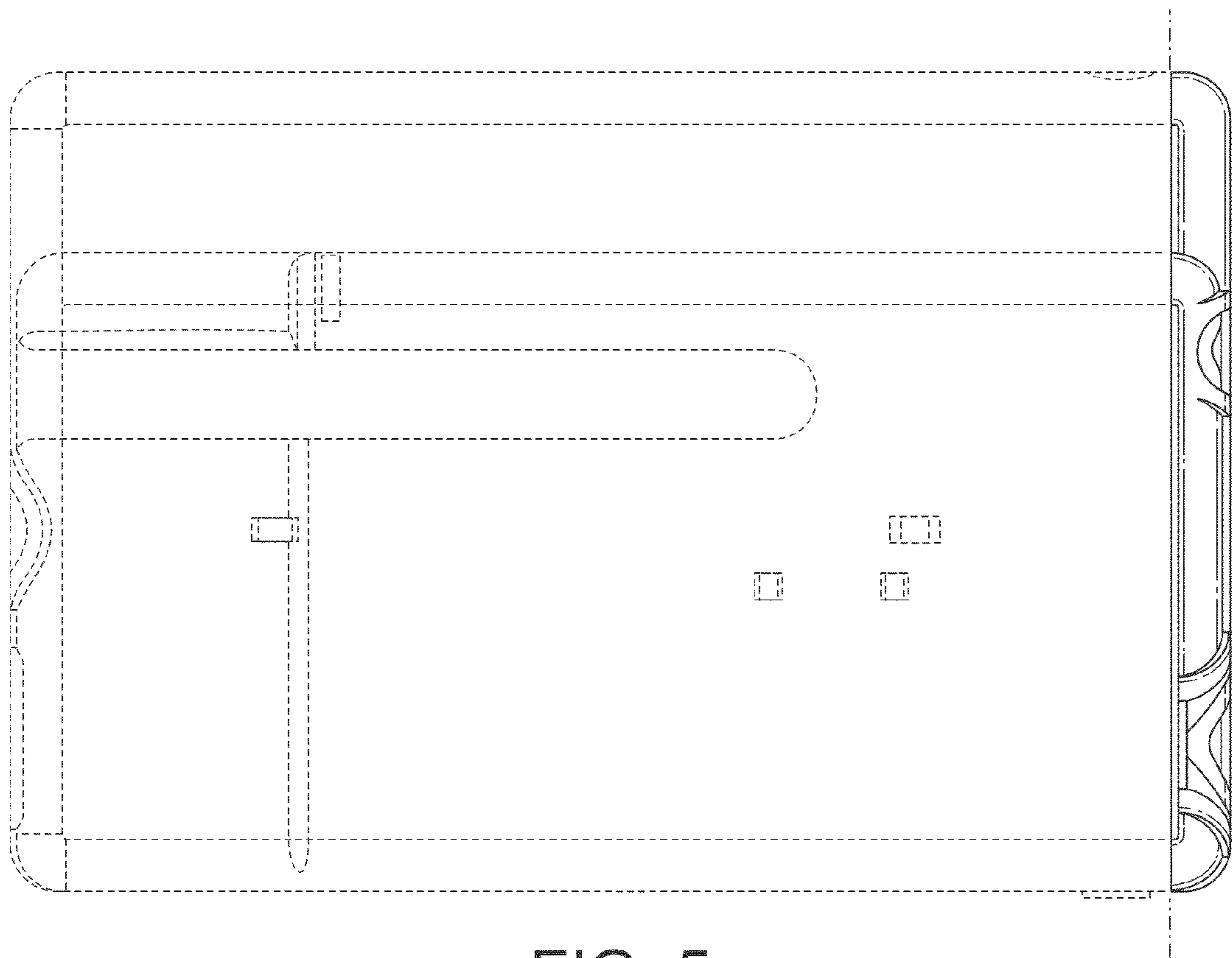


FIG. 5

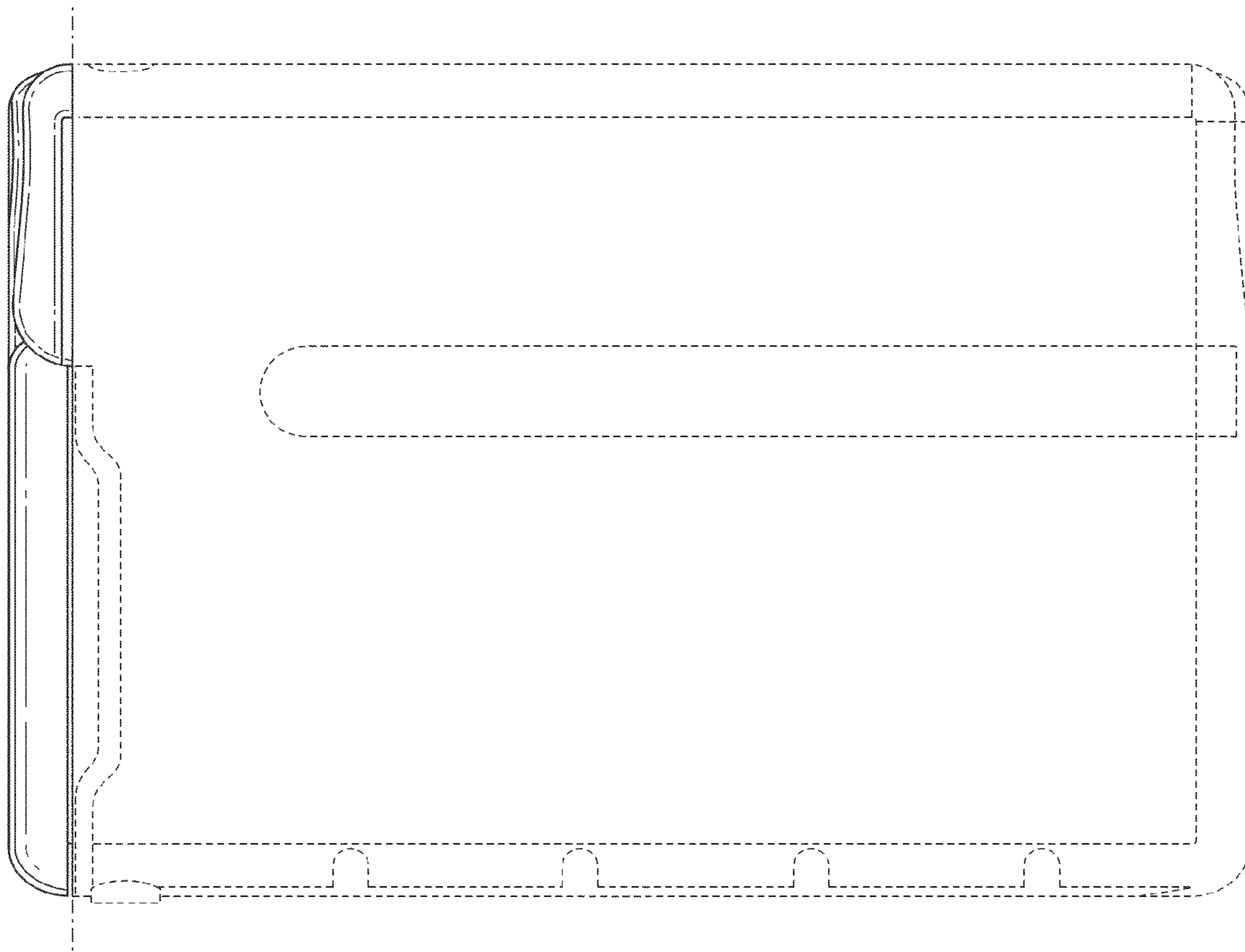


FIG. 6

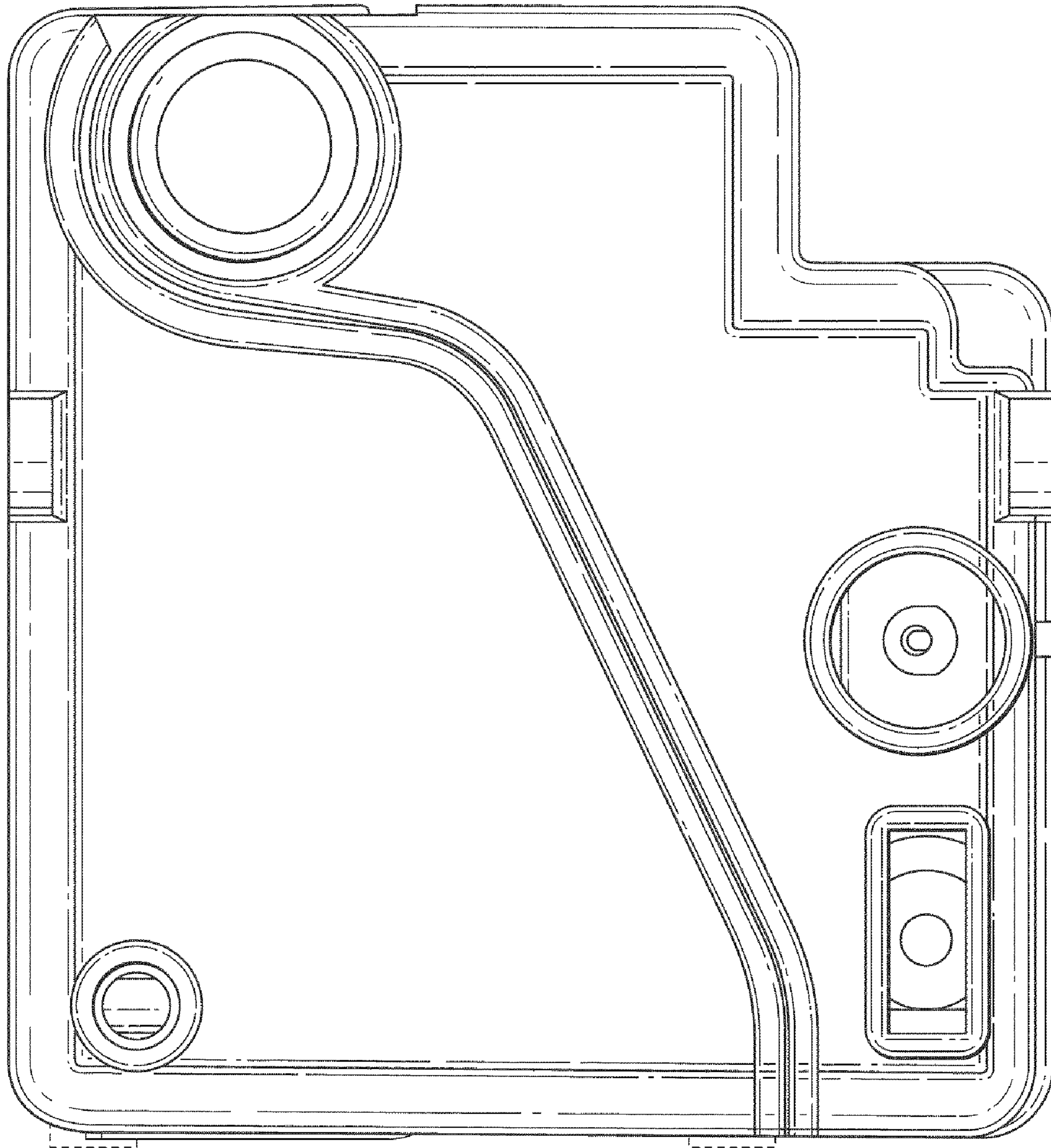


FIG. 7

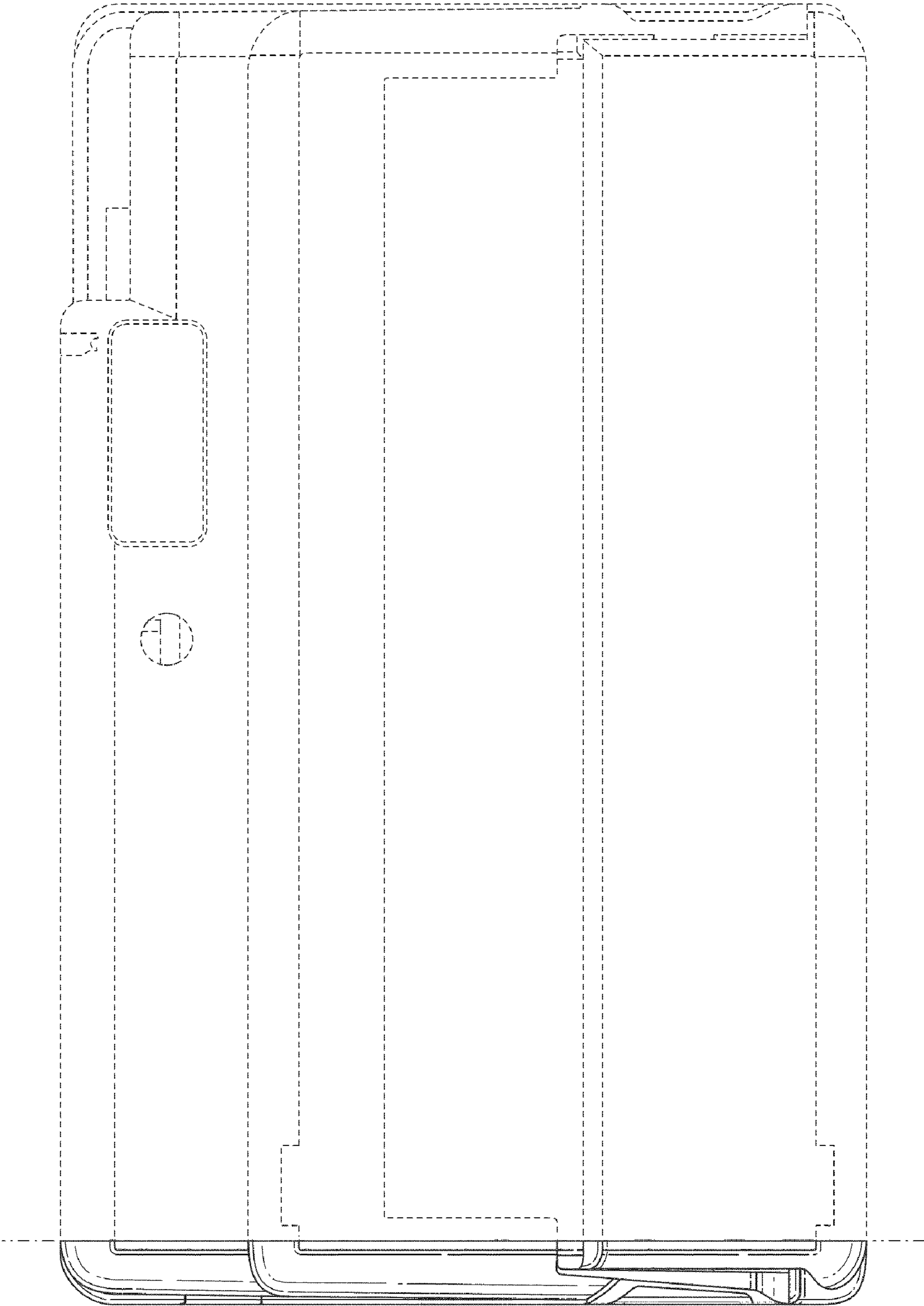


FIG. 8

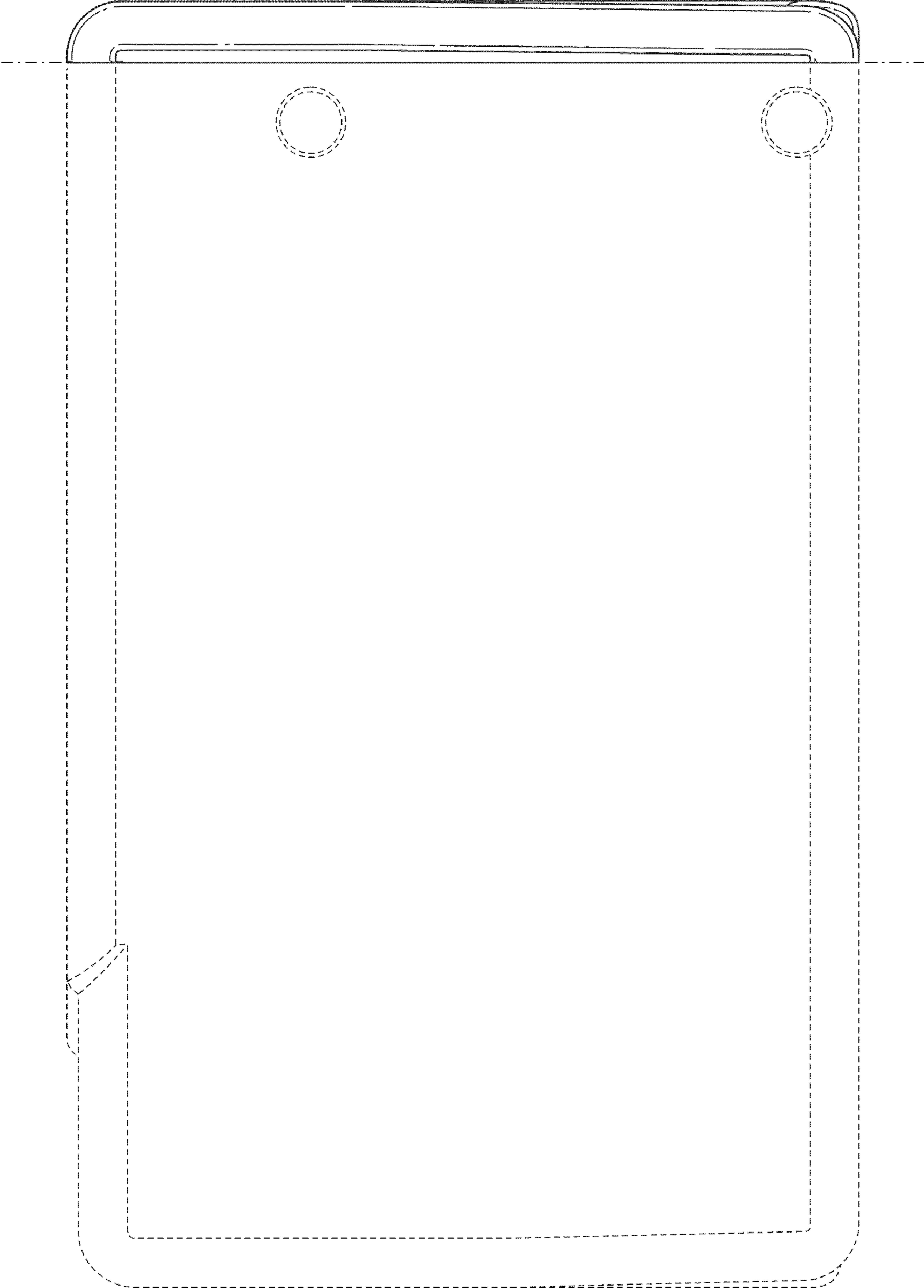


FIG. 9

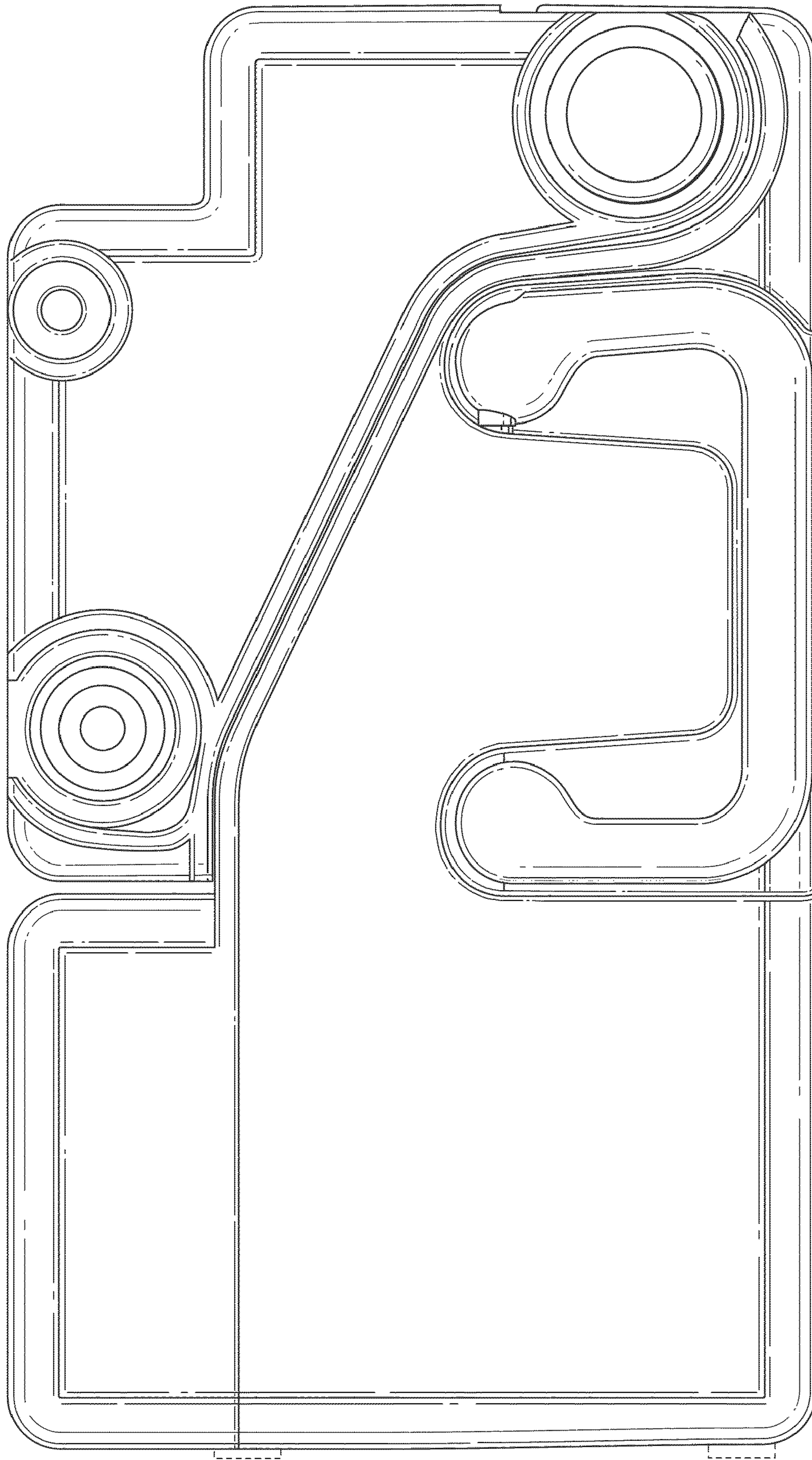


FIG. 10

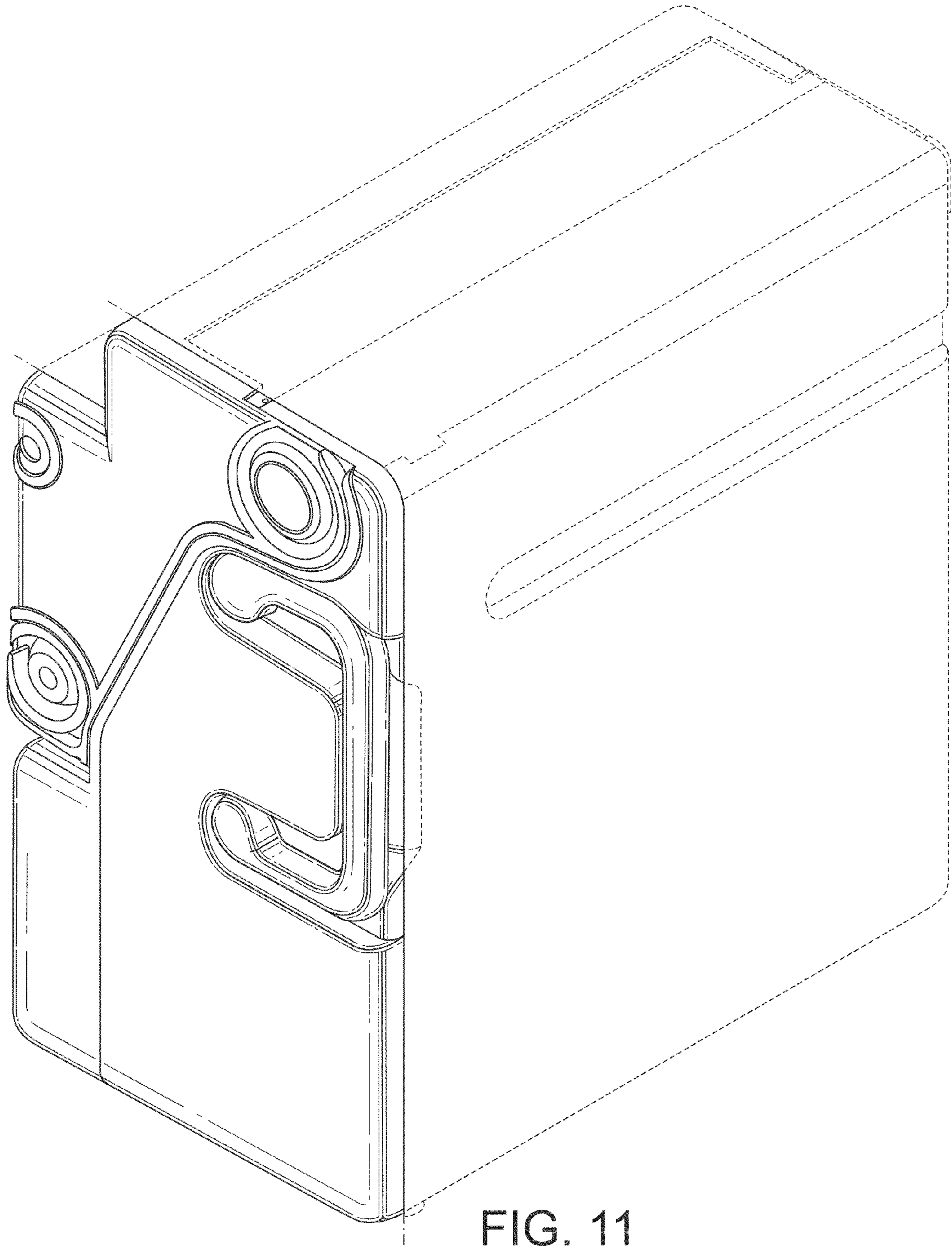


FIG. 11

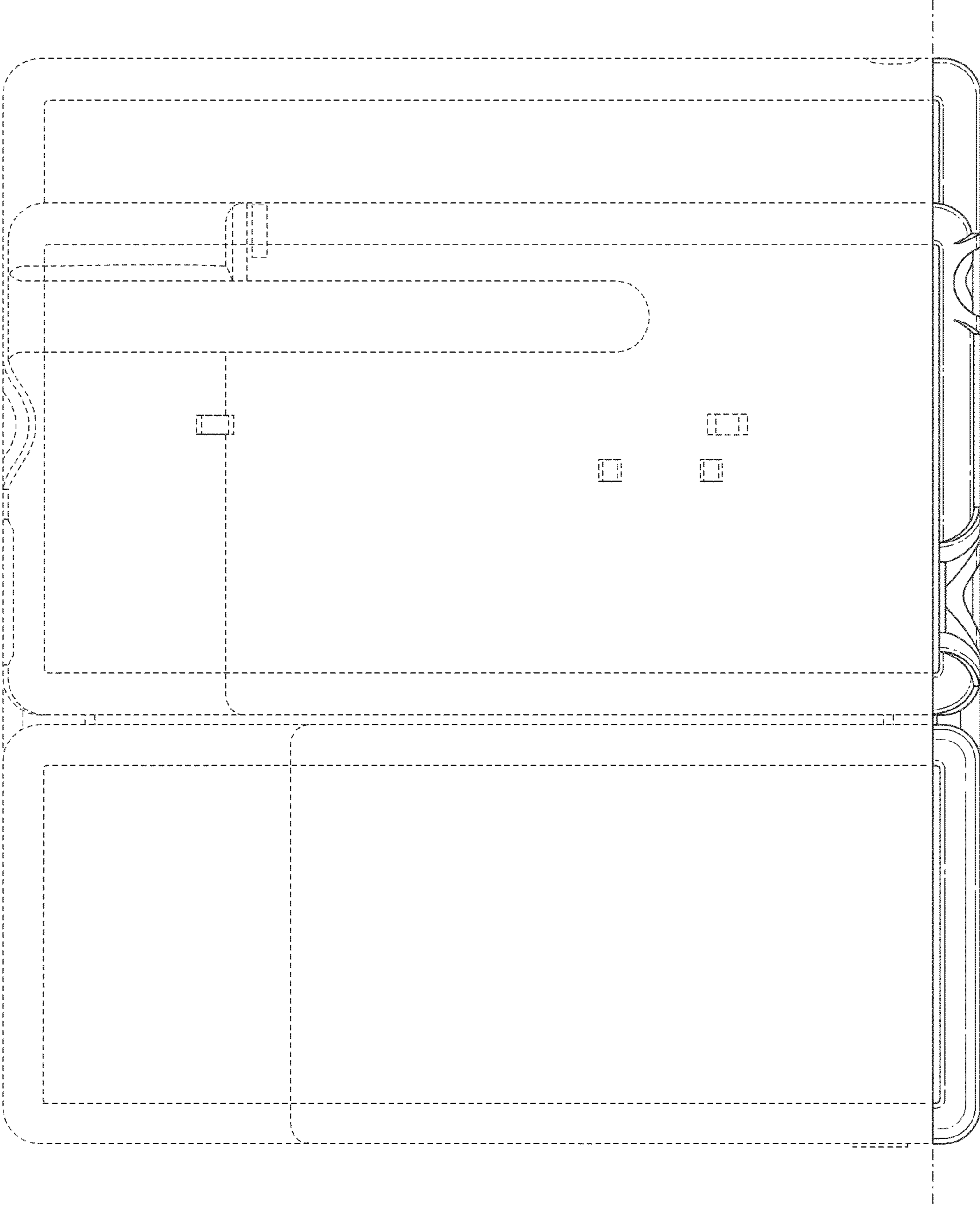


FIG. 12

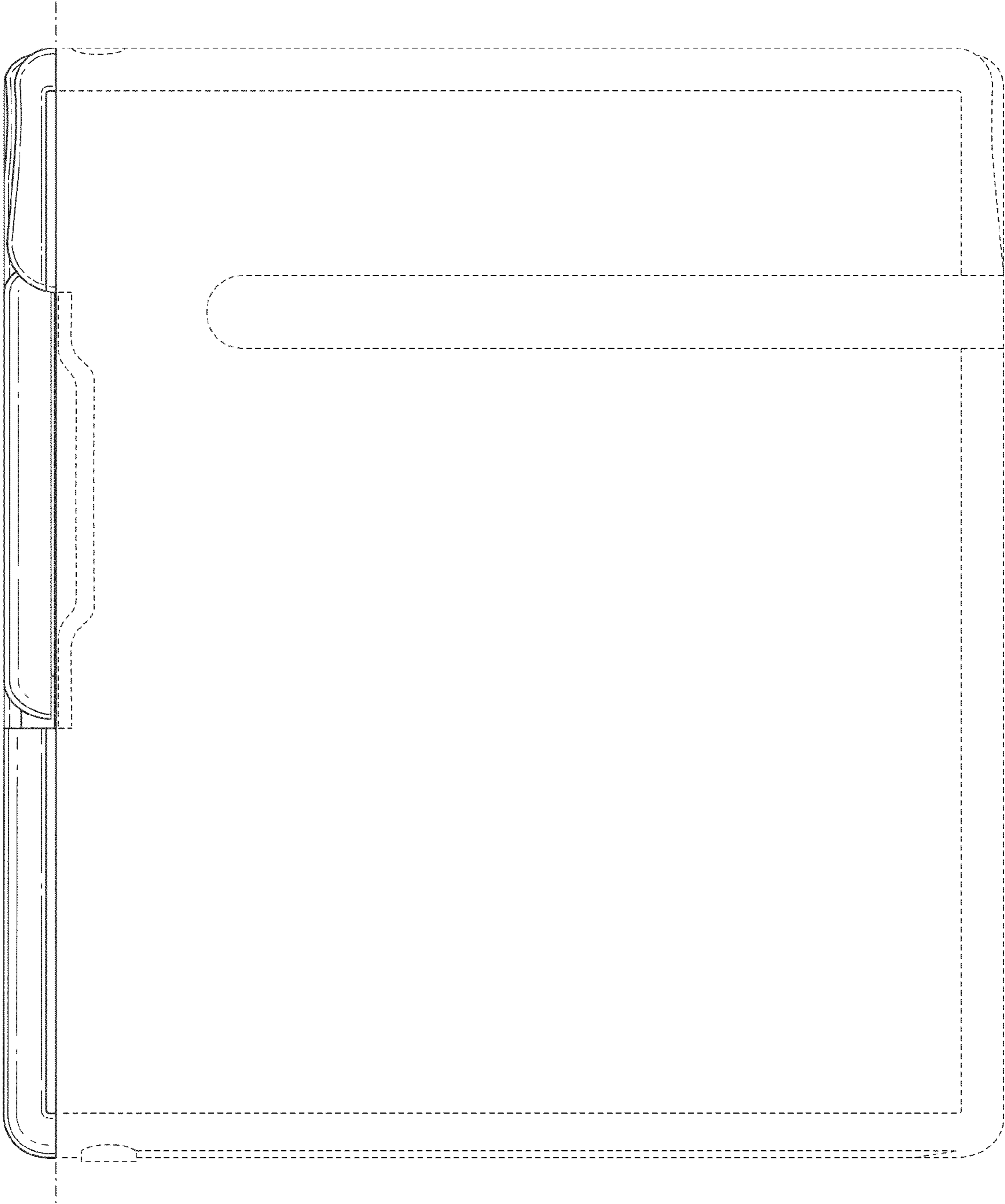


FIG. 13

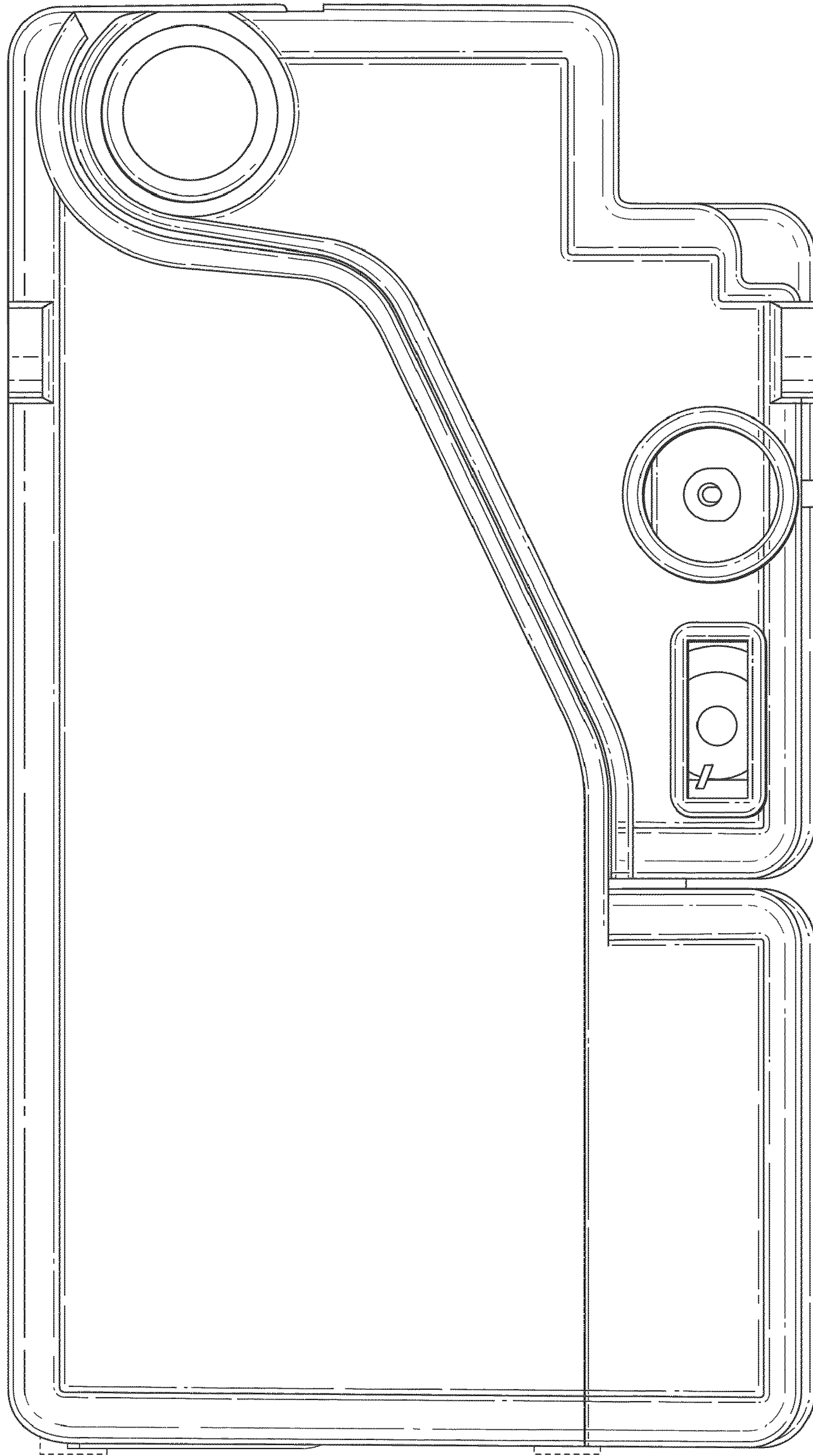


FIG. 14