



US00D609738S

(12) **United States Design Patent**
Goble

(10) **Patent No.:** **US D609,738 S**

(45) **Date of Patent:** **** Feb. 9, 2010**

(54) **PLECTRUM**

(76) **Inventor:** **David D. Goble**, 617 Prospect Ave.
North, Kent, WA (US) 98030

(**) **Term:** **14 Years**

(21) **Appl. No.:** **29/340,766**

(22) **Filed:** **Jul. 24, 2009**

(51) **LOC (9) Cl.** **17-03**

(52) **U.S. Cl.** **D17/20**

(58) **Field of Classification Search** D17/20,
D17/99; 84/258, 320-322, 453

See application file for complete search history.

(56) **References Cited**

U.S. PATENT DOCUMENTS

1,263,740	A *	4/1918	Burdwise	84/322
2,170,179	A *	8/1939	Wolcott	84/322
3,595,118	A	7/1971	Paxton		
4,228,719	A	10/1980	Keene		
4,625,615	A	12/1986	Lukehart		
D290,467	S	6/1987	Hyduck		
D292,413	S	10/1987	Slusser		
D302,562	S *	8/1989	Pearse	D17/20
D305,311	S *	1/1990	Roberts	D11/48
D330,905	S	11/1992	Thomas		
5,307,722	A	5/1994	LaRosa		
D358,833	S	5/1995	Ridley		
6,040,512	A *	3/2000	Polley	84/322
D441,005	S	4/2001	Parham, Jr.		
6,245,977	B1	6/2001	Byrns		

6,256,794	B1 *	7/2001	Erickson	2/209.11
D461,838	S	8/2002	Freeman		
D490,459	S	5/2004	Sarmas		
6,835,881	B1 *	12/2004	Jackson	84/322
D519,149	S	4/2006	Ball		
D561,235	S *	2/2008	Larsen	D17/20
D561,237	S	2/2008	Morris		
D567,845	S	4/2008	Judd		
2009/0249938	A1 *	10/2009	Goins et al.	84/320

* cited by examiner

Primary Examiner—Ian Simmons

Assistant Examiner—R. Johnson

(74) *Attorney, Agent, or Firm*—QuickPatents, Inc.; Kevin Prince

(57) **CLAIM**

I claim the ornamental design for a plectrum, as shown and described.

DESCRIPTION

FIG. 1 is a perspective view of a plectrum, showing my new design;

FIG. 2 is a rear elevational view thereof;

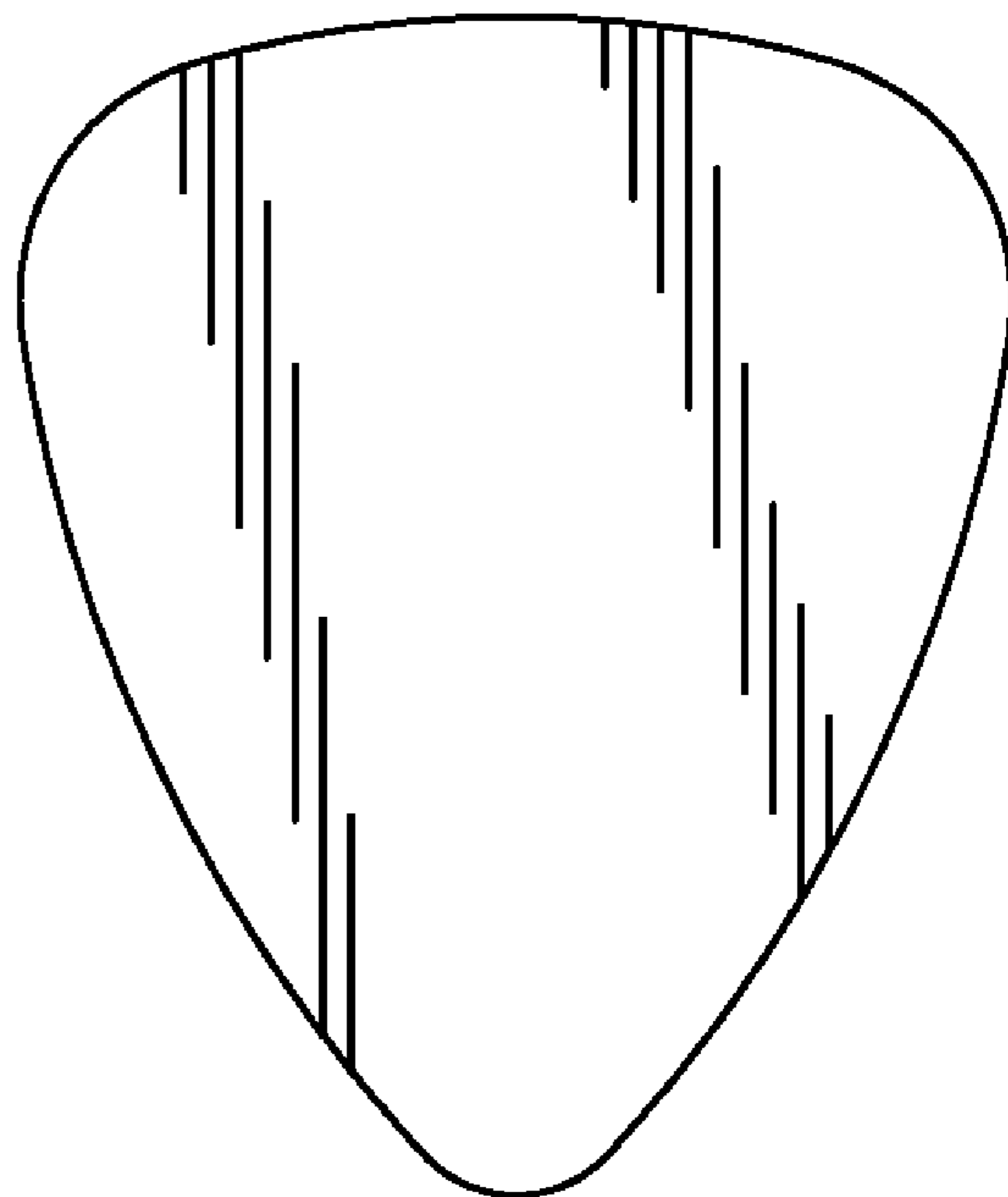
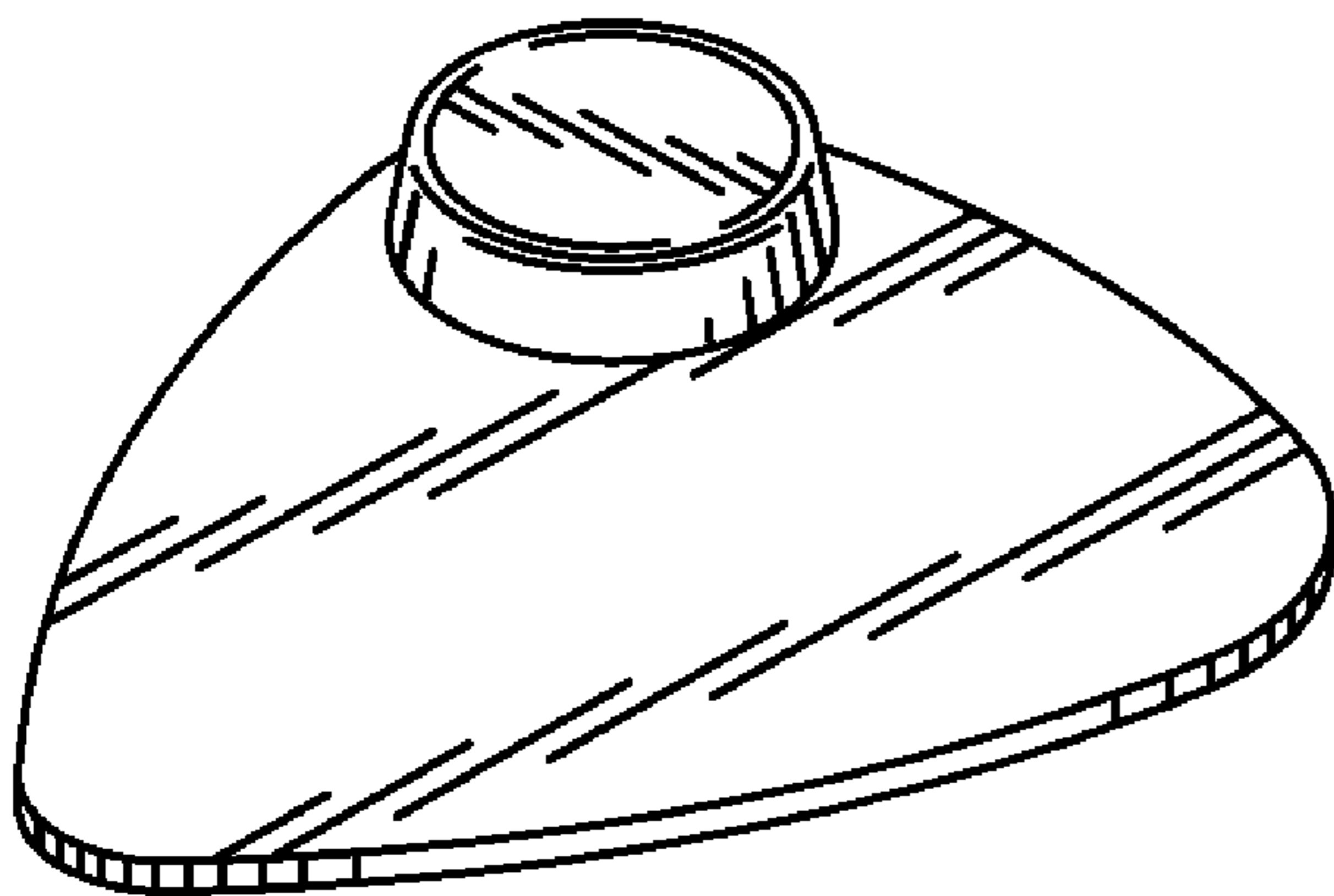
FIG. 3 is a front elevational view thereof;

FIG. 4 is a left-side elevational view thereof, the right-side elevational view being a mirror image thereof;

FIG. 5 is a top plan view thereof; and,

FIG. 6 is a bottom plan view thereof.

1 Claim, 1 Drawing Sheet



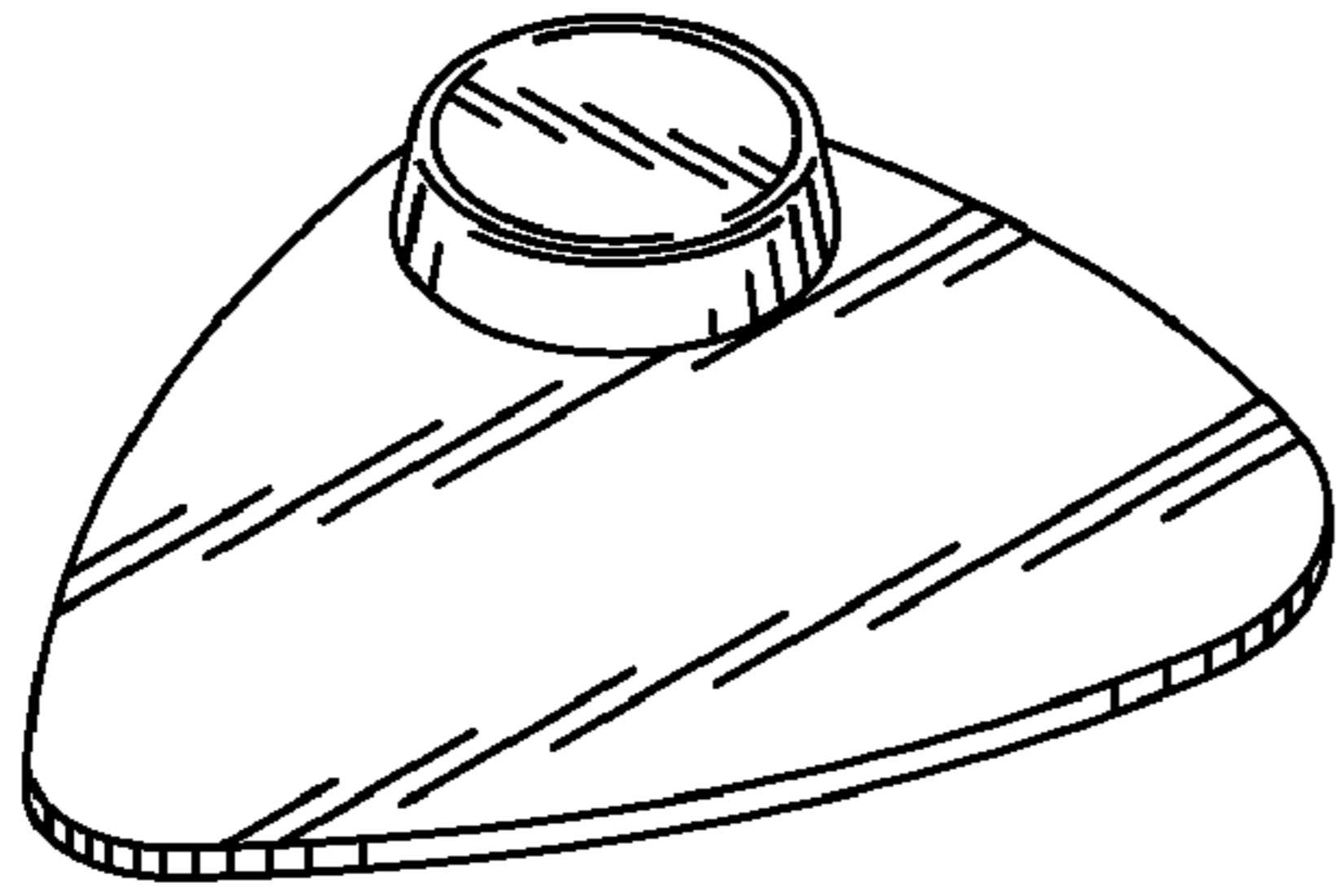


FIG. 1

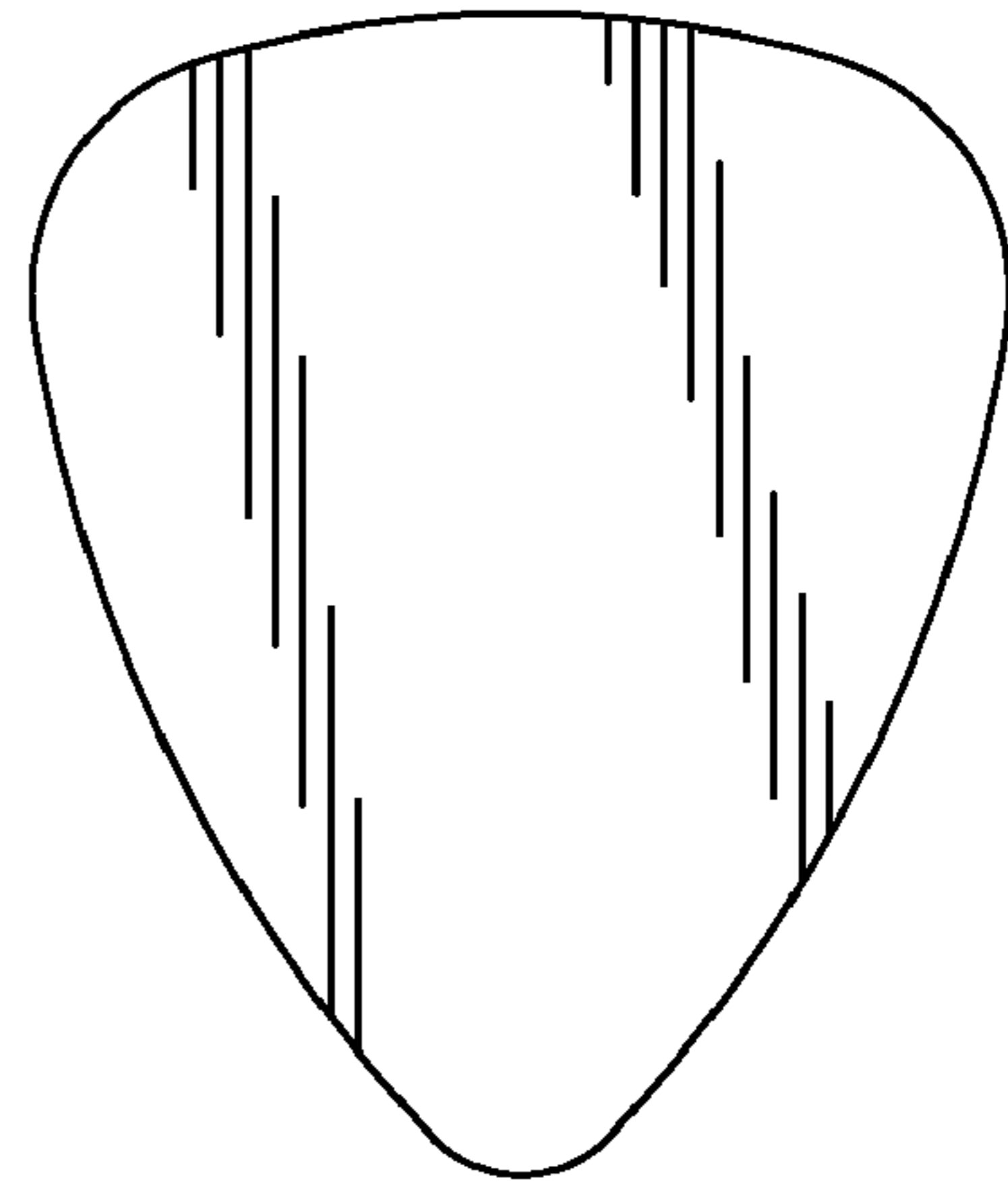


FIG. 2

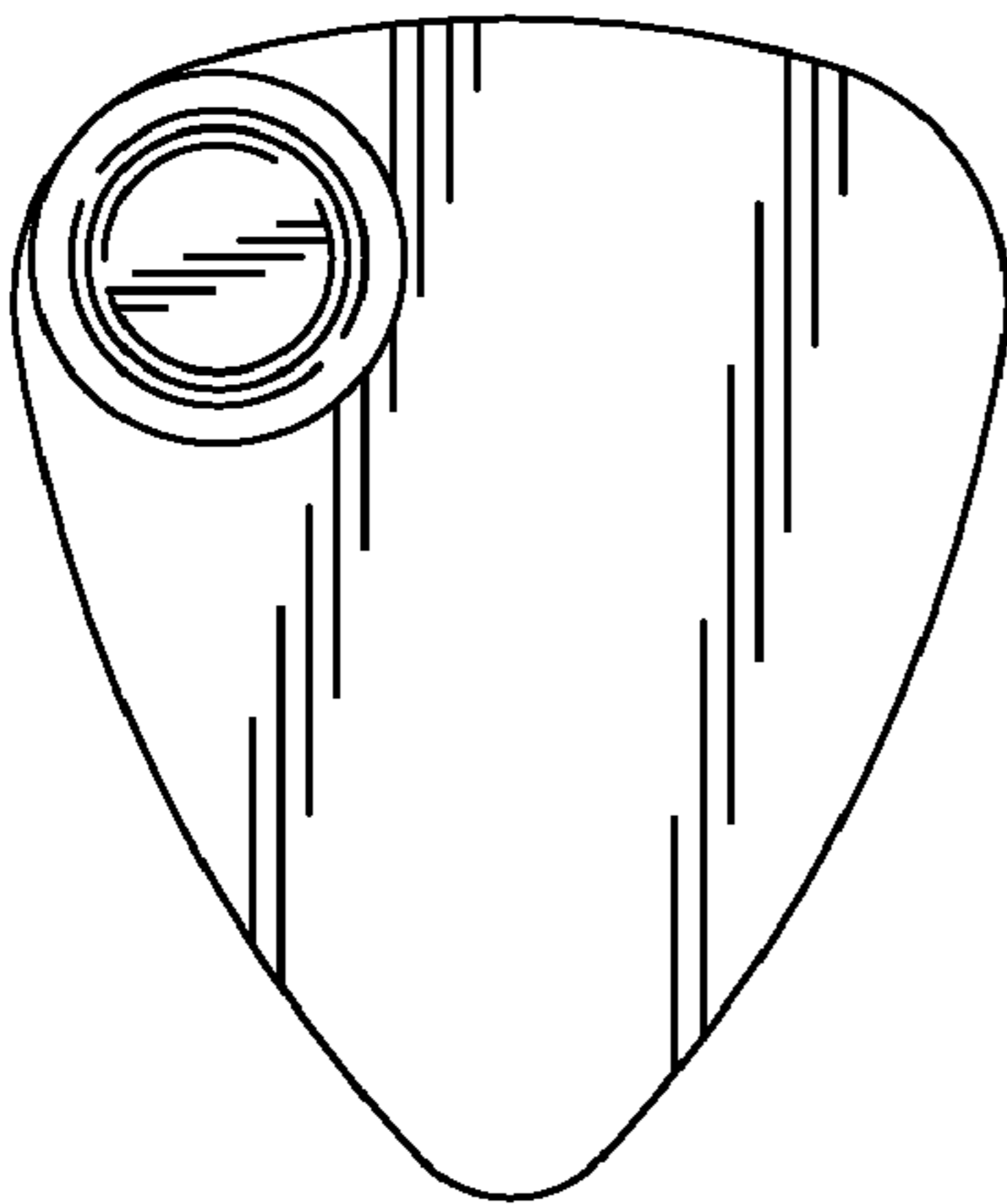


FIG. 3

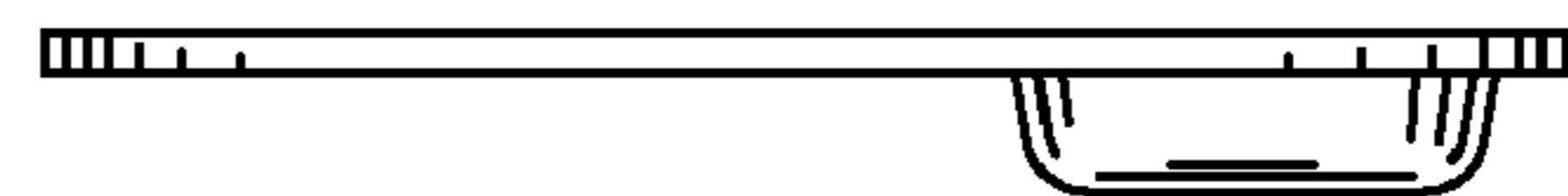


FIG. 4



FIG. 5



FIG. 6