



US00D609734S

(12) **United States Design Patent**
Foddis

(10) **Patent No.:** **US D609,734 S**

(45) **Date of Patent:** **** Feb. 9, 2010**

(54) **CAMERA MOUNT**

(76) **Inventor:** **Ulisse Foddis**, Illertalstr. 1, D-89281
Altenstadt (DE)

(**) **Term:** **14 Years**

(21) **Appl. No.:** **29/324,665**

(22) **Filed:** **Sep. 17, 2008**

(30) **Foreign Application Priority Data**

Mar. 17, 2008 (EM) 000897905-0001

(51) **LOC (9) Cl.** **16-05**

(52) **U.S. Cl.** **D16/242**

(58) **Field of Classification Search** D16/237,
D16/239, 242, 244-245, 250; 248/176.1,
248/177.1, 187.1, 917-918, 121, 535, 243;
396/419, 425, 428, 421, 535, 422
See application file for complete search history.

(56) **References Cited**

U.S. PATENT DOCUMENTS

- 3,613,538 A * 10/1971 Horberg, Jr. 396/427
- D226,135 S * 1/1973 Horn et al. D16/242
- 4,673,267 A * 6/1987 Erxleben 352/242
- D387,791 S * 12/1997 Wen D16/242
- 6,073,902 A * 6/2000 Hiles 248/346.2
- 6,793,415 B2 * 9/2004 Arbuckle 396/427
- D570,396 S * 6/2008 Foddis D16/242

- 7,390,130 B2 * 6/2008 Soulvie 396/419
- 7,413,151 B2 * 8/2008 Wu 248/166
- 7,431,253 B2 * 10/2008 Yeh 248/286.1
- 7,470,071 B2 * 12/2008 Ibaraki et al. 396/348
- 7,473,040 B2 * 1/2009 Kenoyer et al. 396/428

* cited by examiner

Primary Examiner—Ian Simmons

Assistant Examiner—Wan Laymon

(74) *Attorney, Agent, or Firm*—Laurence A. Greenberg;
Werner H. Stemer; Ralph E. Locher

(57) **CLAIM**

The ornamental design for a camera mount, as shown and described.

DESCRIPTION

FIG. 1 is a front elevation view of the camera mount showing my new design;

FIG. 2 is a rear elevation view thereof;

FIG. 3 is a left side elevation view thereof;

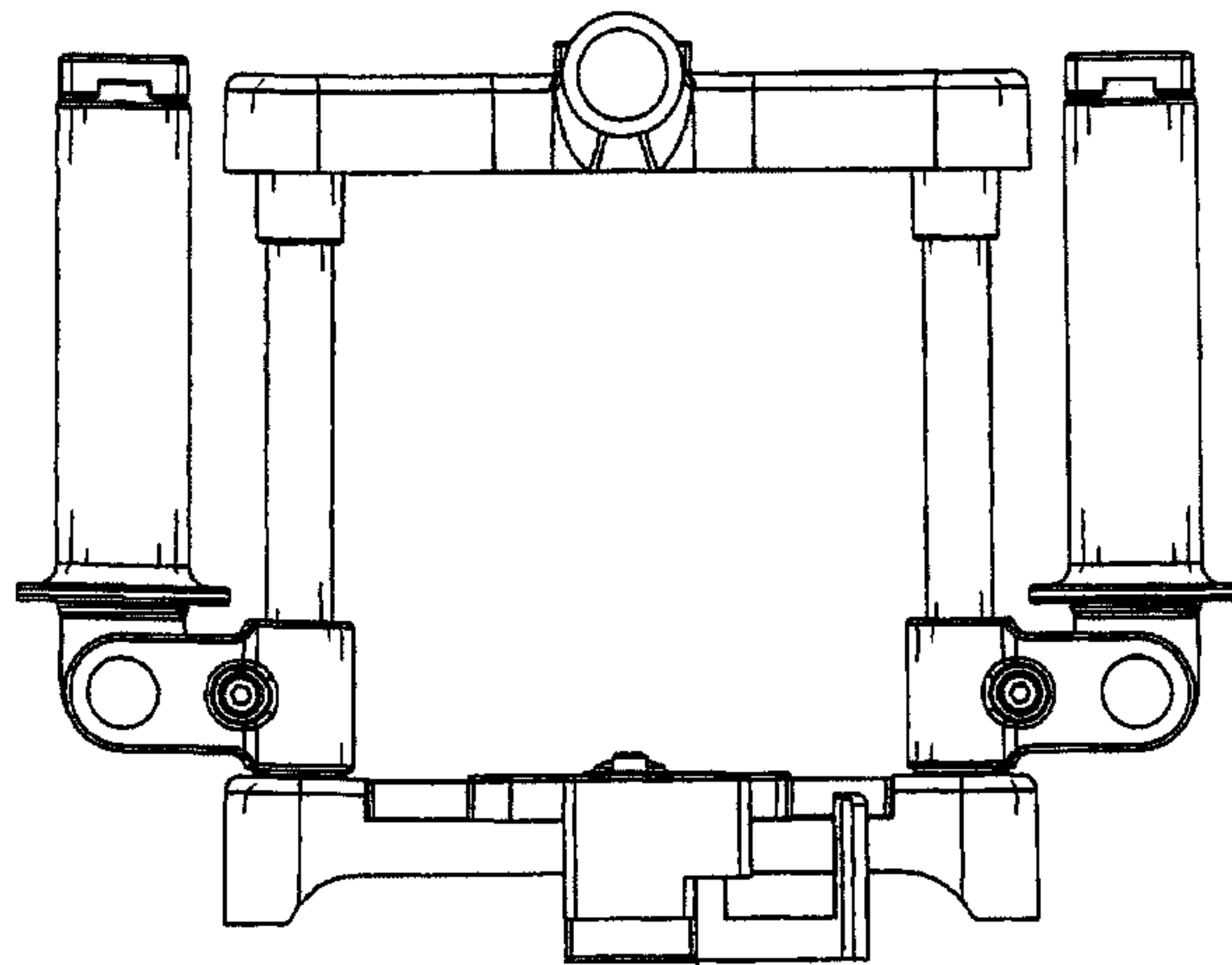
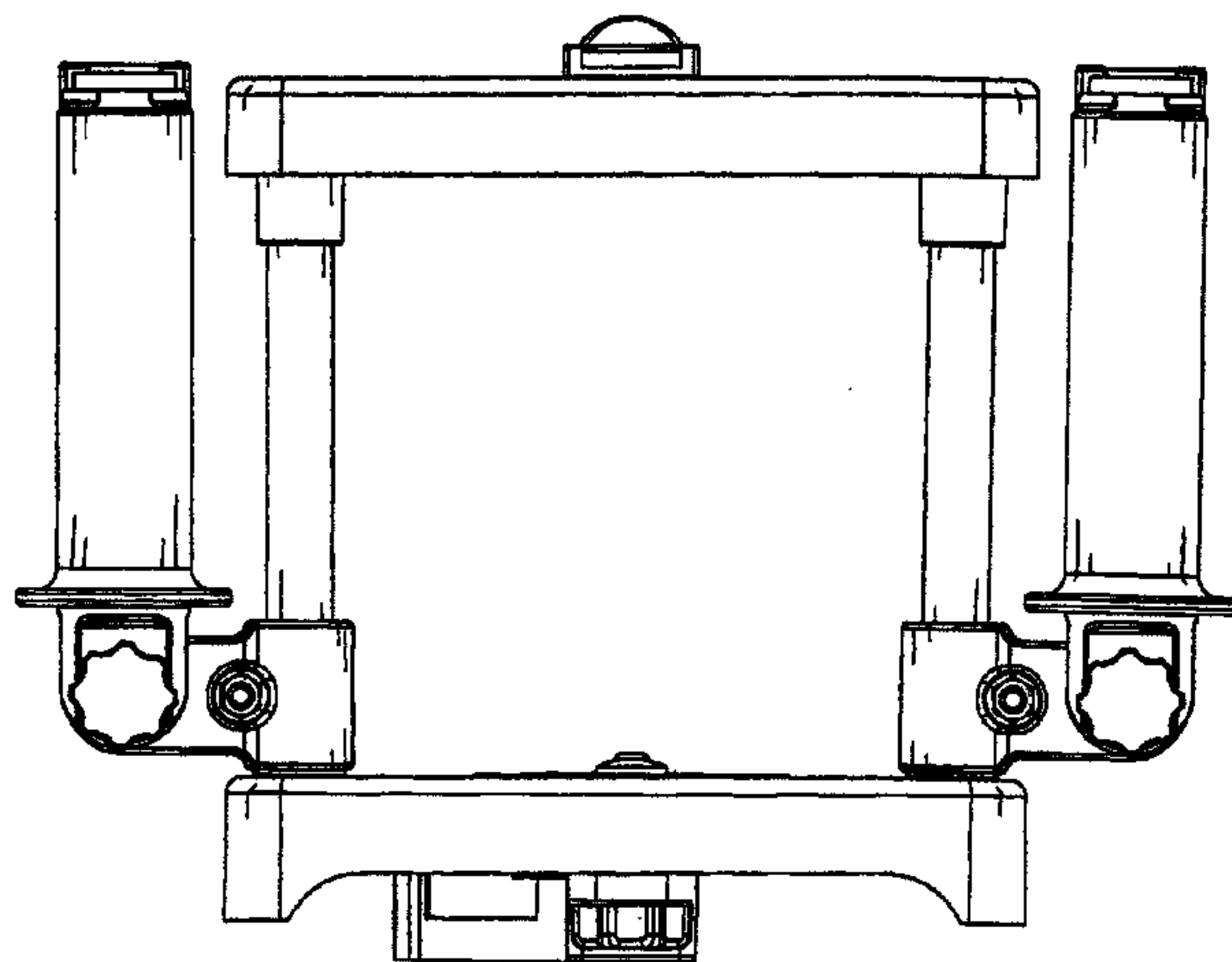
FIG. 4 is a right side elevation view thereof;

FIG. 5 is top view thereof; and,

FIG. 6 is a bottom view thereof.

The broken line showing portions of a camera mount is included for the purpose of illustrating environmental structure and forms no part of the claimed design.

1 Claim, 6 Drawing Sheets



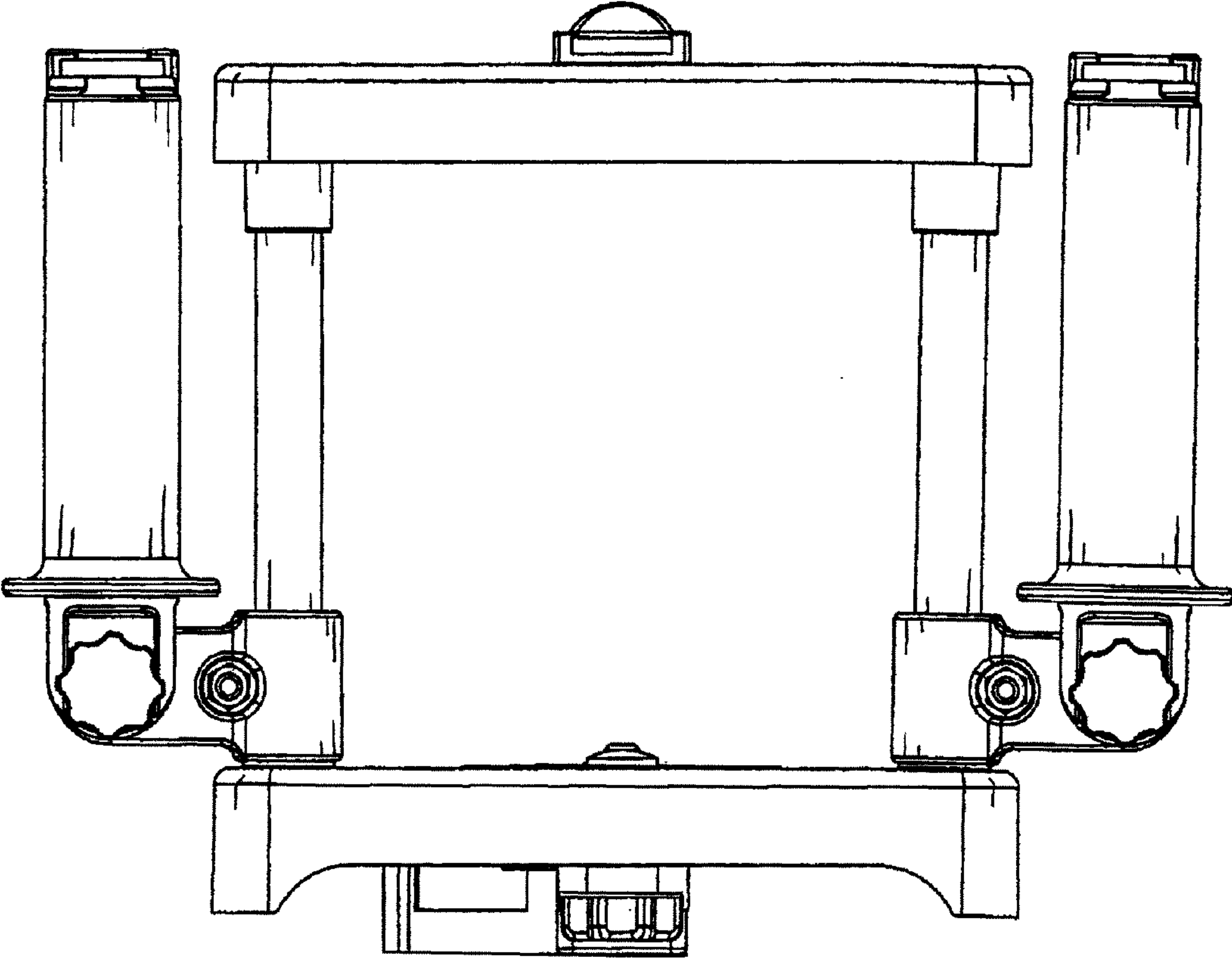


FIG. 1

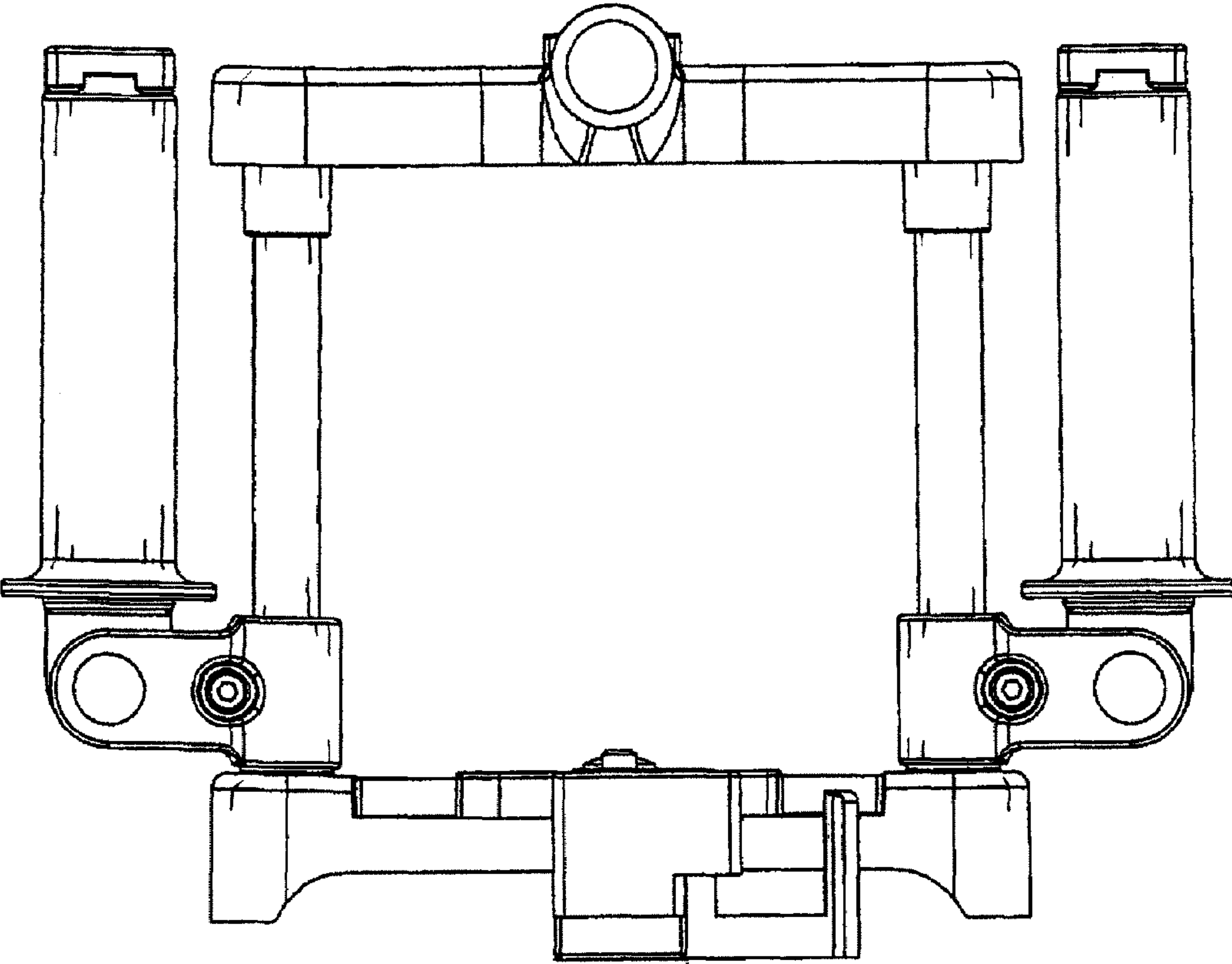


FIG. 2

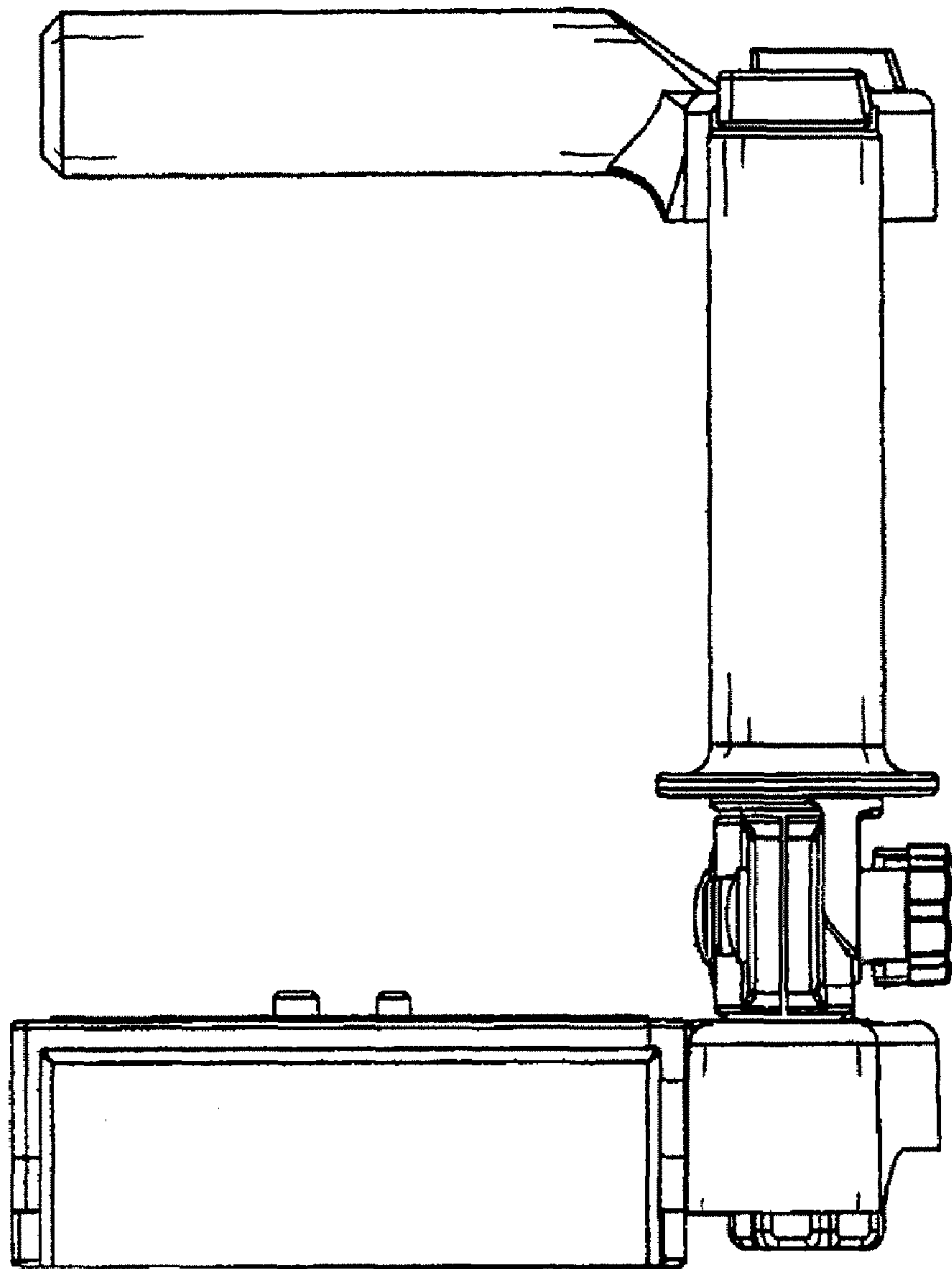


FIG. 3

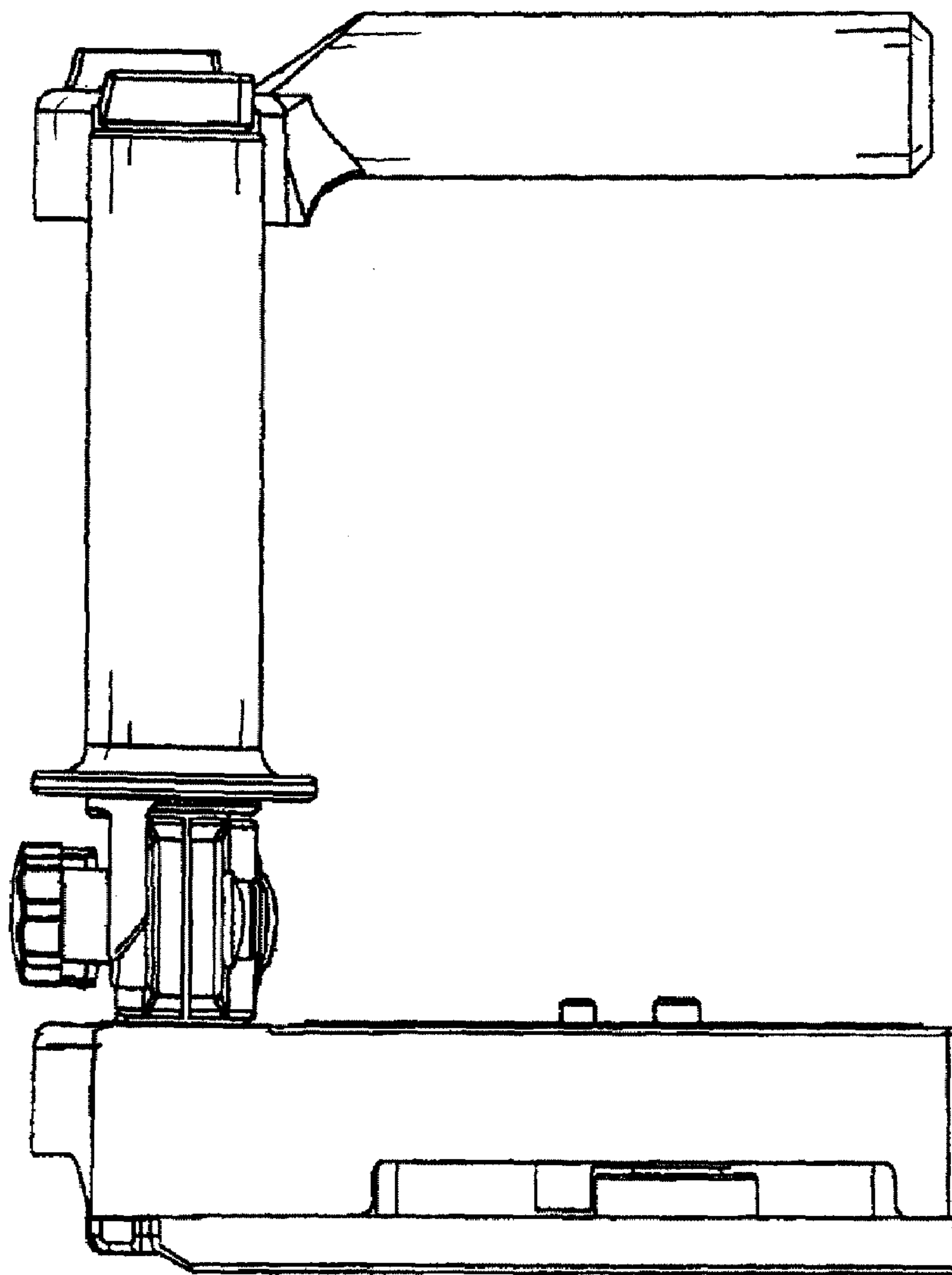


FIG. 4

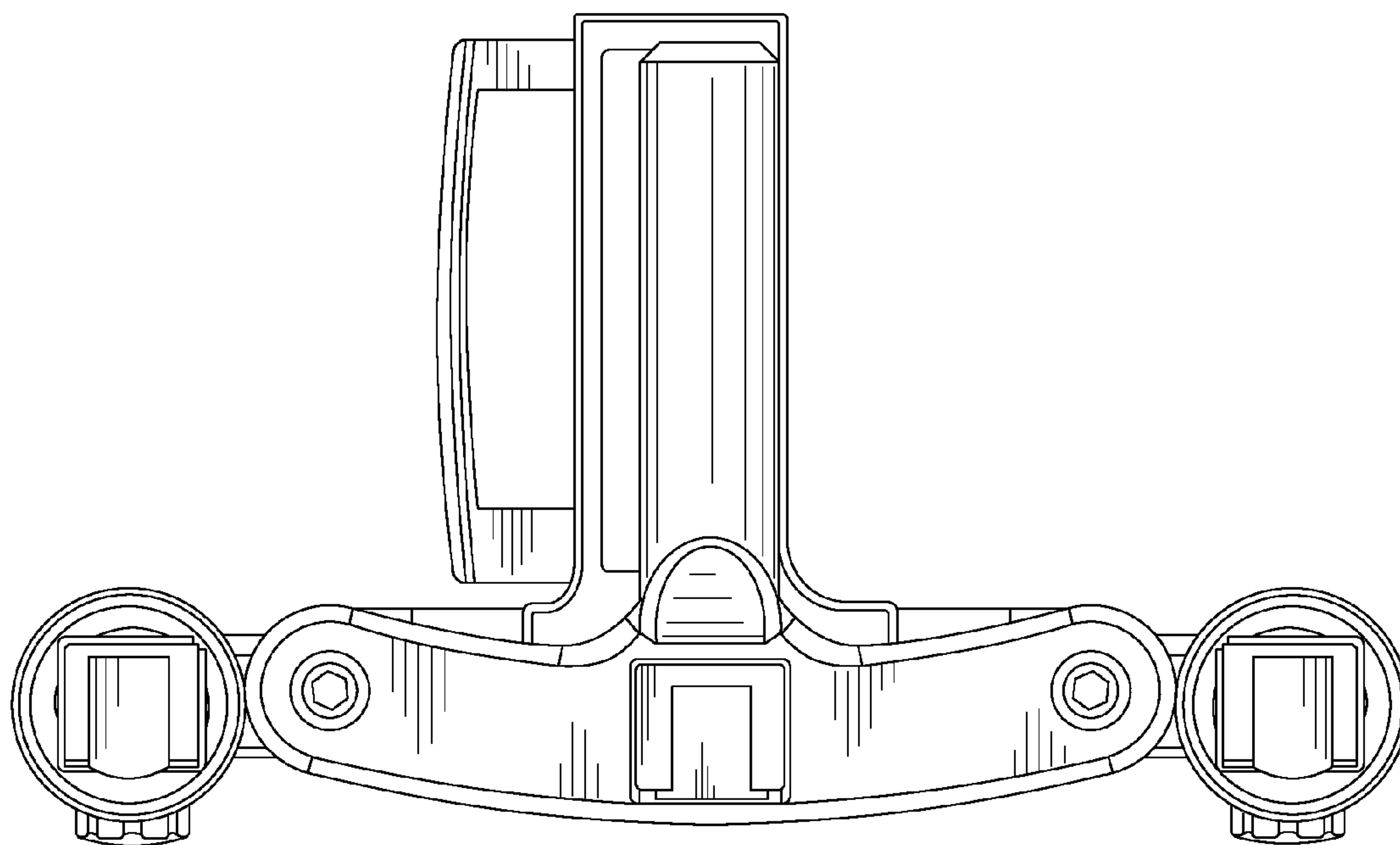


FIG. 5

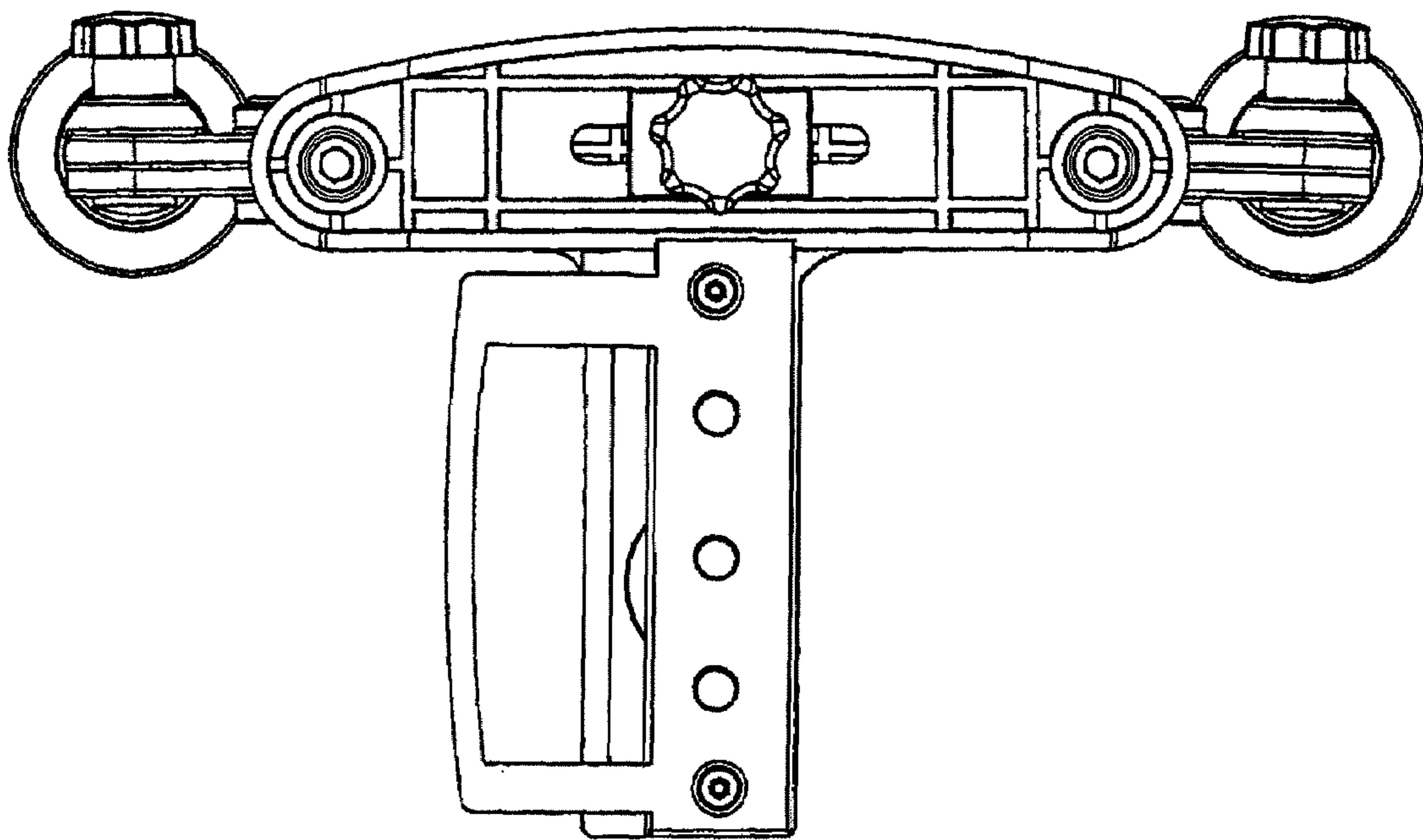


FIG. 6