



US00D609733S

(12) **United States Design Patent**
Hsiao

(10) **Patent No.:** **US D609,733 S**
(45) **Date of Patent:** **** Feb. 9, 2010**

(54) **PROJECTOR**

(75) Inventor: **Yi-Sung Hsiao**, Taipei Hsien (TW)

(73) Assignee: **Hon Hai Precision Industry Co., Ltd.**,
Tu-Cheng, Taipei Hsien (TW)

(**) Term: **14 Years**

(21) Appl. No.: **29/329,673**

(22) Filed: **Dec. 19, 2008**

(30) **Foreign Application Priority Data**

Aug. 11, 2008 (CN) 2008 3 0301170

(51) **LOC (9) Cl.** **16-02**

(52) **U.S. Cl.** **D16/230; D16/225**

(58) **Field of Classification Search** D16/205,
D16/208, 221, 213, 225, 230-231, 234; D21/514;
353/115, 119, 122

See application file for complete search history.

(56) **References Cited**

U.S. PATENT DOCUMENTS

2,506,169	A *	5/1950	Perillo	353/119
4,589,659	A *	5/1986	Yokoi et al.	463/34
D360,426	S *	7/1995	Maiefski et al.	D16/232
D437,337	S *	2/2001	Kawasaki et al.	D16/230
D480,409	S *	10/2003	Wang et al.	D16/230
D482,380	S *	11/2003	Salvatori et al.	D16/230
6,908,198	B2 *	6/2005	Shiraishi et al.	353/60
6,929,370	B2 *	8/2005	Kobayashi et al.	353/99
D516,603	S *	3/2006	Yeh et al.	D16/230
D517,108	S *	3/2006	Chang et al.	D16/230
7,029,132	B2 *	4/2006	Tsubata et al.	353/100

D523,058	S *	6/2006	On et al.	D16/230
7,093,943	B2 *	8/2006	Kobayashi et al.	353/122
7,201,484	B2 *	4/2007	Kobayashi et al.	353/122
D545,861	S *	7/2007	Naruki	D16/230
D556,810	S *	12/2007	Miyauchi et al.	D16/230
D575,811	S *	8/2008	Ohki et al.	D16/230
7,445,342	B2 *	11/2008	Garg	353/79
2006/0087627	A1 *	4/2006	Furumi	353/119
2007/0146649	A1 *	6/2007	Daniel et al.	353/99
2009/0086173	A1 *	4/2009	Combs et al.	353/122

* cited by examiner

Primary Examiner—Ian Simmons

Assistant Examiner—Wan Laymon

(74) *Attorney, Agent, or Firm*—Zhigang Ma

(57) **CLAIM**

The ornamental design for a projector, as shown and described.

DESCRIPTION

FIG. 1 is a perspective view of a projector showing our new design;

FIG. 2 is a front elevational view thereof;

FIG. 3 is a rear elevational view thereof;

FIG. 4 is a left side elevational view thereof;

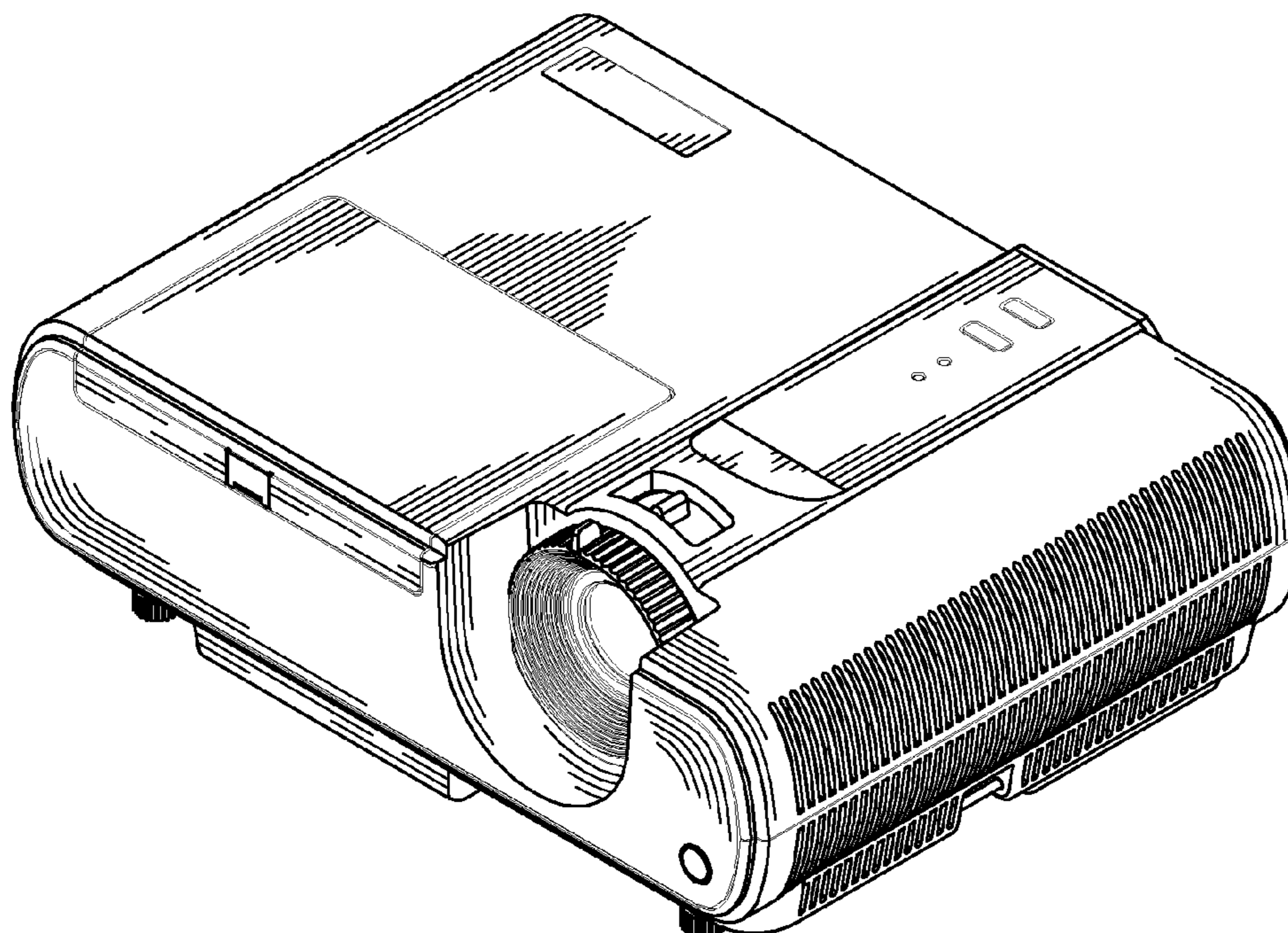
FIG. 5 is a right side elevational view thereof;

FIG. 6 is a top plan view thereof; and,

FIG. 7 is a bottom plan view thereof.

The broken lines shown in the figures are included for the purpose of illustrating portions of the projector that form no part of the claimed design.

1 Claim, 7 Drawing Sheets



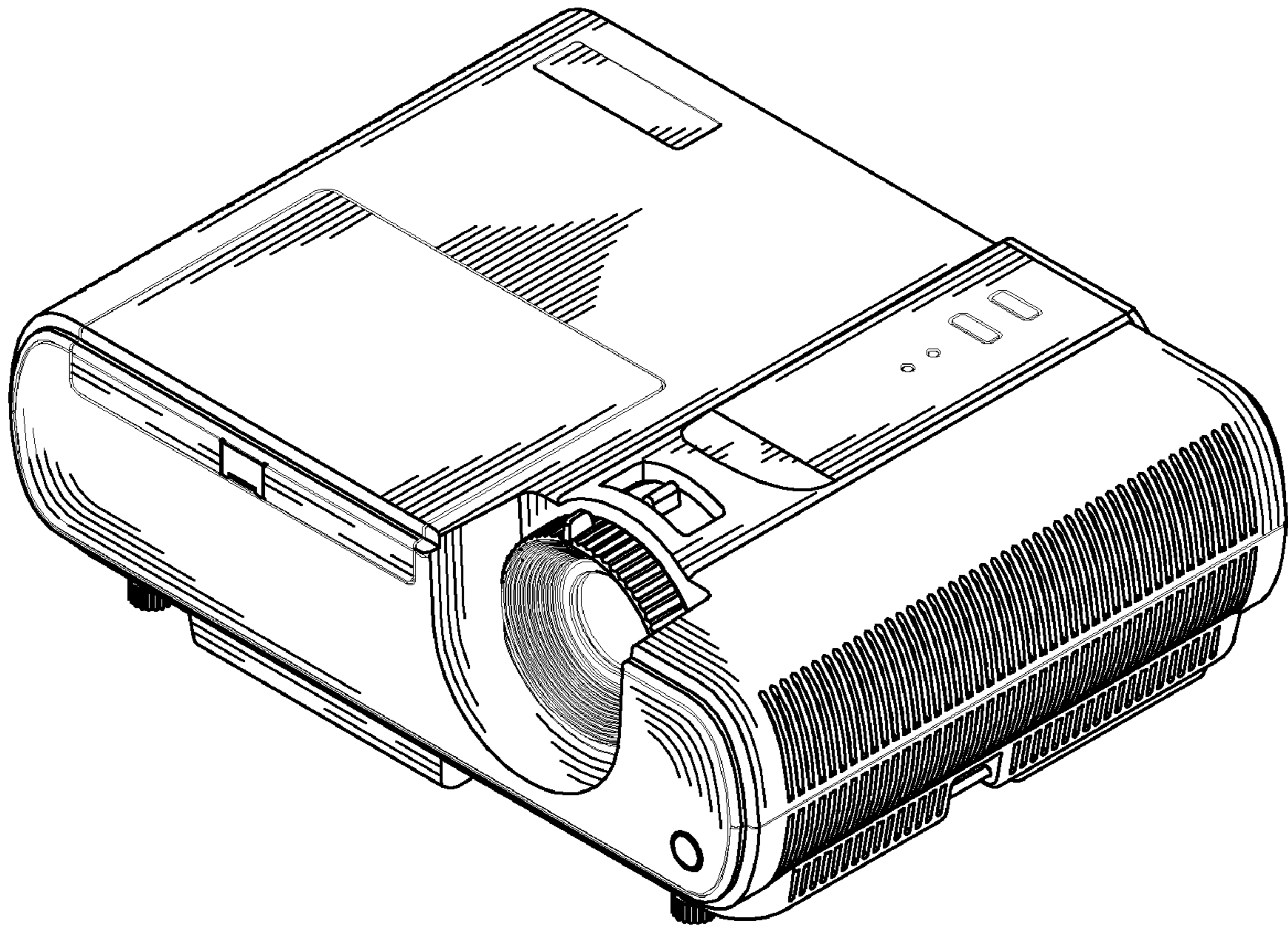


FIG. 1

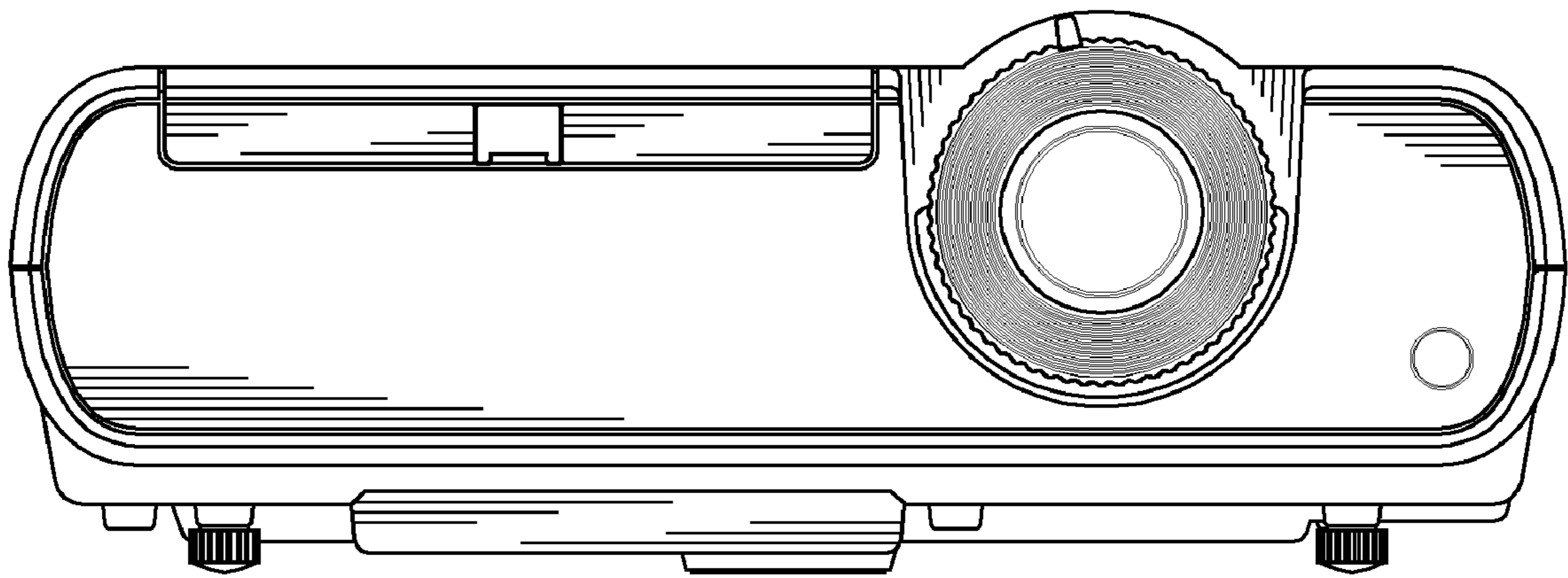


FIG. 2

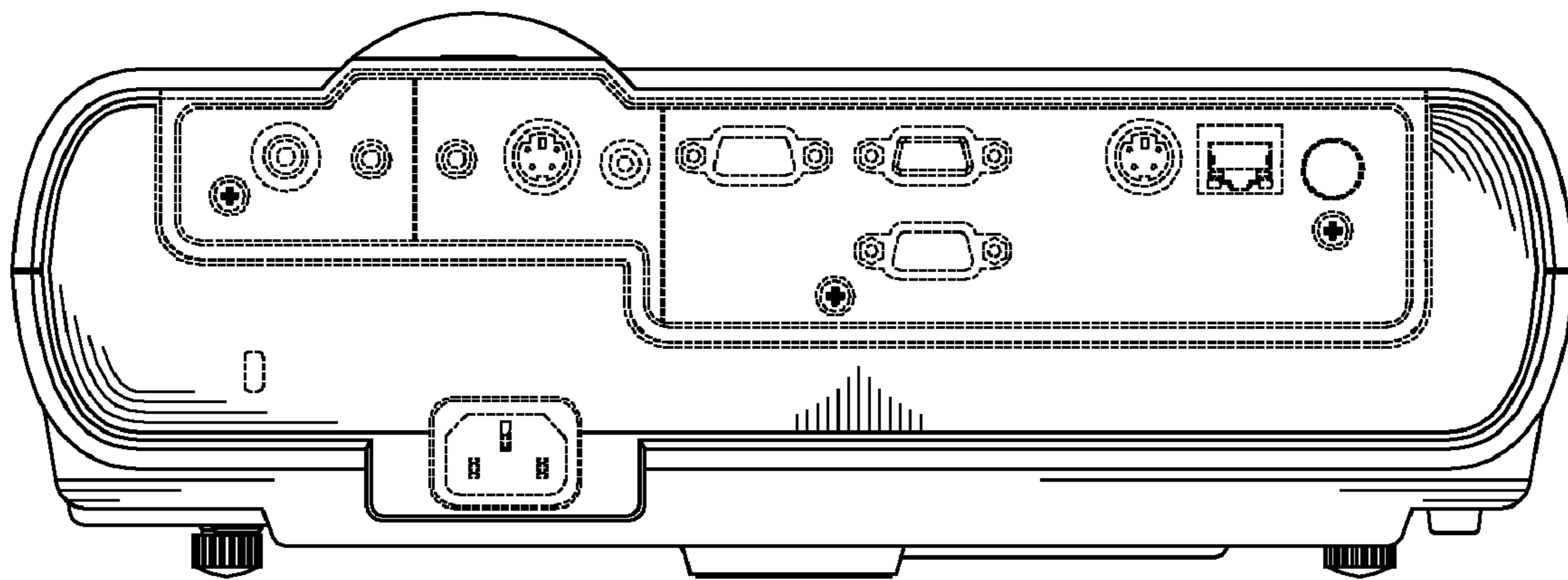


FIG. 3

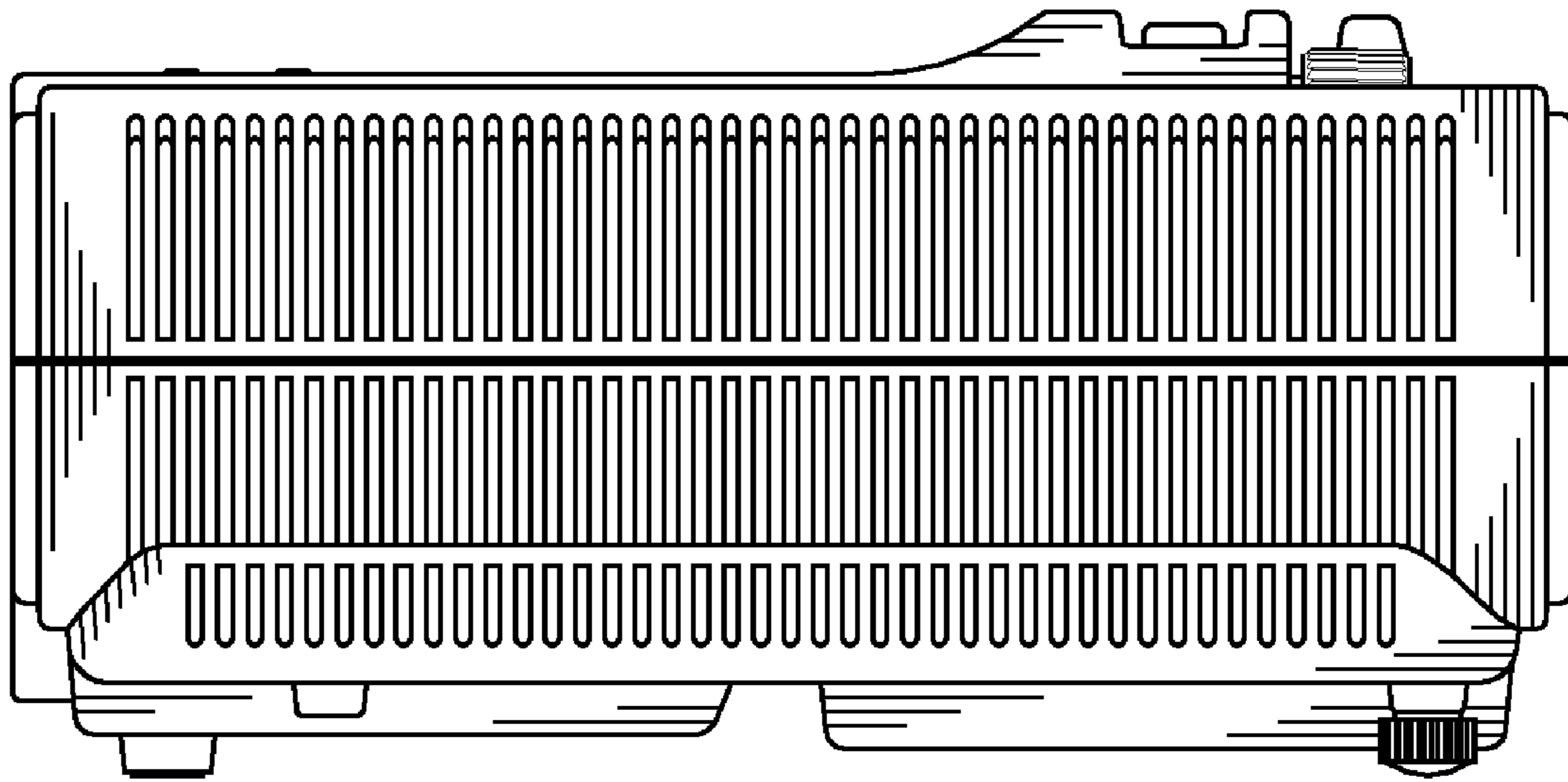


FIG. 4

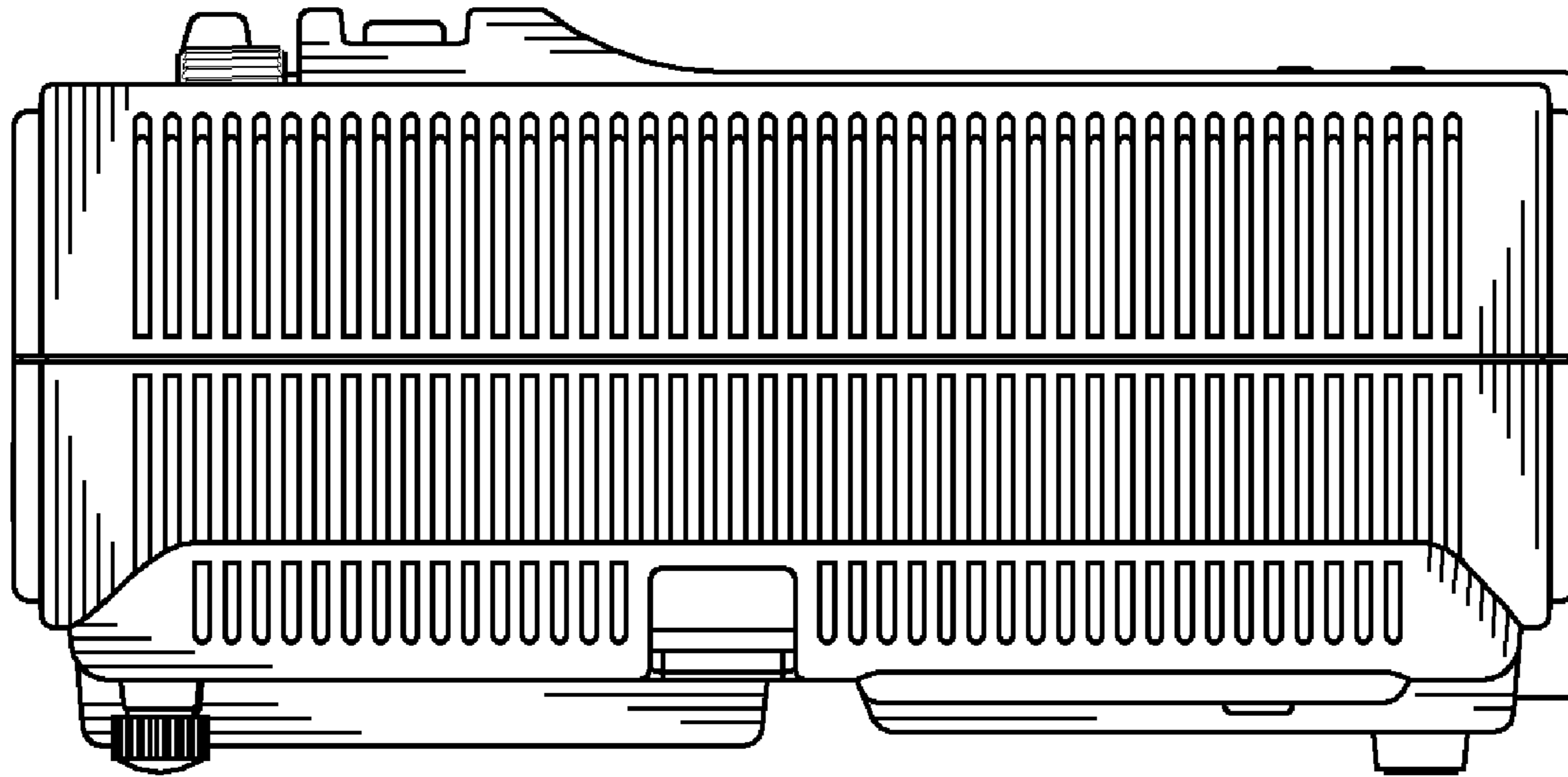


FIG. 5

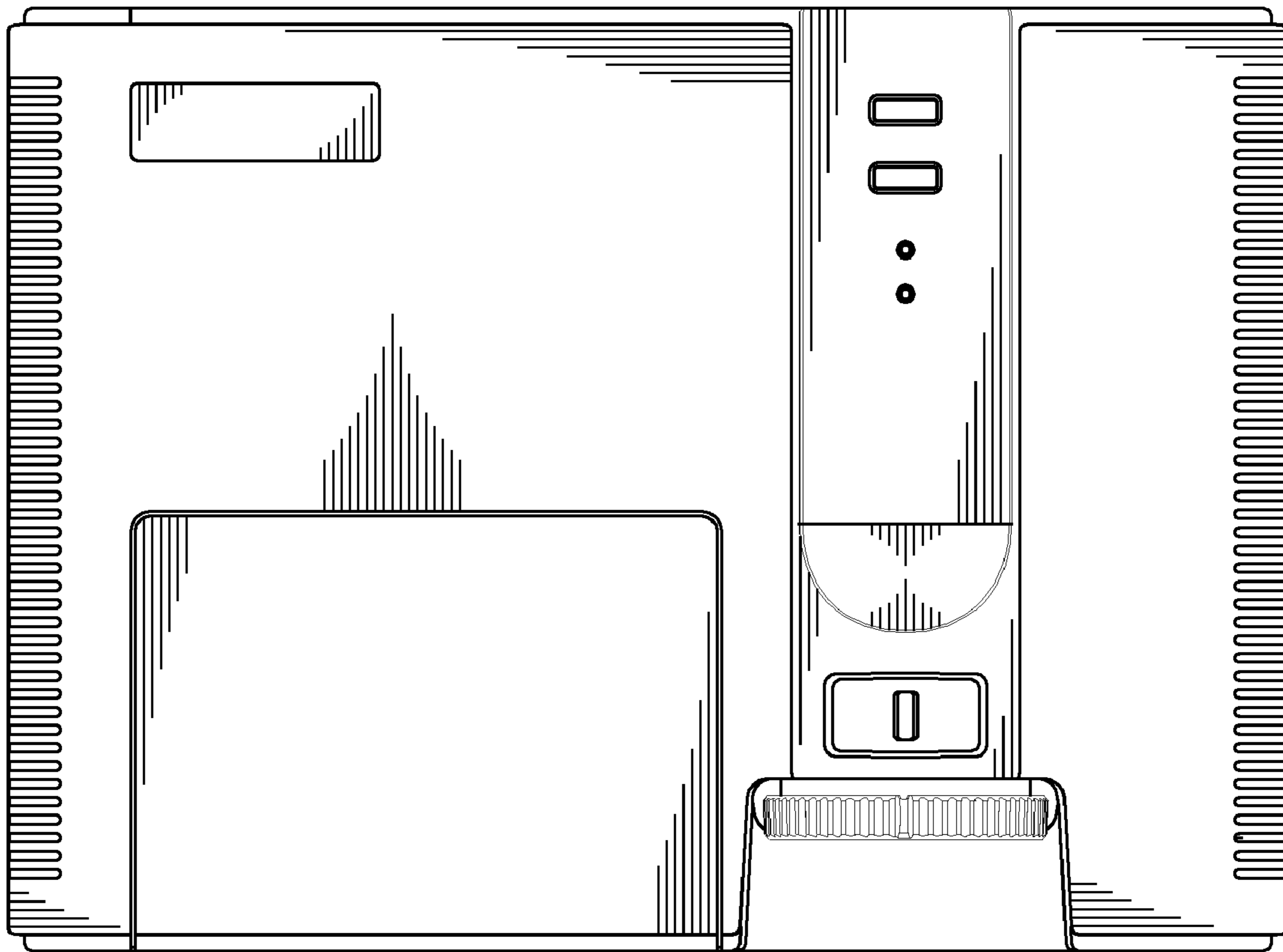


FIG. 6

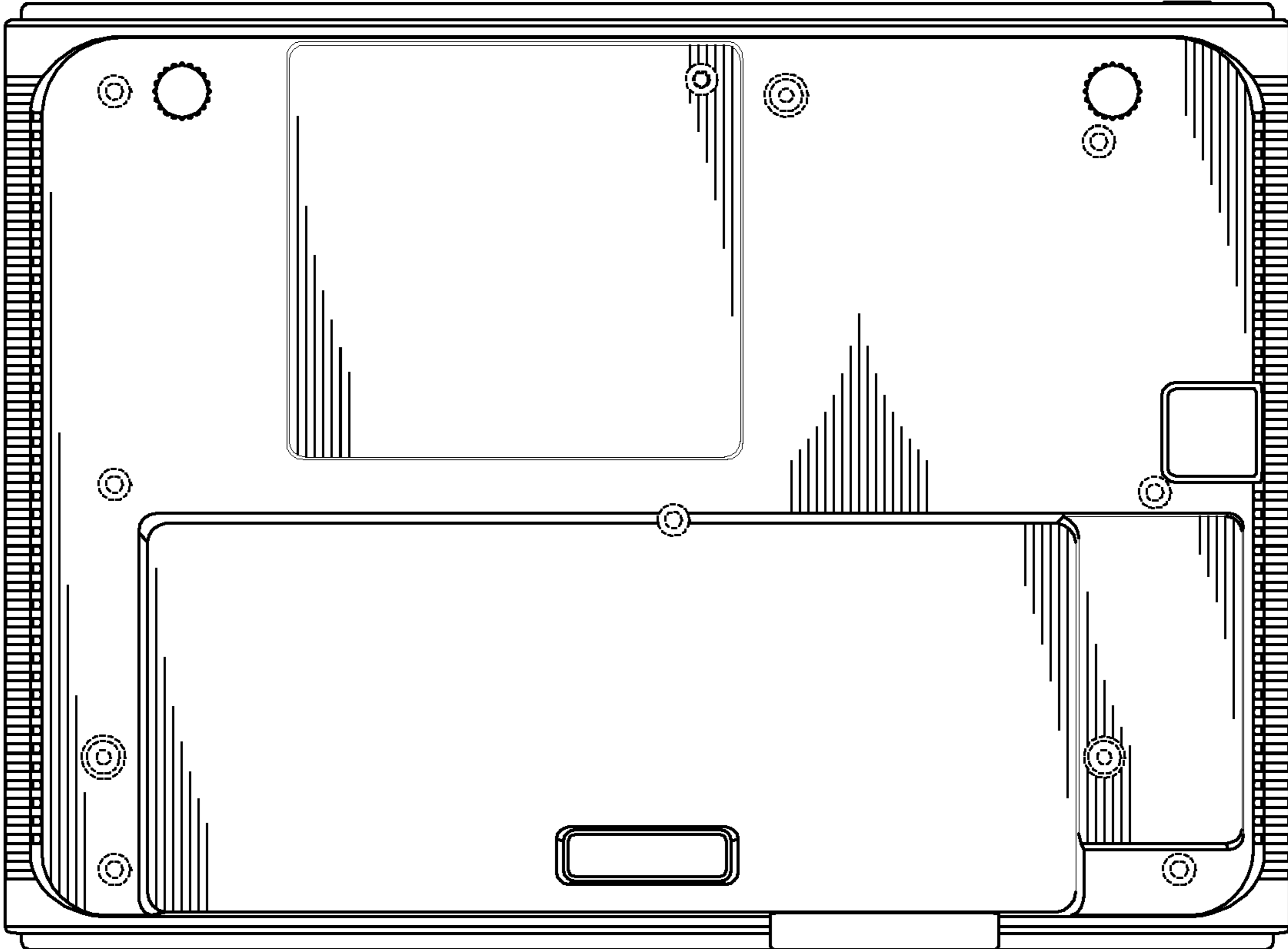


FIG. 7