



US00D609731S

(12) **United States Design Patent**  
**Yagi**

(10) **Patent No.:** **US D609,731 S**

(45) **Date of Patent:** **\*\* Feb. 9, 2010**

(54) **DIGITAL STILL CAMERA**

JP D1314375 11/2007

(75) Inventor: **Ryoichi Yagi**, Osaka (JP)

**OTHER PUBLICATIONS**

(73) Assignee: **Panasonic Corporation**, Osaka (JP)

Olympus Catalog, "Power of  $\mu$ ", Olympus, Mar. 17, 2008, 11 pages.  
Amazon, "Olympus 1030SW", dated Mar. 4, 2008, obtained from the internet at web address <<http://www.amazon.co.jp/exec/obidos/ASIN/B0013XN8CU/interaviteda136-22>> on Feb. 2, 2009, 2 pages.

(\*\*) Term: **14 Years**

\* cited by examiner

(21) Appl. No.: **29/333,519**

(22) Filed: **Mar. 11, 2009**

*Primary Examiner*—Adir Aronovich

(30) **Foreign Application Priority Data**

(74) *Attorney, Agent, or Firm*—Brinks Hofer Gilson & Lione

Oct. 23, 2008 (JP) ..... 2008-027245

(57) **CLAIM**

(51) **LOC (9) Cl.** ..... **16-01**

I claim the ornamental design for a digital still camera, as shown and described.

(52) **U.S. Cl.** ..... **D16/202**

(58) **Field of Classification Search** ..... D16/200–204,  
D16/218; 348/373–376; 358/909.1; 396/535–541  
See application file for complete search history.

**DESCRIPTION**

(56) **References Cited**

FIG. 1 is a front, top and right side perspective view of a digital still camera of the present invention;

**U.S. PATENT DOCUMENTS**

FIG. 2 is a front elevational view thereof;

D548,255 S \* 8/2007 Naito ..... D16/202

FIG. 3 is a rear elevational view thereof;

D557,303 S \* 12/2007 Inaba ..... D16/202

FIG. 4 is a left side elevational view thereof;

D570,889 S \* 6/2008 Nakajima ..... D16/202

FIG. 5 is a right side elevational view thereof;

D573,623 S \* 7/2008 Nakajima ..... D16/202

FIG. 6 is a top plan view thereof;

D585,083 S \* 1/2009 Nakajima ..... D16/202

FIG. 7 is bottom plan view thereof; and,

2006/0139457 A1 \* 6/2006 Liao ..... 348/373

FIG. 8 is rear, top and left side perspective view thereof.

**FOREIGN PATENT DOCUMENTS**

JP D1286144 11/2006

**1 Claim, 8 Drawing Sheets**

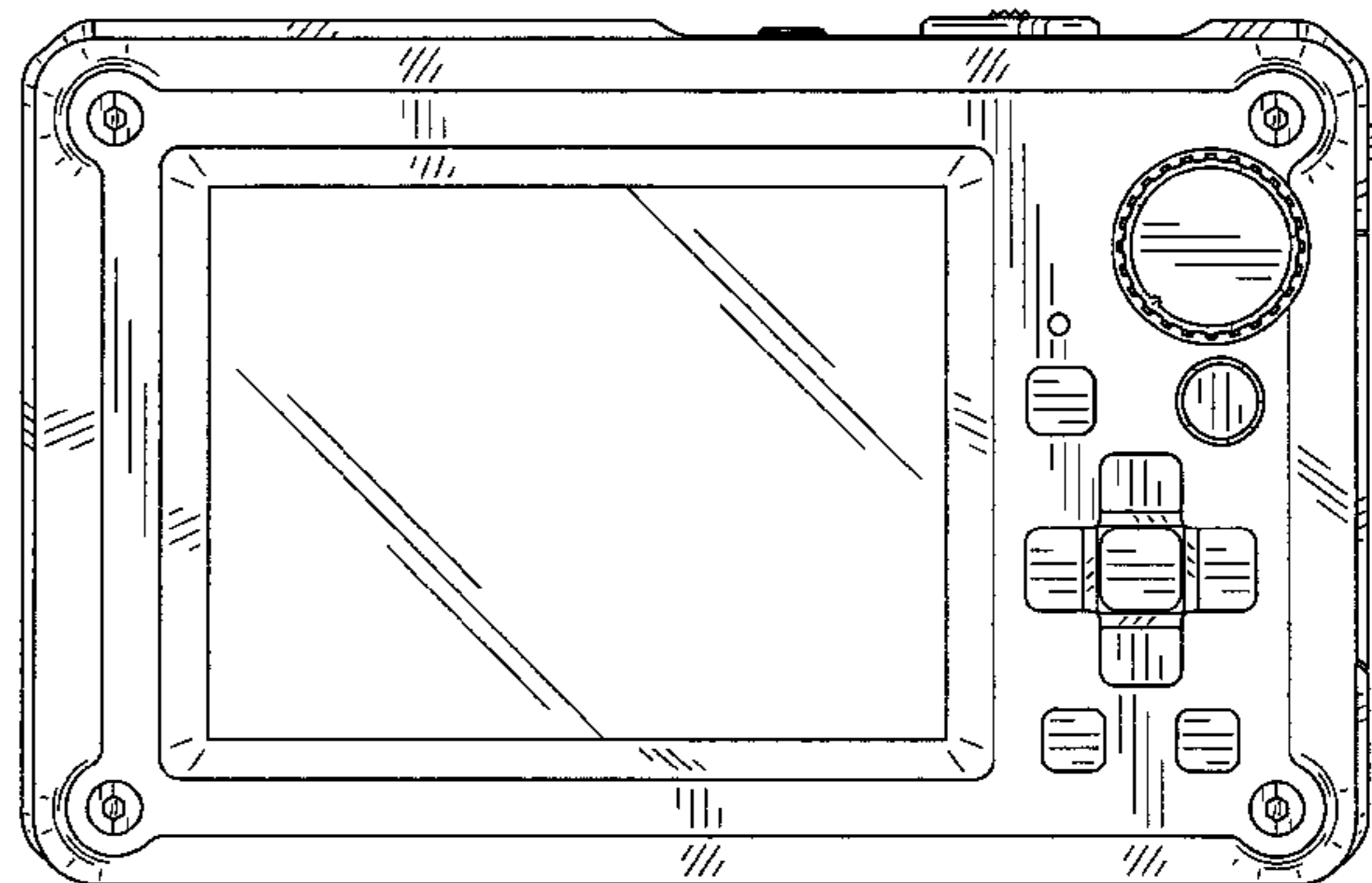
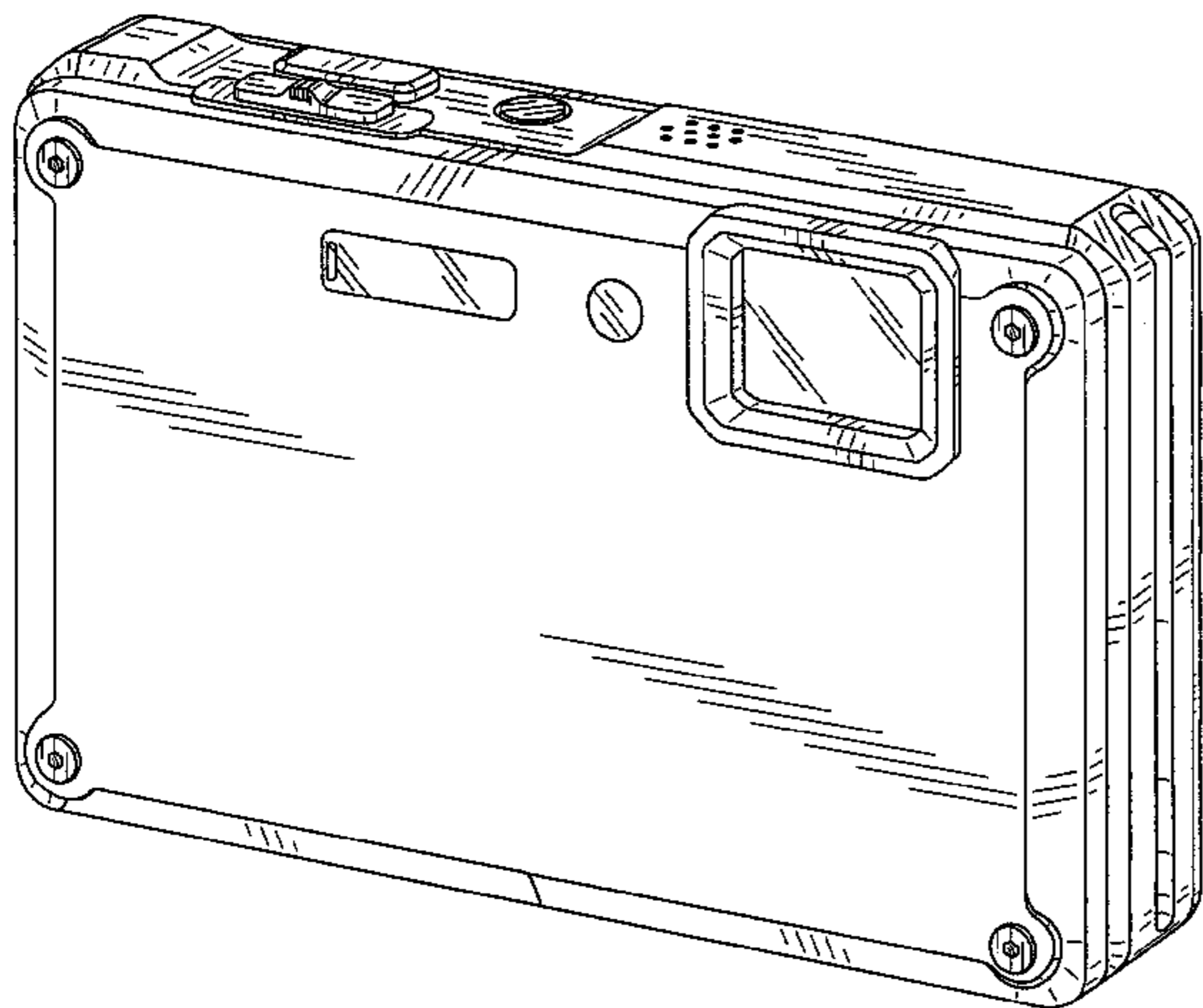


FIG. 1

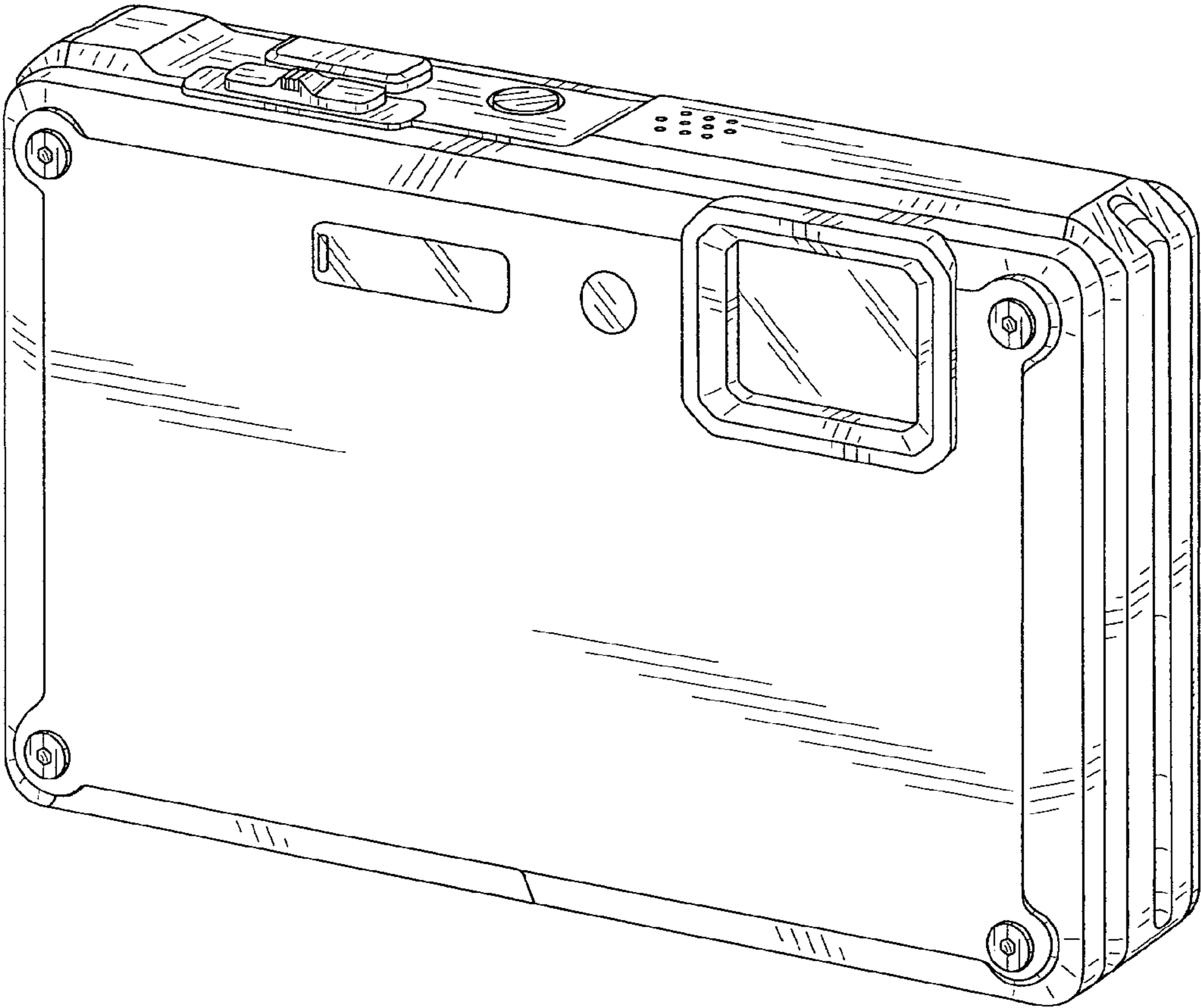


FIG. 2

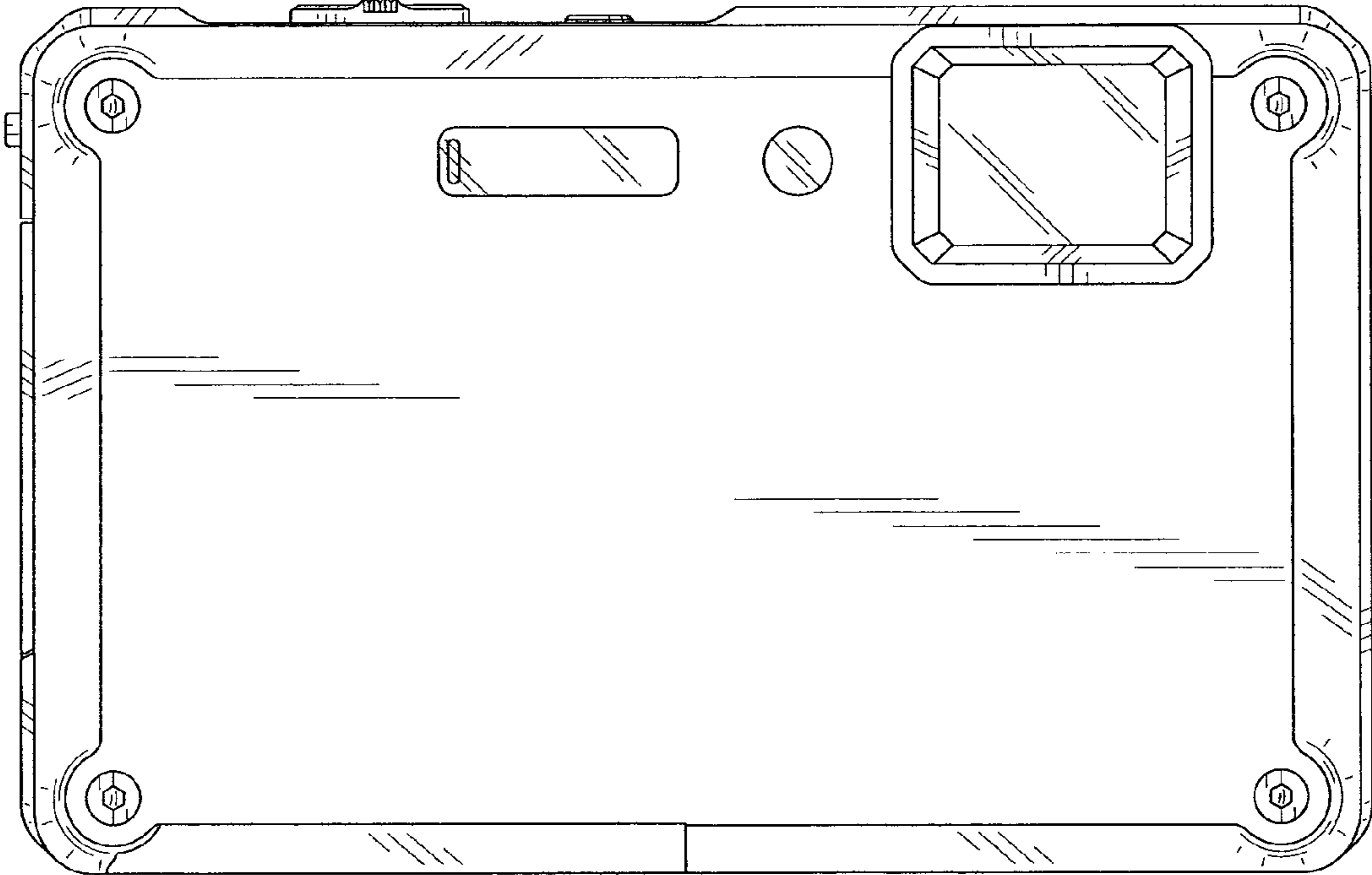


FIG. 3

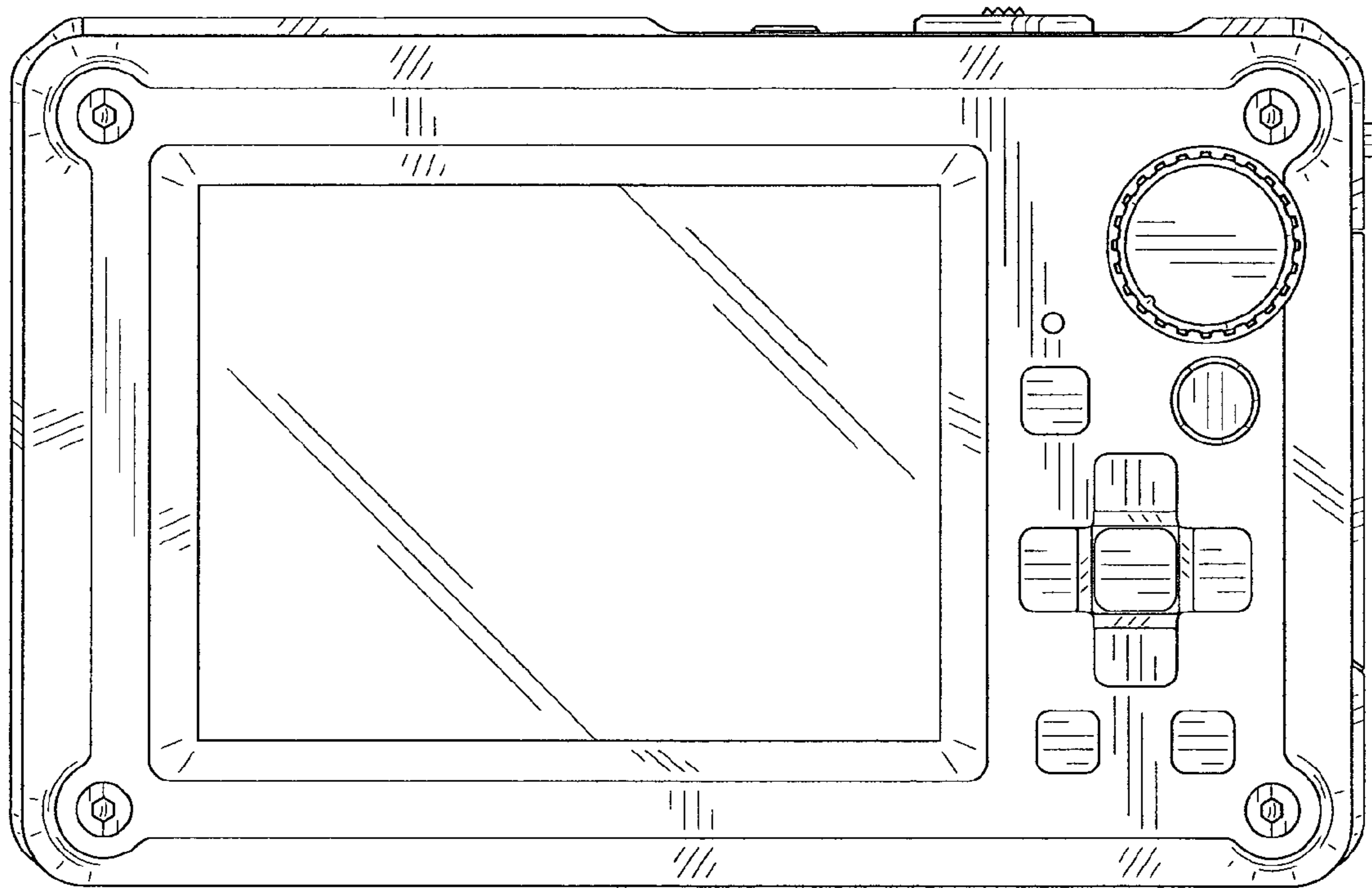


FIG. 4

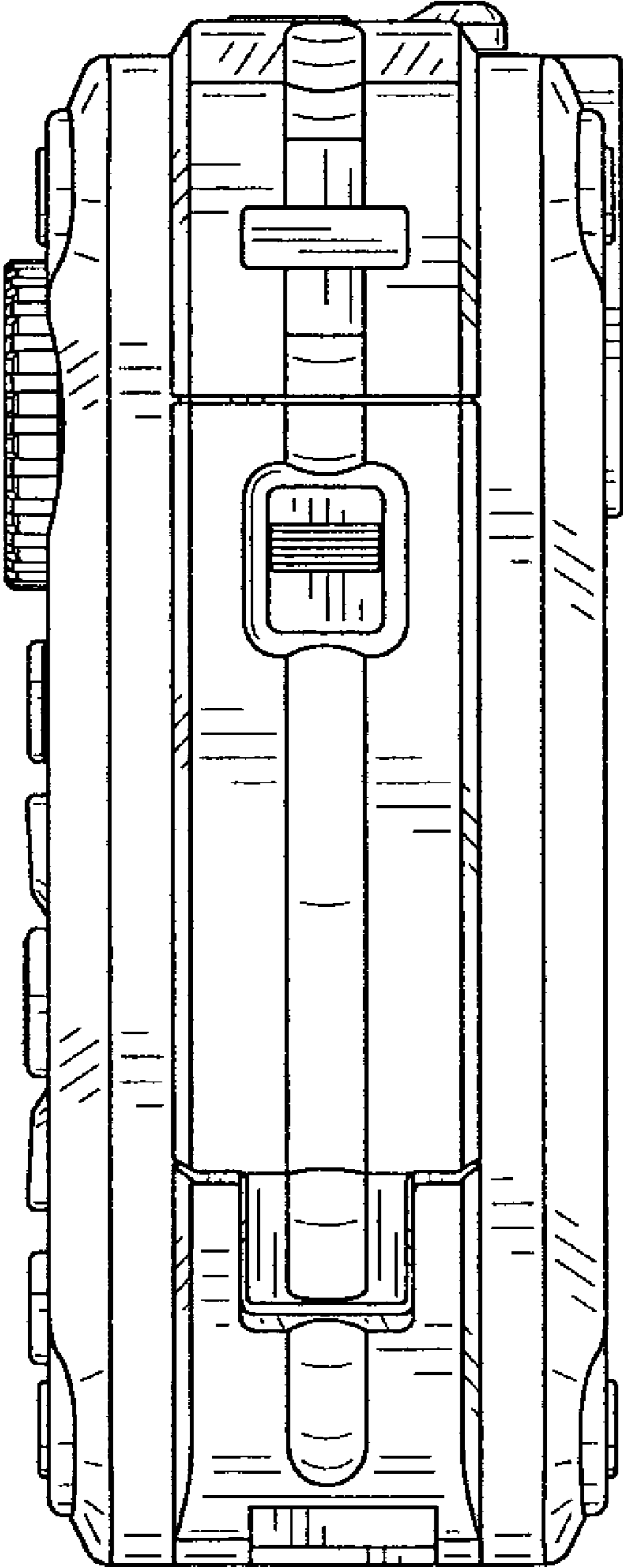


FIG. 5

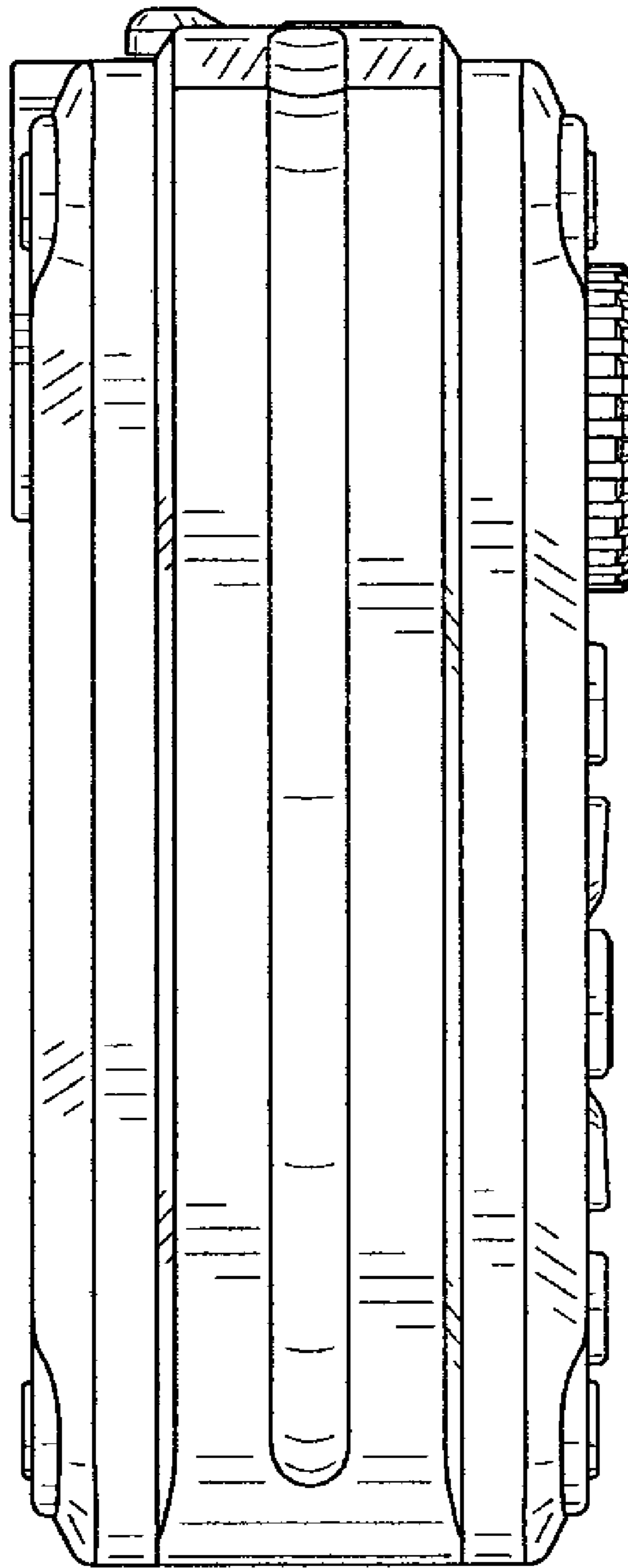


FIG. 6

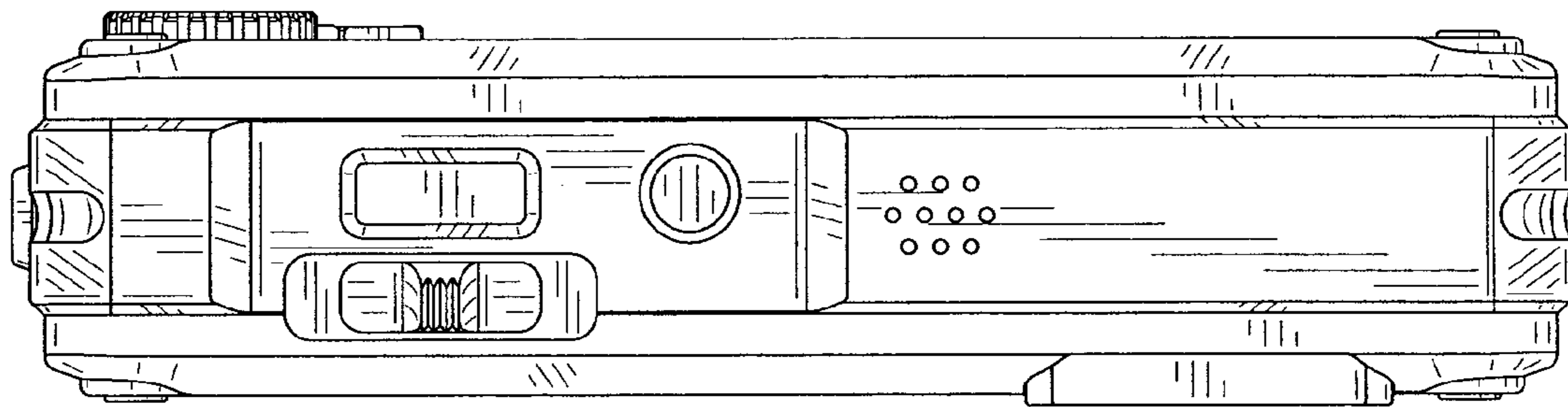


FIG. 7

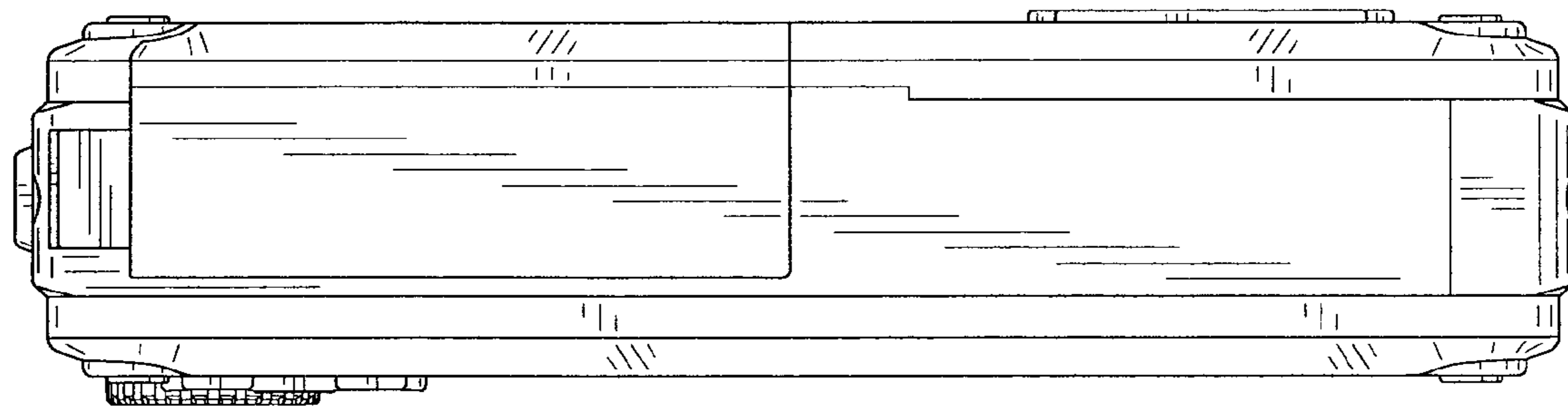




FIG. 8

