



US00D609730S

(12) **United States Design Patent**
Nakamura

(10) **Patent No.:** **US D609,730 S**

(45) **Date of Patent:** **** Feb. 9, 2010**

(54) **DIGITAL STILL CAMERA**

(75) Inventor: **Makoto Nakamura**, Kyoto (JP)

(73) Assignee: **Panasonic Corporation**, Osaka (JP)

(**) Term: **14 Years**

(21) Appl. No.: **29/333,028**

(22) Filed: **Mar. 2, 2009**

(30) **Foreign Application Priority Data**

Sep. 8, 2008 (JP) 2008-23071

(51) **LOC (9) Cl.** **16-01**

(52) **U.S. Cl.** **D16/202; D16/217**

(58) **Field of Classification Search** D16/200-206,
D16/217, 218; 348/373-376; 358/909.1;
396/176, 177, 535-541

See application file for complete search history.

(56) **References Cited**

U.S. PATENT DOCUMENTS

5,253,003	A	10/1993	Fujii et al.	
D425,094	S	5/2000	Morishita et al.	
D433,434	S *	11/2000	Hamamura D16/217
D439,922	S	4/2001	Kumakura	
6,351,609	B1 *	2/2002	Hosokawa et al. 396/177
D471,222	S *	3/2003	Matsumura D16/217

D482,713	S	11/2003	Hayashi	
D497,174	S	10/2004	Omino et al.	
D542,321	S	5/2007	Takahashi	
D559,291	S *	1/2008	Hayashi D16/202
D560,239	S *	1/2008	Kim et al. D16/202
D561,806	S *	2/2008	Funakoshi et al. D16/202
D581,440	S *	11/2008	Nakamura D16/202

* cited by examiner

Primary Examiner—Adir Aronovich

(74) *Attorney, Agent, or Firm*—Brinks Hofer Gilson & Lione

(57) **CLAIM**

I claim the ornamental design for a digital still camera, as shown and described.

DESCRIPTION

FIG. 1 is a front, top and right side perspective view of a digital still camera of the present invention;

FIG. 2 is a front elevational view thereof;

FIG. 3 is a rear elevational view thereof;

FIG. 4 is a left side elevational view thereof;

FIG. 5 is a right side elevational view thereof;

FIG. 6 is a top plan view thereof; and,

FIG. 7 is bottom plan view thereof.

1 Claim, 7 Drawing Sheets

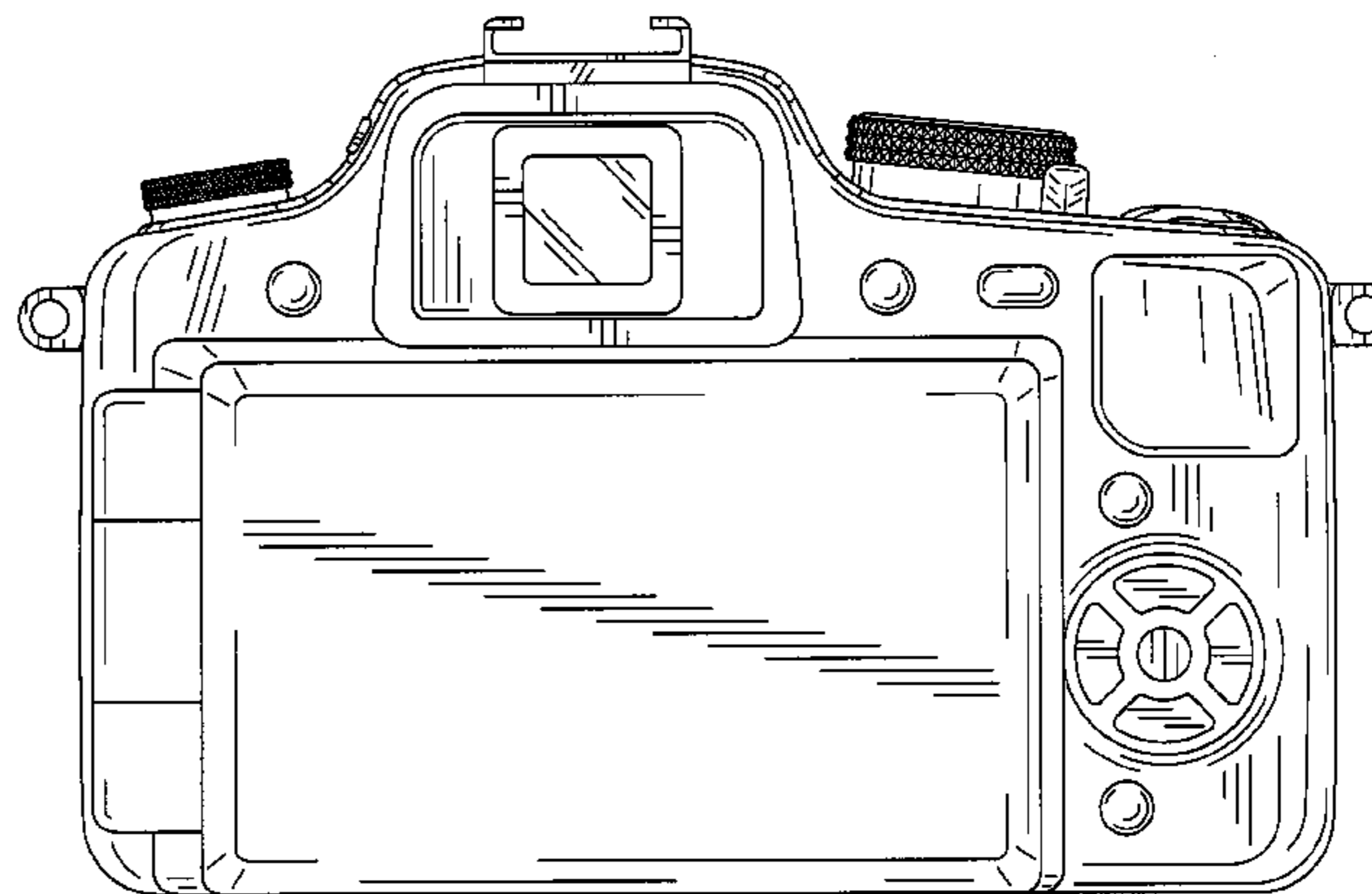
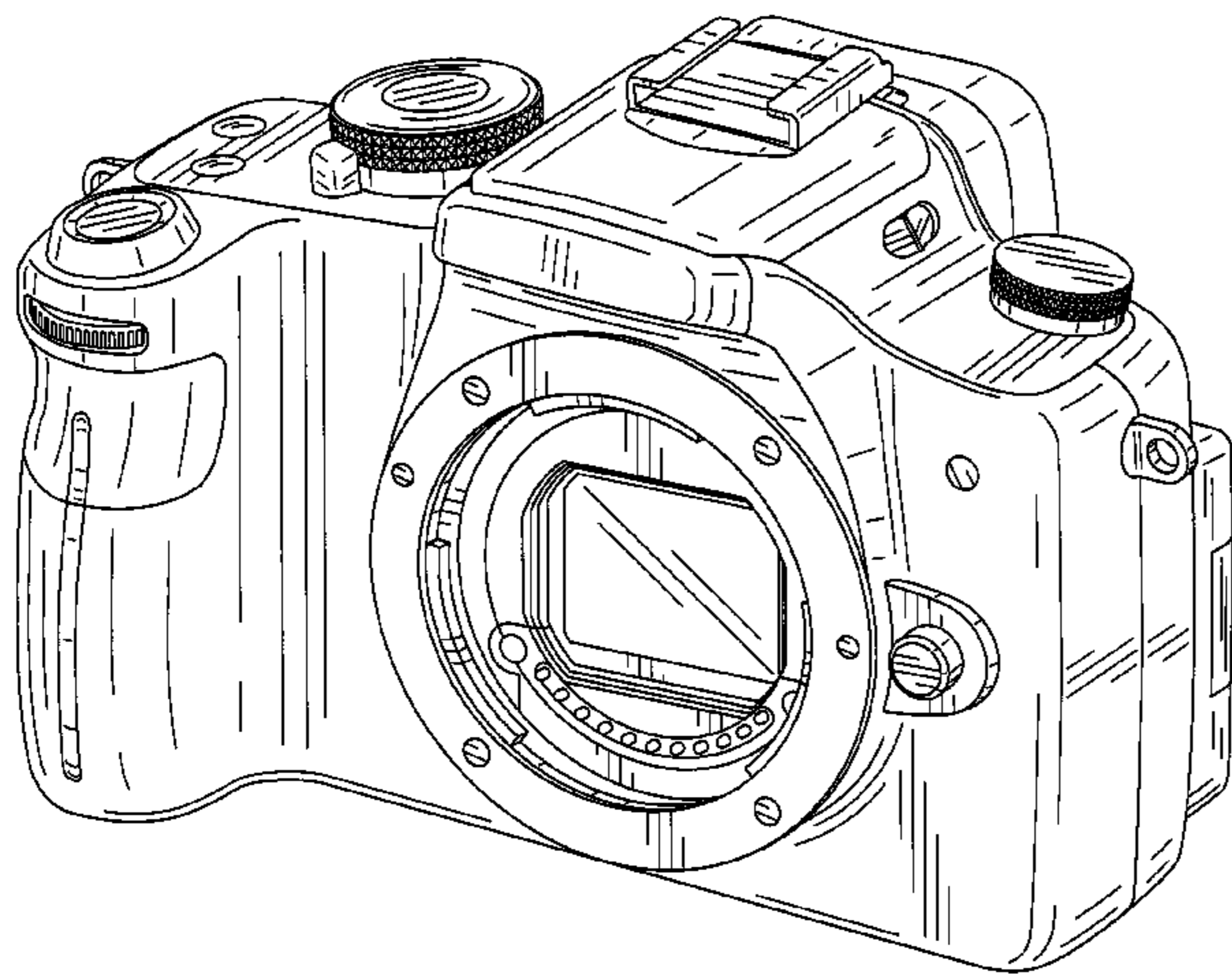


FIG.1

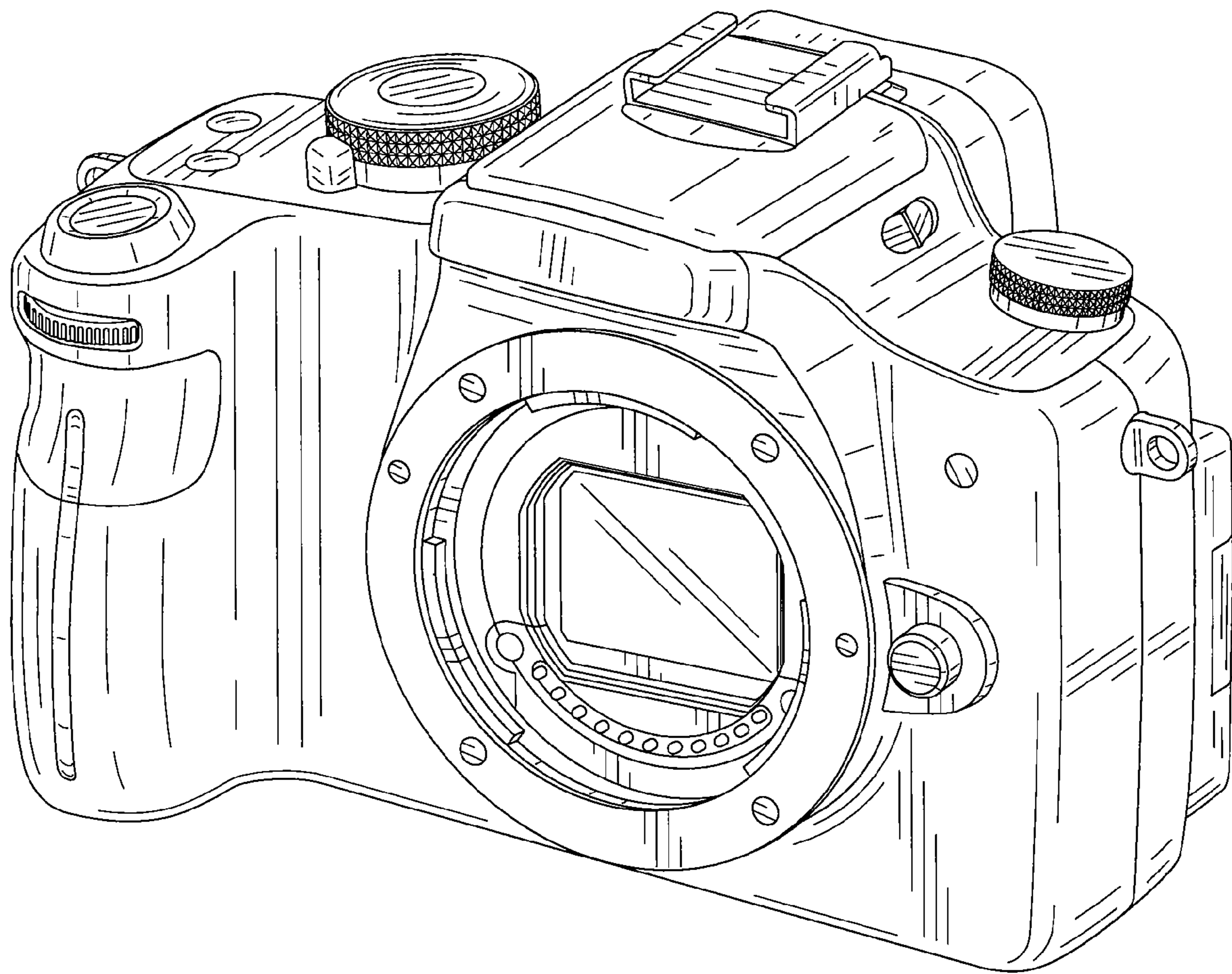


FIG.2

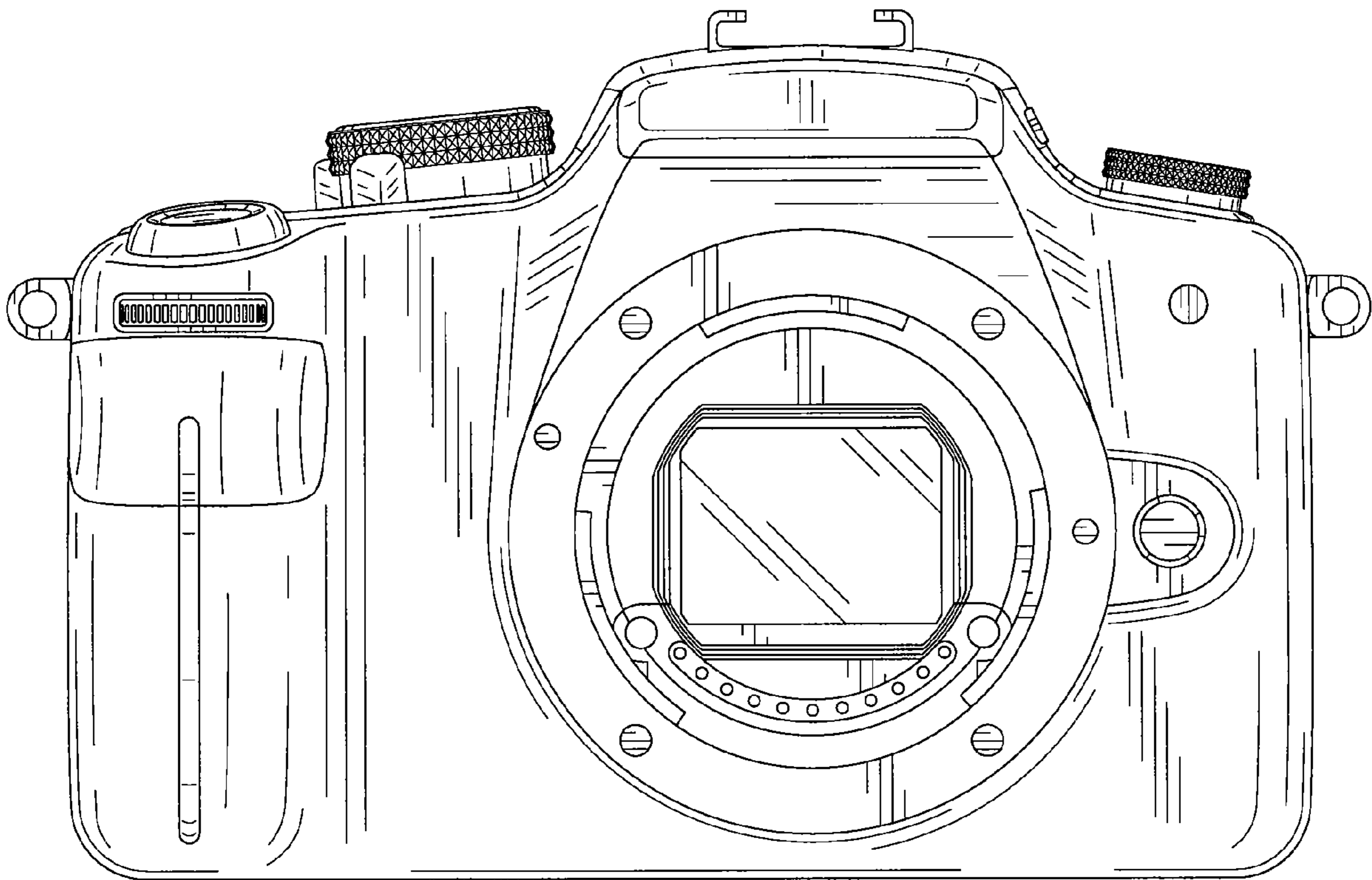


FIG.3

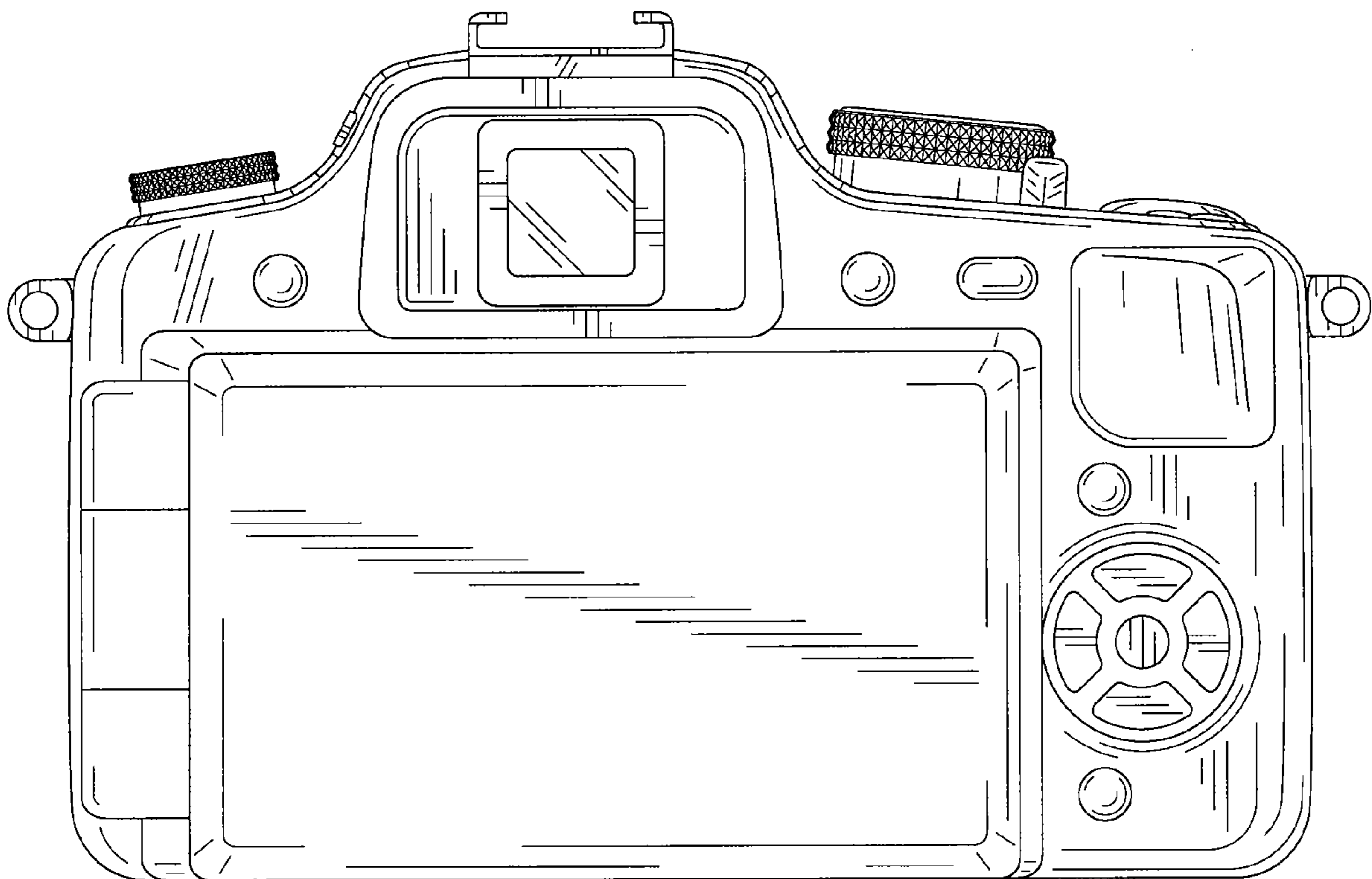


FIG.4

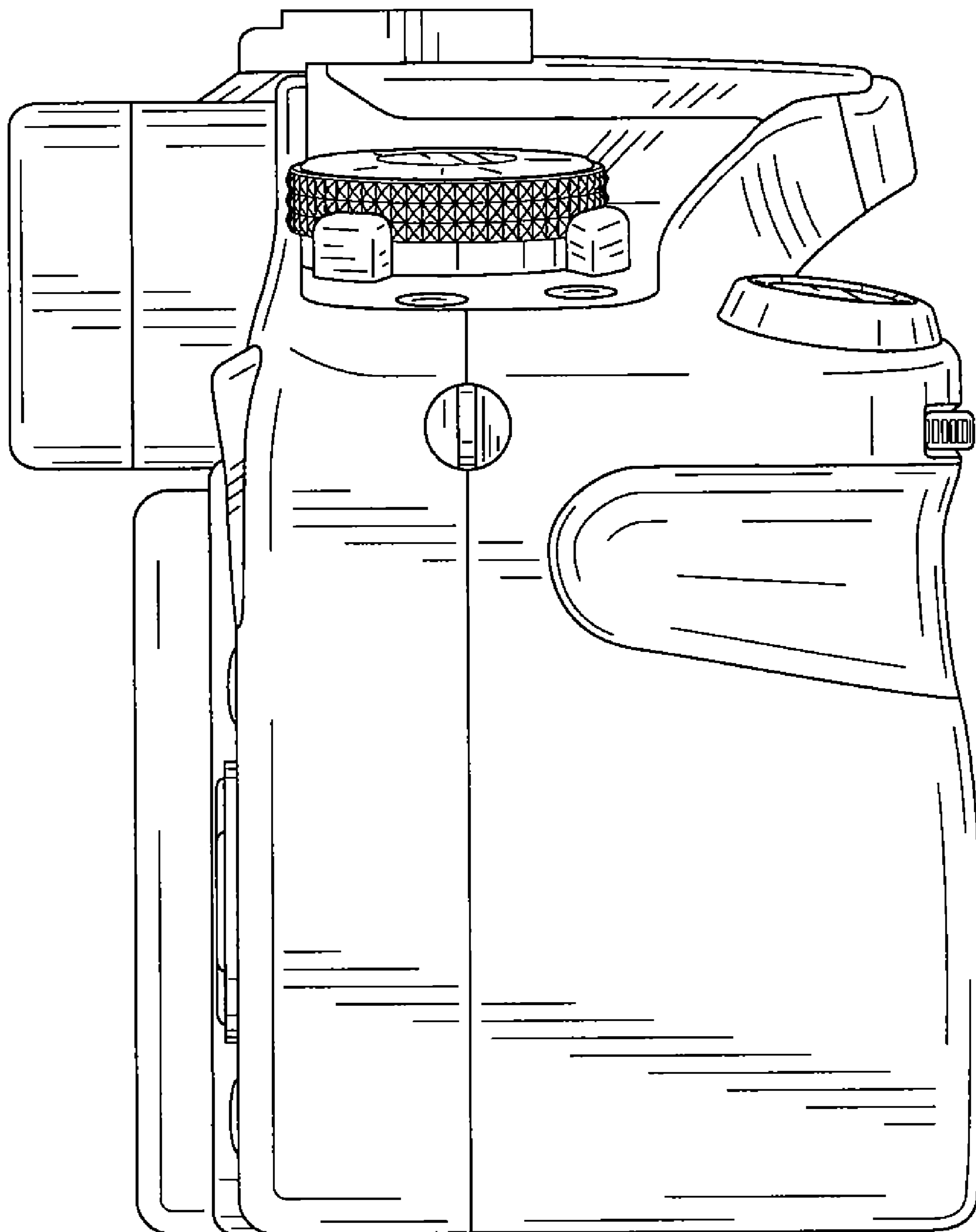


FIG.5

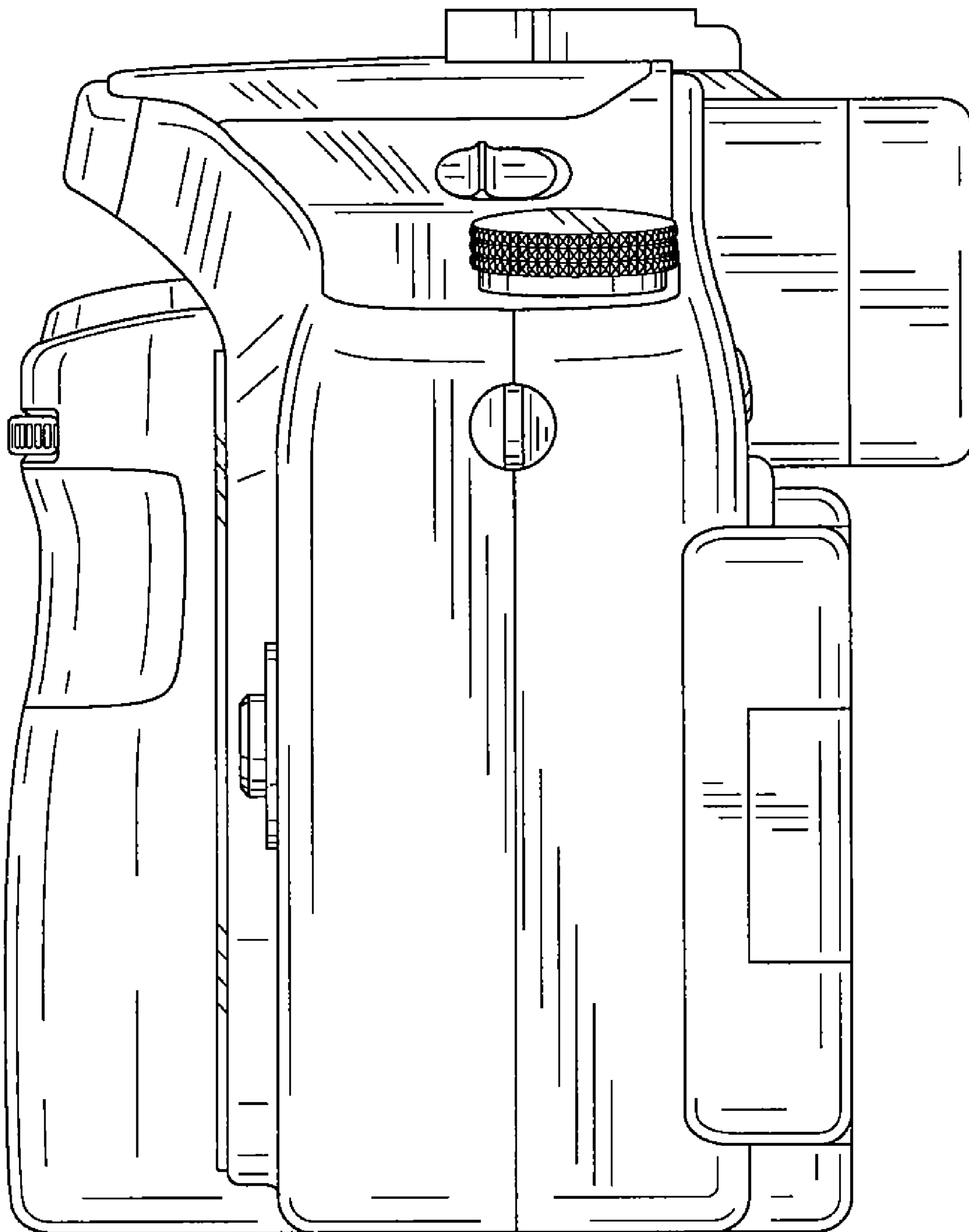


FIG.6

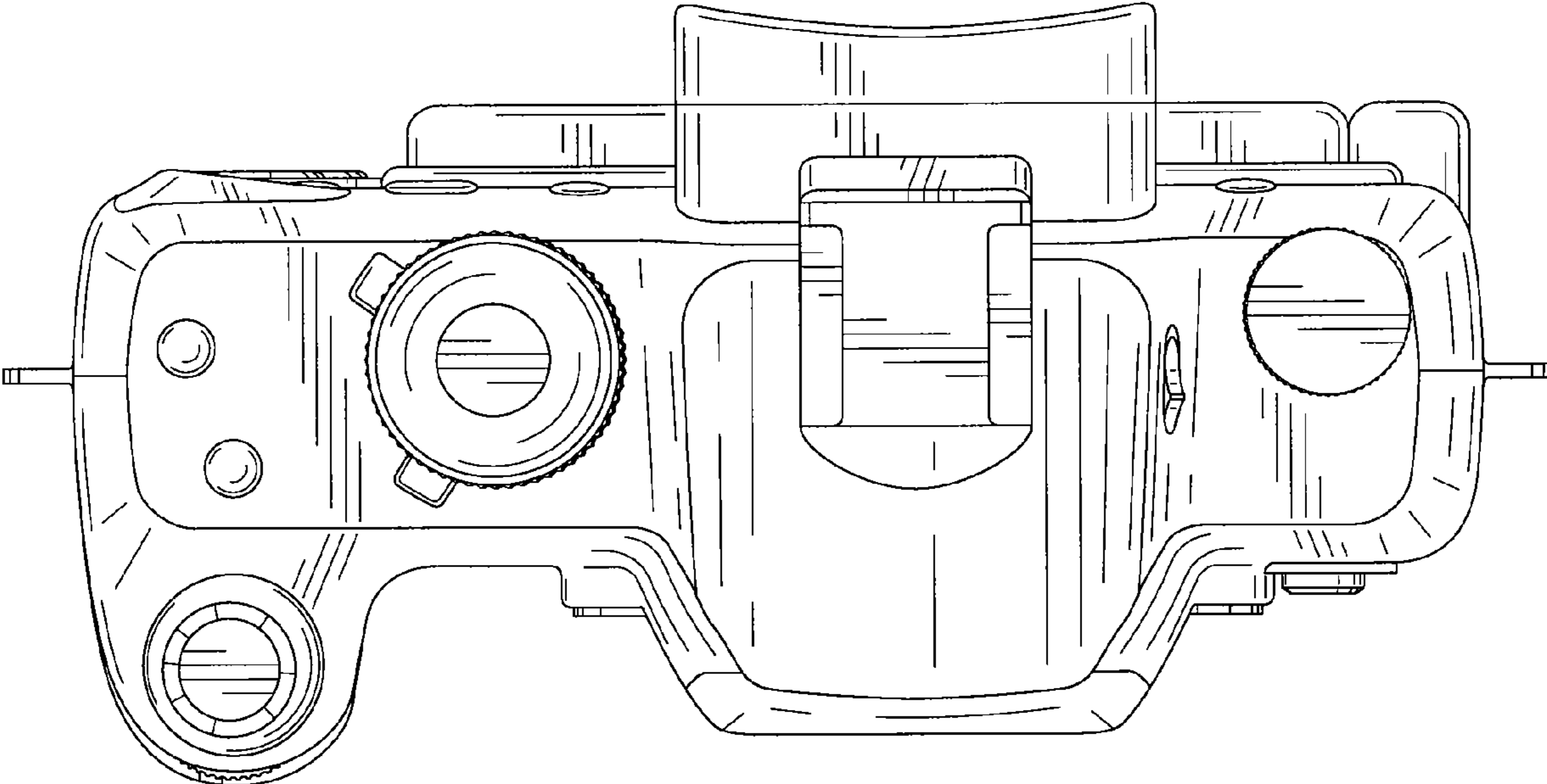


FIG.7

