



US00D609729S

(12) **United States Design Patent**
Yoshii

(10) **Patent No.:** **US D609,729 S**
(45) **Date of Patent:** **** Feb. 9, 2010**

(54) **DIGITAL VIDEO CAMERA**
(75) Inventor: **Kazuto Yoshii**, Osaka (JP)
(73) Assignee: **Sanyo Electric Co., Ltd.**, Osaka (JP)

JP D1324698 3/2008
JP D1324718 3/2008
JP D1324739 3/2008
JP D1325299 3/2008
JP D1325300 3/2008

(**) Term: **14 Years**

* cited by examiner

(21) Appl. No.: **29/332,793**

Primary Examiner—Adir Aronovich

(22) Filed: **Feb. 25, 2009**

(74) *Attorney, Agent, or Firm*—Darby & Darby

(30) **Foreign Application Priority Data**

Sep. 19, 2008 (JP) D2008-024080

(57) **CLAIM**

The ornamental design for a digital video camera, as shown and described.

(51) **LOC (9) Cl.** **16-01**
(52) **U.S. Cl.** **D16/202**
(58) **Field of Classification Search** D16/200–205,
D16/208, 218; 348/373–376; 396/535–541
See application file for complete search history.

DESCRIPTION

FIG. 1 is a front, top and right side perspective view of a digital video camera showing my new design;

FIG. 2 is a front, top and right side perspective view of a digital video camera, showing the display monitor rotated hundred and eighty degrees;

FIG. 3 is a front elevational view thereof;

FIG. 4 is a rear elevational view thereof;

FIG. 5 is a top plan view thereof;

FIG. 6 is a bottom plan view thereof;

FIG. 7 is a left-side elevation view thereof;

FIG. 8 is a right-side elevation view thereof; and,

FIG. 9 is a right-side elevation view thereof, showing the liquid crystal display monitor opened.

(56) **References Cited**

U.S. PATENT DOCUMENTS

D521,041 S * 5/2006 Chung et al. D16/202
D544,514 S * 6/2007 Tanifuji et al. D16/202
D559,878 S * 1/2008 Sadatsuki D16/202
D561,800 S * 2/2008 Sadatsuki D16/202
D563,447 S * 3/2008 Narita et al. D16/202
D570,892 S * 6/2008 Naruki D16/202
D581,439 S * 11/2008 Narita et al. D16/202
D593,589 S * 6/2009 Tanifuji D16/202
2007/0153120 A1 * 7/2007 Kajikawa et al. 348/373

FOREIGN PATENT DOCUMENTS

JP D1302306 6/2007

1 Claim, 9 Drawing Sheets

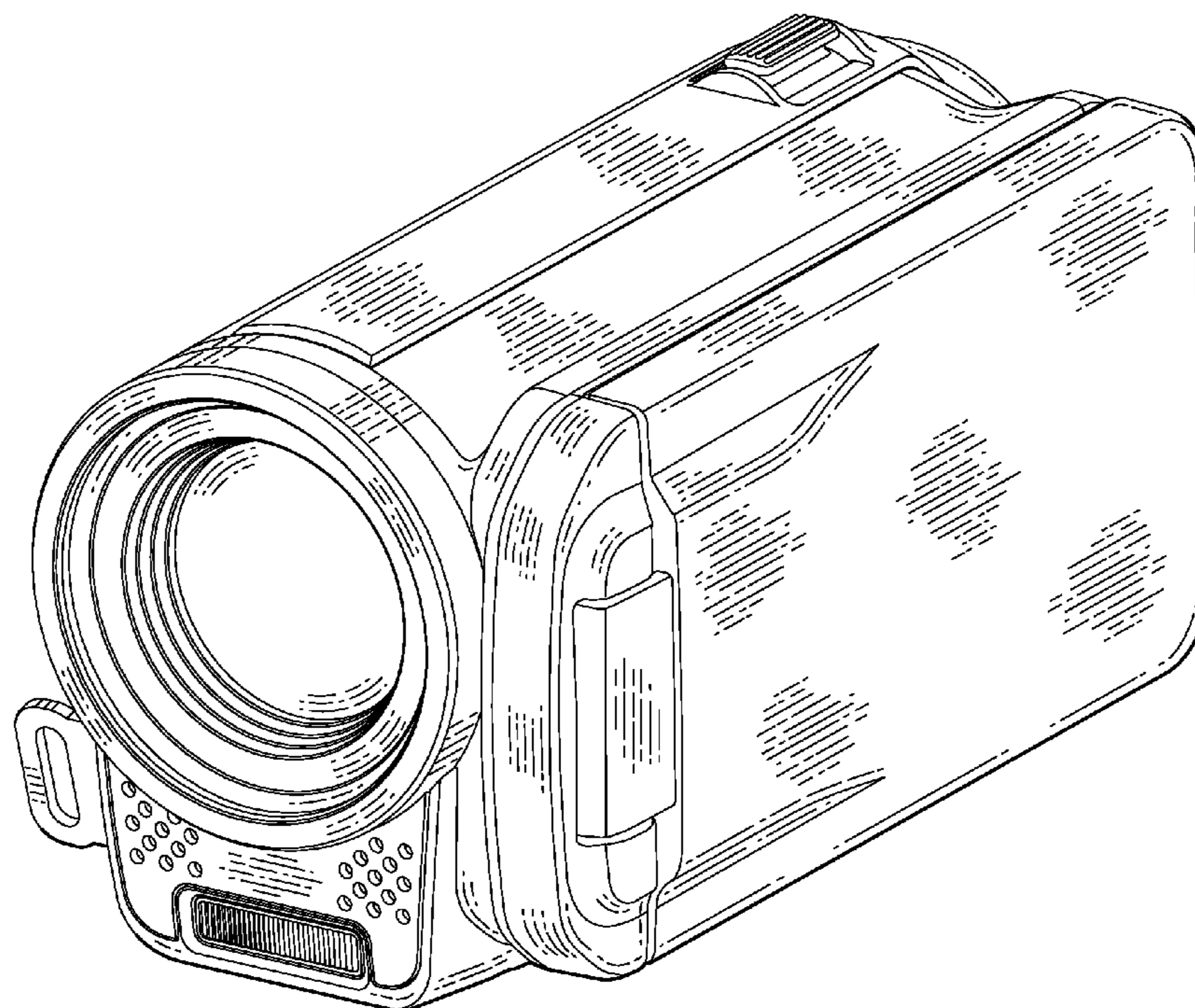


FIG. 1

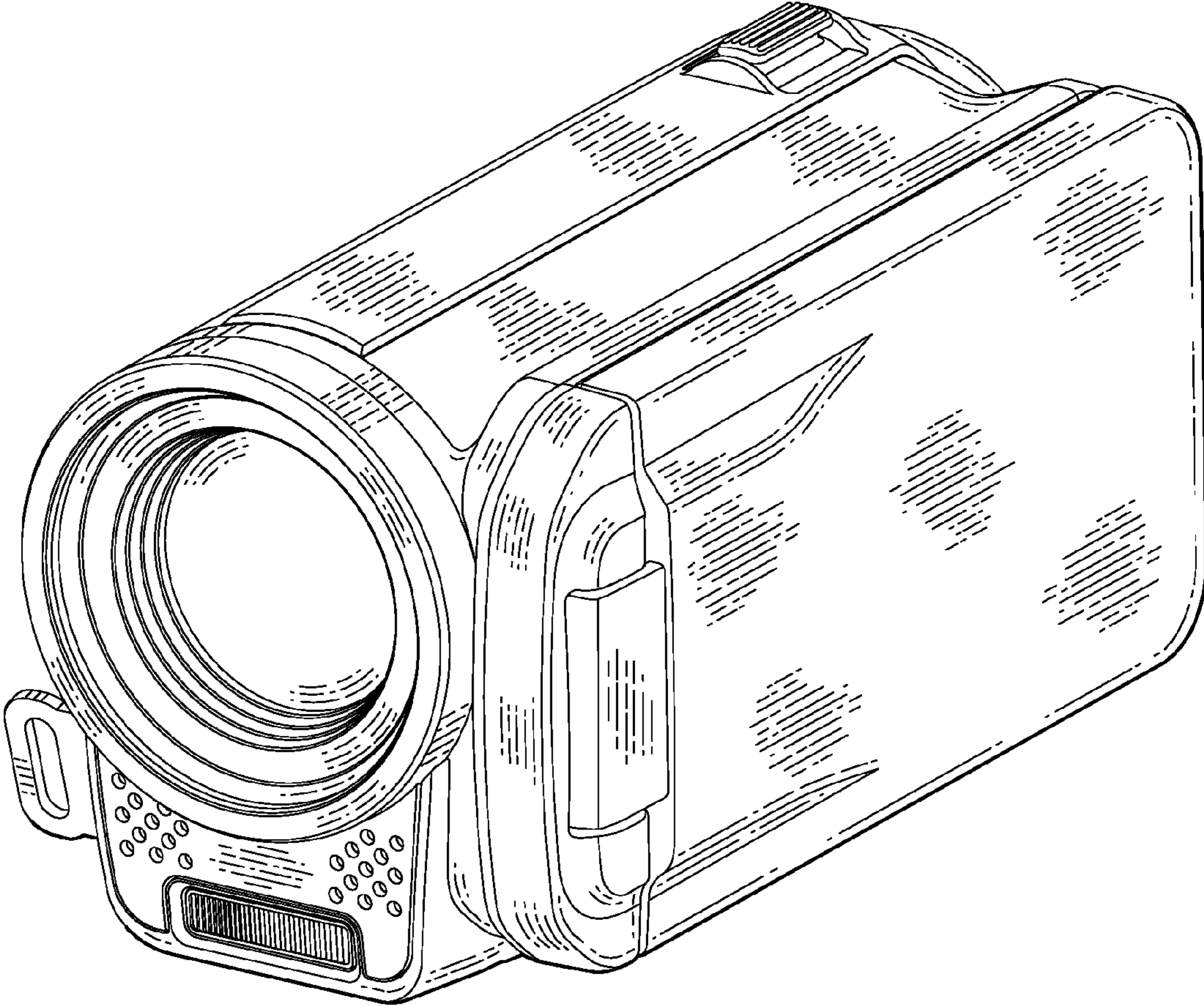


FIG. 2

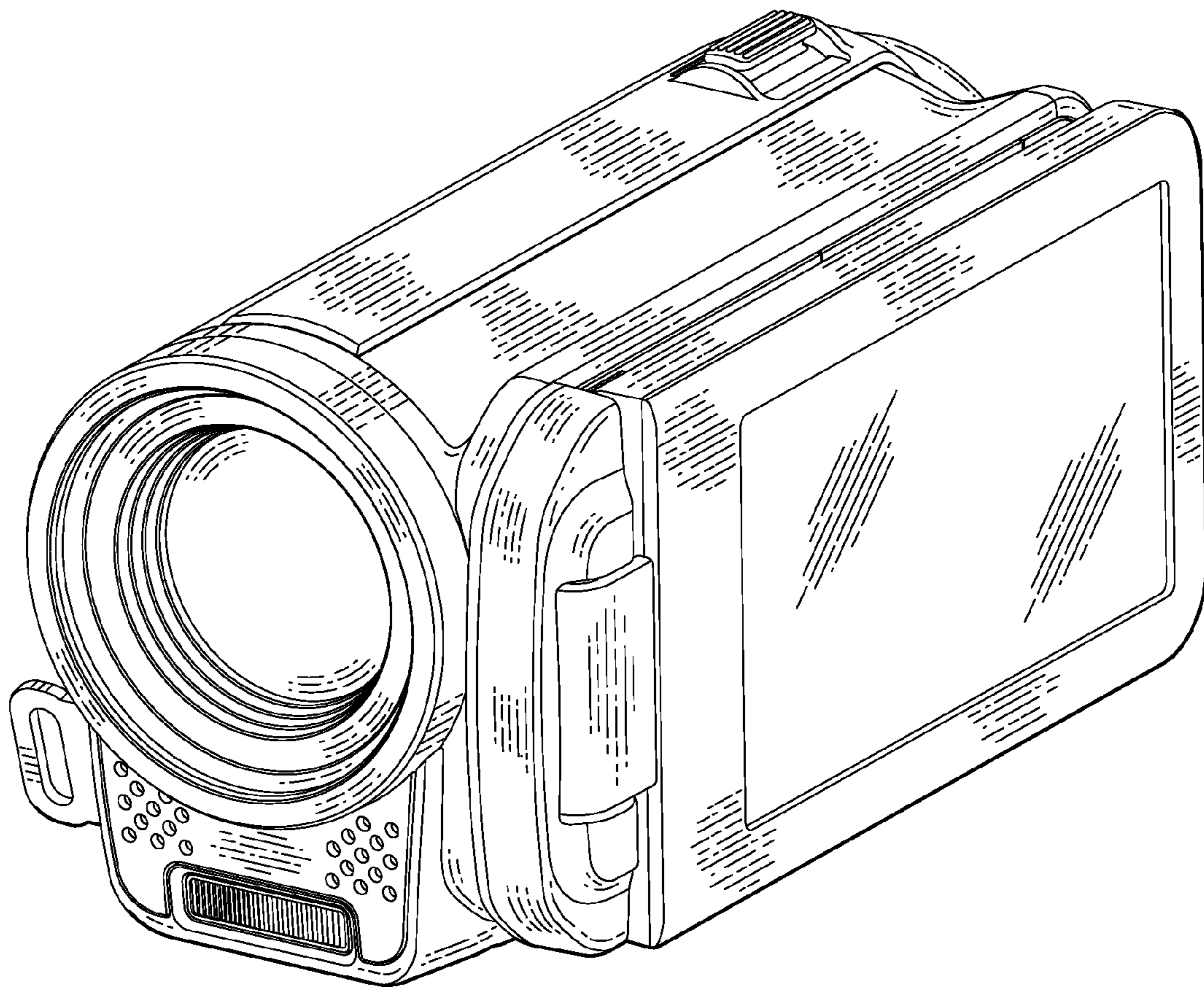


FIG. 3

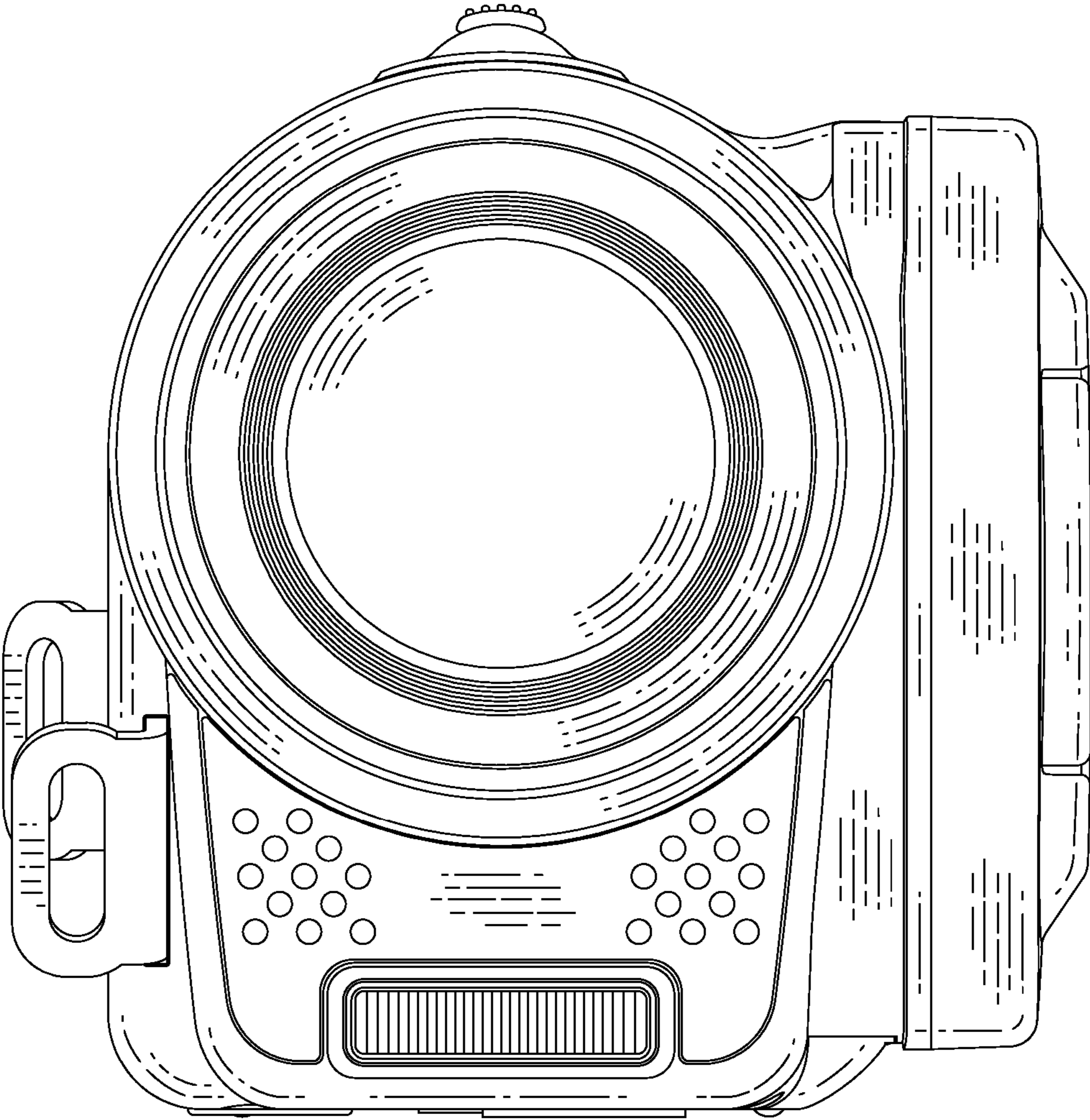


FIG. 4

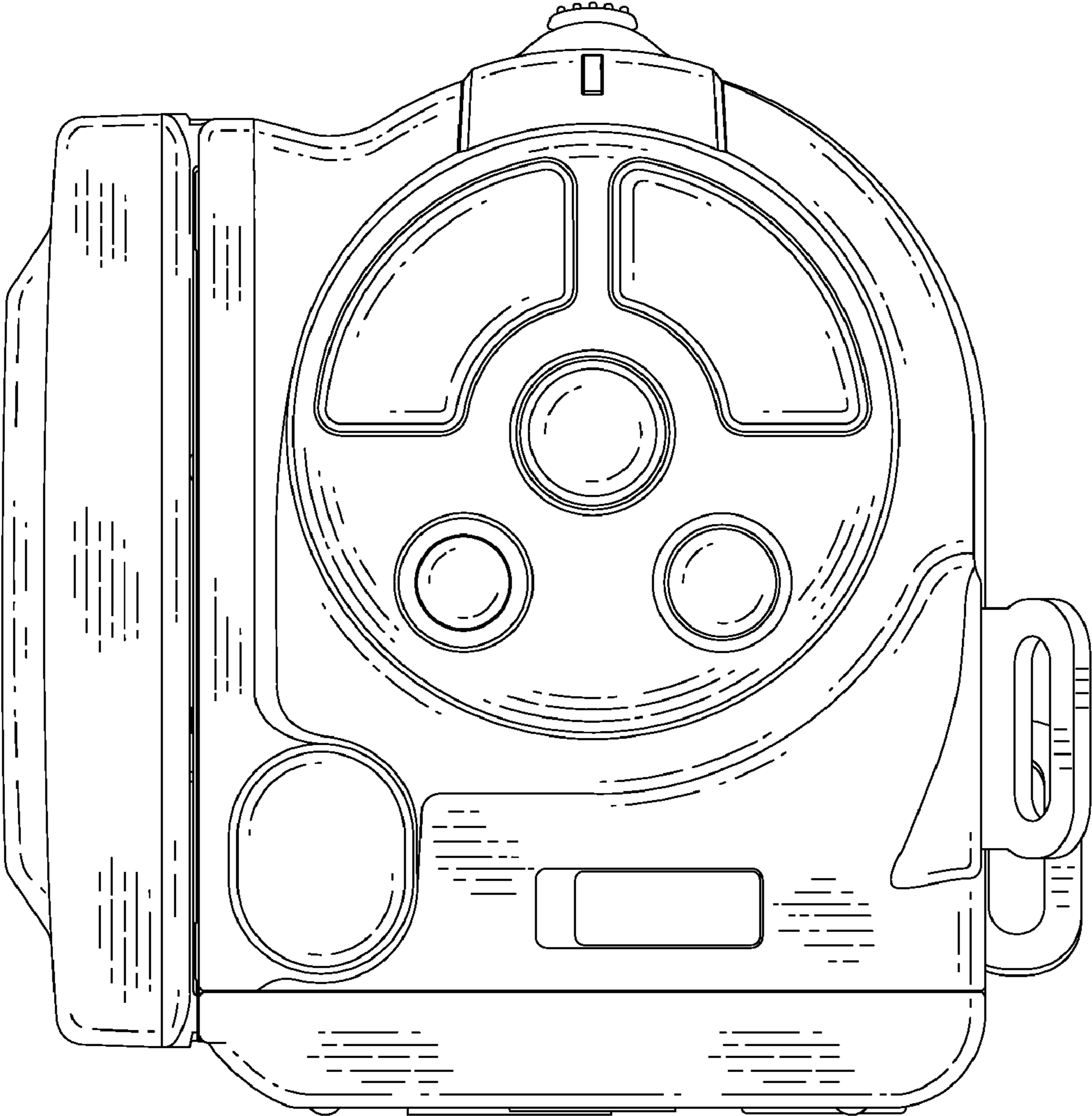


FIG. 5

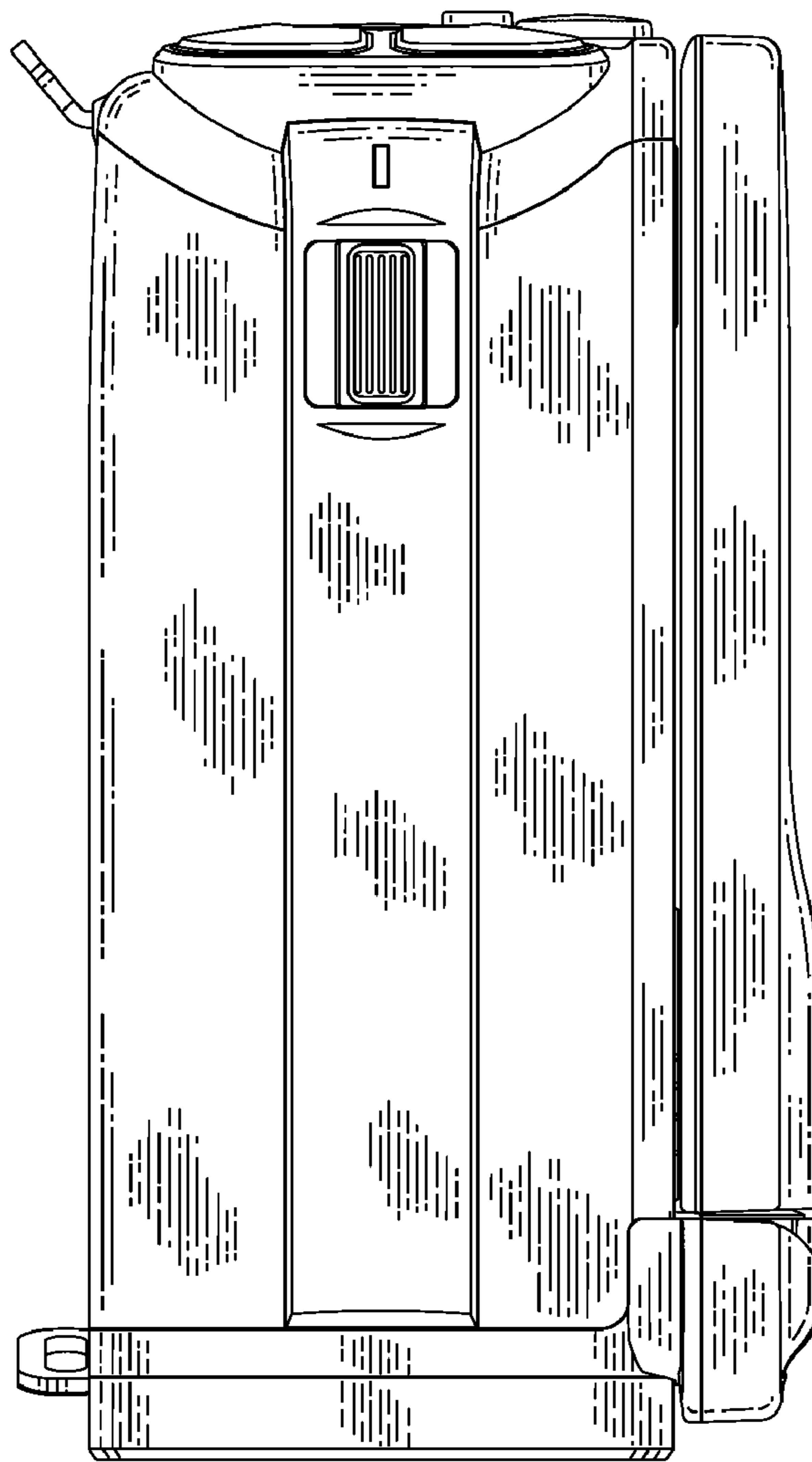


FIG. 6

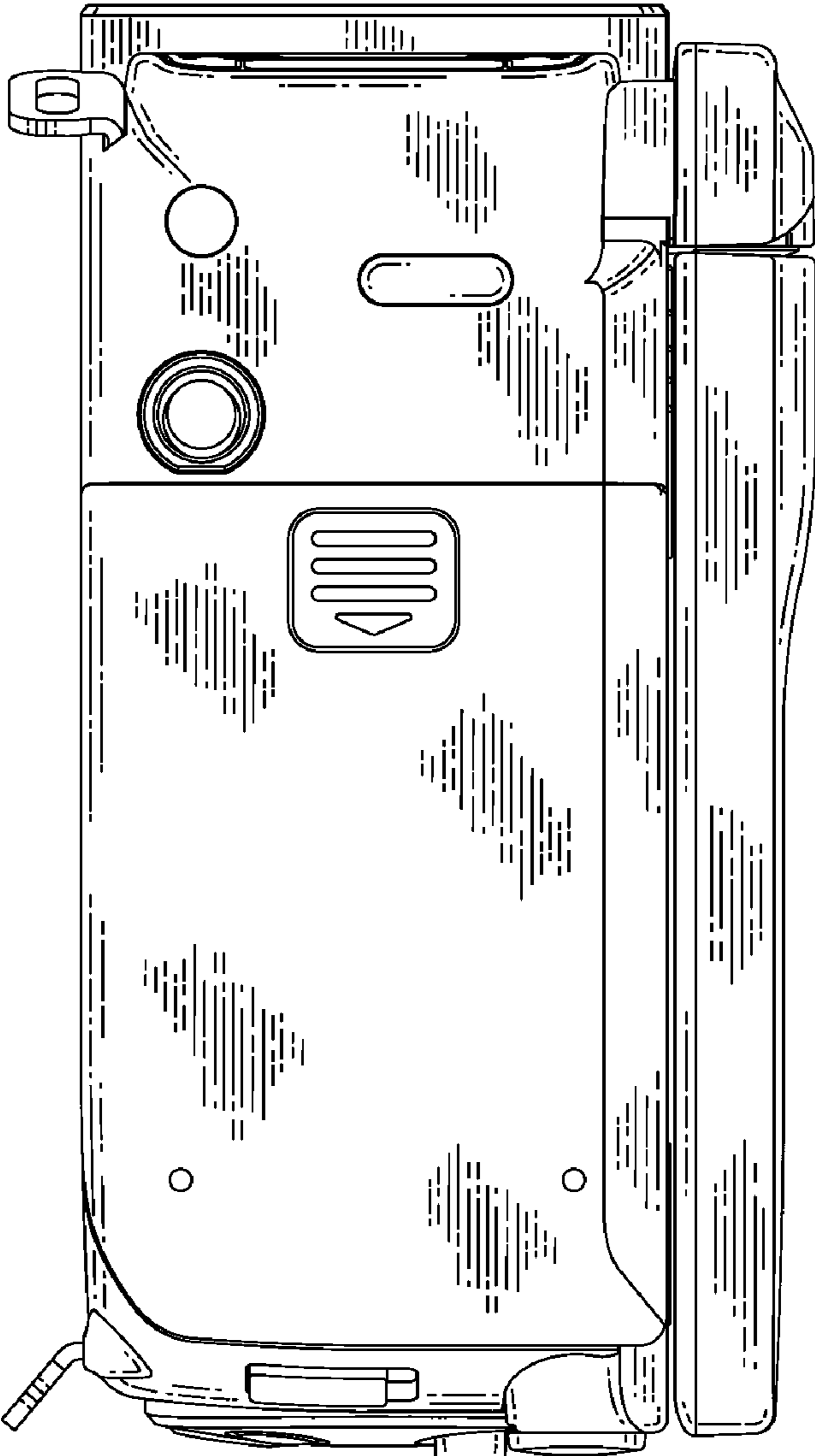


FIG. 7



FIG. 8

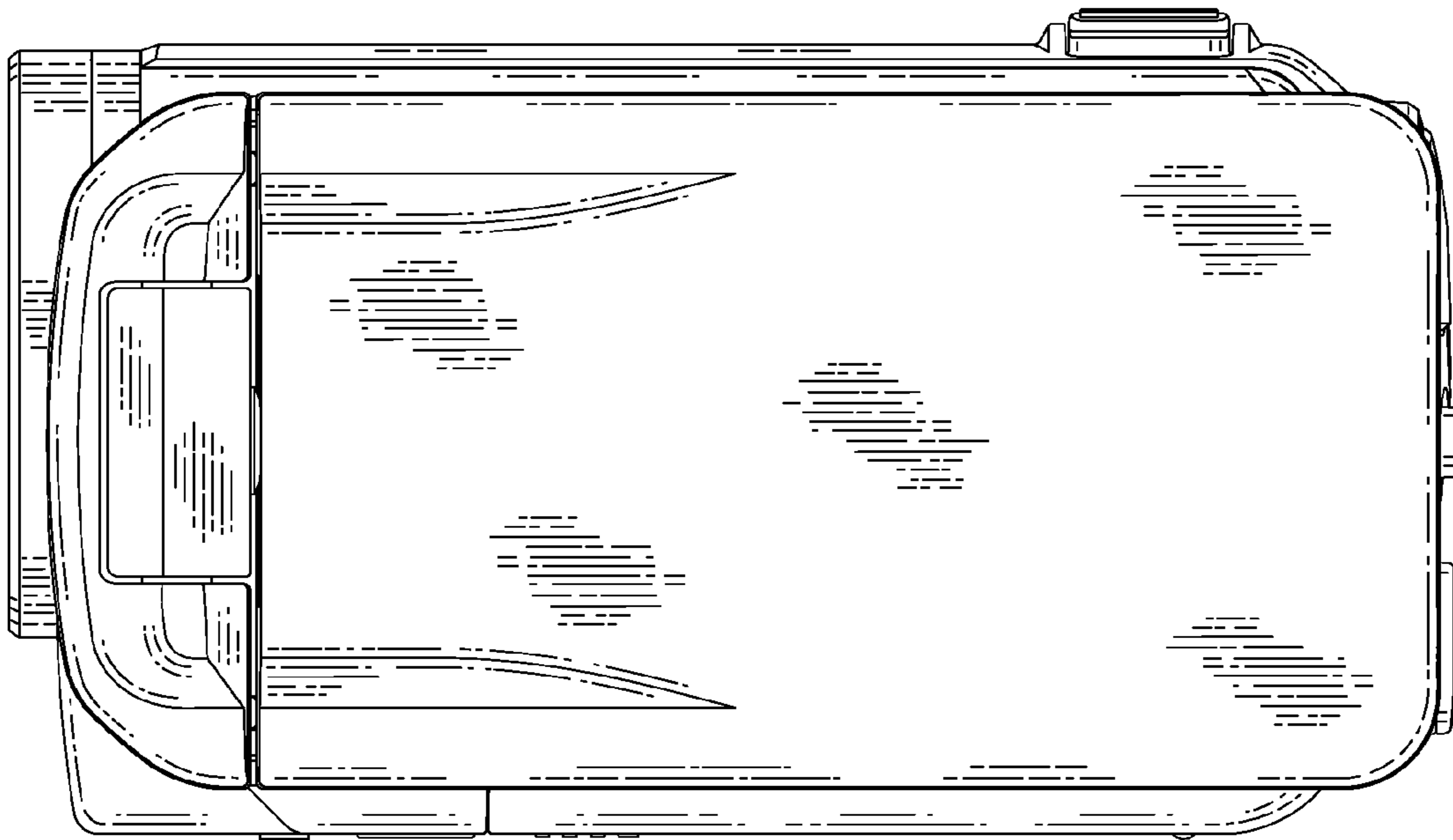


FIG.9

