

US00D609727S

(12) **United States Design Patent**
Adolfsson et al.

(10) **Patent No.:** **US D609,727 S**
(45) **Date of Patent:** **** Feb. 9, 2010**

(54) **HOUSING FOR A SURVEILLANCE CAMERA**

(75) Inventors: **Johan Adolfsson**, Södra Sandby (SE);
Elin Anneback, Malmö (SE); **Morten Bergstrom**, Bjärred (SE); **Alexander Rosenqvist**, Sjöbo (SE); **Joacim Tullberg**, Lund (SE)

(73) Assignee: **Axis AB**, Lund (SE)

(**) Term: **14 Years**

(21) Appl. No.: **29/329,577**

(22) Filed: **Dec. 18, 2008**

(30) **Foreign Application Priority Data**

Jul. 24, 2008 (EM) 000976113

(51) **LOC (9) Cl.** **16-01**

(52) **U.S. Cl.** **D16/200; D16/203**

(58) **Field of Classification Search** D16/200–205,
D16/208, 218; 348/143, 373–376; 358/909.1;
396/427, 535–541

See application file for complete search history.

(56) **References Cited**

U.S. PATENT DOCUMENTS

D224,982	S *	10/1972	Conner	D16/200
D296,551	S *	7/1988	Mizogui	D16/202
D381,348	S *	7/1997	Tanaka	D16/208
6,683,653	B1 *	1/2004	Miyake et al.	348/373
6,768,868	B1 *	7/2004	Schnell	396/427
D504,905	S *	5/2005	Tullberg et al.	D16/218

D519,141	S *	4/2006	Hayashi	D16/202
D542,820	S *	5/2007	Depay	D16/202
7,330,649	B2 *	2/2008	Finizio et al.	348/143
D591,321	S *	4/2009	Sheppard et al.	D16/202

OTHER PUBLICATIONS

U.S. Appl. No. 29/329,577, filed Dec. 18, 2008, Adolfsson, et al.
U.S. Appl. No. 29/329,578, filed Dec. 18, 2008, Adolfsson, et al.

* cited by examiner

Primary Examiner—Adir Aronovich

(74) *Attorney, Agent, or Firm*—Oblon, Spivak, McClelland, Maier & Neustadt, L.L.P.

(57) **CLAIM**

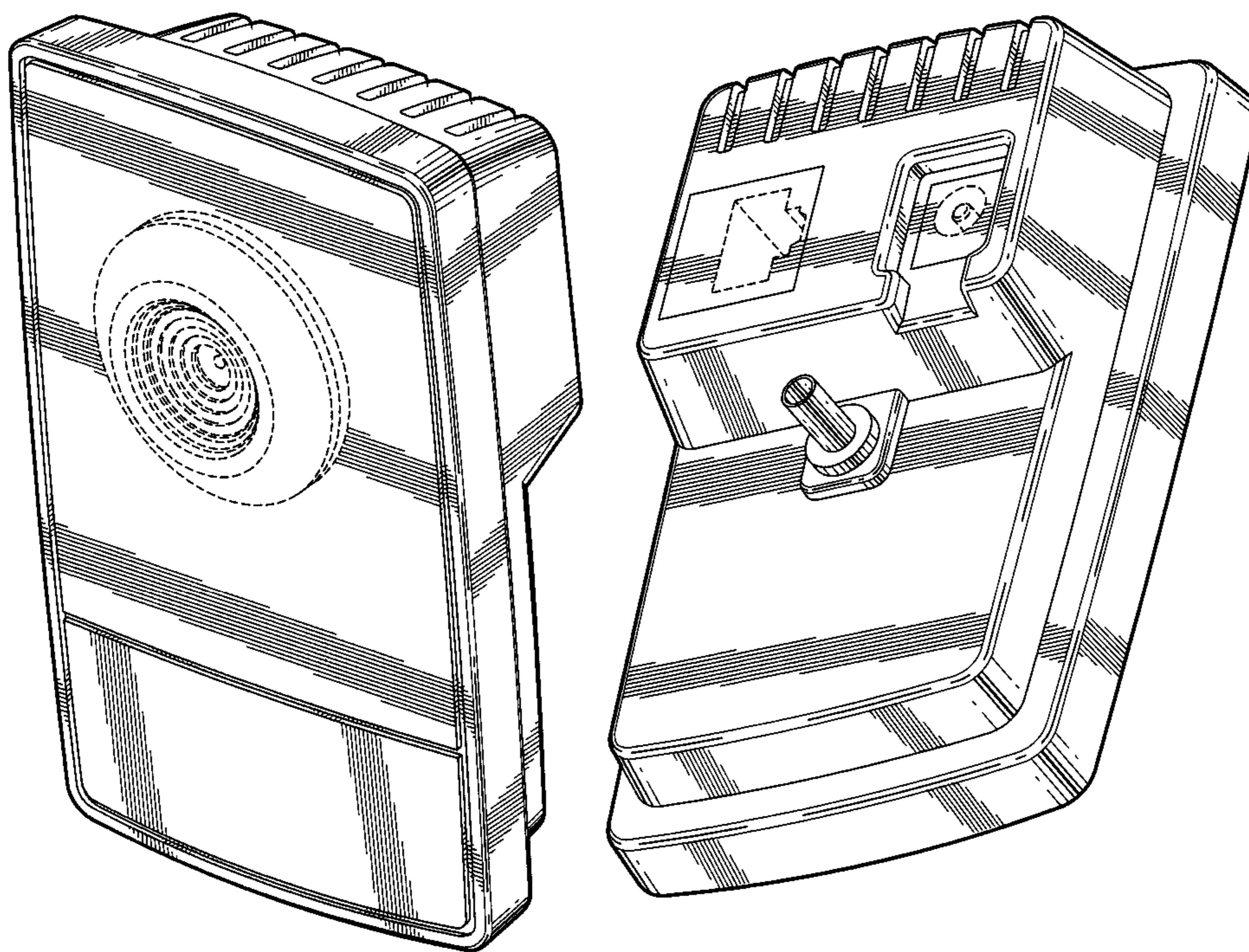
The ornamental design for a housing for a surveillance camera, as shown and described.

DESCRIPTION

FIG. 1 is a top, front and right side perspective view of a housing for a surveillance camera showing our new design; FIG. 2 is a bottom, rear perspective view thereof; FIG. 3 is a front elevational view thereof; FIG. 4 is rear elevational view thereof; FIG. 5 is a left side elevational view thereof; FIG. 6 is a top plan view thereof; and, FIG. 7 is a bottom plan view thereof.

The portions of the article in broken lines are shown for illustrative purposes only and form no part of the claimed design.

1 Claim, 7 Drawing Sheets



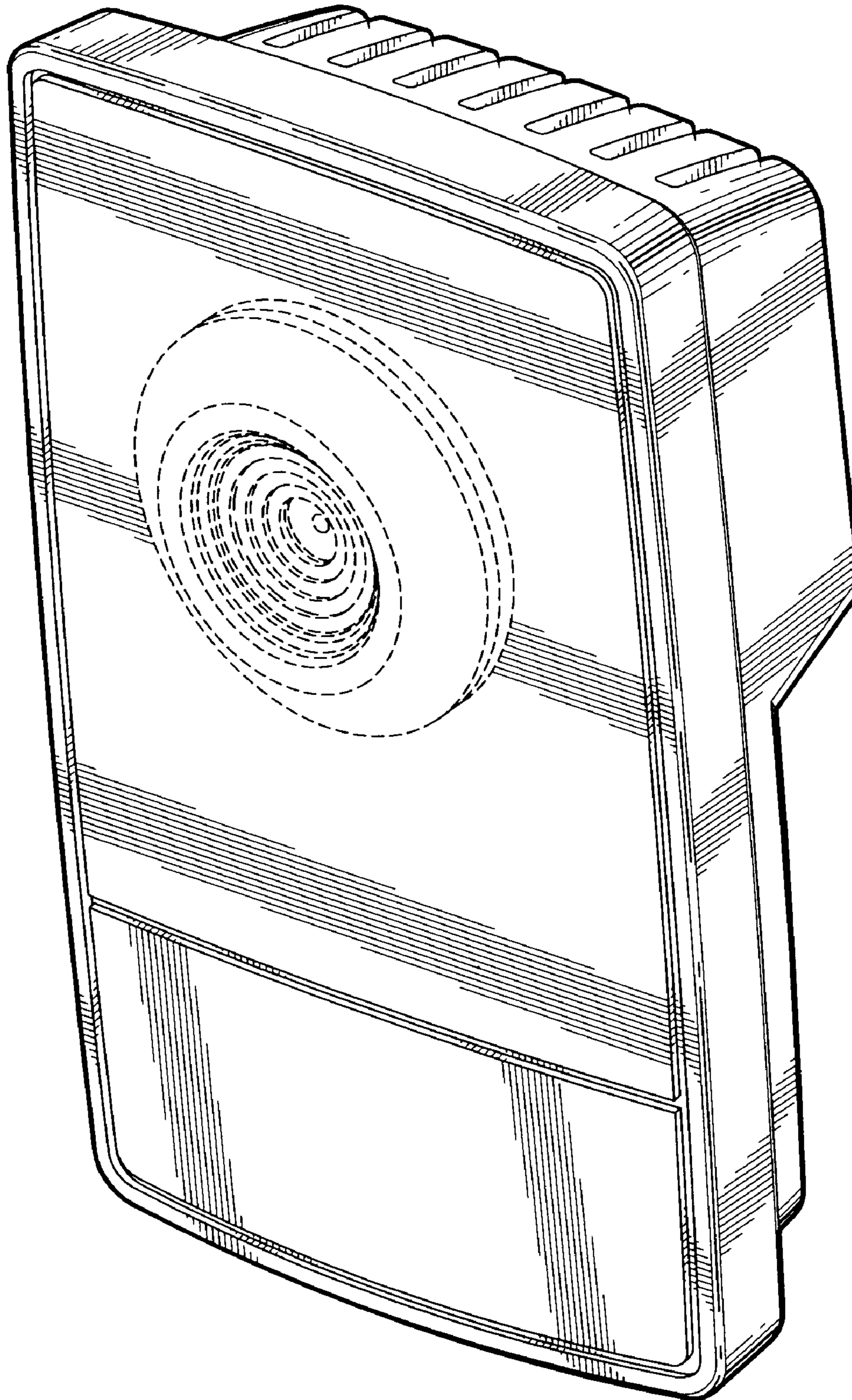


Fig. 1

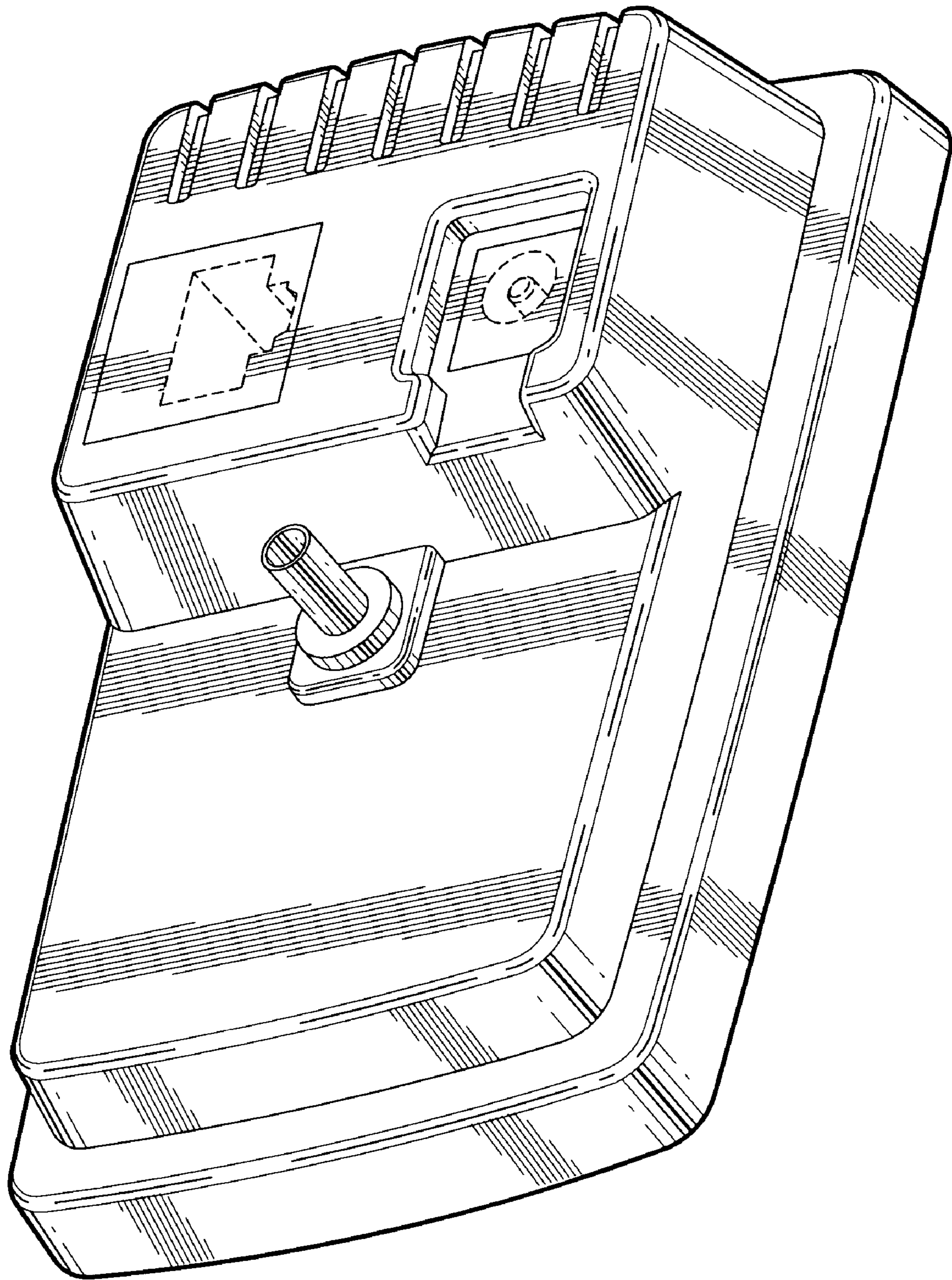


Fig. 2

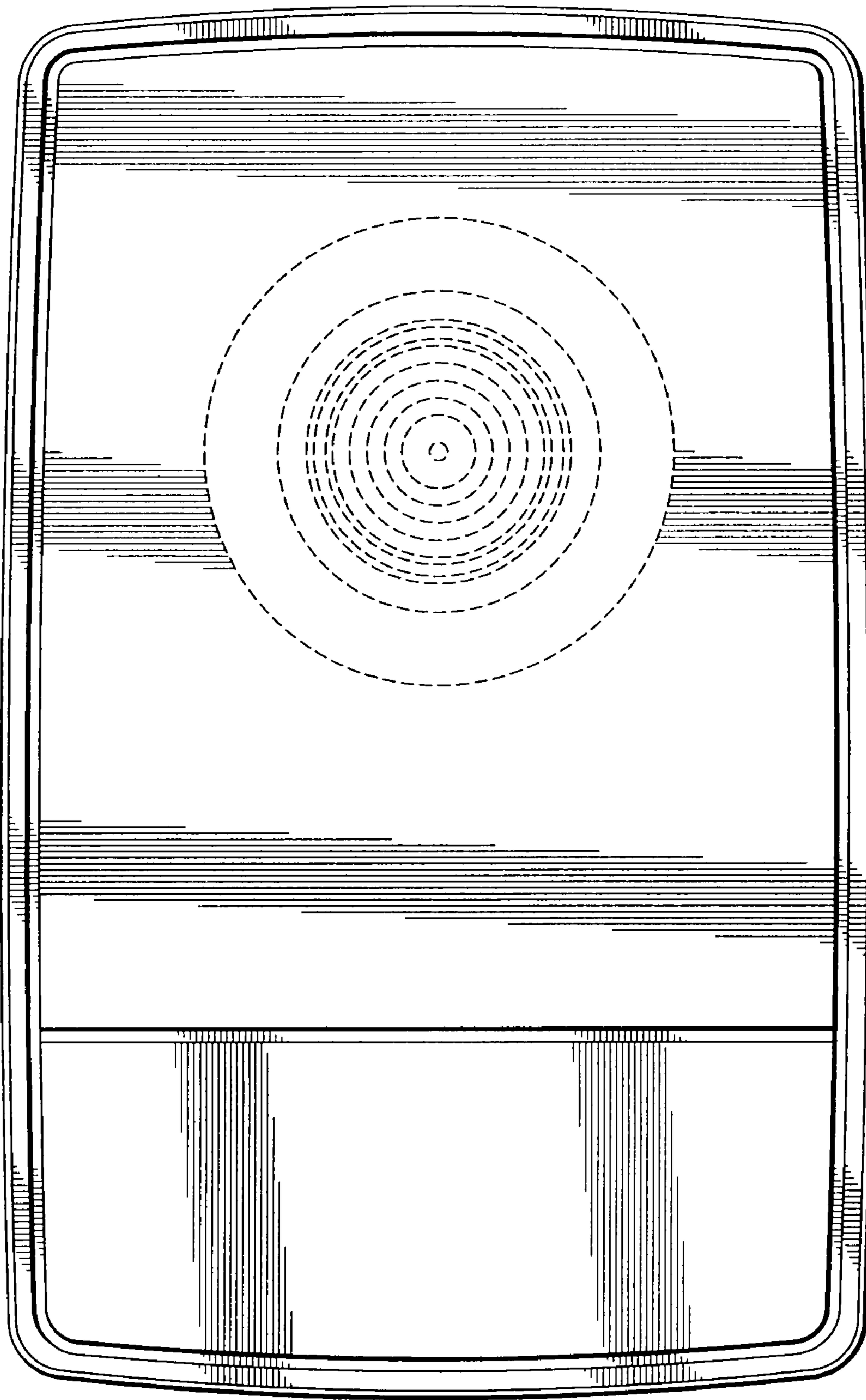


Fig. 3

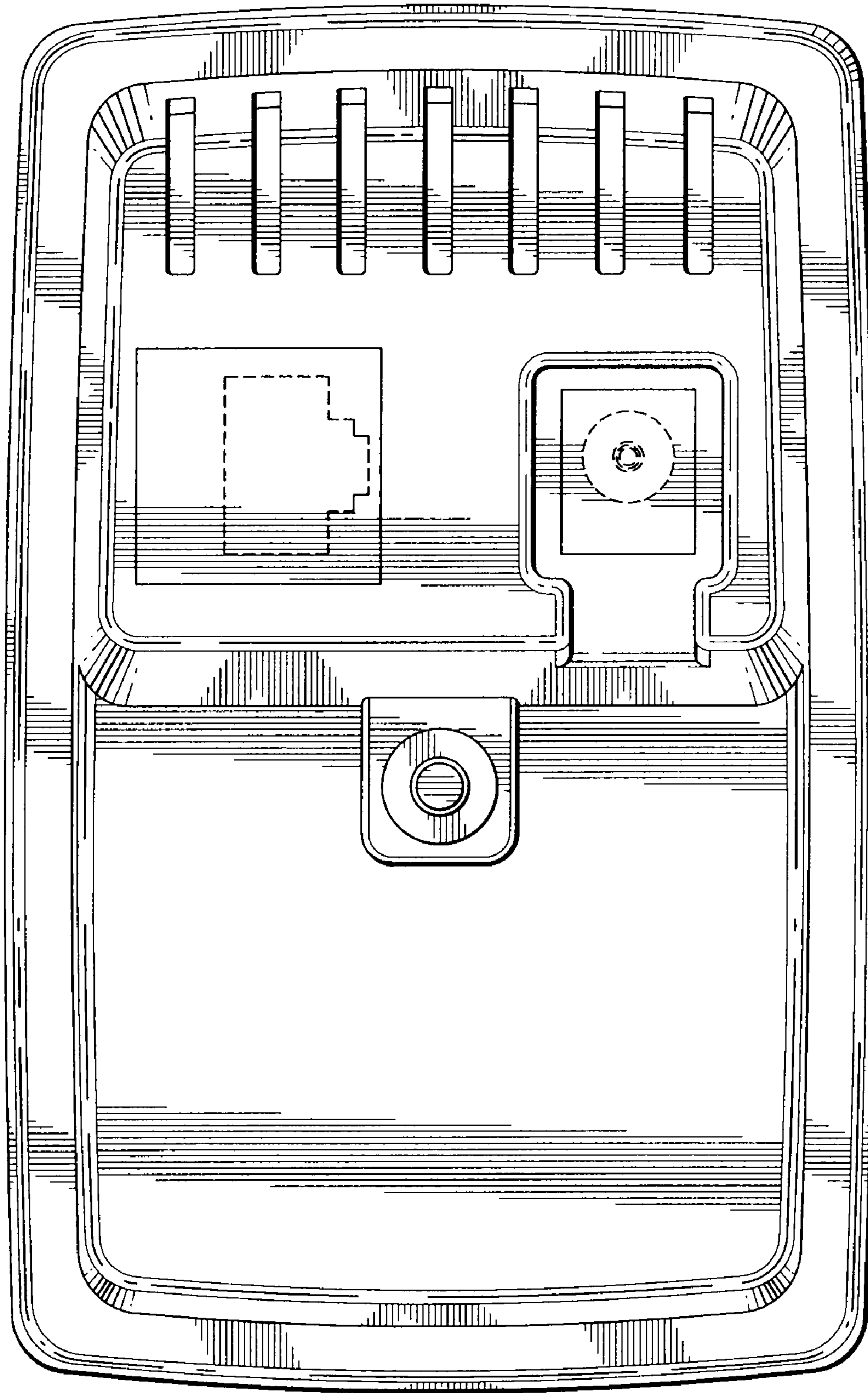


Fig. 4

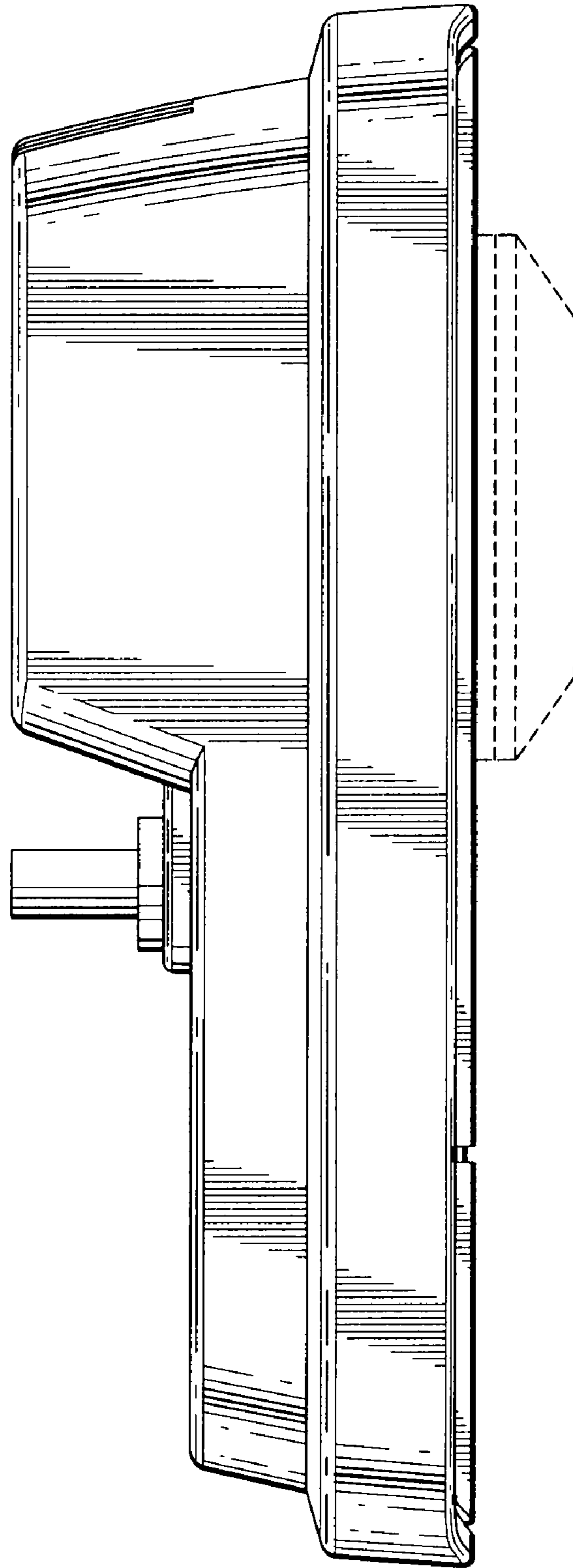


Fig. 5

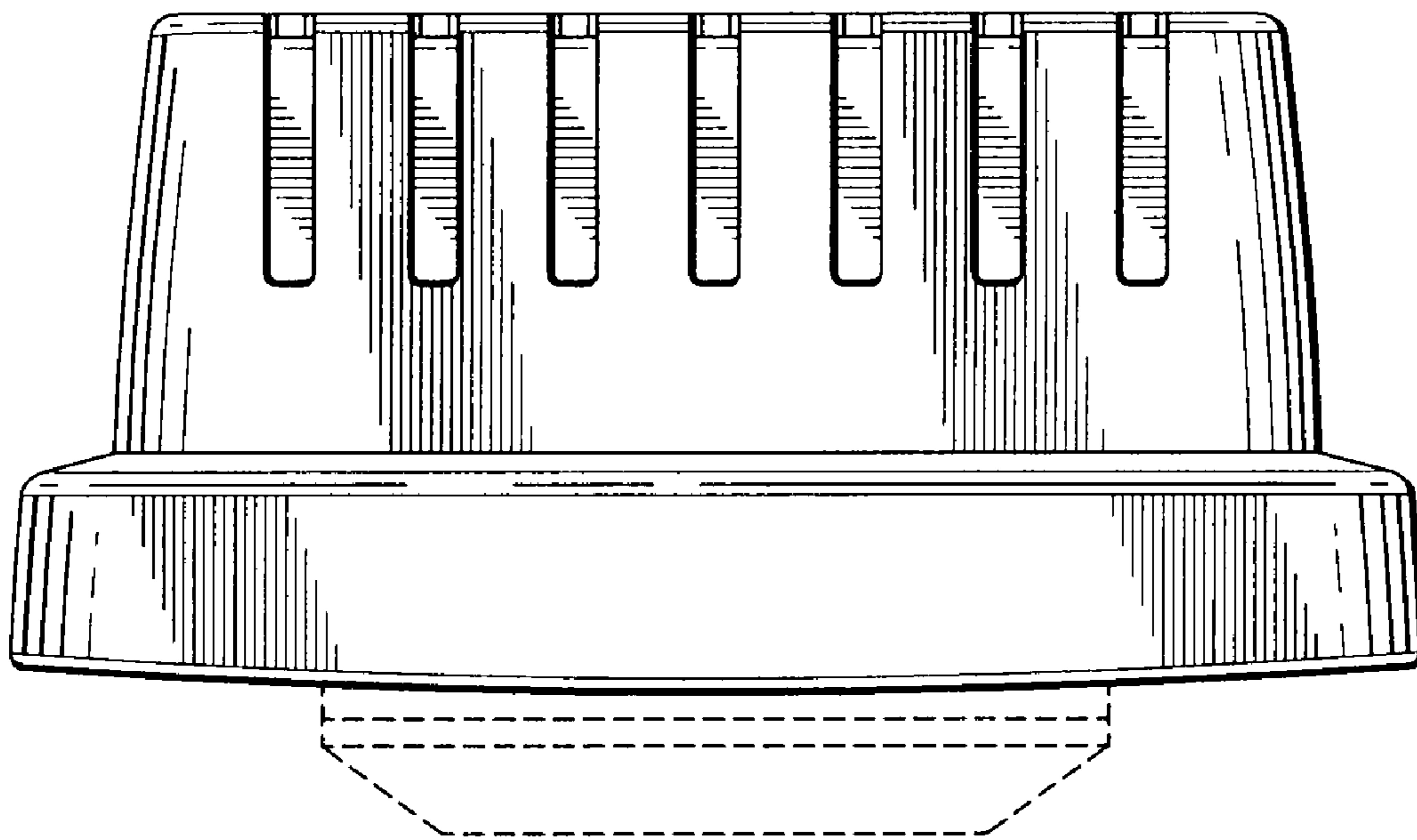


Fig. 6

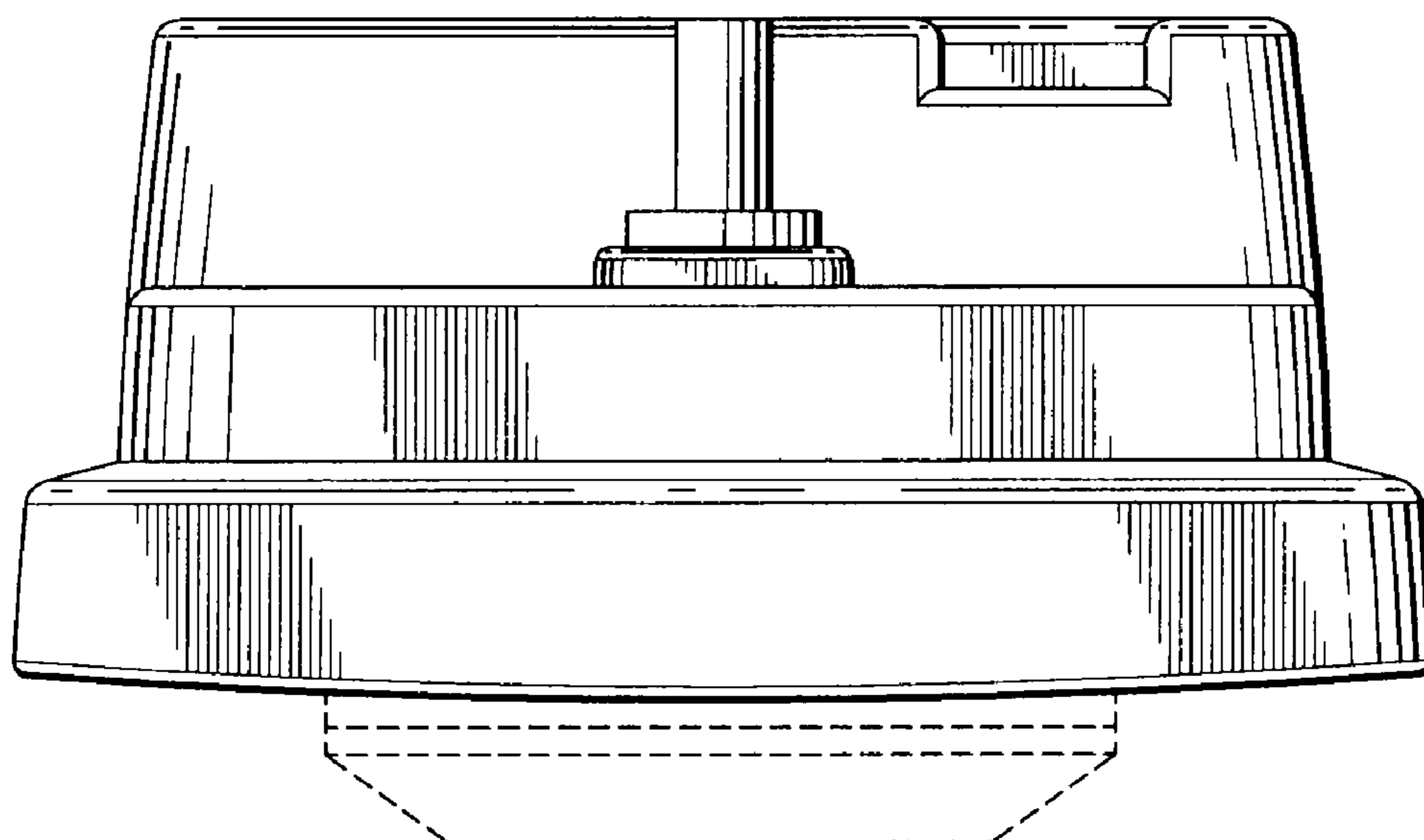


Fig. 7