



US00D609726S

(12) **United States Design Patent**
Windrich

(10) **Patent No.:** **US D609,726 S**

(45) **Date of Patent:** **** Feb. 9, 2010**

(54) **SAW FOR FIRE WOOD**

2001/0008098 A1* 7/2001 Dibbern et al. 83/471.3
2003/0209107 A1* 11/2003 Dibbern et al. 76/25.1

(75) Inventor: **Wolfgang Windrich**, Ichenhausen (DE)

* cited by examiner

(73) Assignee: **Scheppach Fabrikation von
Holzbearbeitungsmaschinen GmbH**,
Ichenhausen (DE)

Primary Examiner—Sandra Snapp
Assistant Examiner—Patricia Palasik
(74) *Attorney, Agent, or Firm*—Bacon & Thomas, PLLC

(**) Term: **14 Years**

(57) **CLAIM**

(21) Appl. No.: **29/311,567**

The ornamental design for a saw for fire wood, as shown and described.

(22) Filed: **Apr. 21, 2009**

(30) **Foreign Application Priority Data**

Jan. 12, 2009 (EM) 001 077 192

DESCRIPTION

(51) **LOC (9) Cl.** **15-09**

It should be noted that this application discloses a design which relates to that disclosed in a co-pending application No. 29/309,479, filed Aug. 22, 2008, both applications being commonly assigned.

(52) **U.S. Cl.** **D15/133**

(58) **Field of Classification Search** D8/61,
D8/64-69; D15/133, 134; 30/377-378,
30/388-391; 83/377, 378, 388, 397, 468.3,
83/469

FIG. 1 a left side elevation view of the saw according to the invention;

See application file for complete search history.

FIG. 2 a rear elevation view of the saw according to the present invention;

(56) **References Cited**

U.S. PATENT DOCUMENTS

D282,346 S *	1/1986	Pioch	D8/66
5,484,003 A *	1/1996	Bisel	144/287
D372,484 S *	8/1996	Price et al.	D15/133
D409,066 S *	5/1999	Welsh	D8/66
D415,001 S *	10/1999	Welsh	D8/66
D470,158 S *	2/2003	English	D15/133
6,763,751 B2 *	7/2004	Judge	83/471.3

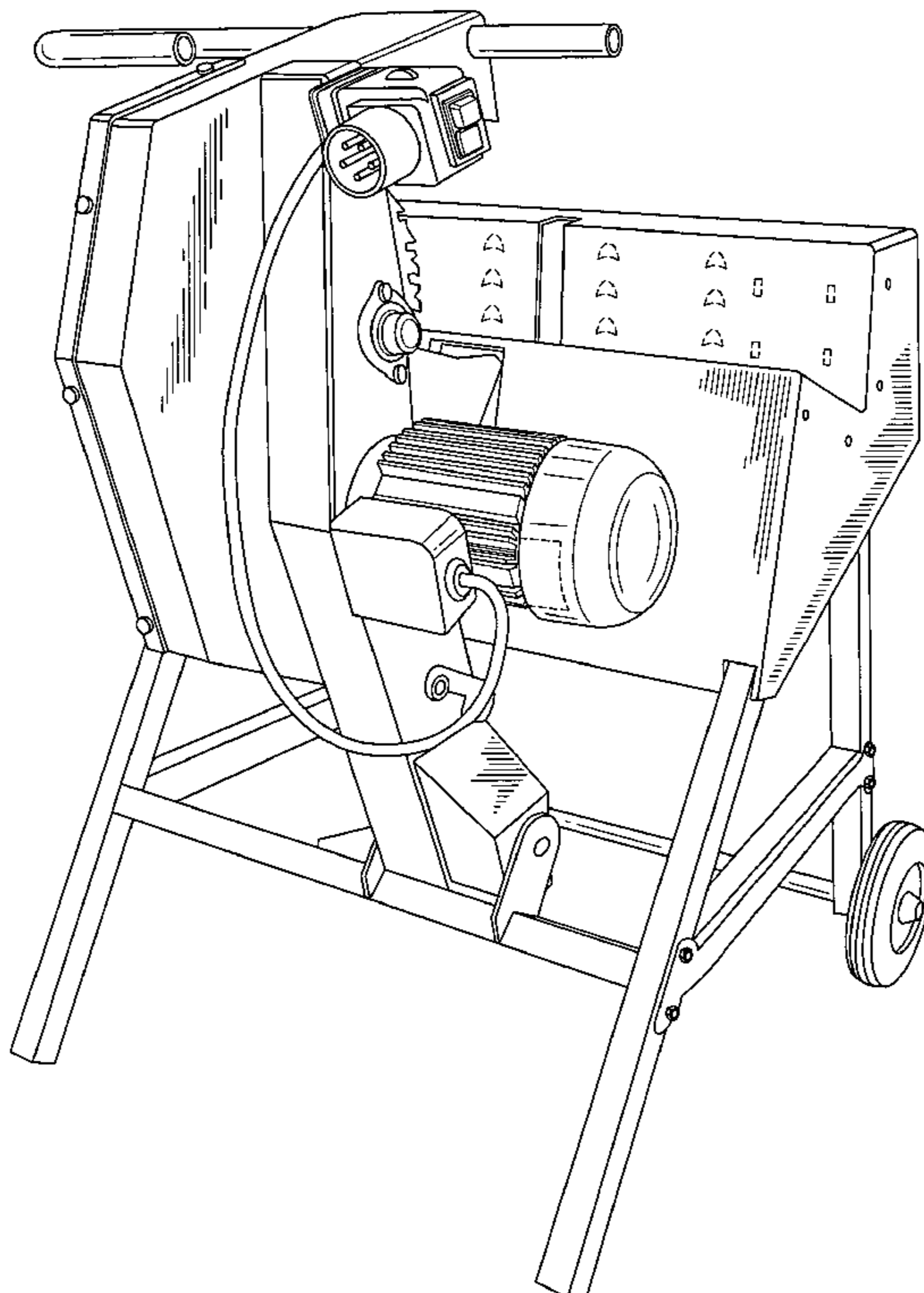
FIG. 3 a front perspective view of the saw according to the present invention;

FIG. 4 a rear elevation view of the saw according to the present invention;

FIG. 5 a front elevation view of the saw according to the present invention; and,

FIG. 6 a top view of the saw according to the present invention.

1 Claim, 6 Drawing Sheets



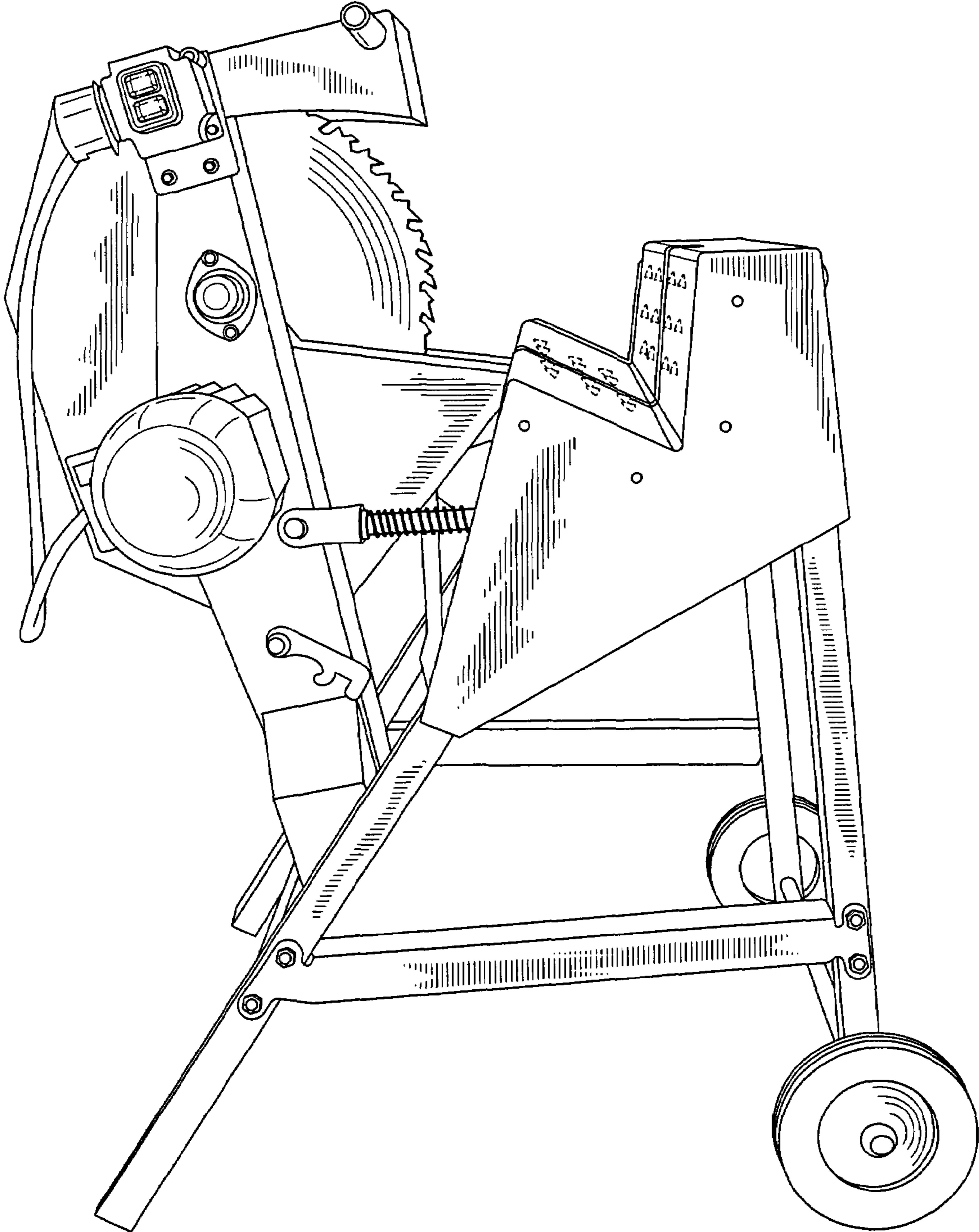


FIG. 1

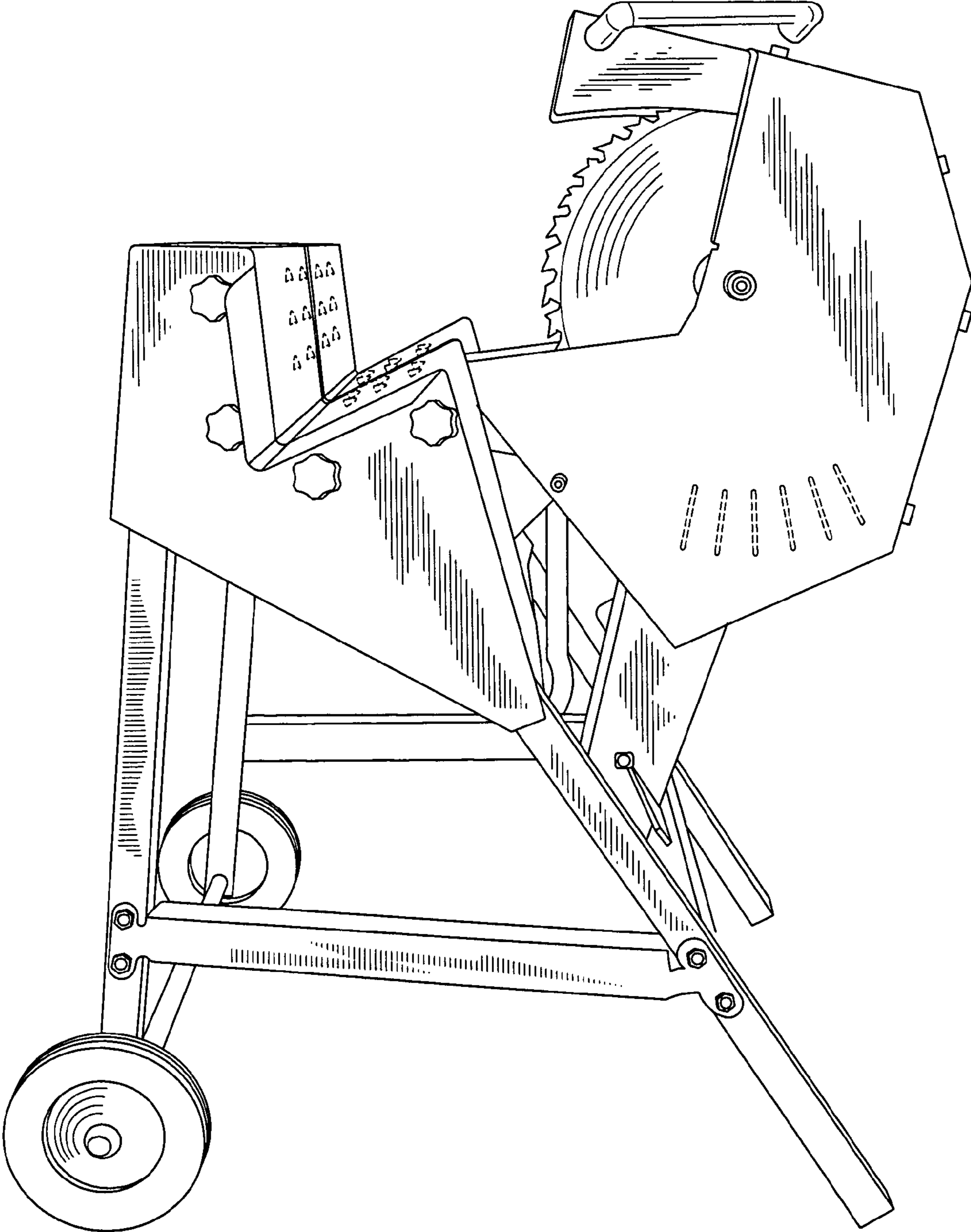


FIG. 2

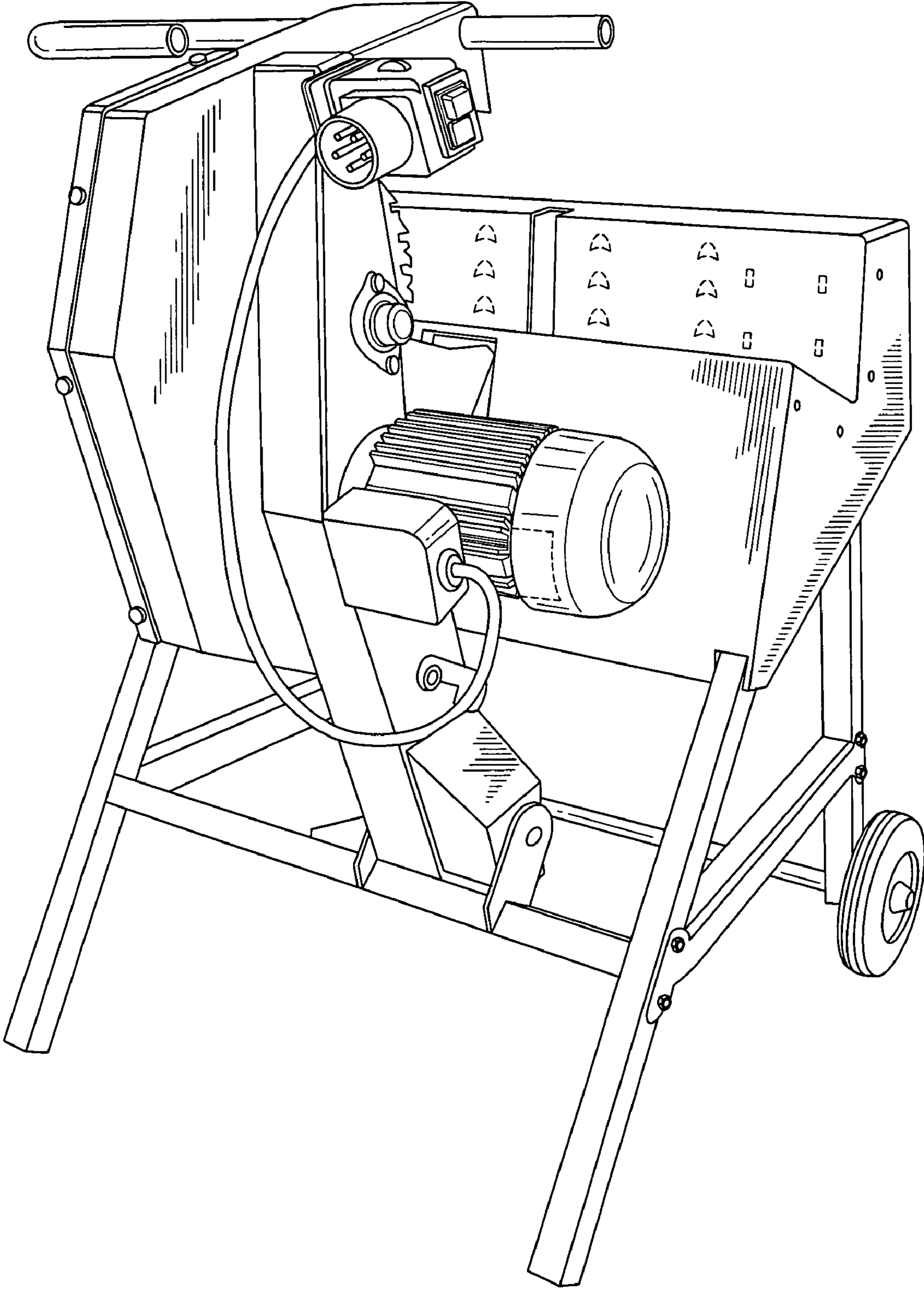


FIG. 3

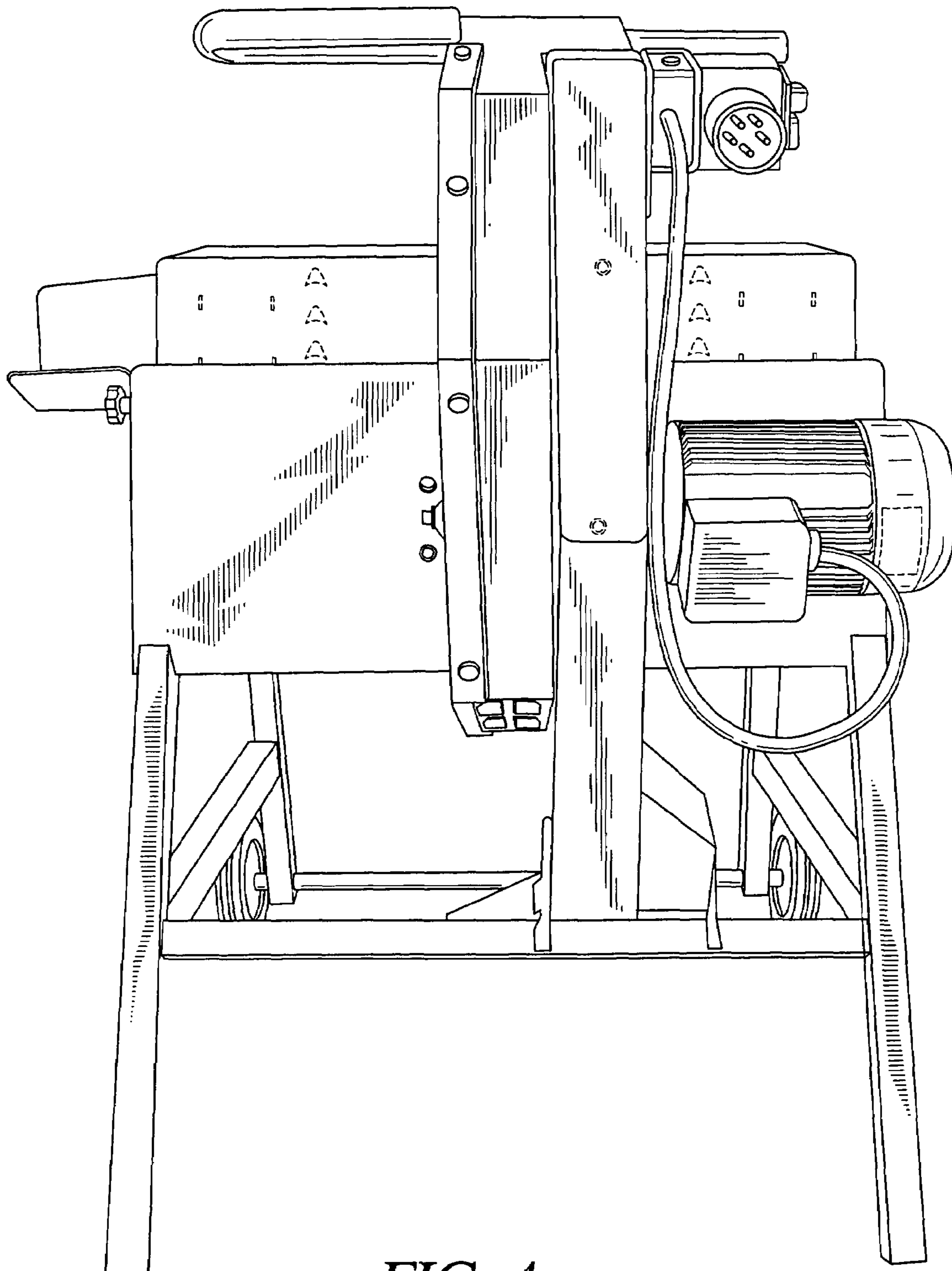


FIG. 4

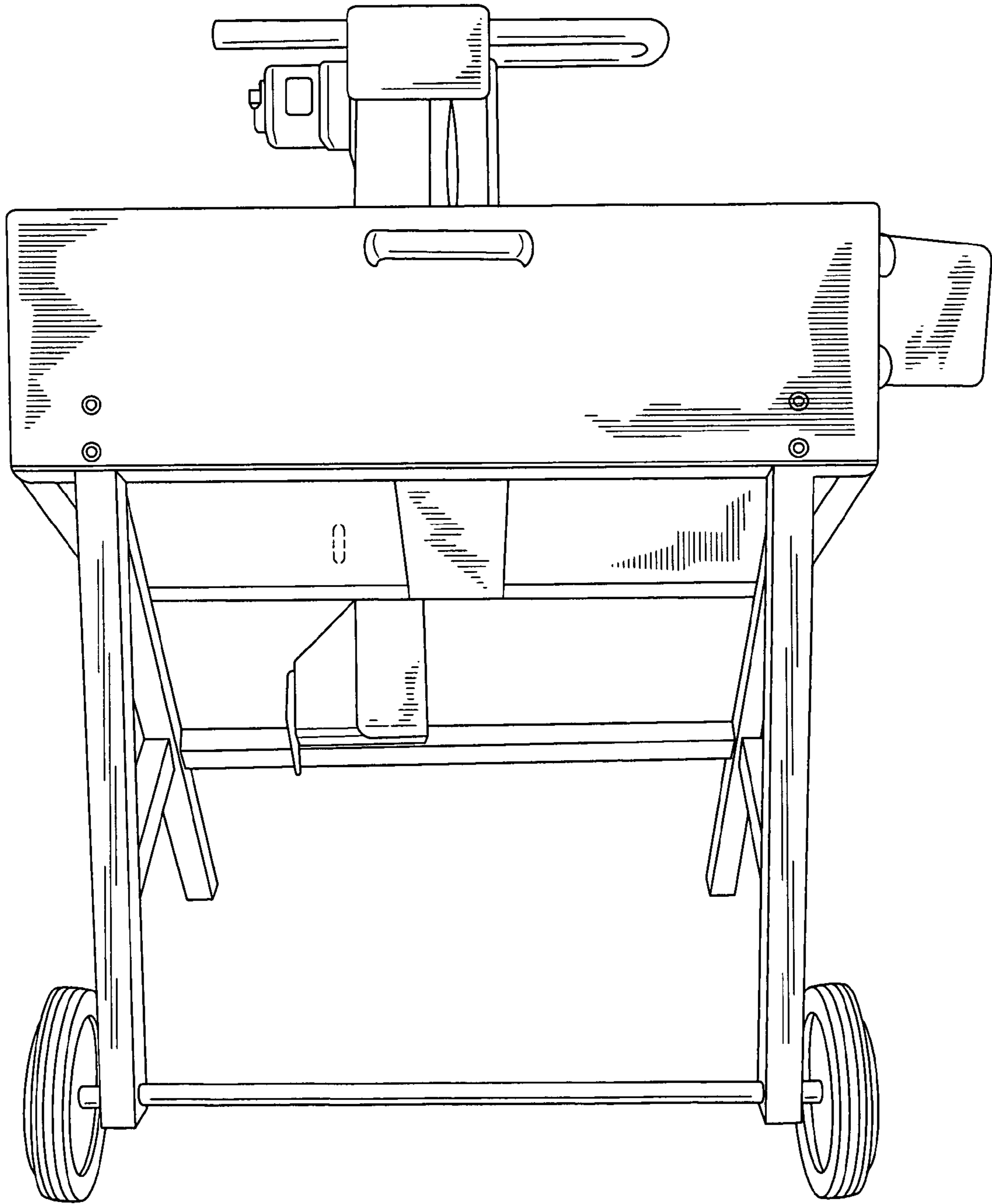


FIG. 5

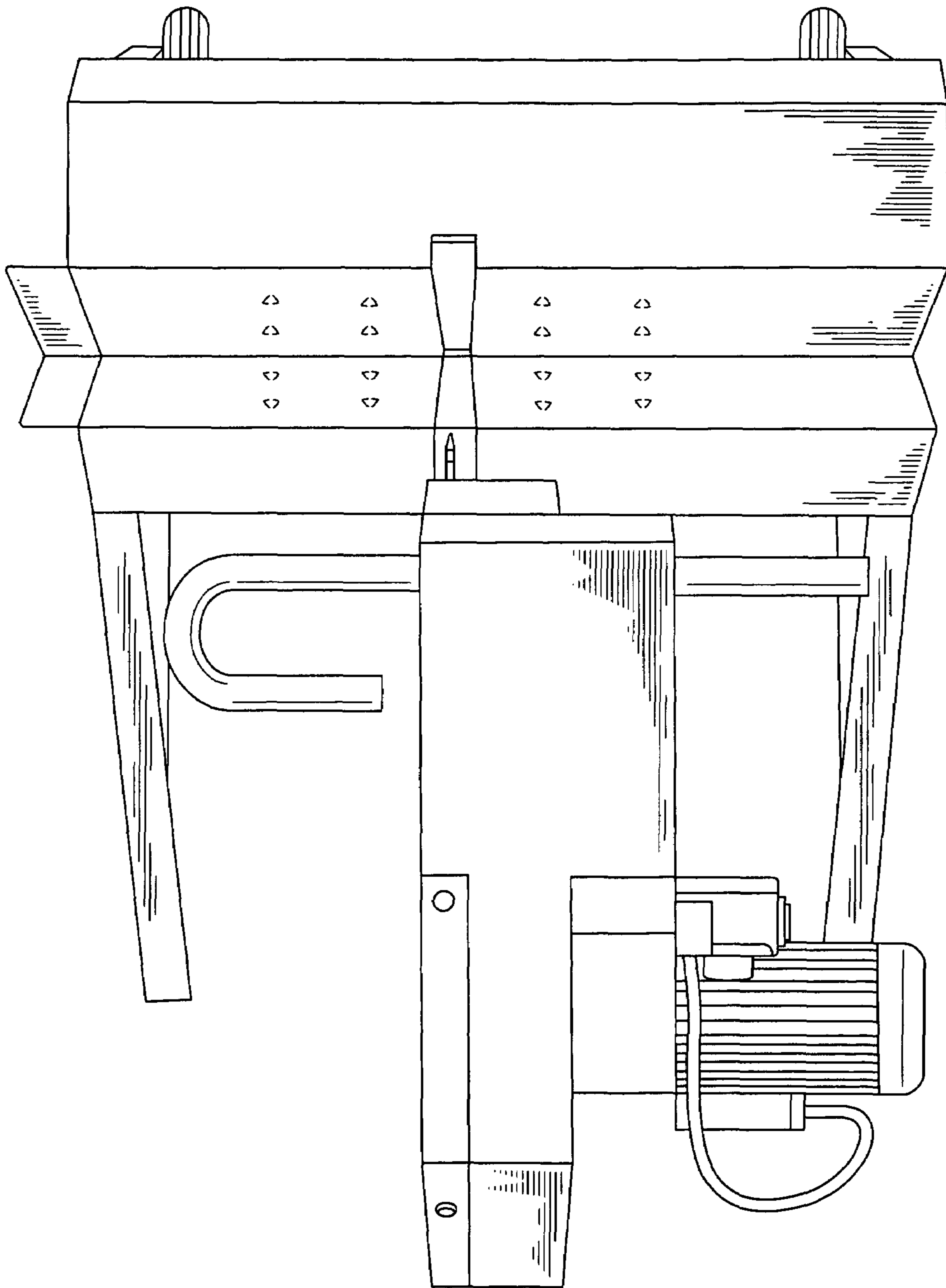


FIG. 6