



US00D609725S

(12) **United States Design Patent**
Price et al.

(10) **Patent No.:** **US D609,725 S**
(45) **Date of Patent:** **** Feb. 9, 2010**

(54) **BENCHTOP SANDING BOARD HAVING A COOPERATING SLOT AND CLAMP TO RETAIN AN ABRASIVE SHEET**

(76) Inventors: **Roger Price**, 166 Laurance La., Ridge, NY (US) 11961; **Patrick W. Price**, 55 Amy Dr., Sayville, NY (US) 11782; **Thomas M. Price**, 17 Leary La., Nesconset, NY (US) 11767; **Brian Price**, 17 Leary La., Nesconset, NY (US) 11767

(**) Term: **14 Years**

(21) Appl. No.: **29/336,773**

(22) Filed: **May 8, 2009**

(51) **LOC (9) Cl.** **15-09**

(52) **U.S. Cl.** **D15/125**

(58) **Field of Classification Search** D8/90, D8/91; D15/124, 125, 126; 451/5, 8, 24, 451/26, 178, 241, 295, 296, 300, 340, 358, 451/360, 363, 496, 499, 541

See application file for complete search history.

(56) **References Cited**

U.S. PATENT DOCUMENTS

378,522	A	2/1888	Prevost	
2,145,980	A	2/1939	Hadwiger et al.	
2,523,697	A	9/1950	Harrington	
2,817,931	A	12/1957	Houser	
2,885,835	A	5/1959	Whitaker	
3,796,013	A	3/1974	Brown	
D289,489	S	4/1987	Atkinson	
4,924,633	A *	5/1990	Hock et al.	451/303
5,531,636	A *	7/1996	Bissen	451/130
D421,445	S *	3/2000	Huang	D15/124
D481,284	S	10/2003	Hoek	
7,025,666	B1 *	4/2006	Wang	451/296
7,090,571	B1 *	8/2006	Wang	451/296
7,125,323	B1 *	10/2006	Chuang	451/130

7,207,875	B2 *	4/2007	Melvin et al.	451/360
7,273,410	B1 *	9/2007	Wang et al.	451/311
D562,855	S *	2/2008	Leasure et al.	D15/124
7,422,515	B1 *	9/2008	Chang	451/297
7,431,636	B2 *	10/2008	Chuang	451/184
2002/0151261	A1 *	10/2002	Liou	451/311
2004/0251393	A1 *	12/2004	Brockmann	248/671
2007/0032181	A1 *	2/2007	Liu	451/304
2008/0207096	A1 *	8/2008	Chang	451/297

* cited by examiner

Primary Examiner—Sandra Snapp

Assistant Examiner—Patricia Palasik

(74) *Attorney, Agent, or Firm*—Keusey & Associates, P.C.

(57) **CLAIM**

We claim the ornamental design for a benchtop sanding board having a cooperating slot and clamp to retain an abrasive sheet, as shown and described.

DESCRIPTION

FIG. 1 is a front top left perspective view of our new design for a benchtop sanding board having a cooperating slot and clamp to retain an abrasive sheet.

FIG. 2 is a top plan view thereof.

FIG. 3 is a left side elevational view thereof.

FIG. 4 is a bottom view thereof.

FIG. 5 is a right side elevational view thereof.

FIG. 6 is a front side elevational view thereof.

FIG. 7 is a back side elevational view thereof; and,

FIG. 8 is a front top left perspective view showing an abrasive sheet retained on the sanding board by the slot and clamp, wherein the abrasive sheet is environmental structure for illustrative purposes only and forms no part of the claimed design, and wherein the partial benchtop shown in broken line is environmental structure for illustrative purposes only and forms no part of the claimed design.

1 Claim, 3 Drawing Sheets

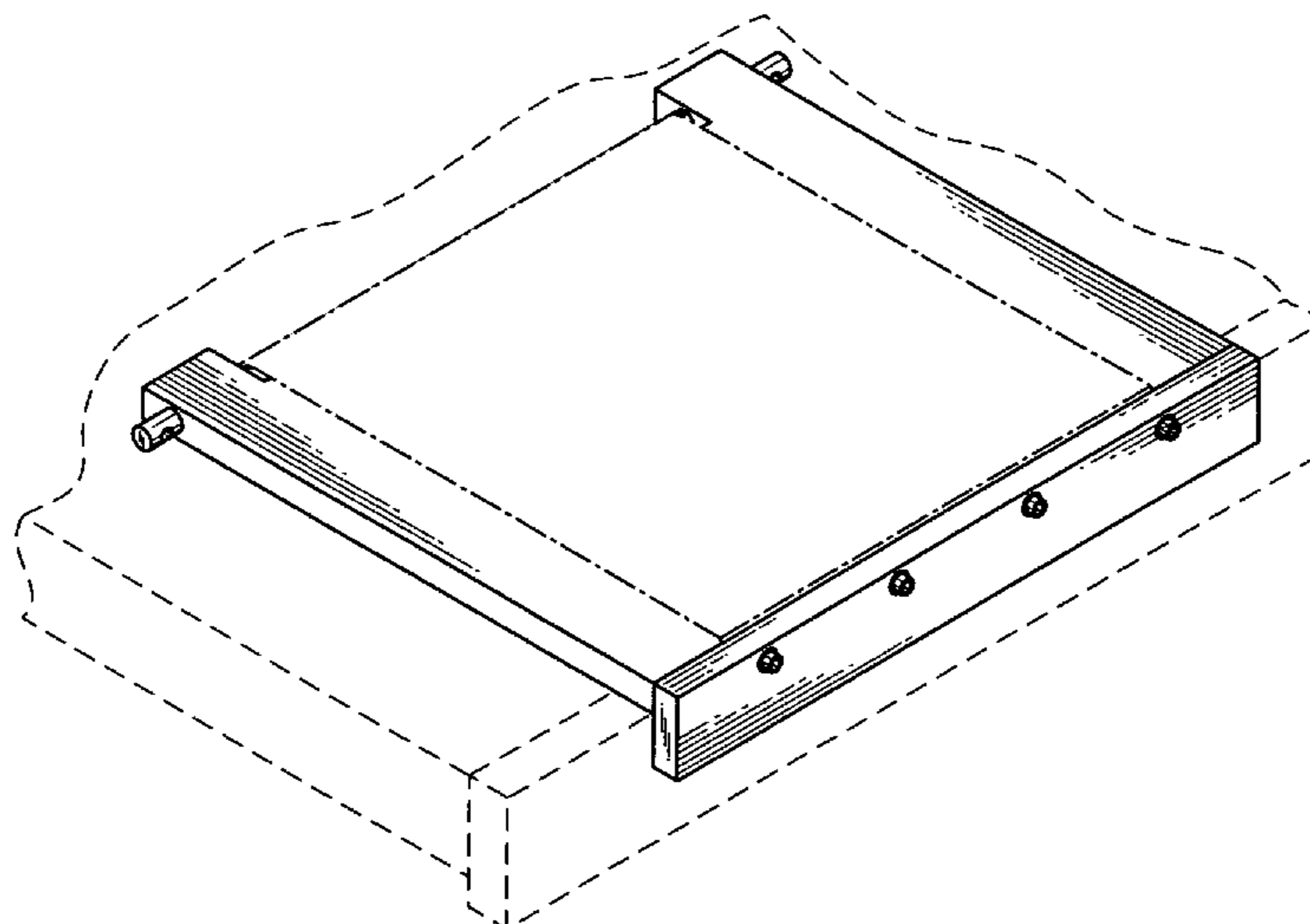


FIG. 1

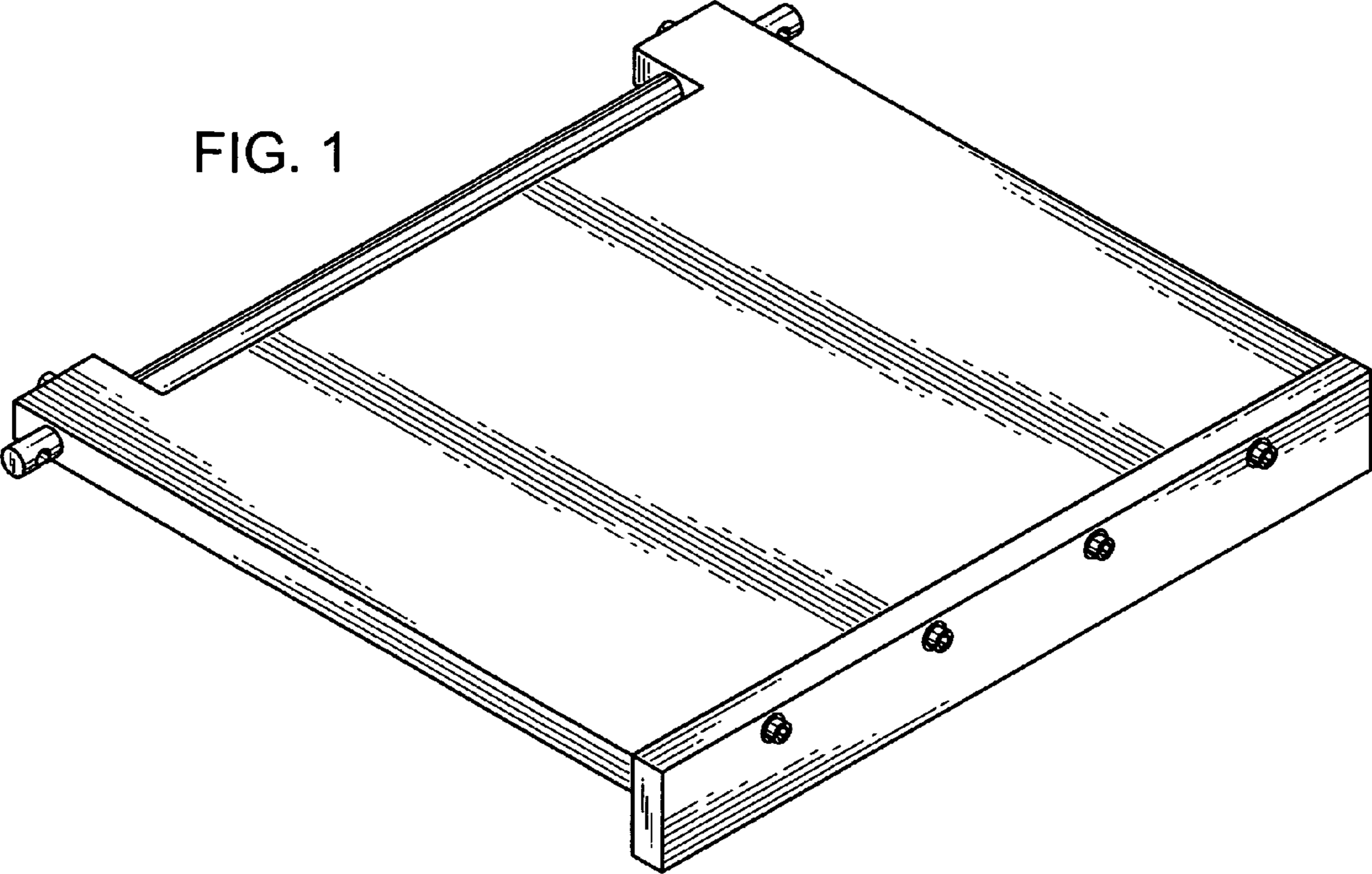
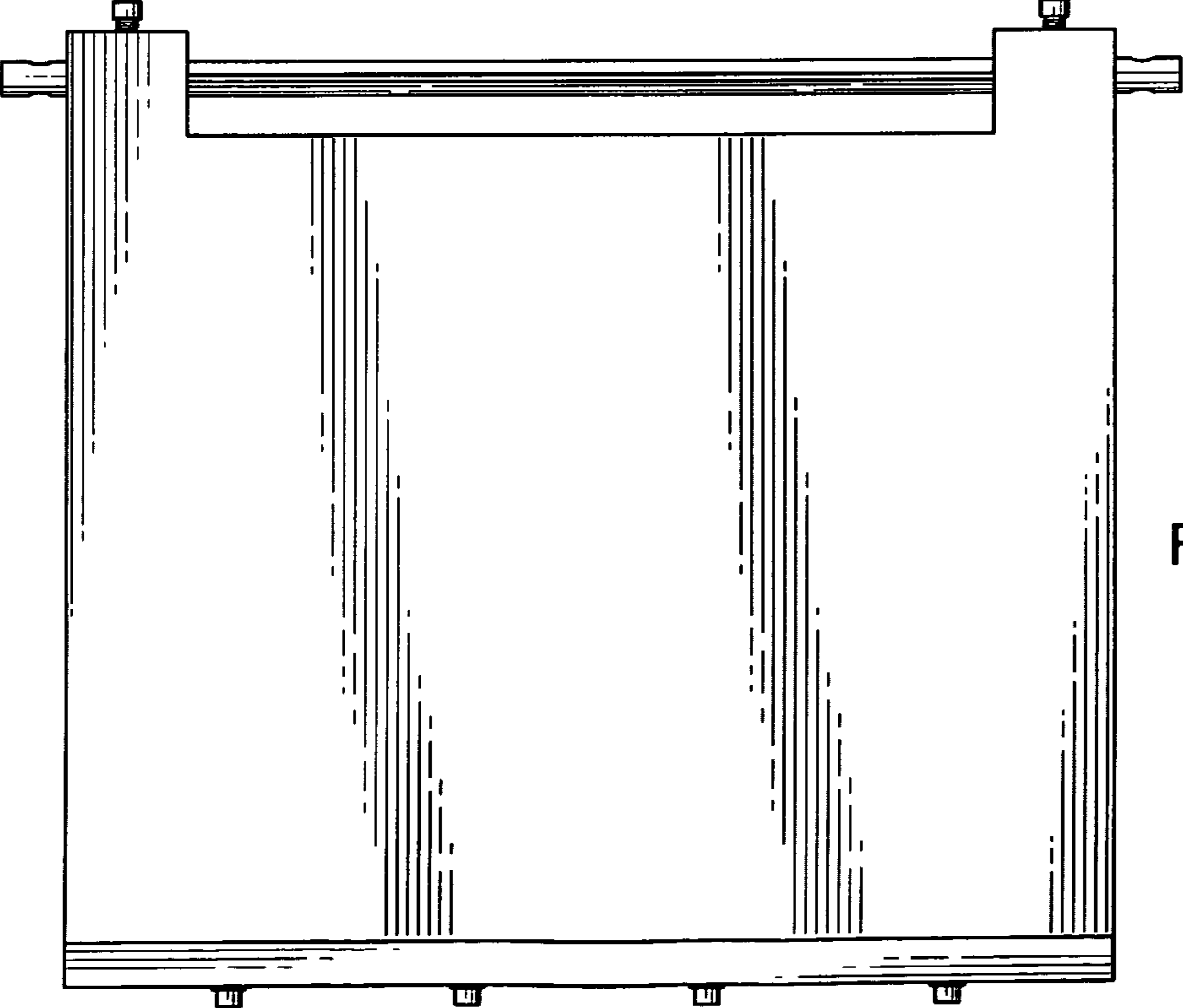


FIG. 2



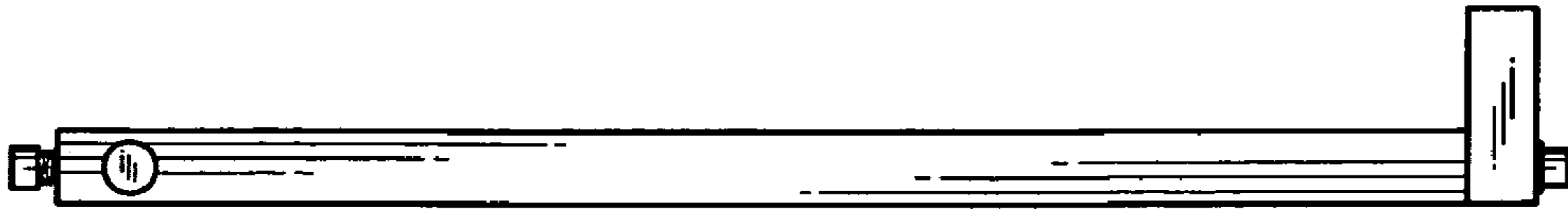


FIG. 5

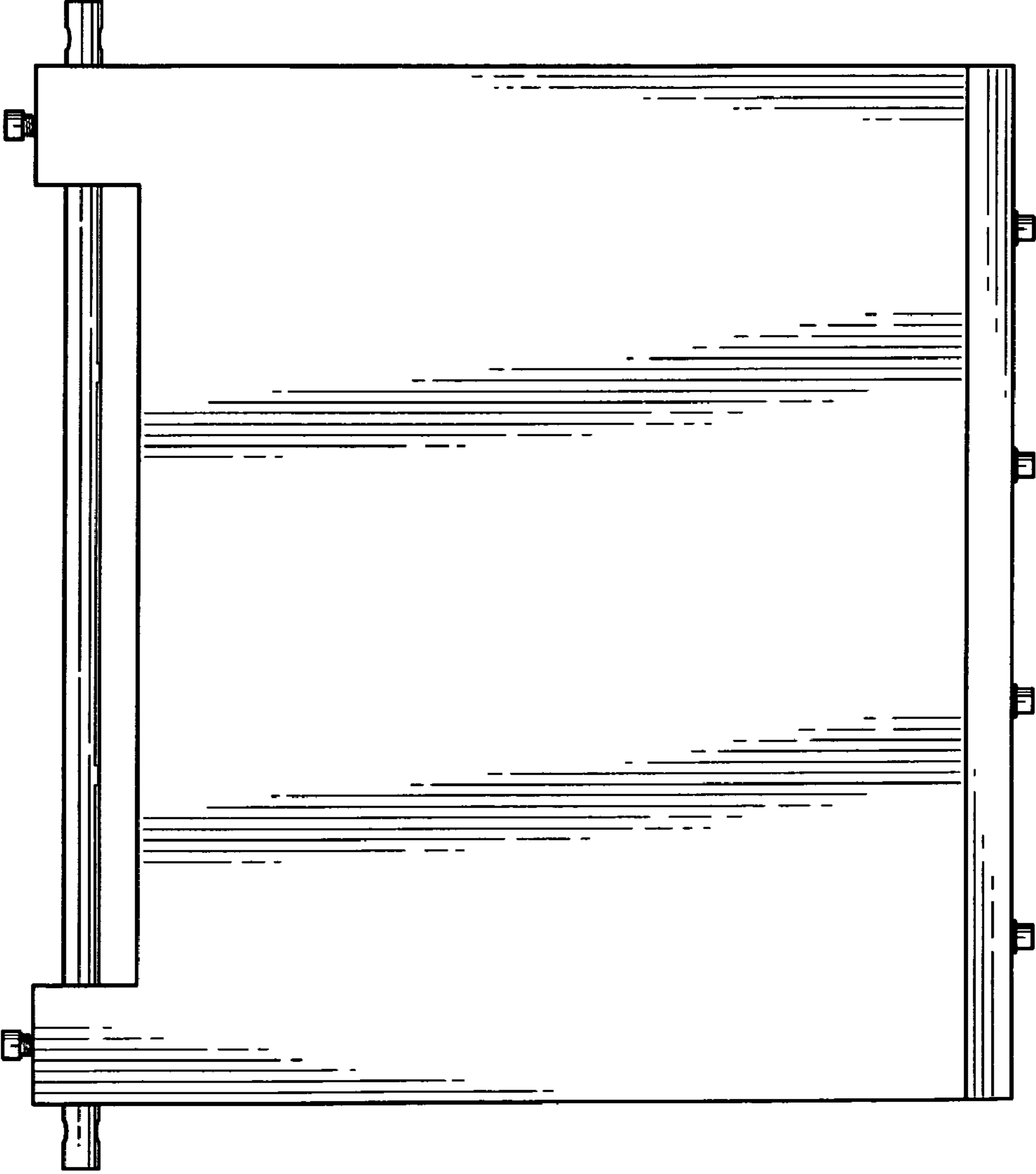


FIG. 4

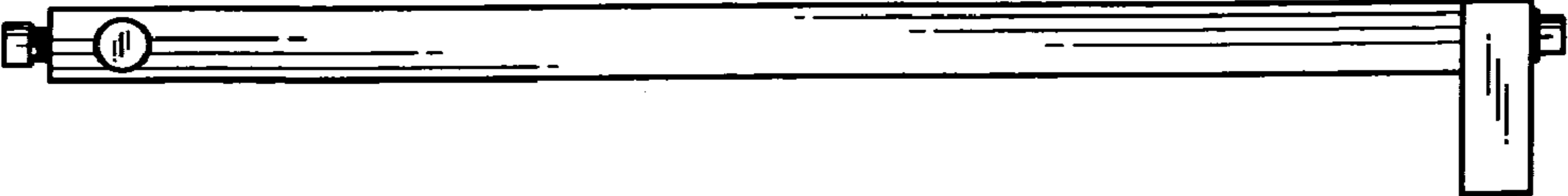


FIG. 3

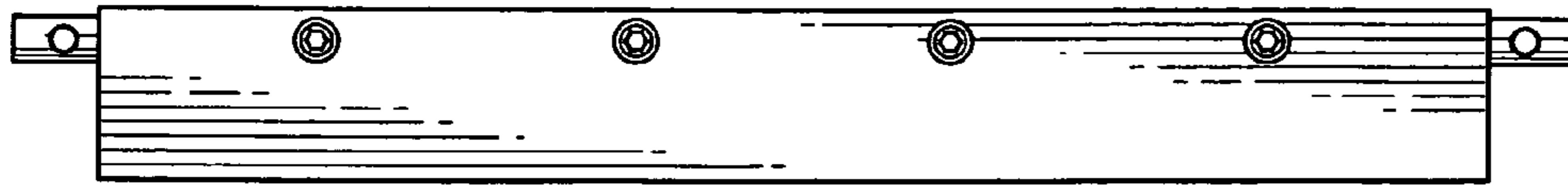


FIG. 6

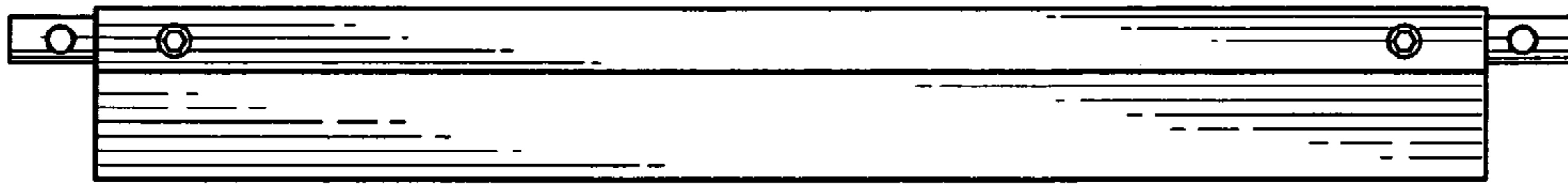


FIG. 7

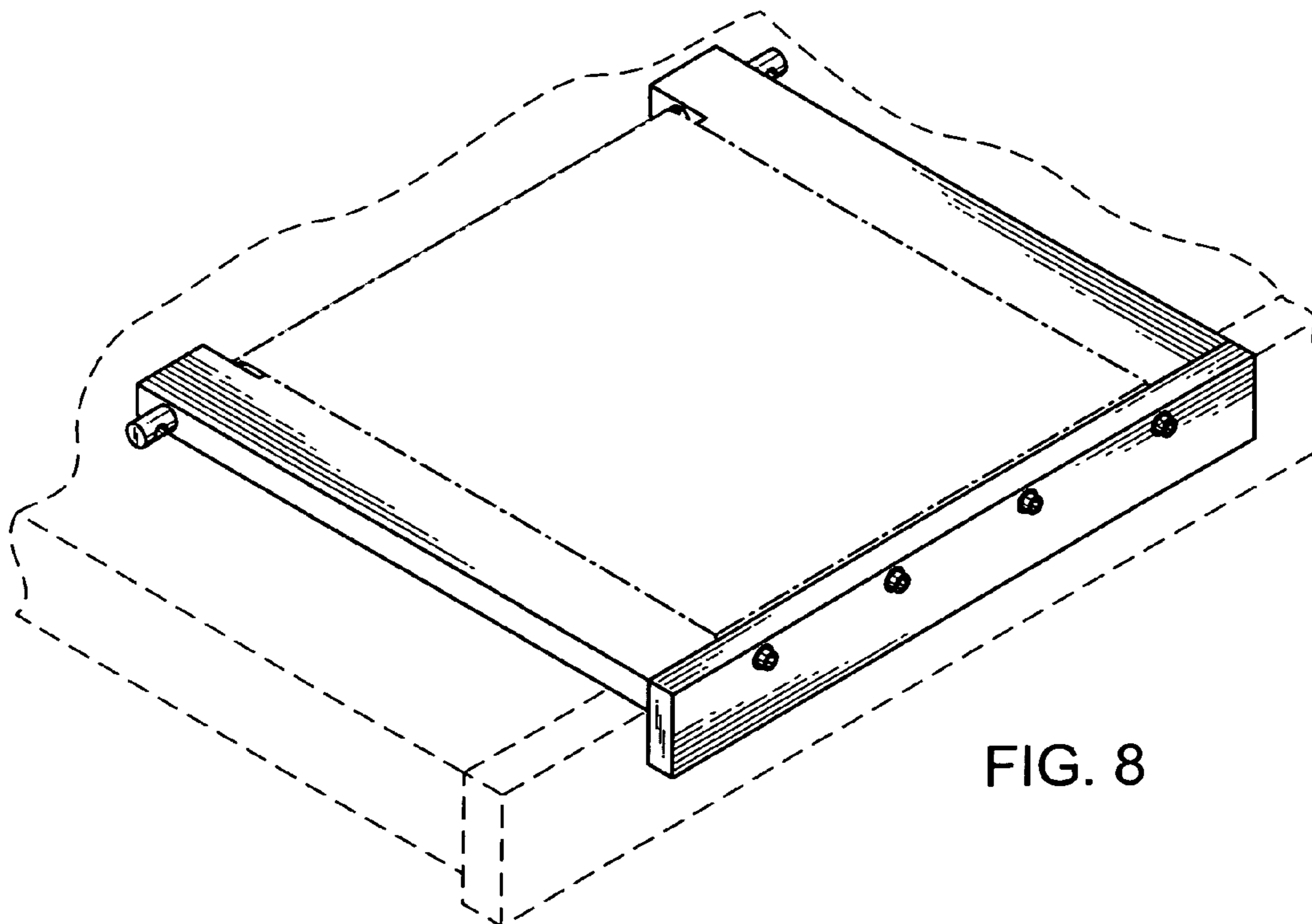


FIG. 8