



US00D609724S

(12) **United States Design Patent**
Haraldsson et al.

(10) **Patent No.:** **US D609,724 S**

(45) **Date of Patent:** **** Feb. 9, 2010**

(54) **TISSUE MACHINE**

(75) Inventors: **Ulf Haraldsson**, Karlstad (SE); **Anders Linden**, Karlstad (SE); **Petteri Venetjoki**, Helsinki (FI); **Leif Videgren**, Karlstad (SE)

(73) Assignee: **Metso Paper Karlstad AB**, Karlstad (SE)

(**) Term: **14 Years**

(21) Appl. No.: **29/270,521**

(22) Filed: **Dec. 27, 2006**

(30) **Foreign Application Priority Data**

Jun. 27, 2006 (EM) 00055160100010024

(51) **LOC (9) Cl.** **15-09**

(52) **U.S. Cl.** **D15/122**

(58) **Field of Classification Search** D15/122, D15/199; 162/109, 118, 271, 280, 287, 289, 162/297, 301, 304, 305, 358.1, 358.3, 358.4, 162/361, 363

See application file for complete search history.

(56) **References Cited**

U.S. PATENT DOCUMENTS

4,036,684 A * 7/1977 Schmitt et al. 162/301
4,472,244 A * 9/1984 Haltsonen 162/301
5,427,654 A * 6/1995 Gray et al. 162/301

6,702,925 B2 * 3/2004 Bricco et al. 162/289
6,755,940 B2 * 6/2004 Lin et al. 162/252
2005/0098282 A1 * 5/2005 Scherb 162/358.3

* cited by examiner

Primary Examiner—Sandra Snapp

Assistant Examiner—Patricia Palasik

(74) *Attorney, Agent, or Firm*—Ked & Associates LLP

(57) **CLAIM**

The ornamental design for a “tissue machine,” as shown and described.

DESCRIPTION

FIG. 1 is a perspective view of the tissue machine of the present invention with a hood, canopy, and press component; FIG. 2 is a side elevation view of the tissue machine of FIG. 1;

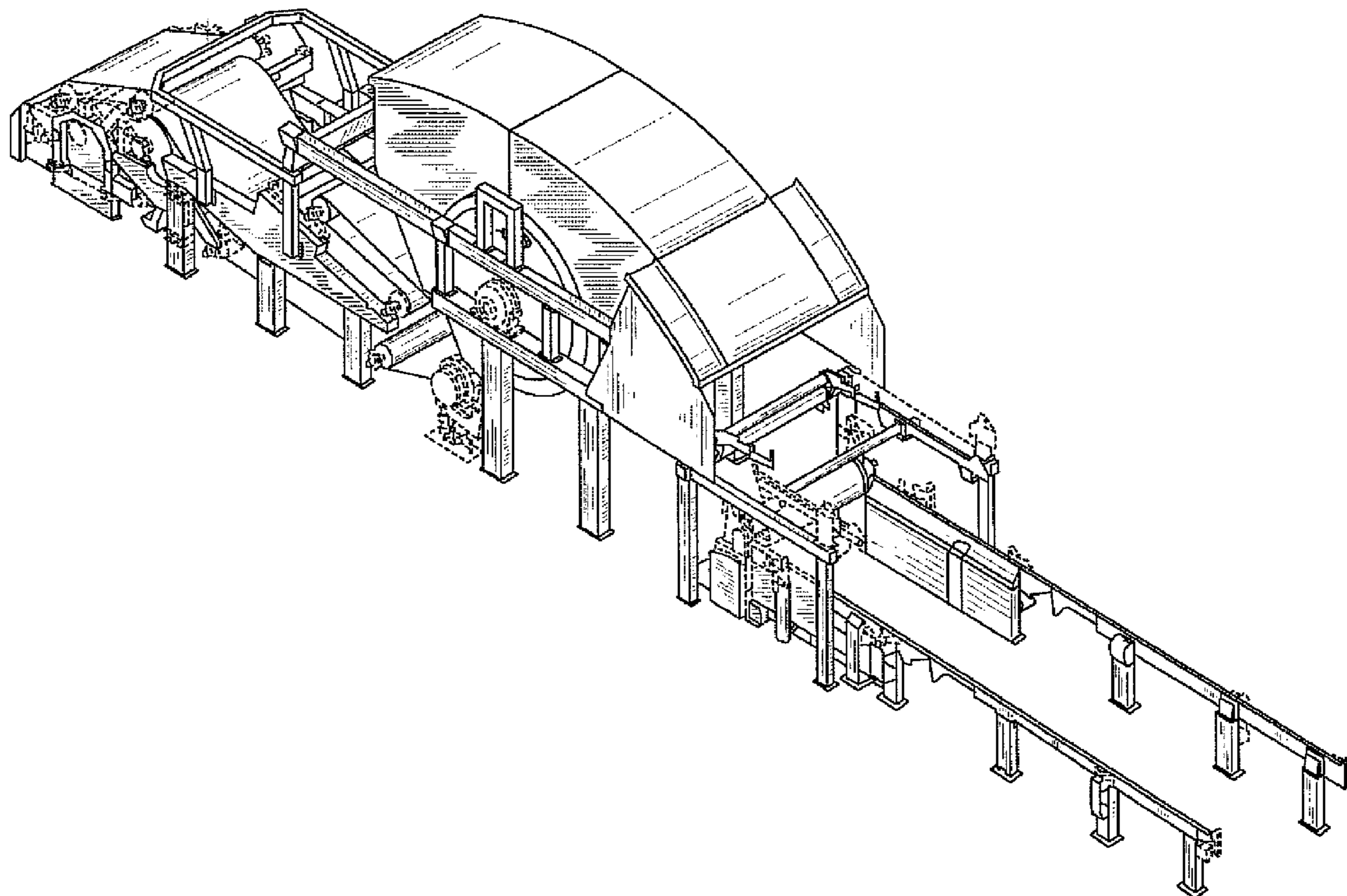
FIG. 3 is a side elevation view of the tissue machine with a hood, and press component removed for ease of illustration; FIG. 4 is a perspective view of the press component with hood and canopy, removed for ease of illustration;

FIG. 5 is a perspective view of the press component with hood, removed for ease of illustration; and,

FIG. 6 is a side elevation view of the press component of FIG. 4.

The broken lines in the drawings depict unclaimed environmental subject matter.

1 Claim, 6 Drawing Sheets



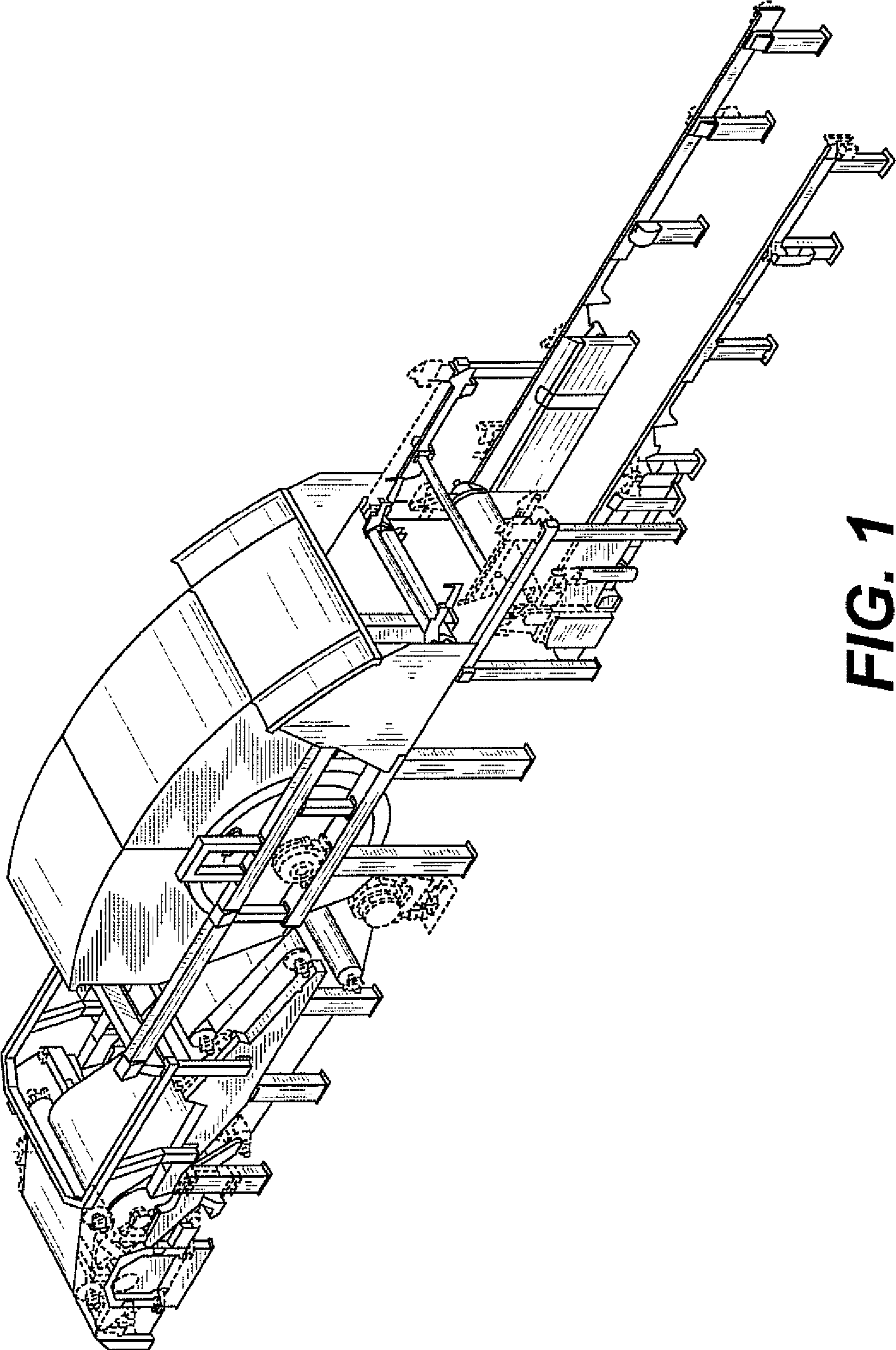


FIG. 1

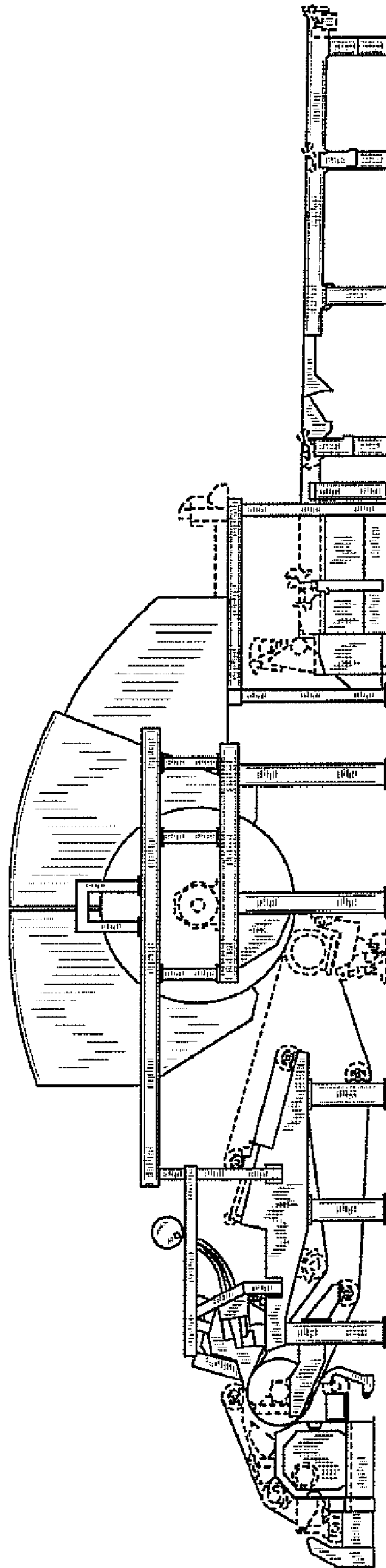


FIG. 2

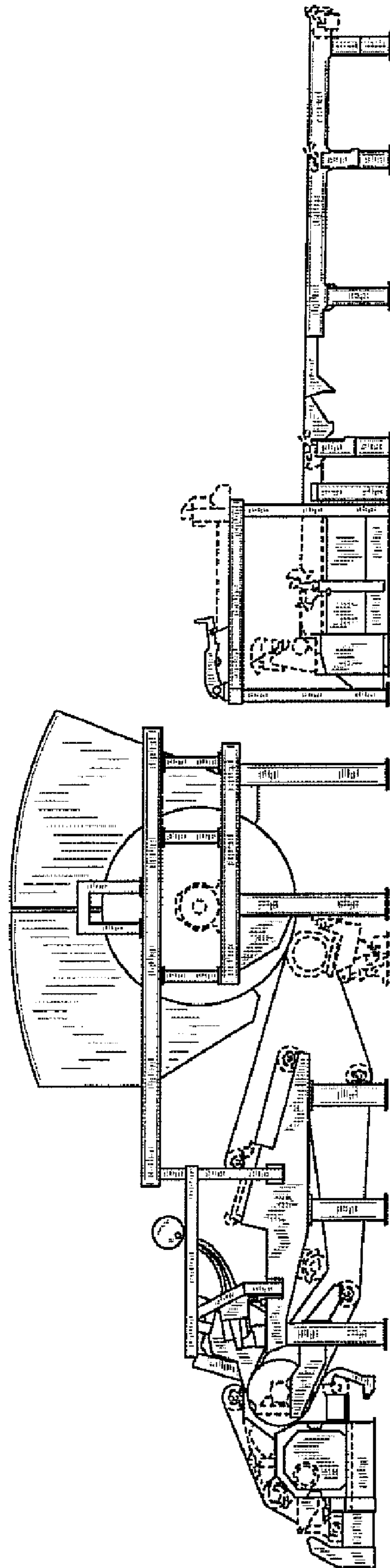


FIG. 3

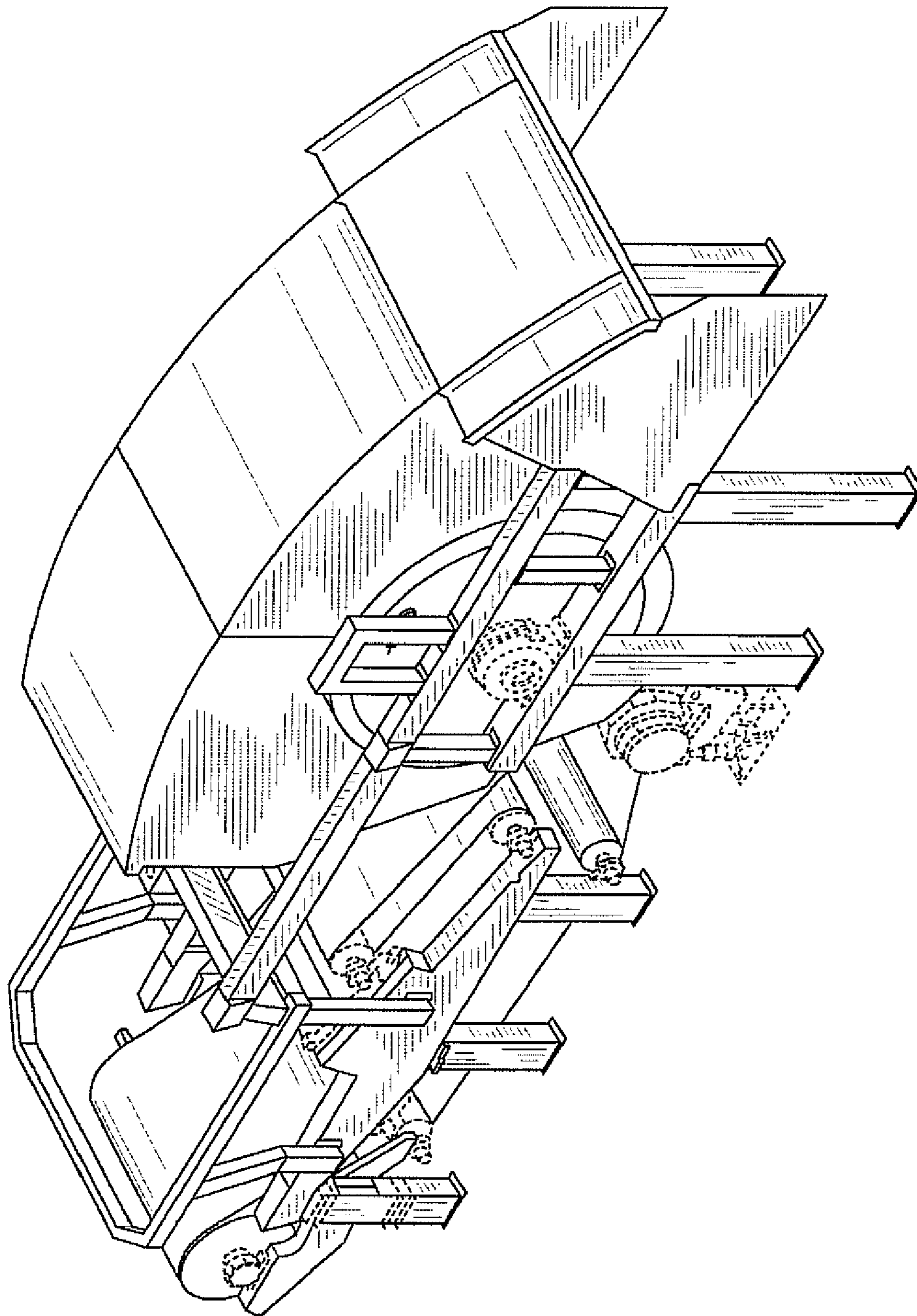


FIG. 4

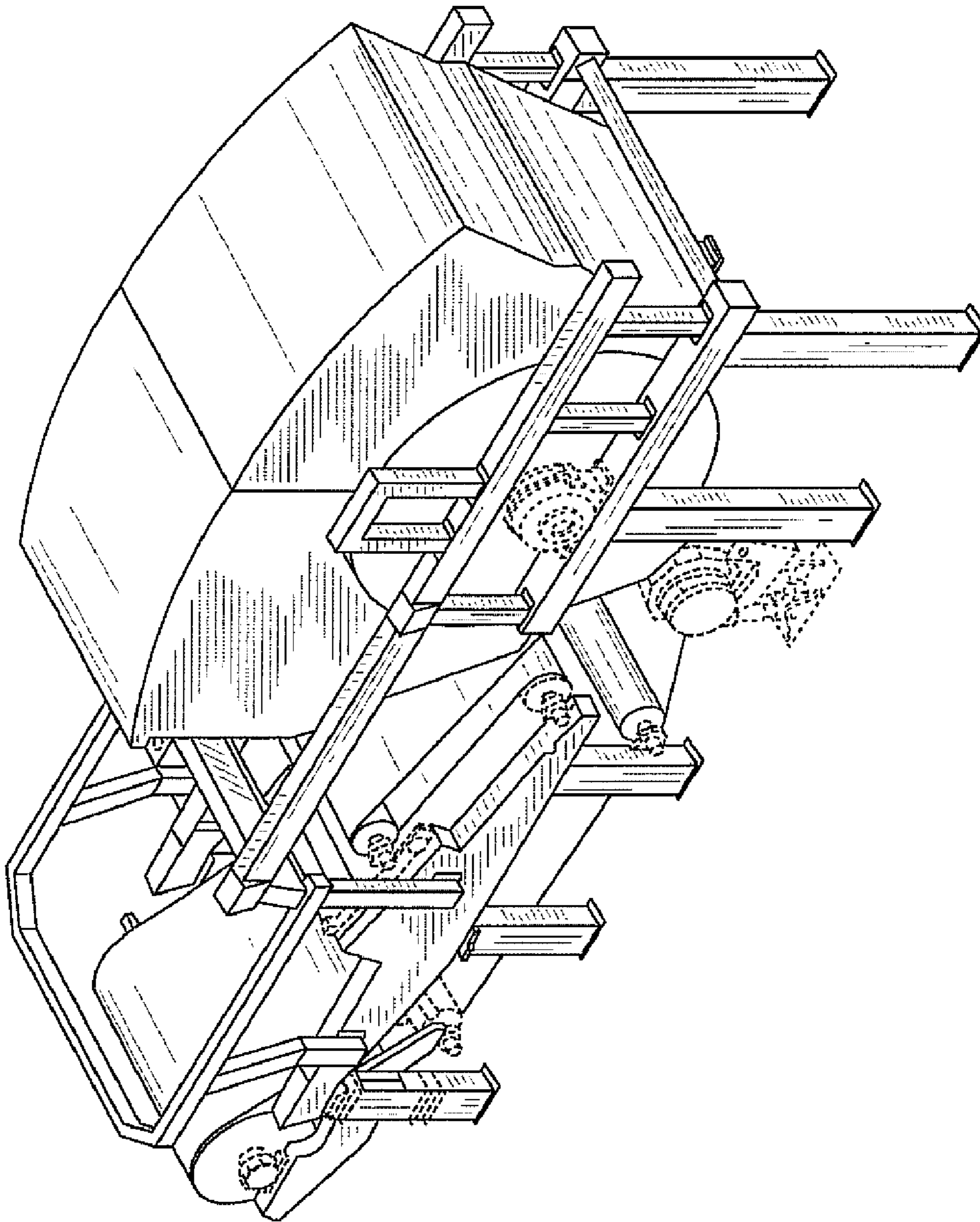


FIG. 5

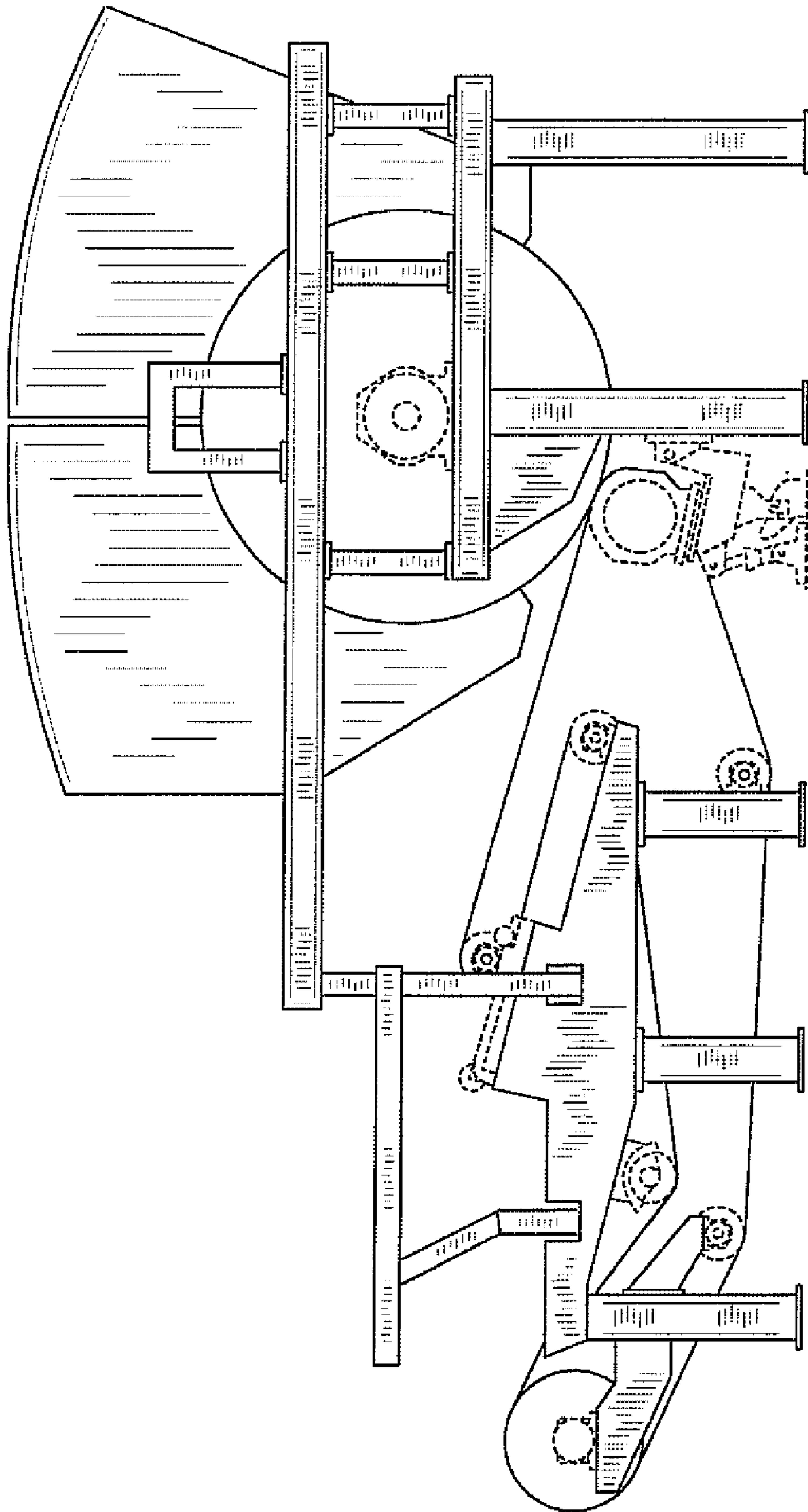


FIG. 6