



US00D609722S

(12) **United States Design Patent**
Schmidt

(10) **Patent No.:** **US D609,722 S**
(45) **Date of Patent:** **** Feb. 9, 2010**

(54) **CONSTRUCTION MACHINE**

3,888,372 A * 6/1975 Gorby et al. 414/713
D240,155 S * 6/1976 Burns et al. D15/12

(75) Inventor: **Hans-Heinrich Schmidt**,
Lichtensfels-Sachsenberg (DE)

(Continued)

(73) Assignee: **Weidemann GmbH**, Diemelsee (DE)

FOREIGN PATENT DOCUMENTS

(**) Term: **14 Years**

EP 496872-0001 3/2006

(21) Appl. No.: **29/315,589**

(Continued)

(22) Filed: **Jul. 7, 2009**

Related U.S. Application Data

(62) Division of application No. 29/313,409, filed on Jan. 2, 2009.

Primary Examiner—Stella M Reid
Assistant Examiner—Mark A Goodwin
(74) *Attorney, Agent, or Firm*—D. Peter Hochberg; Sean F. Mellino; Daniel J. Smola

(30) **Foreign Application Priority Data**

Mar. 13, 2006 (EM) 496872-0001
Mar. 13, 2006 (EM) 496872-0003
Mar. 13, 2006 (EM) 496872-0004
Mar. 13, 2006 (EM) 496872-0005
Mar. 13, 2006 (EM) 496872-0006
Mar. 13, 2006 (EM) 496872-0007
Mar. 13, 2006 (EM) 496872-0008
Mar. 13, 2006 (EM) 496872-0009

(57) **CLAIM**

The ornamental design for construction machine, as shown and described.

(51) **LOC (9) Cl.** **12-09**
(52) **U.S. Cl.** **D15/23**
(58) **Field of Classification Search** D15/10,
D15/22-26; D34/28, 34; 37/407, 442; 414/685,
414/694, 722; 296/190; 180/89.1, 89.12
See application file for complete search history.

DESCRIPTION

FIG. 1 is a side view of a construction machine according to my new design;
FIG. 2 is a side view of the construction machine as shown in FIG. 1, shown from the opposite side as that shown in FIG. 1;
FIG. 3 is a front view of the construction machine as shown in FIG. 1;
FIG. 4 is a rear view of the construction machine as shown in FIG. 1;
FIG. 5 is a top view of the construction machine as shown in FIG. 1; and,
FIG. 6 is a bottom view of the construction machine as shown in FIG. 1.

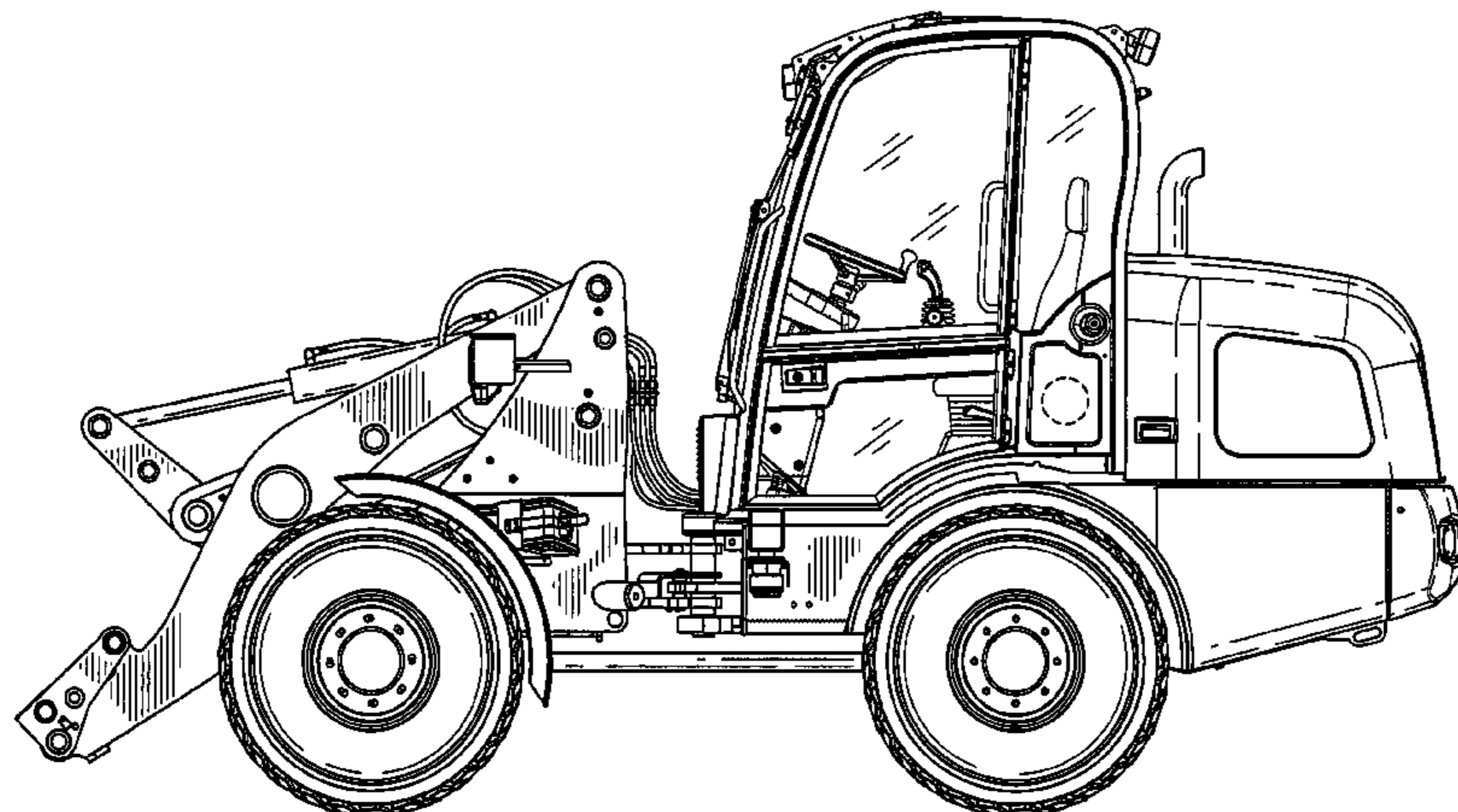
(56) **References Cited**

U.S. PATENT DOCUMENTS

D172,069 S * 4/1954 Wagner D15/25
D202,365 S * 9/1965 Kimball D15/22
3,426,720 A * 2/1969 Enos 440/12.66
3,446,302 A * 5/1969 Schoonover 180/9.1
D217,661 S * 5/1970 McCawley D15/25
3,521,719 A * 7/1970 Forpahl 180/235
3,805,908 A * 4/1974 Thompson 180/235

The broken line showing of the circular and triangular elements in FIGS. 1, and 4 is included for the purpose of illustrating a portion of the construction machine and forms no part of the claimed design.

1 Claim, 5 Drawing Sheets



US D609,722 S

Page 2

U.S. PATENT DOCUMENTS

D271,397 S * 11/1983 Kuhn et al. D15/25
D297,539 S * 9/1988 Morita et al. D15/23
D361,576 S * 8/1995 Matsubara et al. D15/25
D364,408 S * 11/1995 Bryant et al. D15/25
D405,807 S * 2/1999 Amy et al. D15/25
D412,506 S * 8/1999 Boyer et al. D15/25
D438,359 S * 2/2001 Braud D34/34
D460,085 S * 7/2002 Crookes et al. D15/25
D463,805 S * 10/2002 Witte et al. D15/23

D464,661 S * 10/2002 Dahl et al. D15/23

FOREIGN PATENT DOCUMENTS

EP 496872-0003 3/2006
EP 496872-0005 3/2006
EP 496872-0006 3/2006
EP 496872-0007 3/2006
EP 496872-0008 3/2006
EP 496872-0009 3/2006
EP 496872-0004 4/2006

* cited by examiner

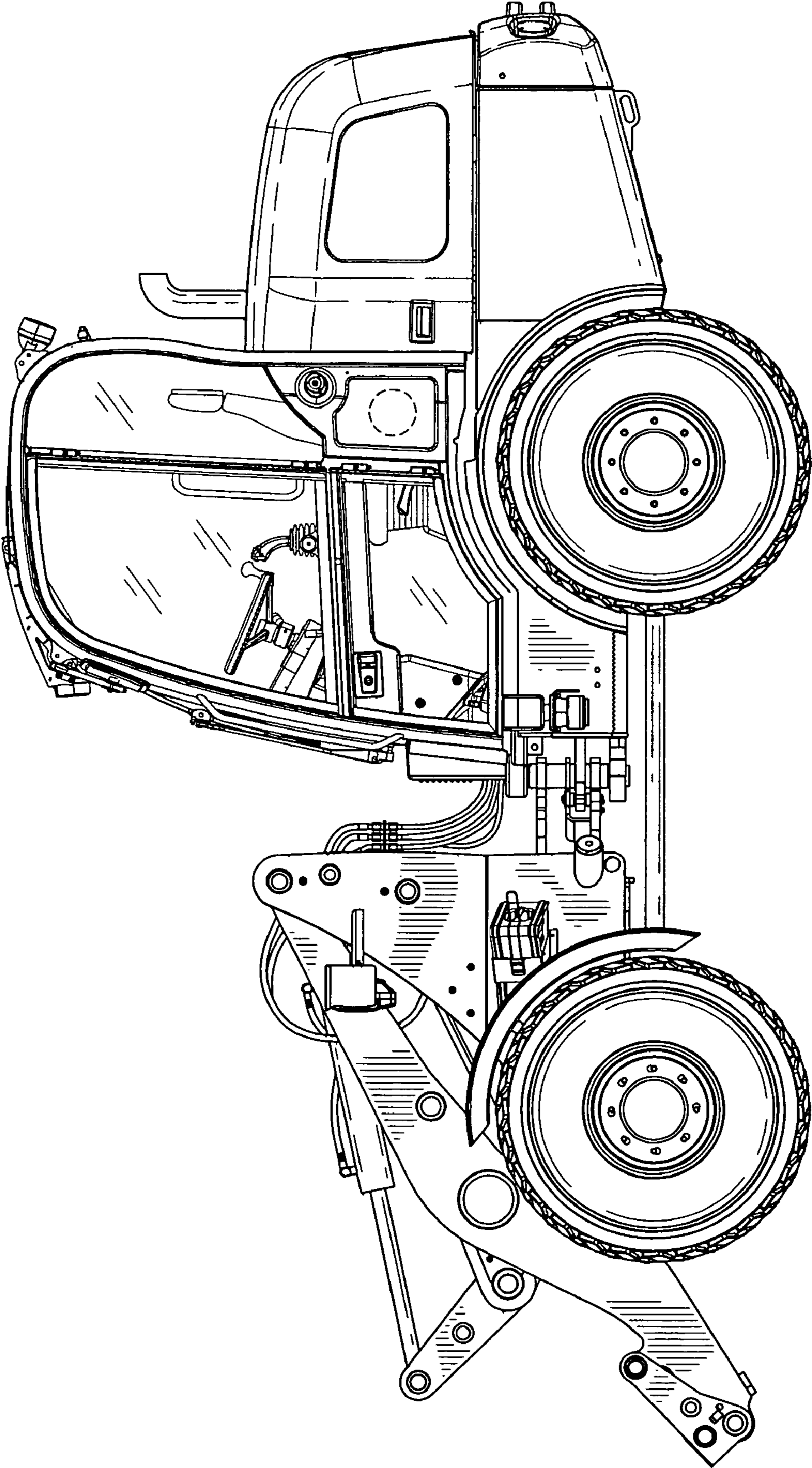


FIG-1

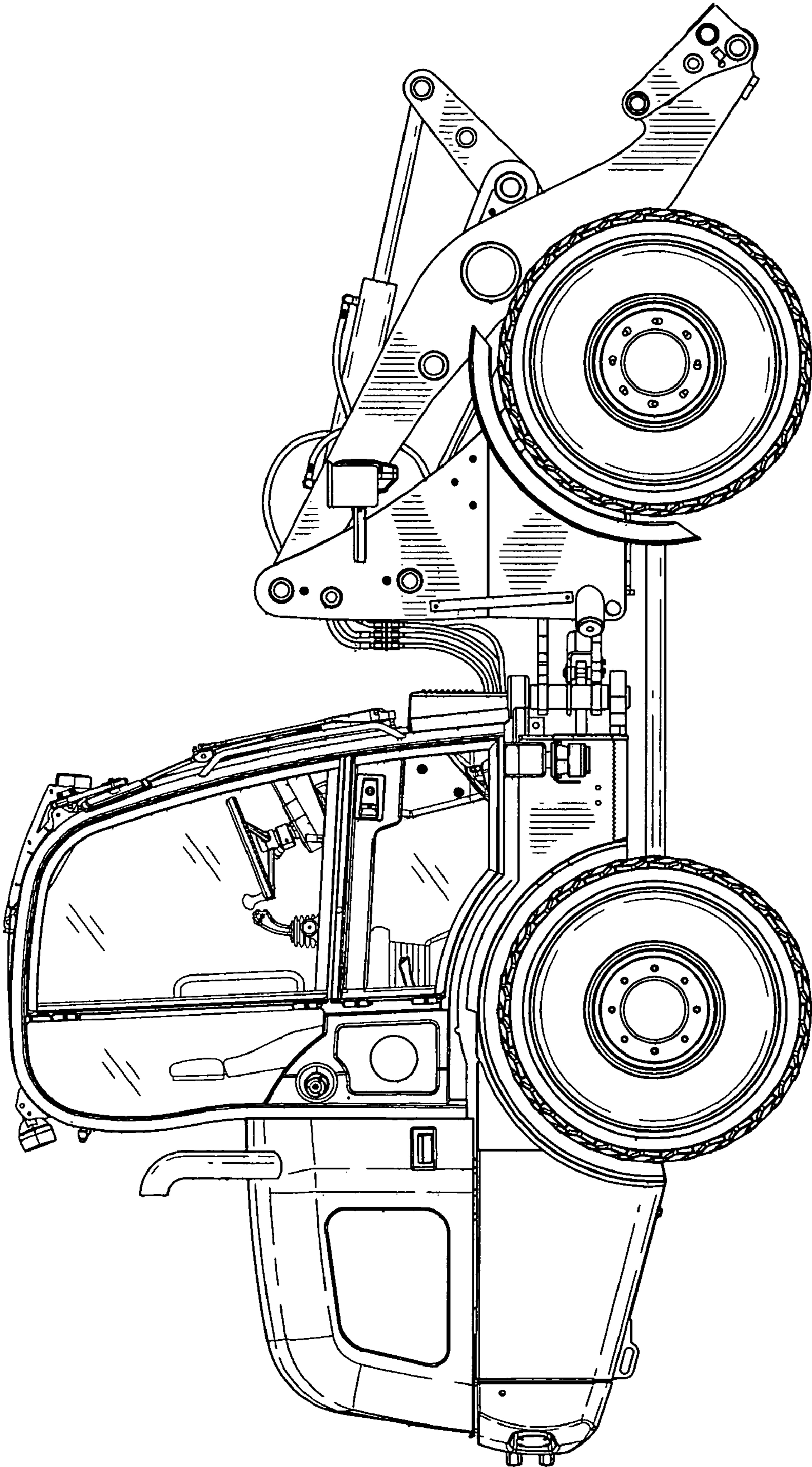


FIG-2

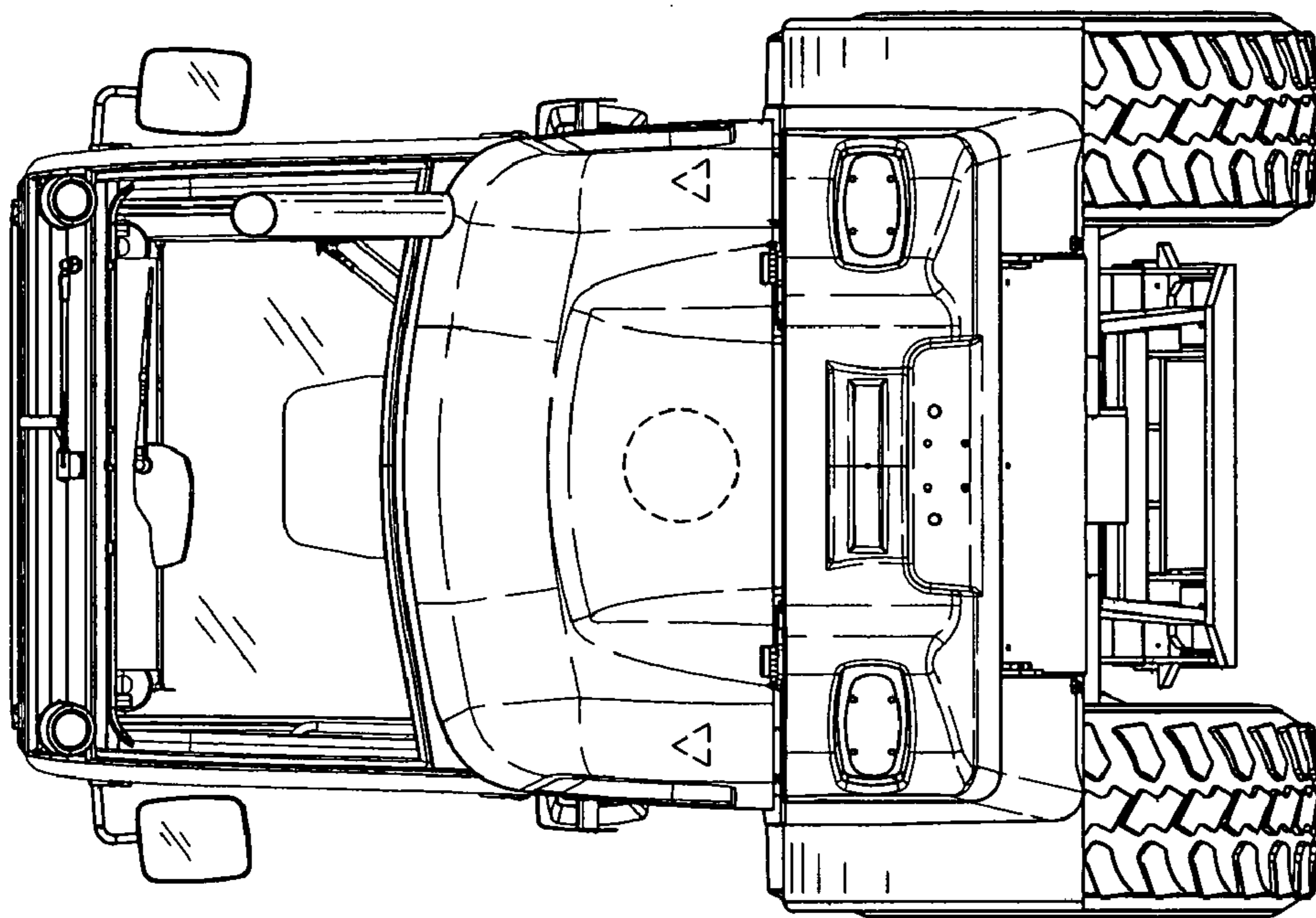


FIG-4

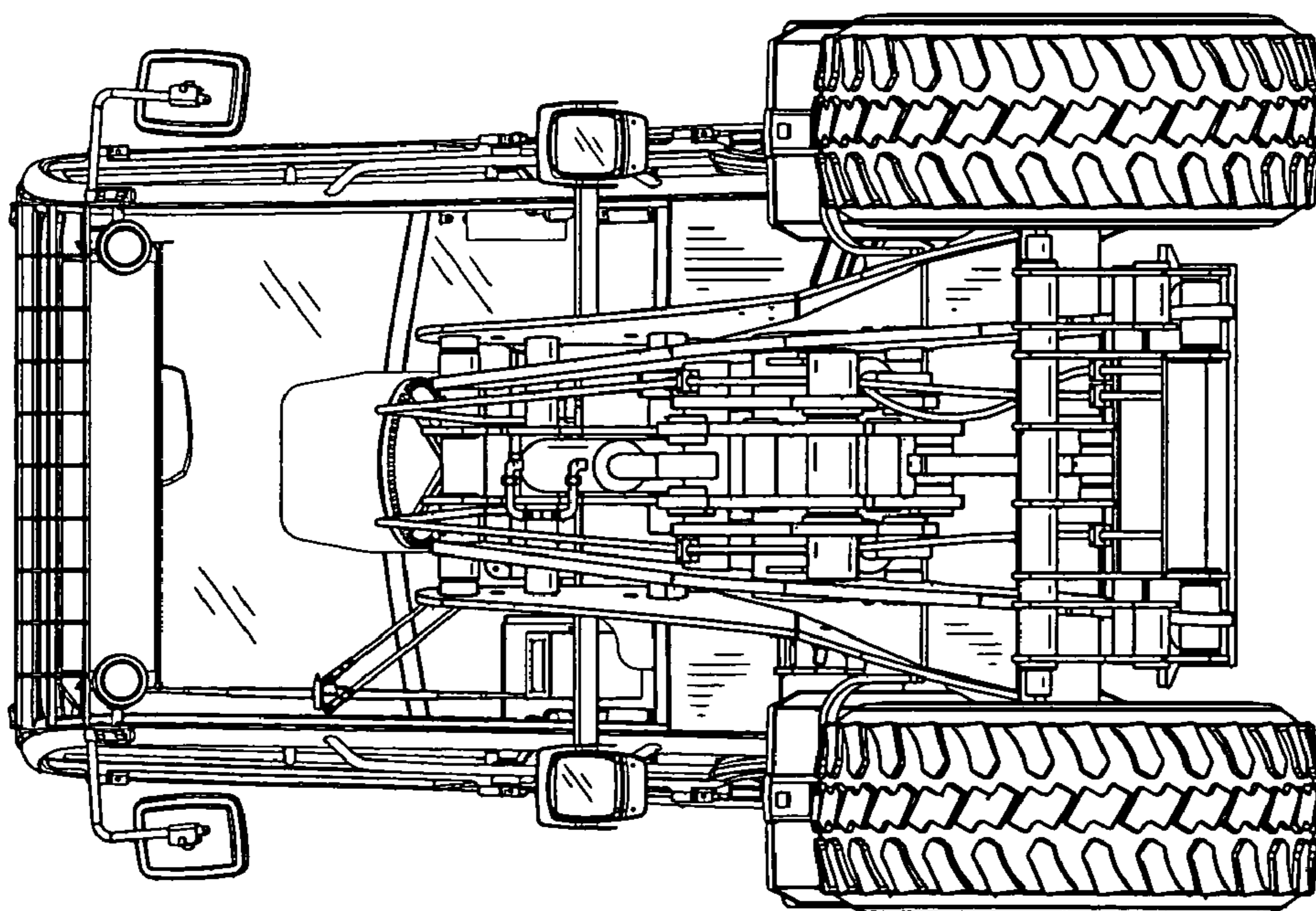


FIG-3

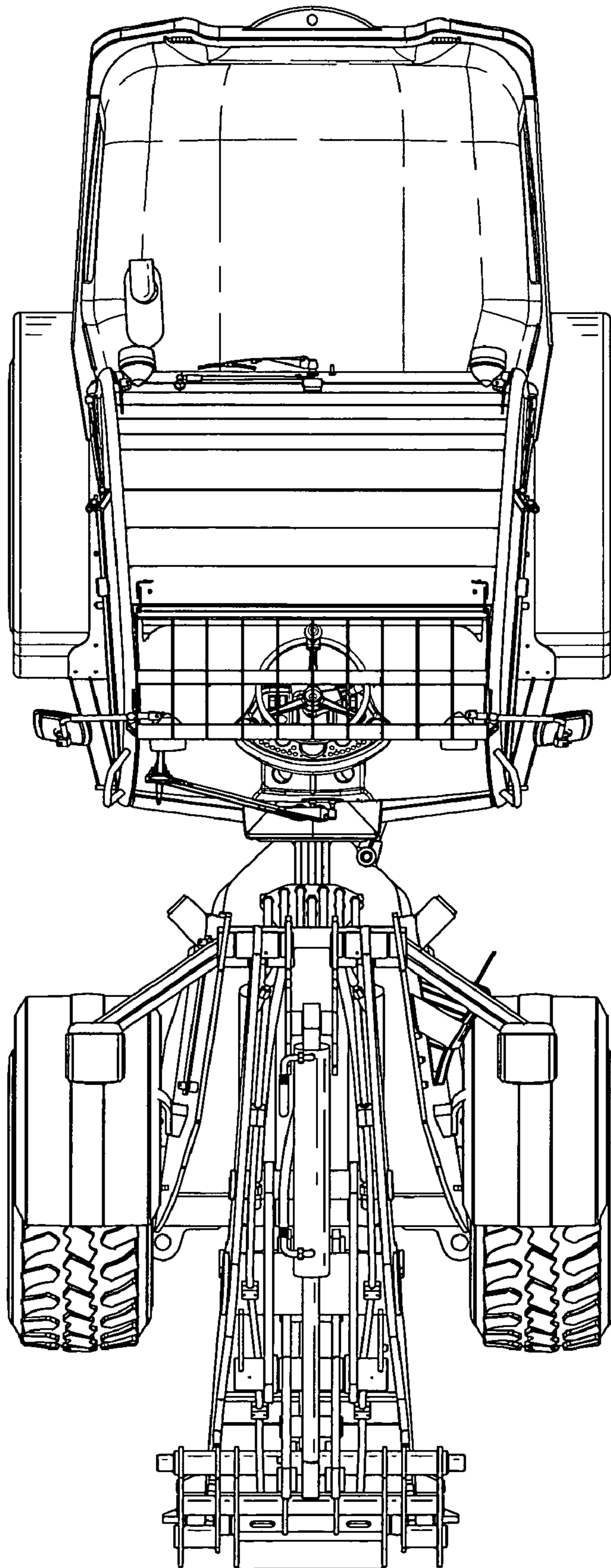


FIG-5

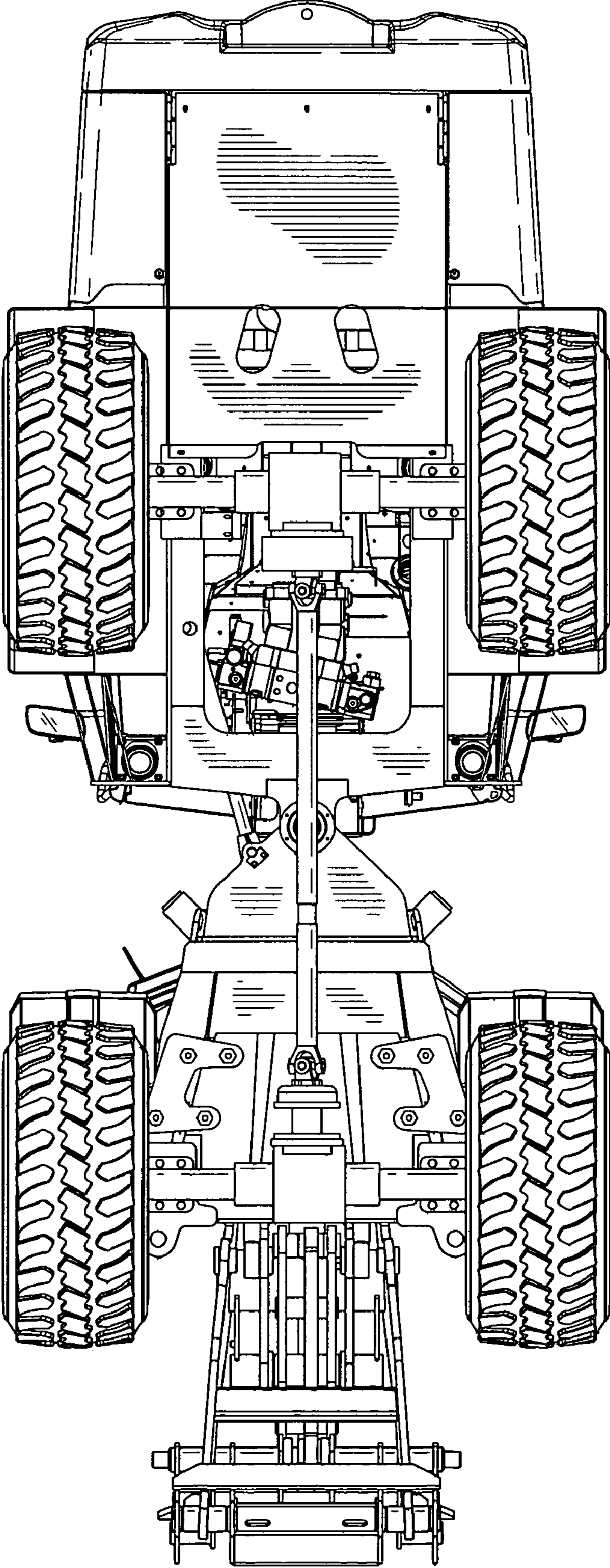


FIG-6

UNITED STATES PATENT AND TRADEMARK OFFICE
CERTIFICATE OF CORRECTION

PATENT NO. : Des. 609,722 S
APPLICATION NO. : 29/315589
DATED : February 9, 2010
INVENTOR(S) : Hans-Heinrich Schmidt

Page 1 of 1

It is certified that error appears in the above-identified patent and that said Letters Patent is hereby corrected as shown below:

On the cover sheet, column 1:

Item (75), correct the spelling of the inventor's city of residence as follows:
Delete "Lichtensfels-Sachsenberg" and insert -- Lichtenfels-Sachsenberg --.

Item (62), after "2009" insert -- , which is a continuation-in-part of application No. 29/266,033 filed on
Sept. 13, 2006, now abandoned --.

Signed and Sealed this

Twentieth Day of April, 2010



David J. Kappos
Director of the United States Patent and Trademark Office