

US00D609720S

(12) **United States Design Patent**
Buck

(10) **Patent No.:** **US D609,720 S**
(45) **Date of Patent:** **** Feb. 9, 2010**

(54) **INTERNAL COMBUSTION ENGINE**

- (75) Inventor: **John E. Buck**, Cockeysville, MD (US)
- (73) Assignee: **Black & Decker Inc.**, Newark, DE (US)
- (**) Term: **14 Years**
- (21) Appl. No.: **29/250,366**
- (22) Filed: **Nov. 10, 2006**

- (51) **LOC (9) Cl.** **15-01**
- (52) **U.S. Cl.** **D15/1**
- (58) **Field of Classification Search** D15/1-5,
D15/14-17; 123/41.66, 41.67, 41.7, 50 A,
123/50 B, 50 R, 51 A, 51 B, 51 R, 657, 661,
123/667, 195 C, 198 E, 306, 308
See application file for complete search history.

(56) **References Cited**

U.S. PATENT DOCUMENTS

D282,071 S	1/1986	Nakamura	
D330,897 S	* 11/1992	Carlson et al.	D15/1
D331,929 S	* 12/1992	Leaf et al.	D15/1
D353,381 S	* 12/1994	Yoshida et al.	D15/1
D521,529 S	5/2006	Wu et al.	
D529,046 S	9/2006	Maeda et al.	
D540,255 S	4/2007	Maeda et al.	
D581,945 S	* 12/2008	Che et al.	D15/3
D595,737 S	* 7/2009	Neeley et al.	D15/1
D598,935 S	* 8/2009	Kobayashi et al.	D15/1

OTHER PUBLICATIONS

Honda Engine; Honda catalog, 2004, p. 17.
 Shimaha; Gasoline Engine 168F, 173F and 188F, 2005 Catalog.
 Briggs & Stratton; CP Series engines, 2006 Power Guide, p. 26.
 Tecumseh; Utility engines, Selection Guide, 2004, p. 21.
 Briggs & Stratton; Utility engines, 2006 Engine Guide.
 Kawasaki; Engines FJ400D and FJ180D; sales sheets, www.kawpowr.com.

* cited by examiner

Primary Examiner—Cathron C. Brooks

Assistant Examiner—Maurice Stevens

(74) *Attorney, Agent, or Firm*—Rhonda L. Barton; Michael P. Leary; Adan Ayala

(57) **CLAIM**

The ornamental design for an internal combustion engine, as shown and described.

DESCRIPTION

FIG. 1 is a left/front perspective view of an internal combustion engine showing my new design.

FIG. 2 is a front view thereof.

FIG. 3 is a rear view thereof.

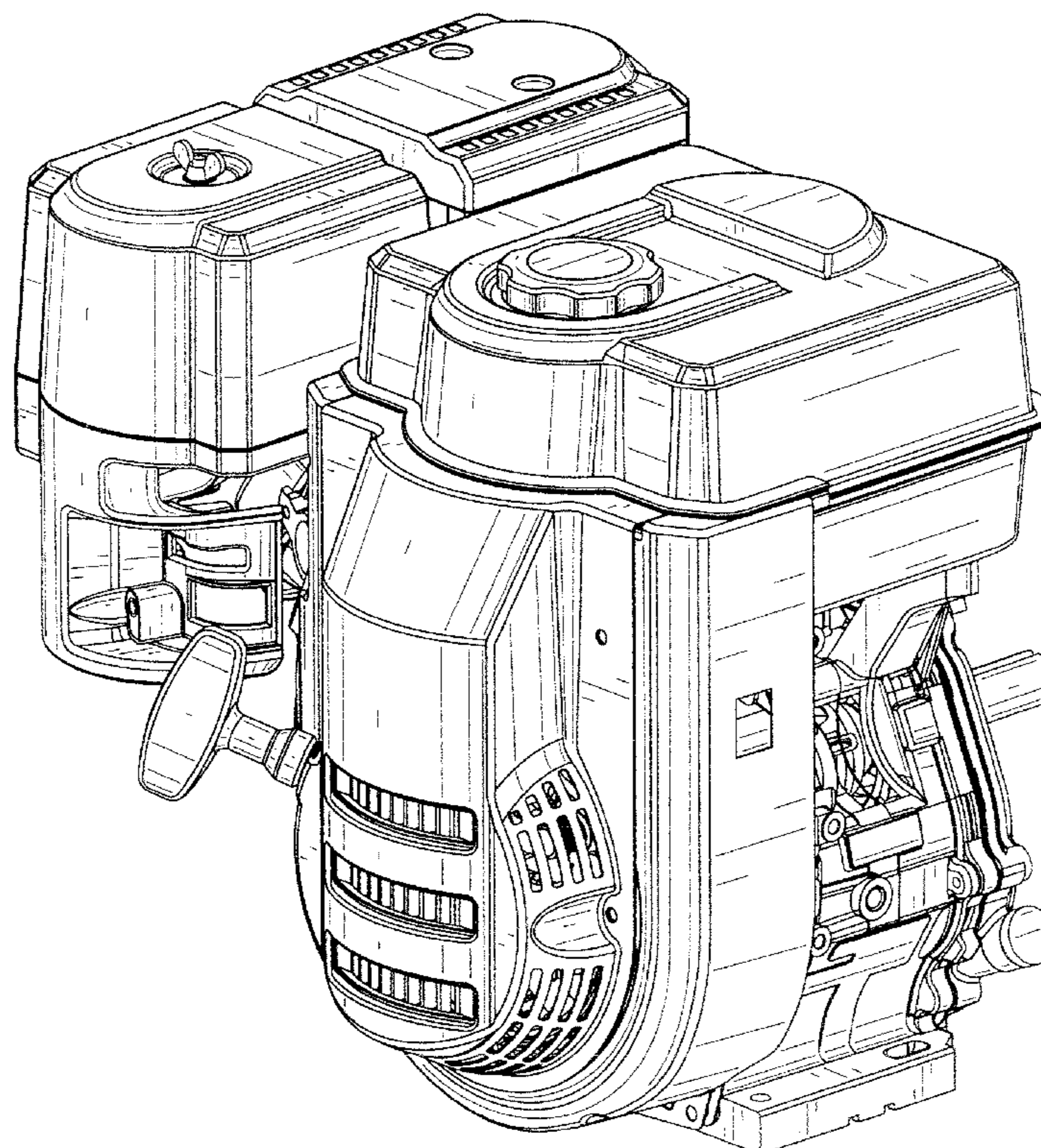
FIG. 4 is a right side view thereof.

FIG. 5 is a left side view thereof.

FIG. 6 is a top view thereof; and,

FIG. 7 is a bottom view thereof.

1 Claim, 7 Drawing Sheets



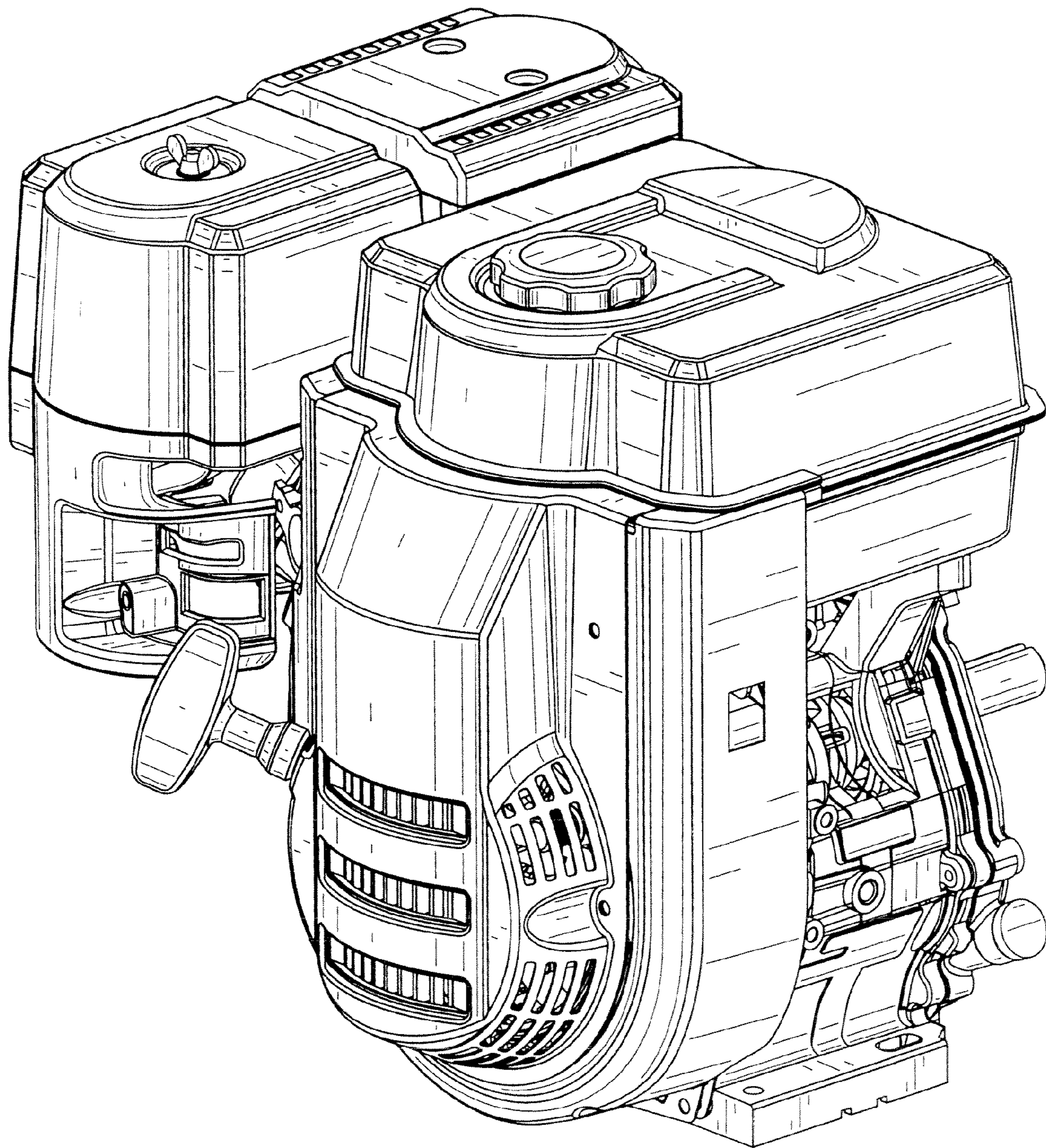


FIG. 1

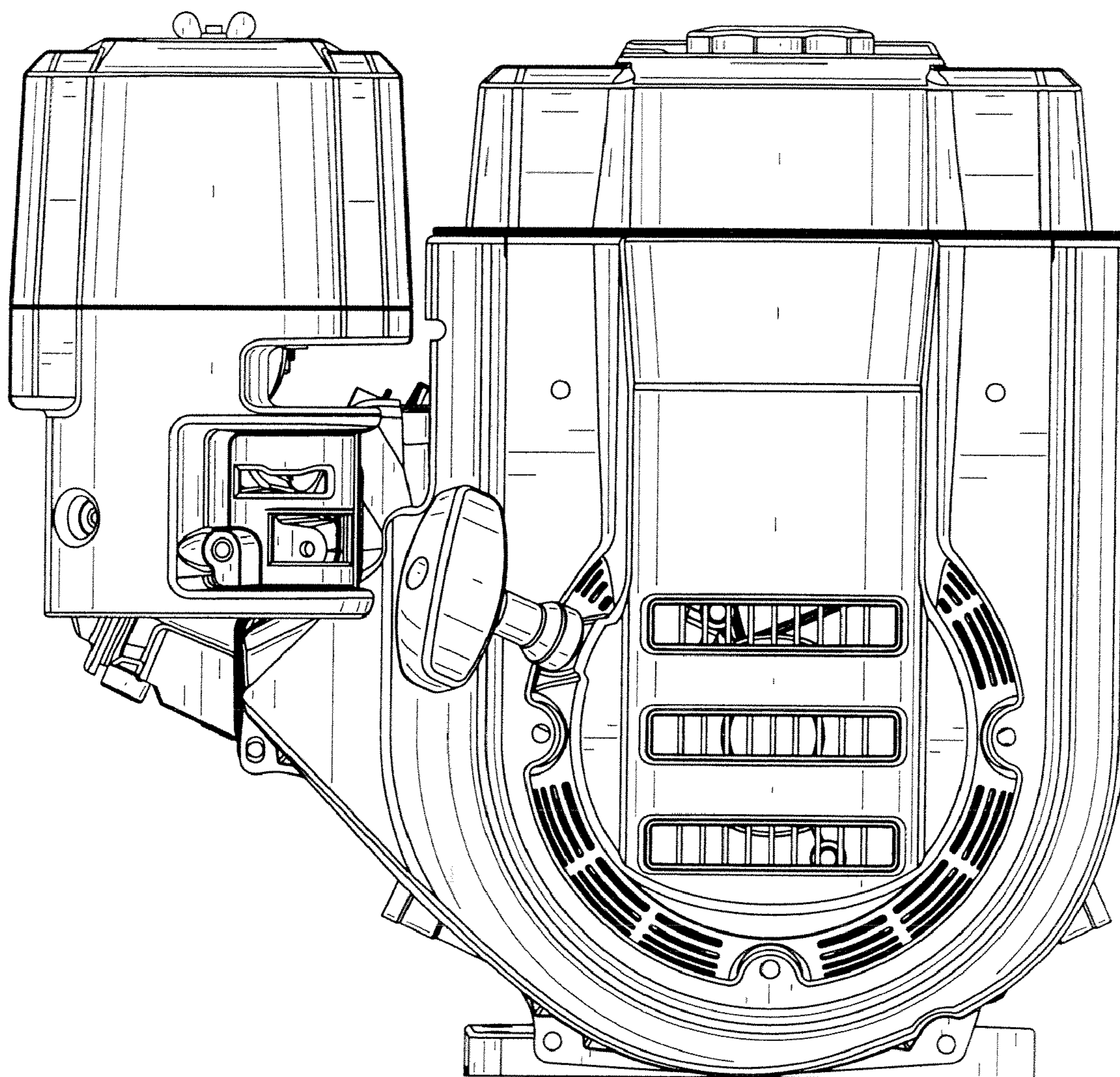


FIG. 2

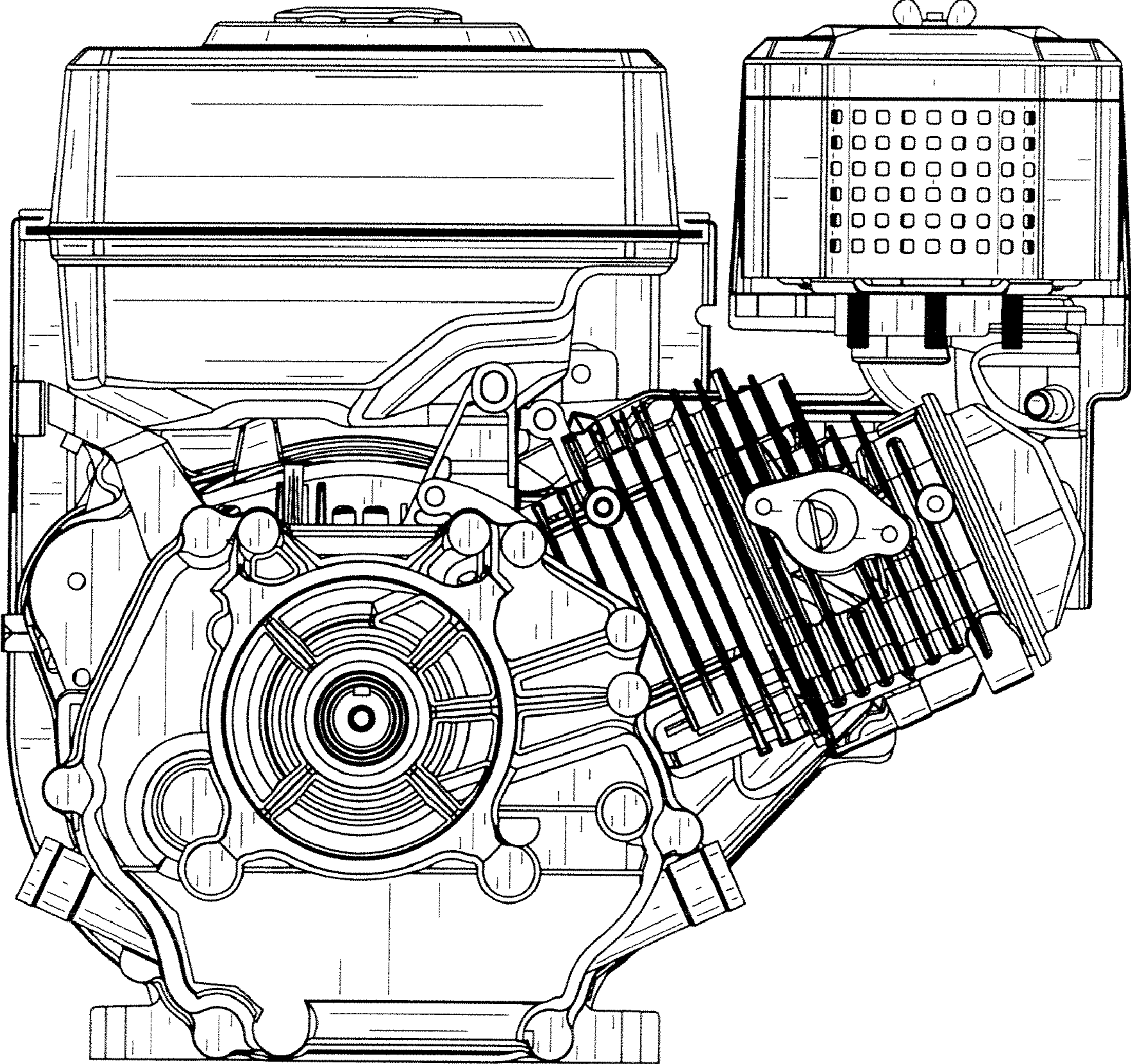


FIG. 3

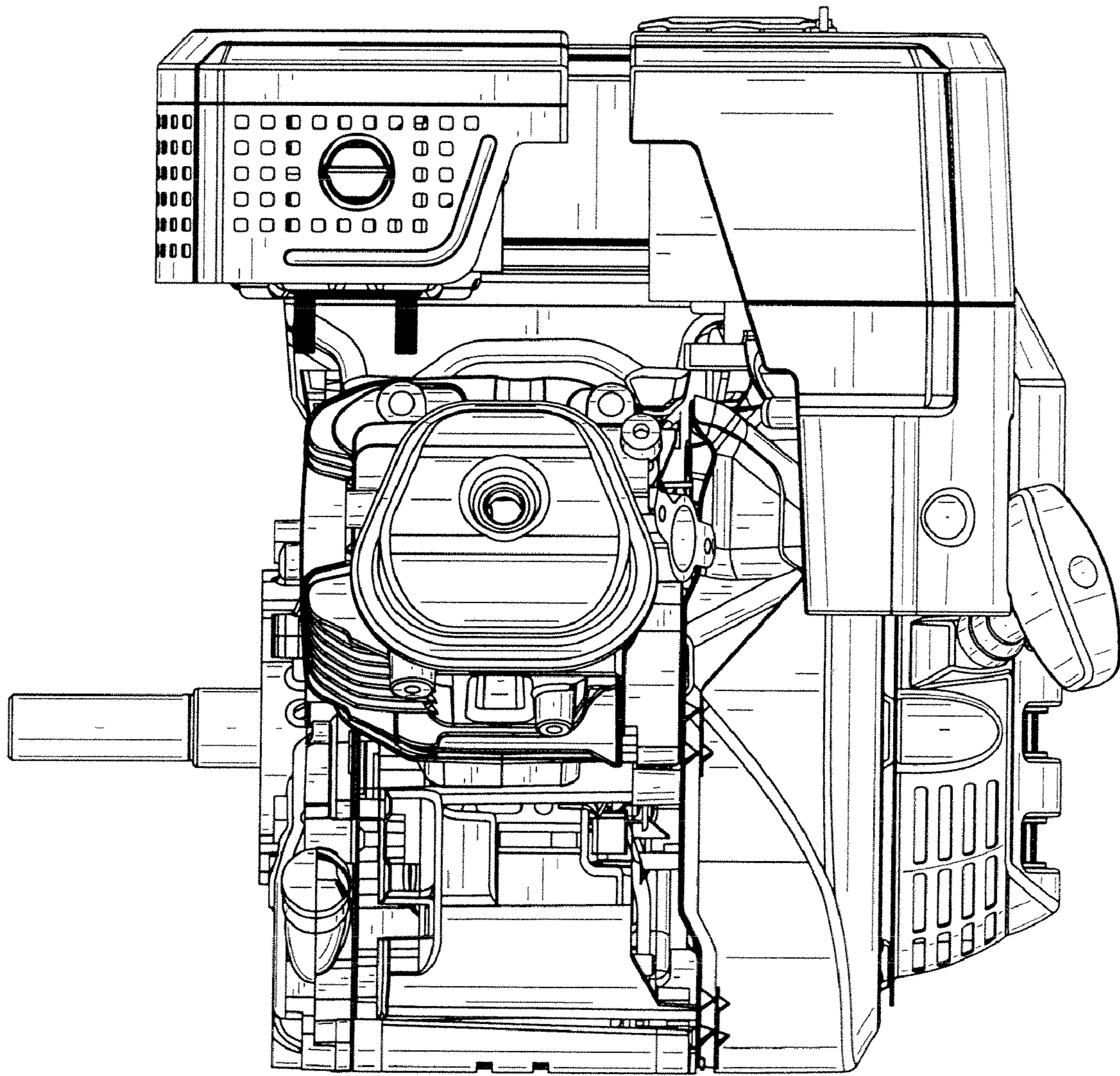


FIG. 4

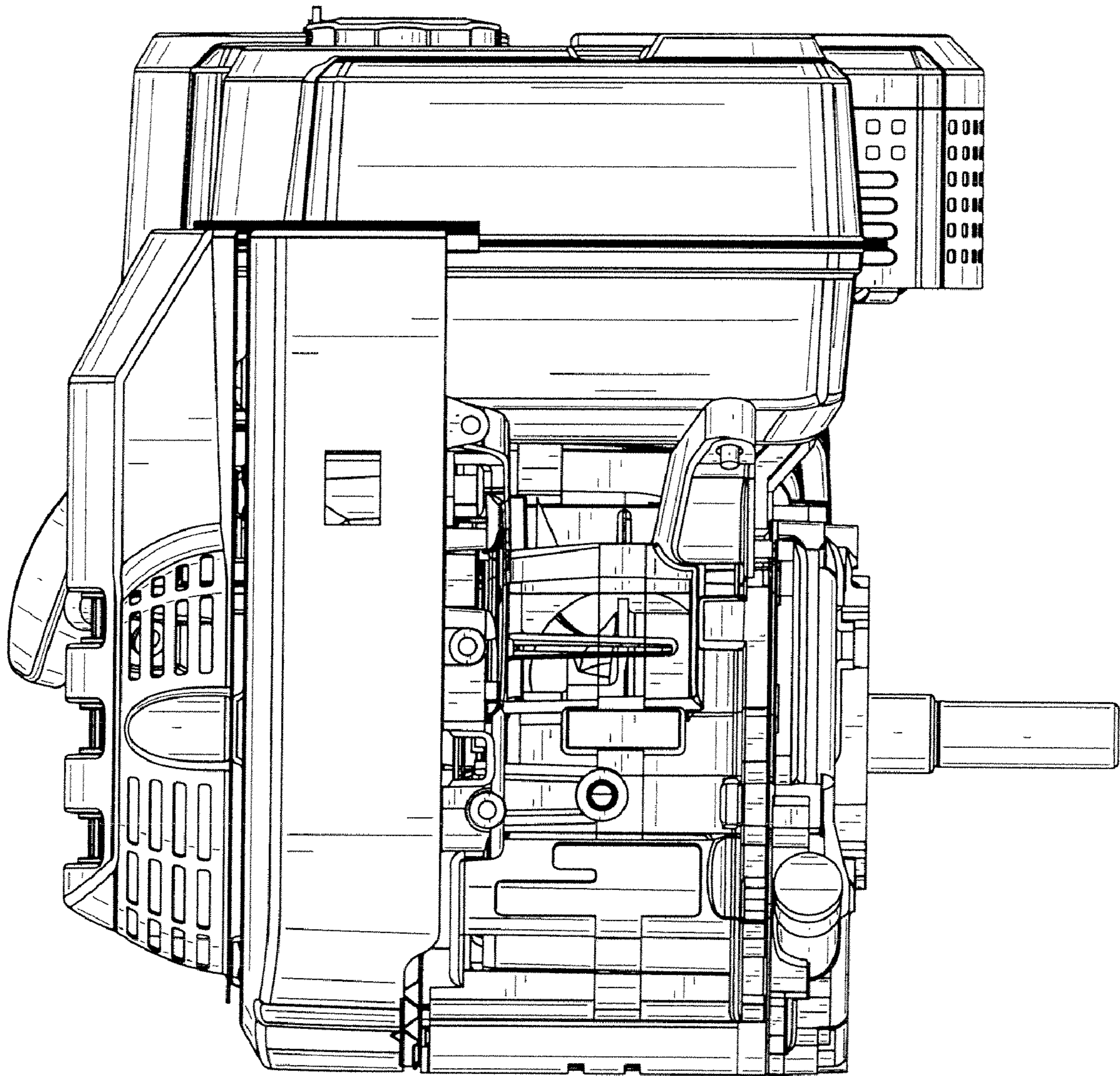


FIG. 5

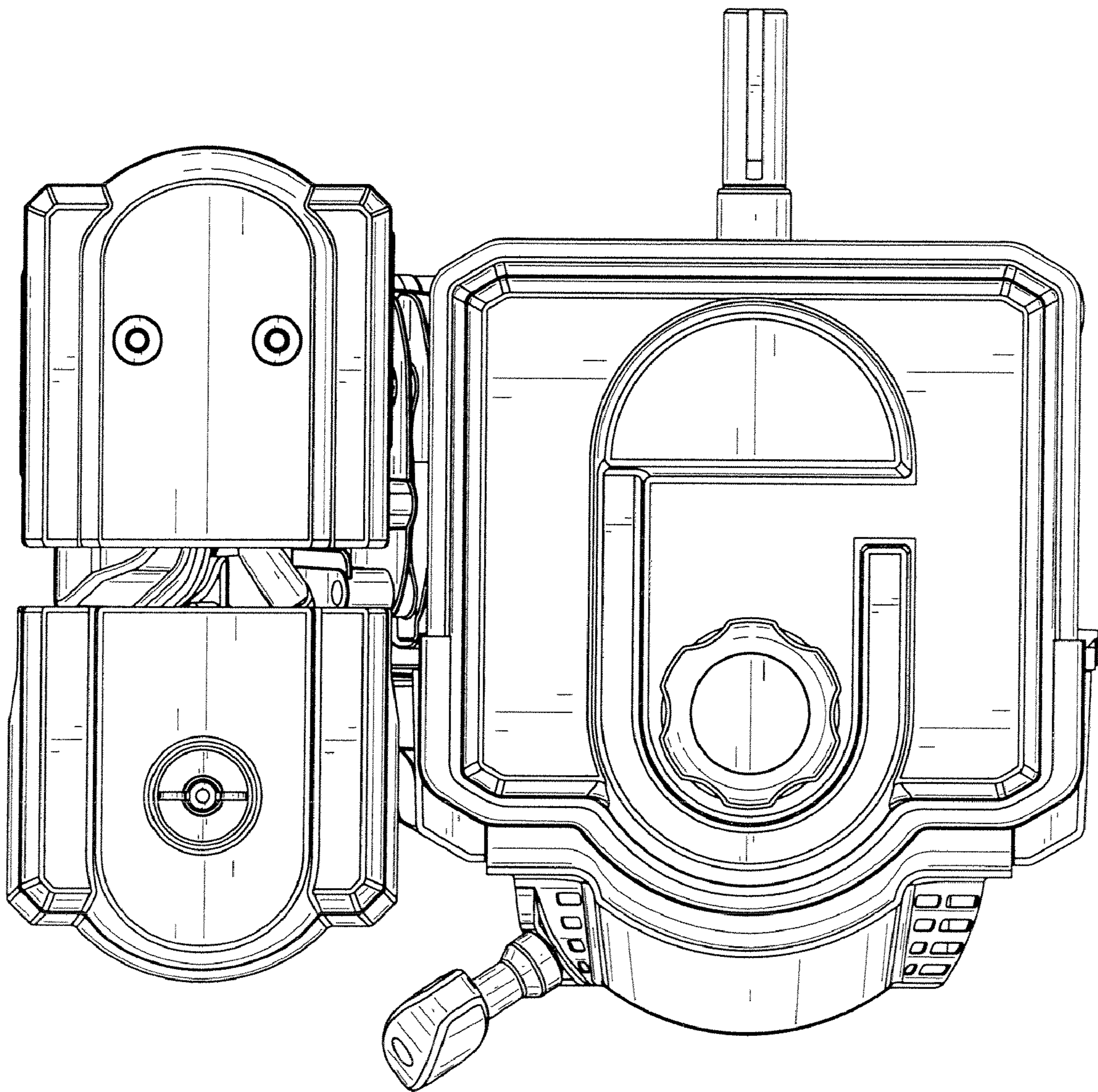


FIG. 6

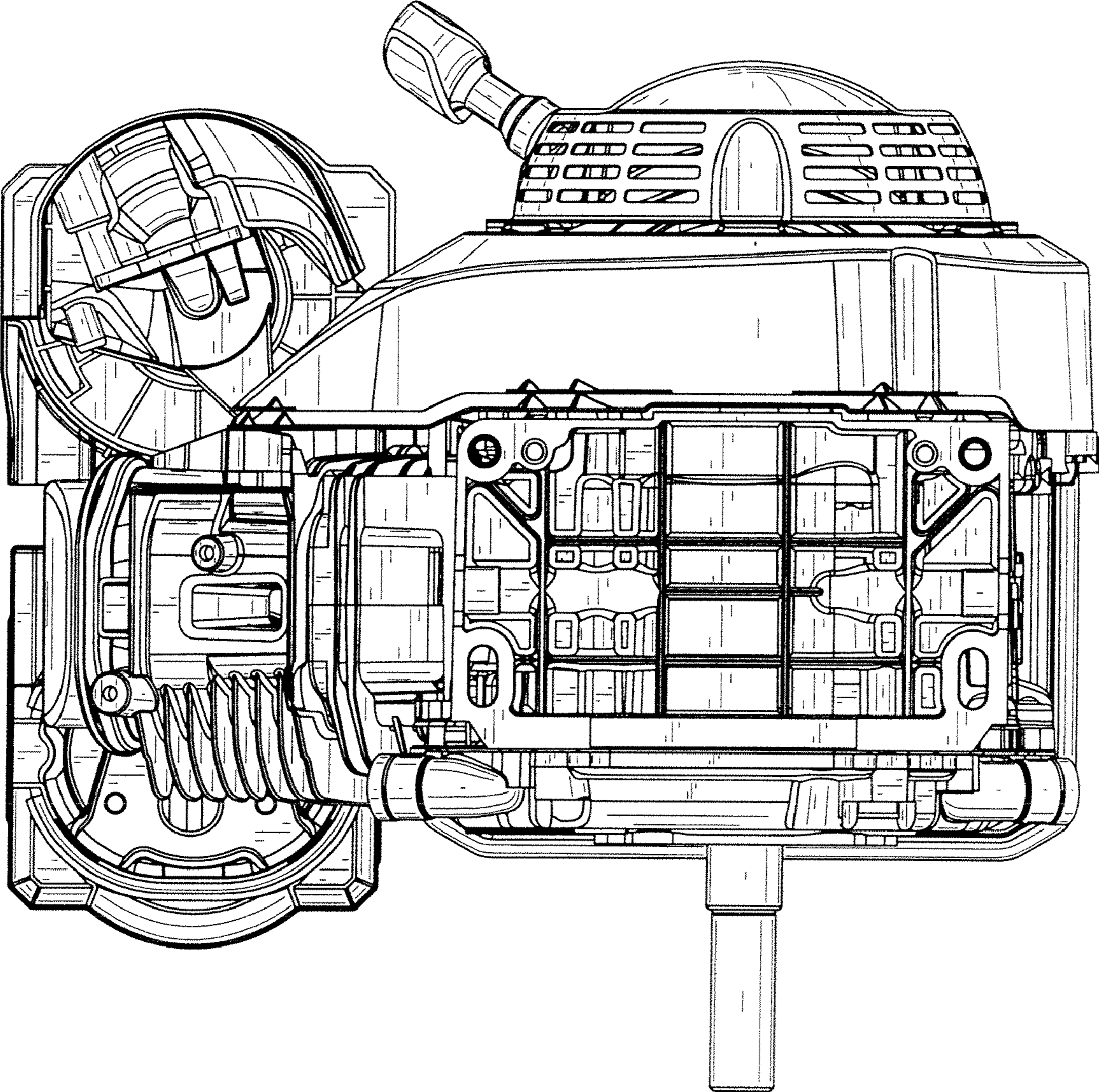


FIG. 7