



US00D609714S

(12) **United States Design Patent**
Oda et al.

(10) **Patent No.:** **US D609,714 S**
(45) **Date of Patent:** **** Feb. 9, 2010**

(54) **ELECTRONIC CAMERA**

(75) Inventors: **Akemi Oda**, Tokyo (JP); **Chinatsu Watanabe**, Tokyo (JP); **Yuuki Okabe**, Tokyo (JP); **Atsushi Misawa**, Saitama (JP)

(73) Assignee: **Fujifilm Corporation**, Tokyo (JP)

(**) Term: **14 Years**

(21) Appl. No.: **29/274,033**

(22) Filed: **Mar. 22, 2007**

(51) **LOC (9) Cl.** **32-00**

(52) **U.S. Cl.** **D14/485**; D14/489

(58) **Field of Classification Search** D14/485–495;
D18/23–33; D19/6, 52; D20/11; D21/324–333;
715/700–867, 973–977; 345/757, 782, 848,
345/852, 850, 809, 837, 798, 752, 163, 156,
345/537, 474, 836, 419, 649, 656, 659, 426,
345/427, 582, 428, 440, 660, 634, 902, 418,
345/629, 700, 744, 747, 473; 705/10, 5;
709/223

See application file for complete search history.

(56) **References Cited**

U.S. PATENT DOCUMENTS

5,530,795	A *	6/1996	Wan	715/759
5,708,786	A *	1/1998	Teruuchi	715/788
5,727,174	A *	3/1998	Aparicio et al.	715/837
5,920,313	A *	7/1999	Diedrichsen et al.	715/767
D423,484	S *	4/2000	Dangelmaier et al.	D14/485
6,075,531	A *	6/2000	DeStefano	715/788
D430,885	S *	9/2000	Coleman	D14/486
6,232,970	B1 *	5/2001	Bodnar et al.	715/708
6,300,951	B1 *	10/2001	Filetto et al.	715/797
6,542,168	B2 *	4/2003	Negishi et al.	715/781
6,597,358	B2 *	7/2003	Miller	345/427
D496,370	S *	9/2004	Gildred	D14/486
D501,211	S *	1/2005	Ligameri et al.	D14/486
6,996,783	B2 *	2/2006	Brown et al.	715/790
7,480,873	B2 *	1/2009	Kawahara	715/848

2002/0080185	A1 *	6/2002	Boeuf	345/802
2002/0118227	A1 *	8/2002	Salvatore	345/764
2002/0171682	A1 *	11/2002	Frank et al.	345/790
2003/0011639	A1 *	1/2003	Webb	345/808
2003/0142143	A1 *	7/2003	Brown et al.	345/836
2003/0164856	A1 *	9/2003	Prager et al.	345/764
2003/0169298	A1 *	9/2003	Ording	345/810
2003/0189597	A1 *	10/2003	Anderson et al.	345/778
2003/0197732	A1 *	10/2003	Gupta	345/764
2003/0226115	A1 *	12/2003	Wall et al.	715/526
2004/0255254	A1 *	12/2004	Weingart et al.	715/804
2006/0101350	A1 *	5/2006	Scott	715/779
2006/0112354	A1 *	5/2006	Park et al.	715/835

* cited by examiner

Primary Examiner—Susan Moon Lee

(74) *Attorney, Agent, or Firm*—Young & Thompson

(57) **CLAIM**

The ornamental design for an electronic camera, as shown and described.

DESCRIPTION

FIG. 1 is a front view of an electronic camera according to a first embodiment of the present design;

FIG. 2 is a rear view thereof;

FIG. 3 is a top view thereof;

FIG. 4 is a bottom view thereof;

FIG. 5 is a right side view thereof; and

FIG. 6 is a left side view thereof.

FIG. 7 is a front view of the electronic camera according to a second embodiment of the present design;

FIG. 8 is a rear view thereof;

FIG. 9 is a top view thereof;

FIG. 10 is a bottom view thereof;

FIG. 11 is a right side view thereof; and,

FIG. 12 is a left side view thereof.

The portions shown in broken line are not claimed.

1 Claim, 6 Drawing Sheets

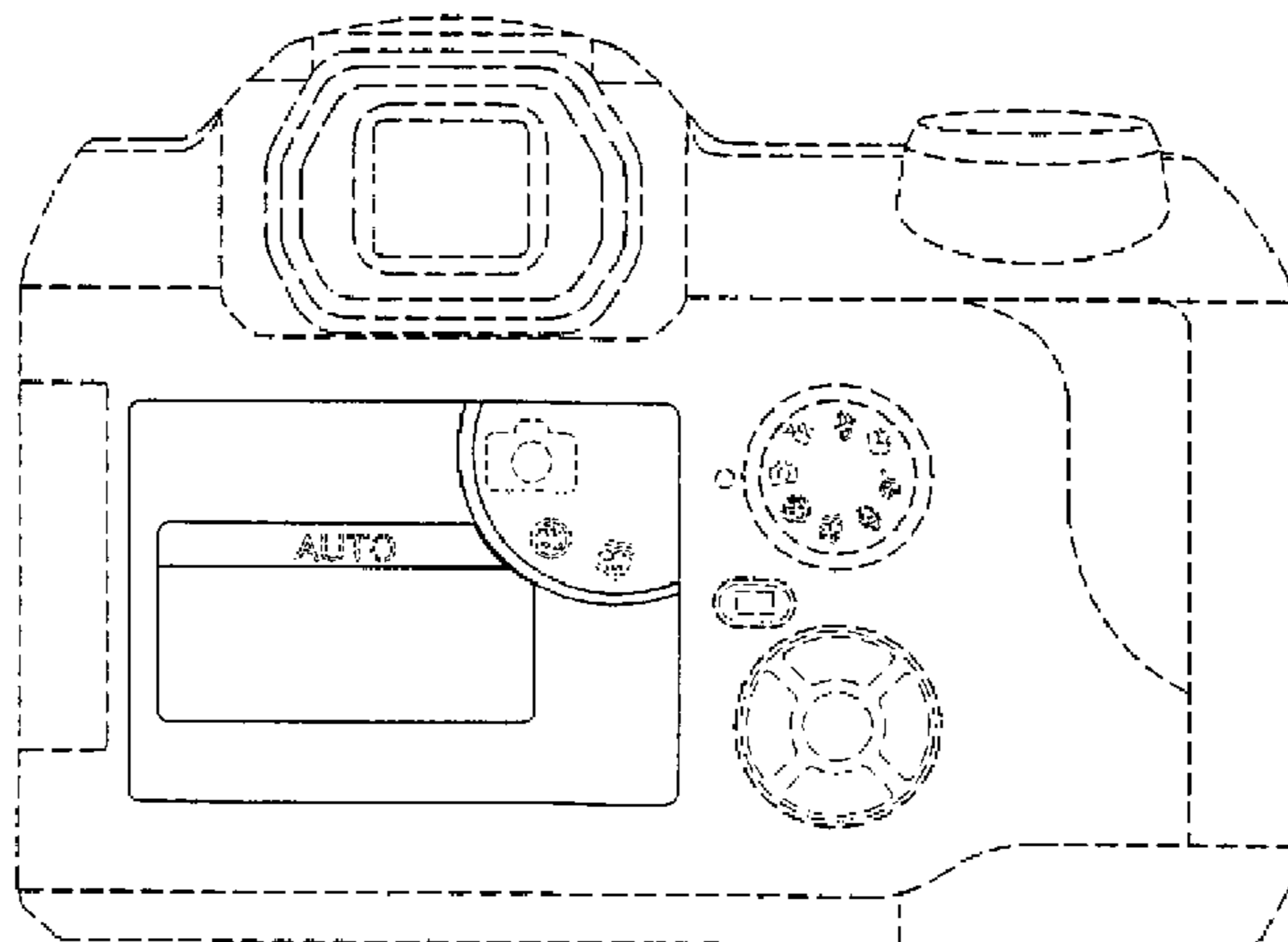


FIG. 1

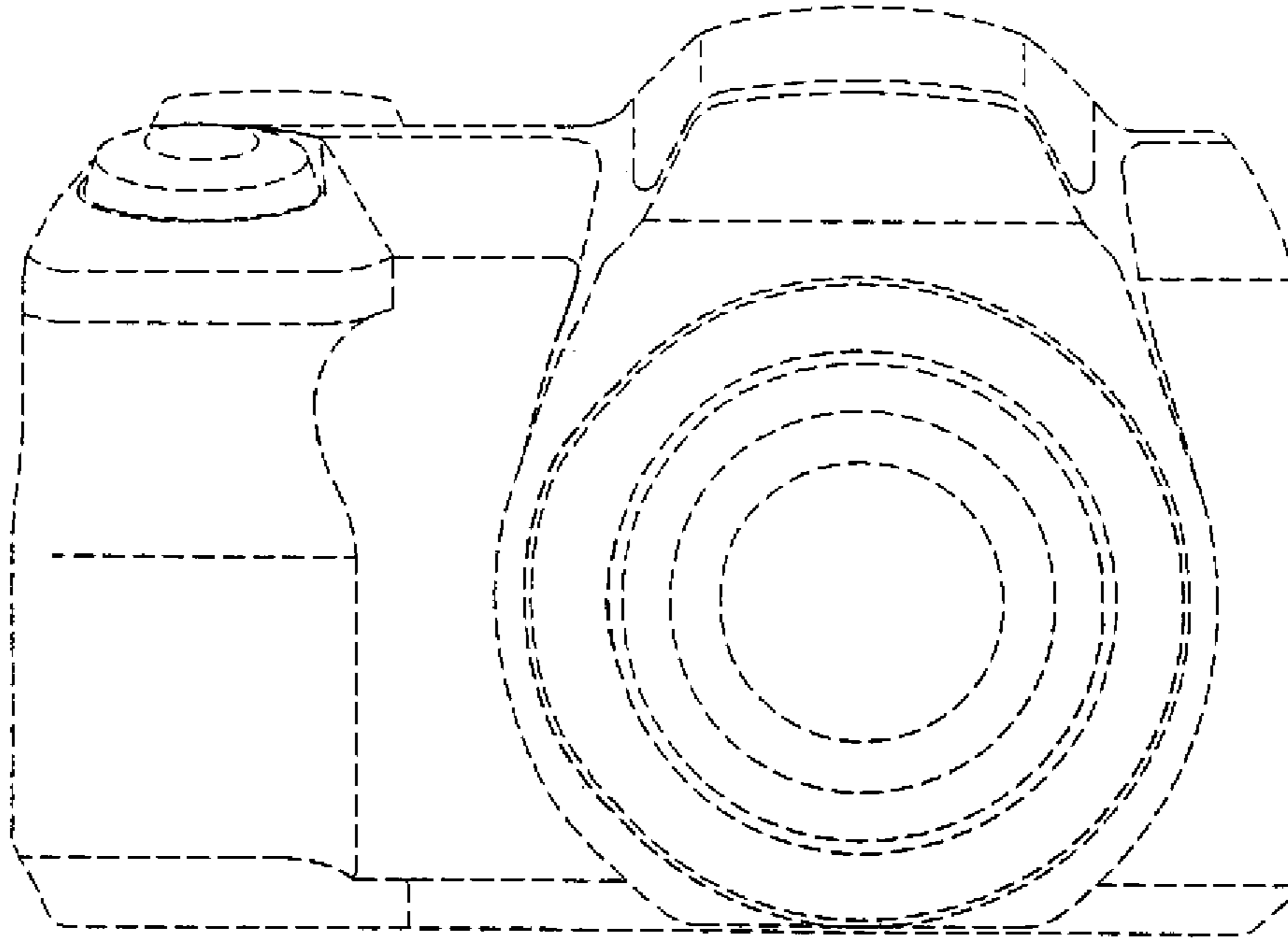


FIG. 2

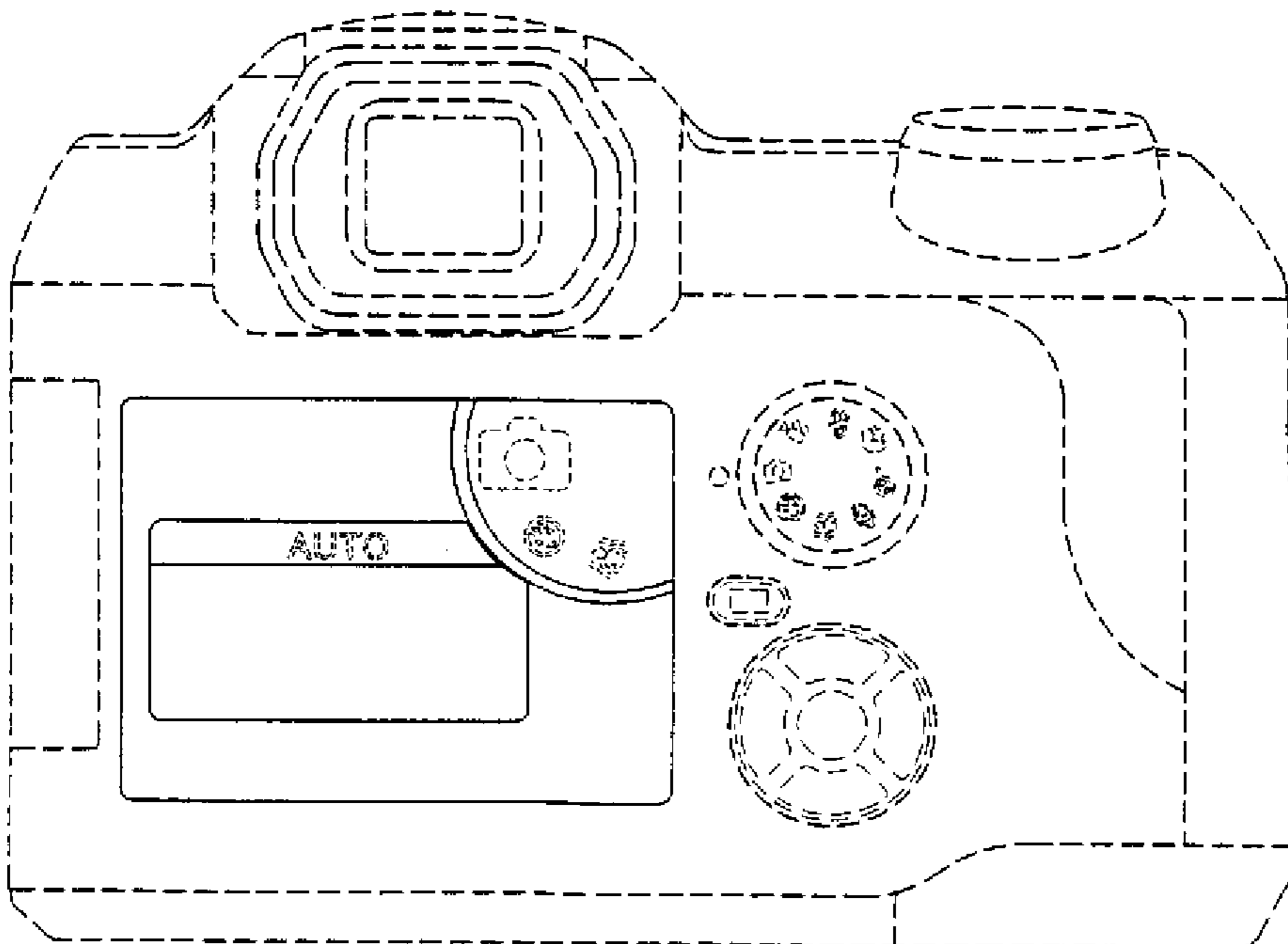


FIG. 3

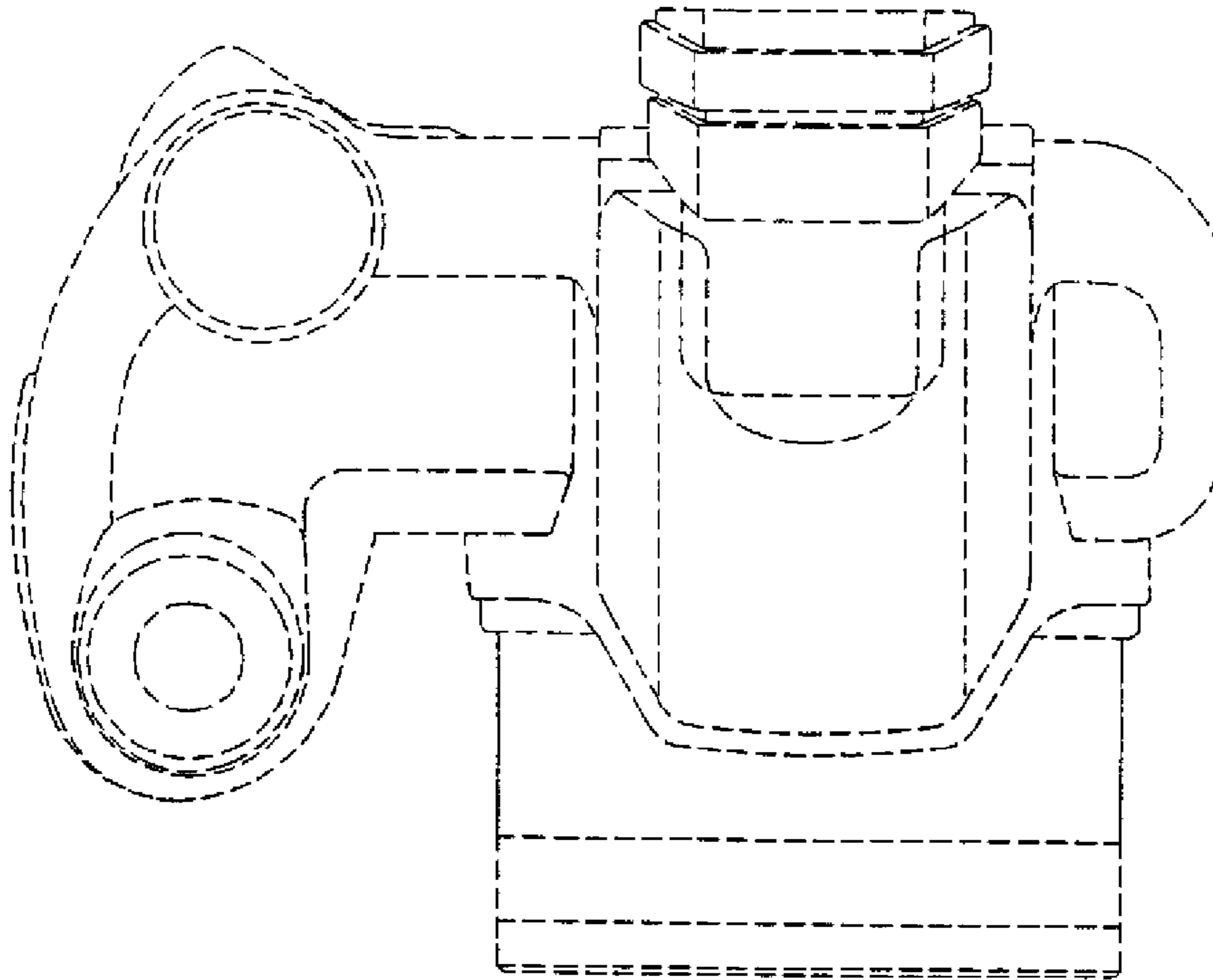


FIG. 4

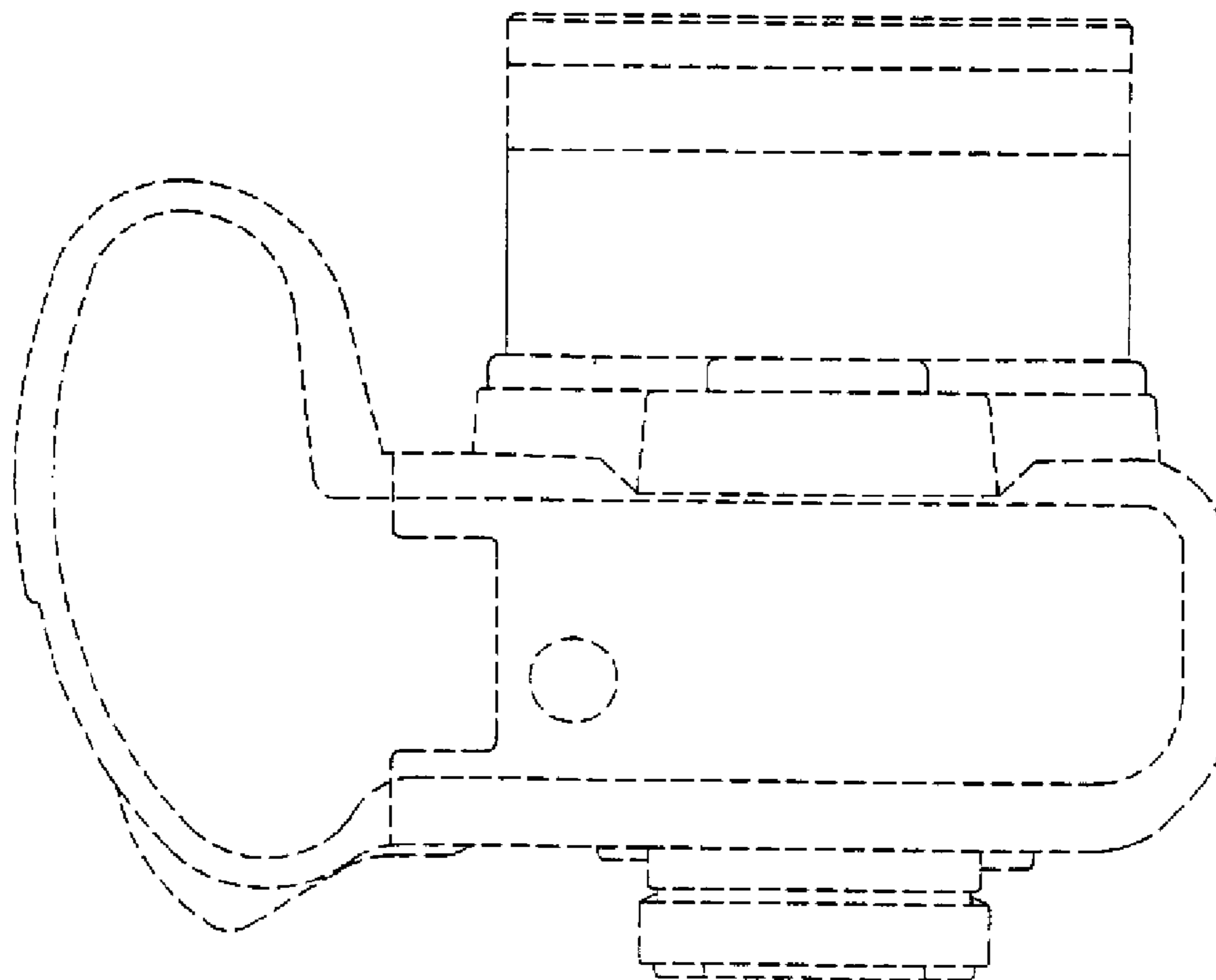


FIG. 5

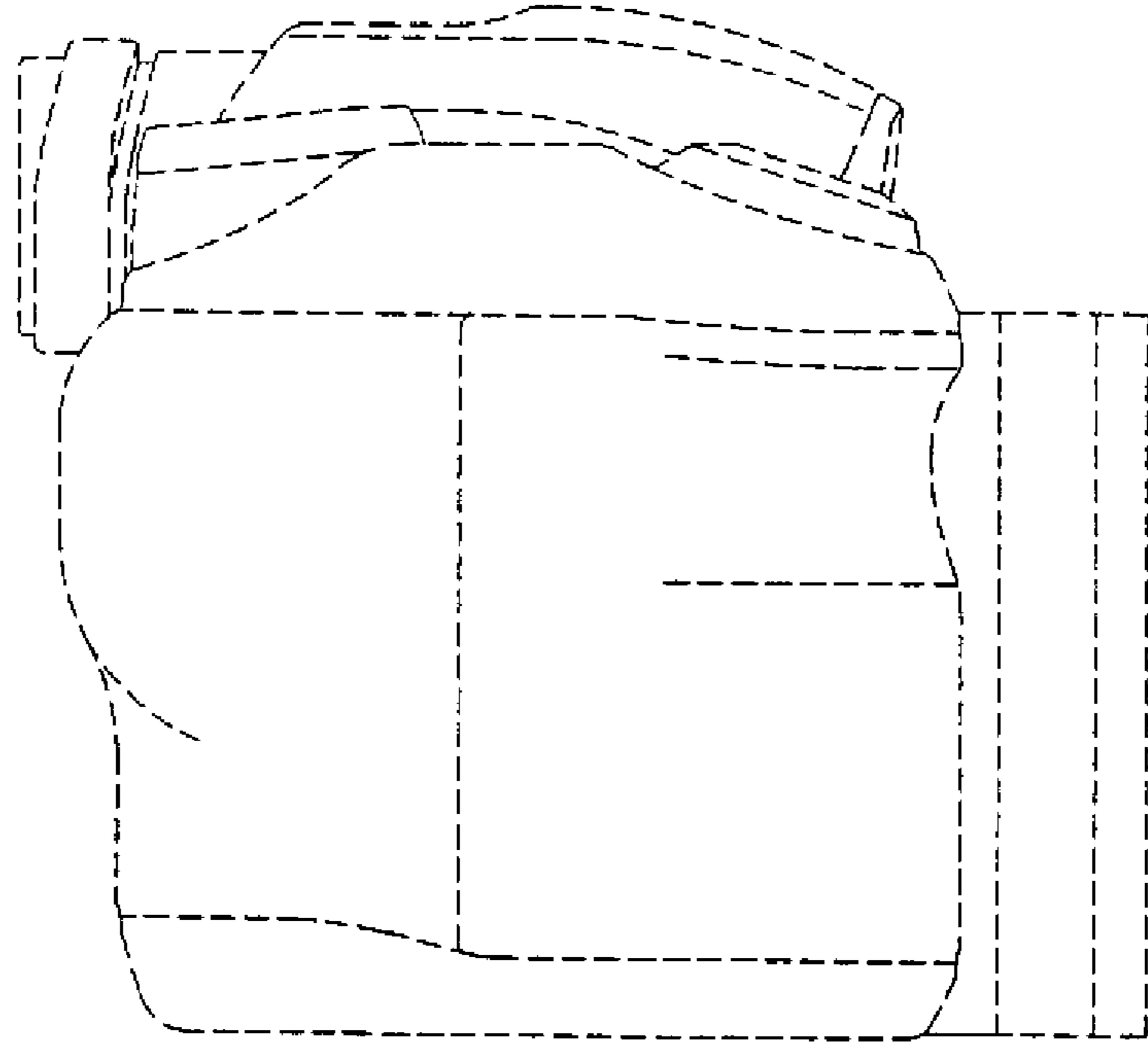


FIG. 6

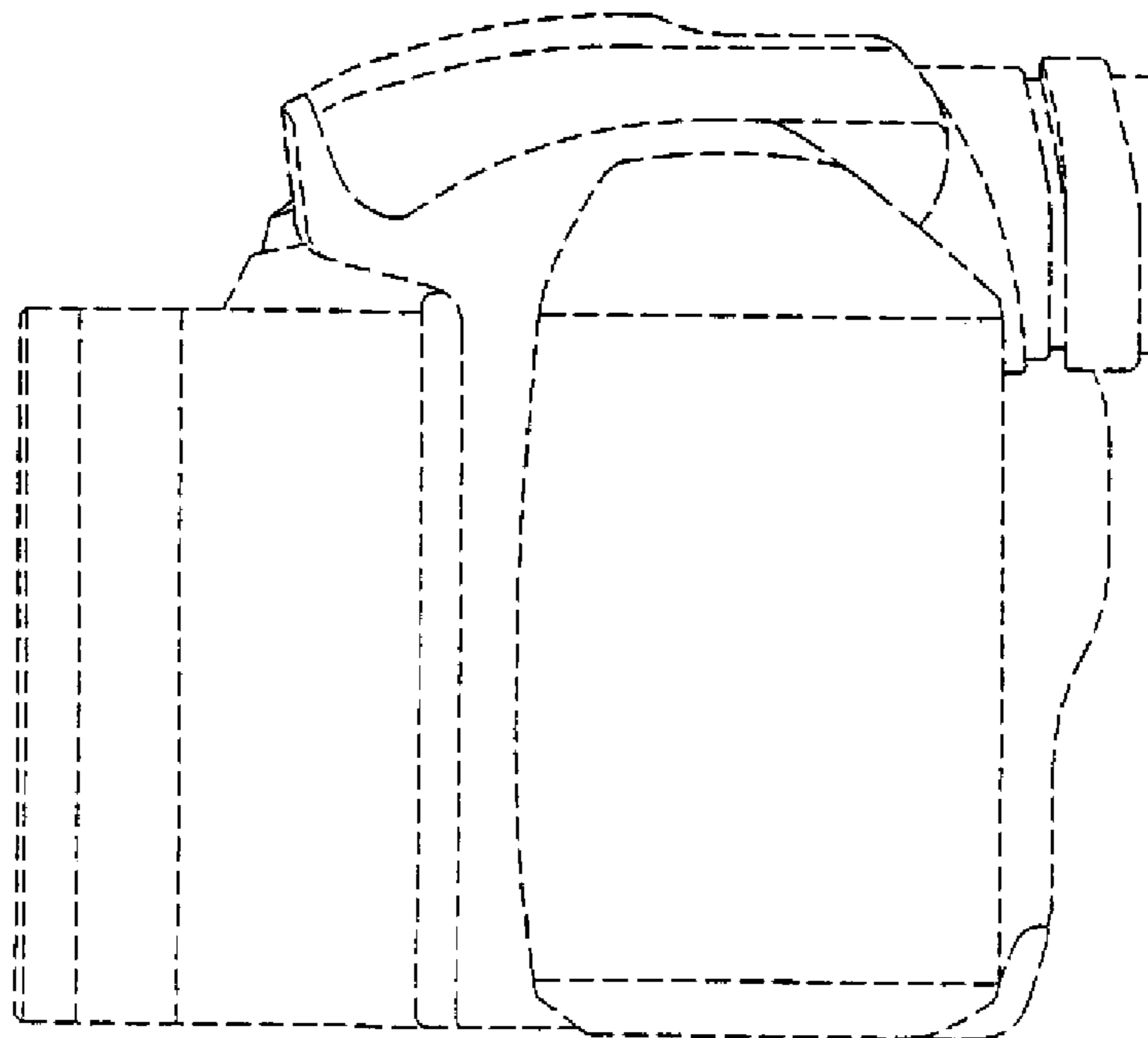


FIG. 7

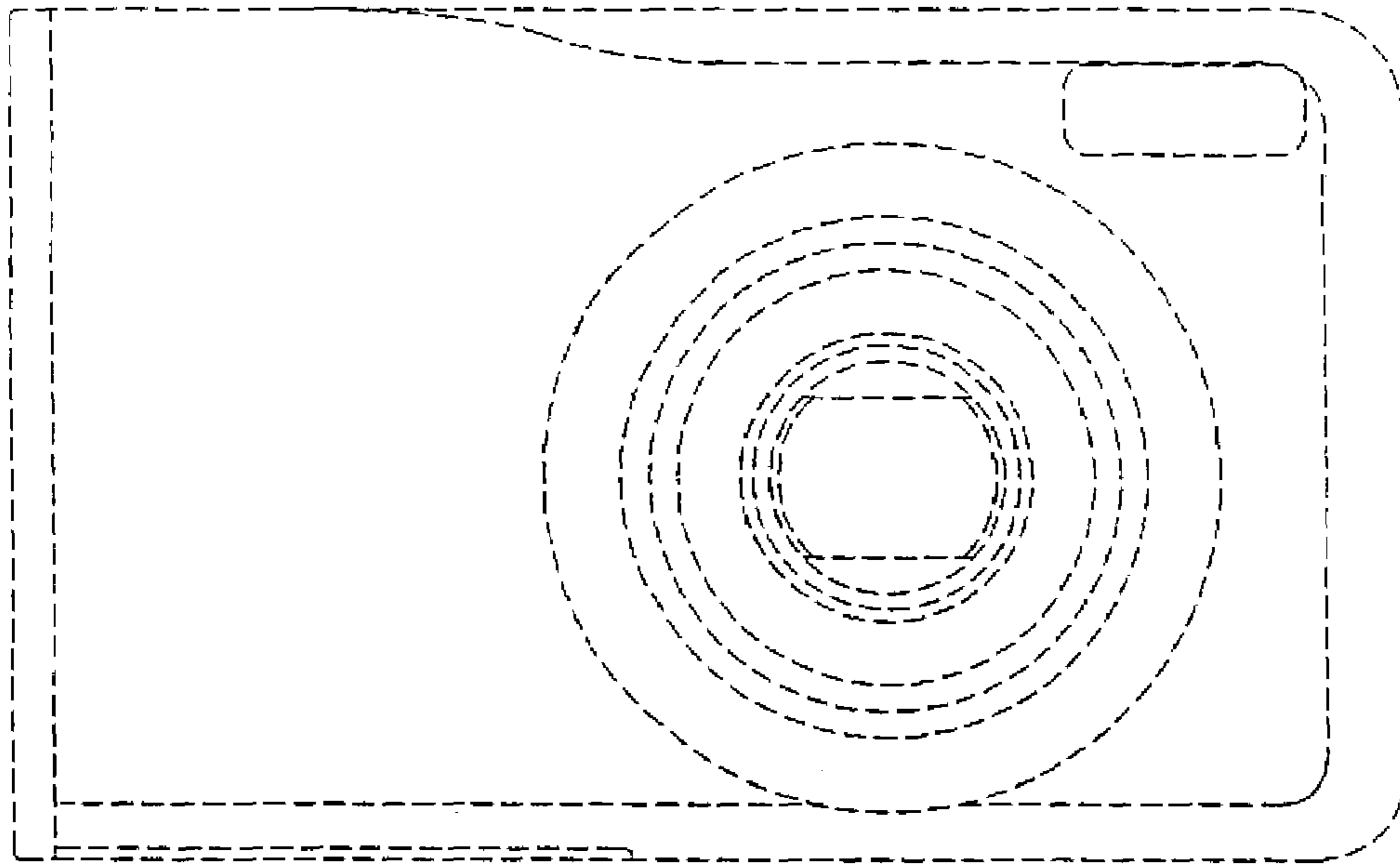


FIG. 8

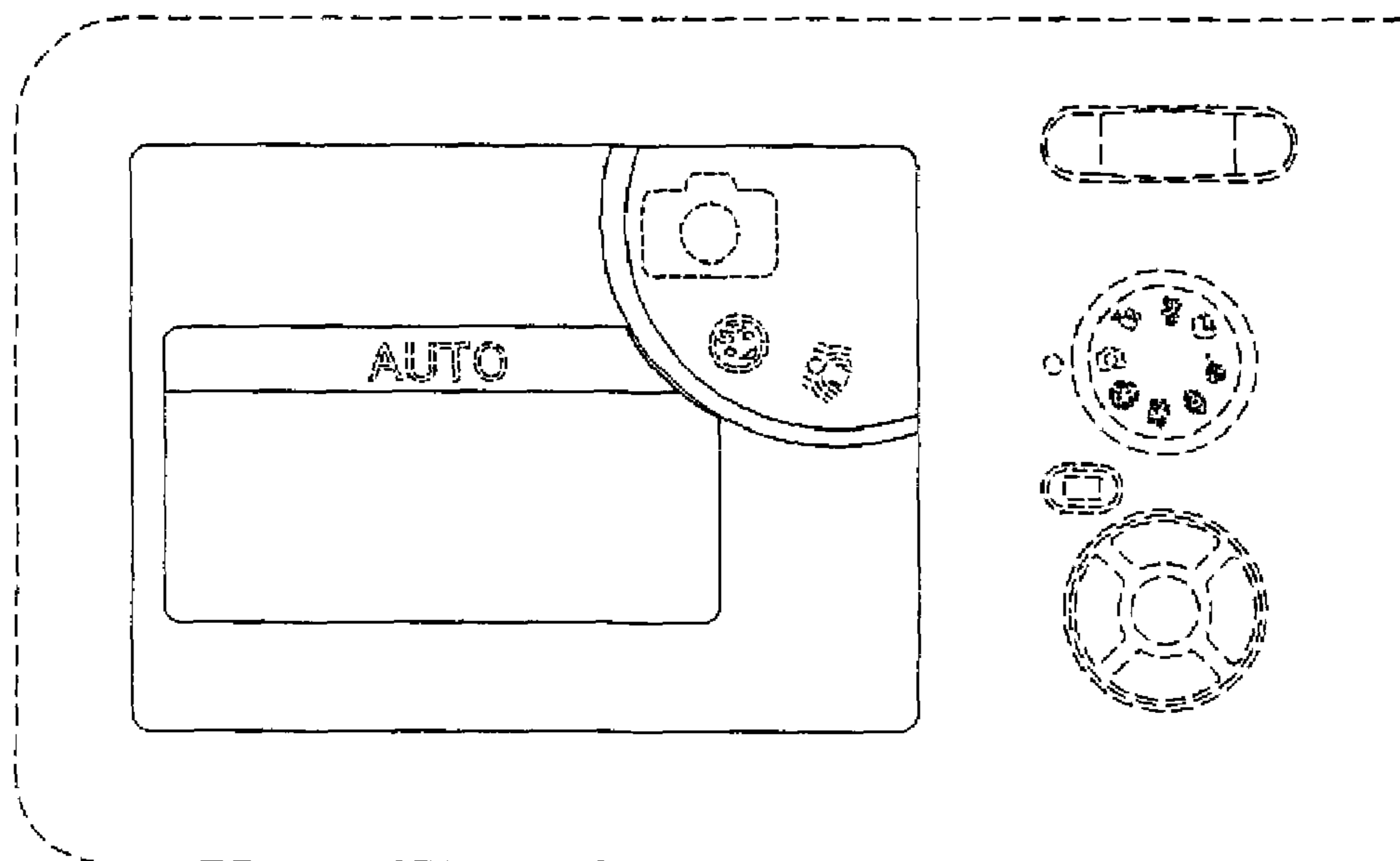


FIG. 9

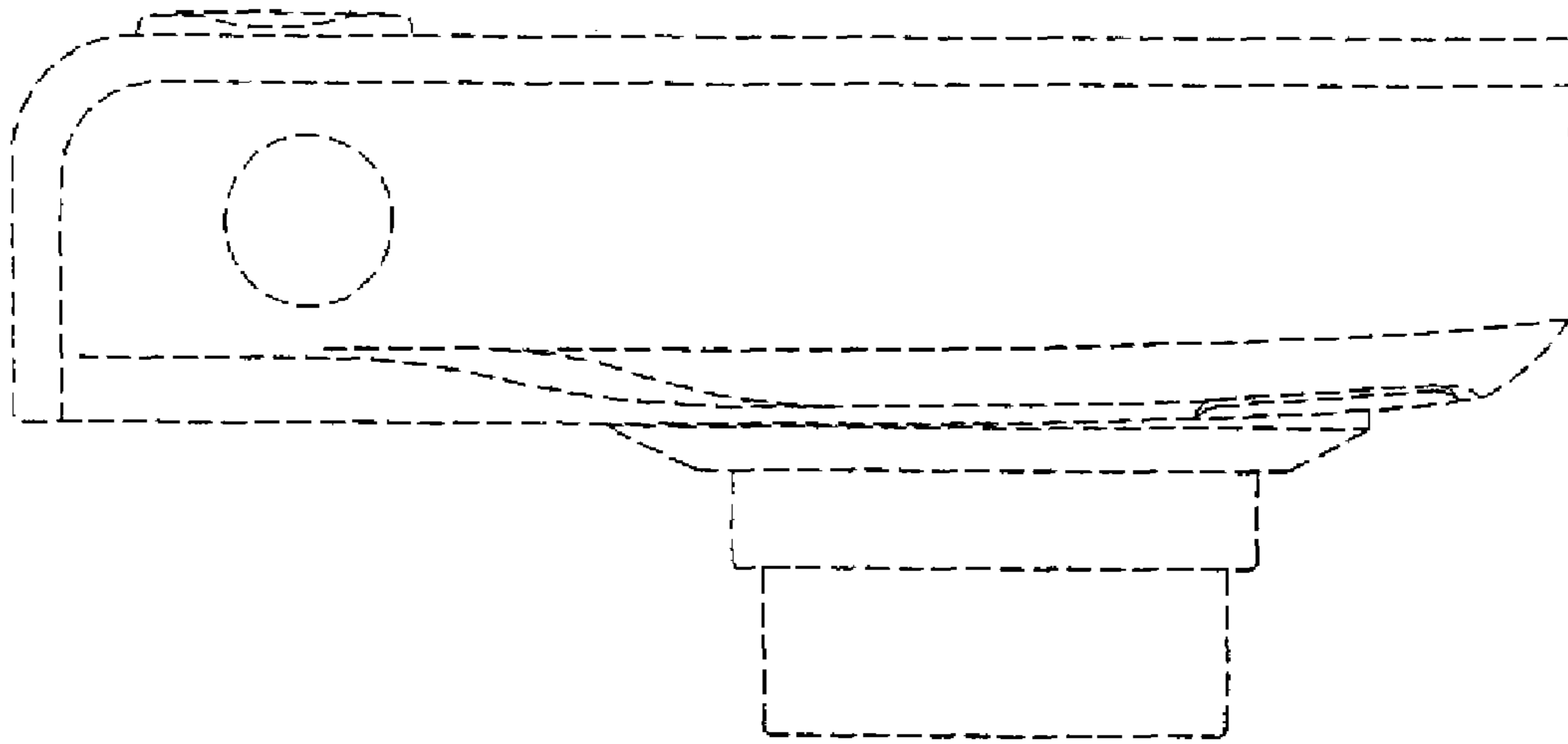


FIG. 10

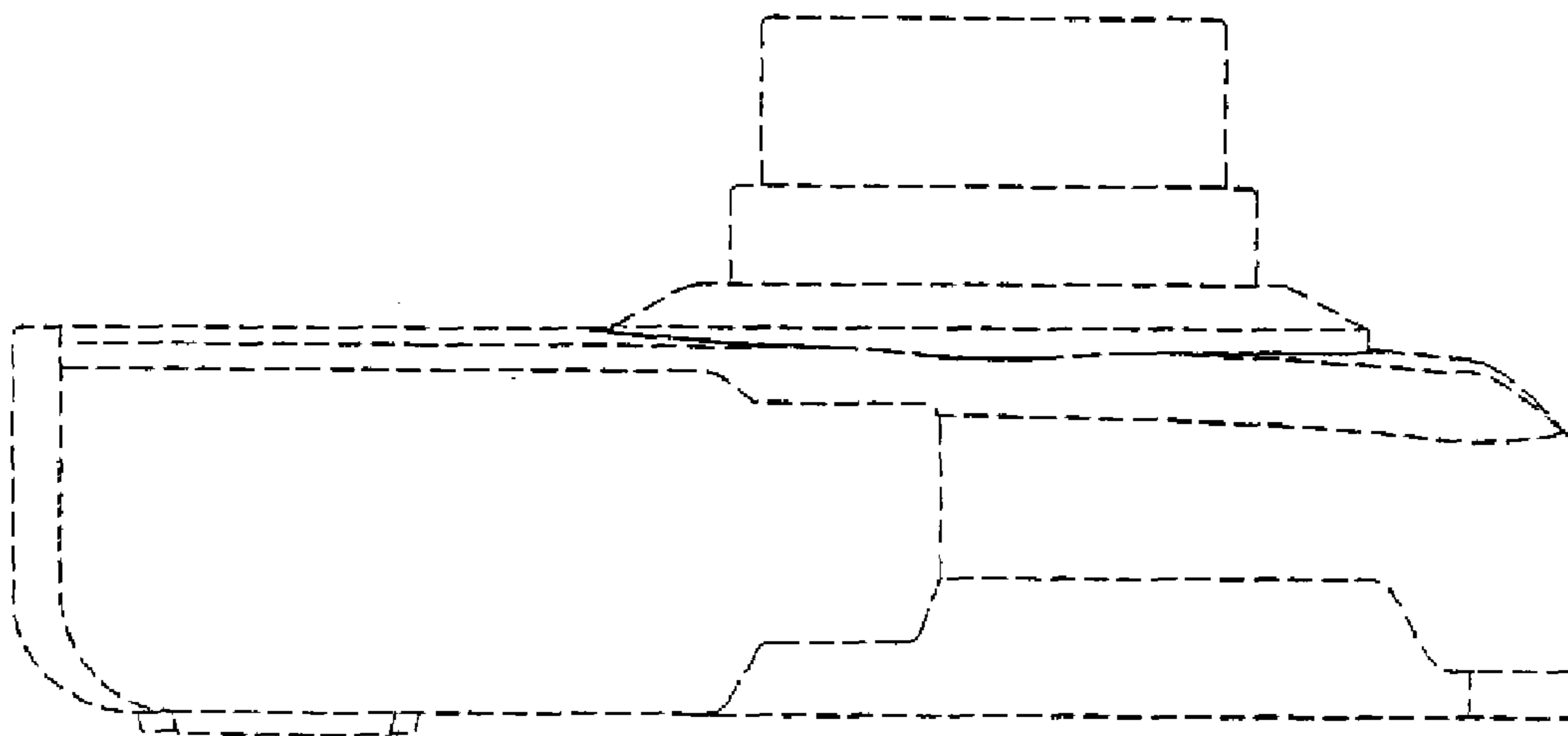


FIG. 11

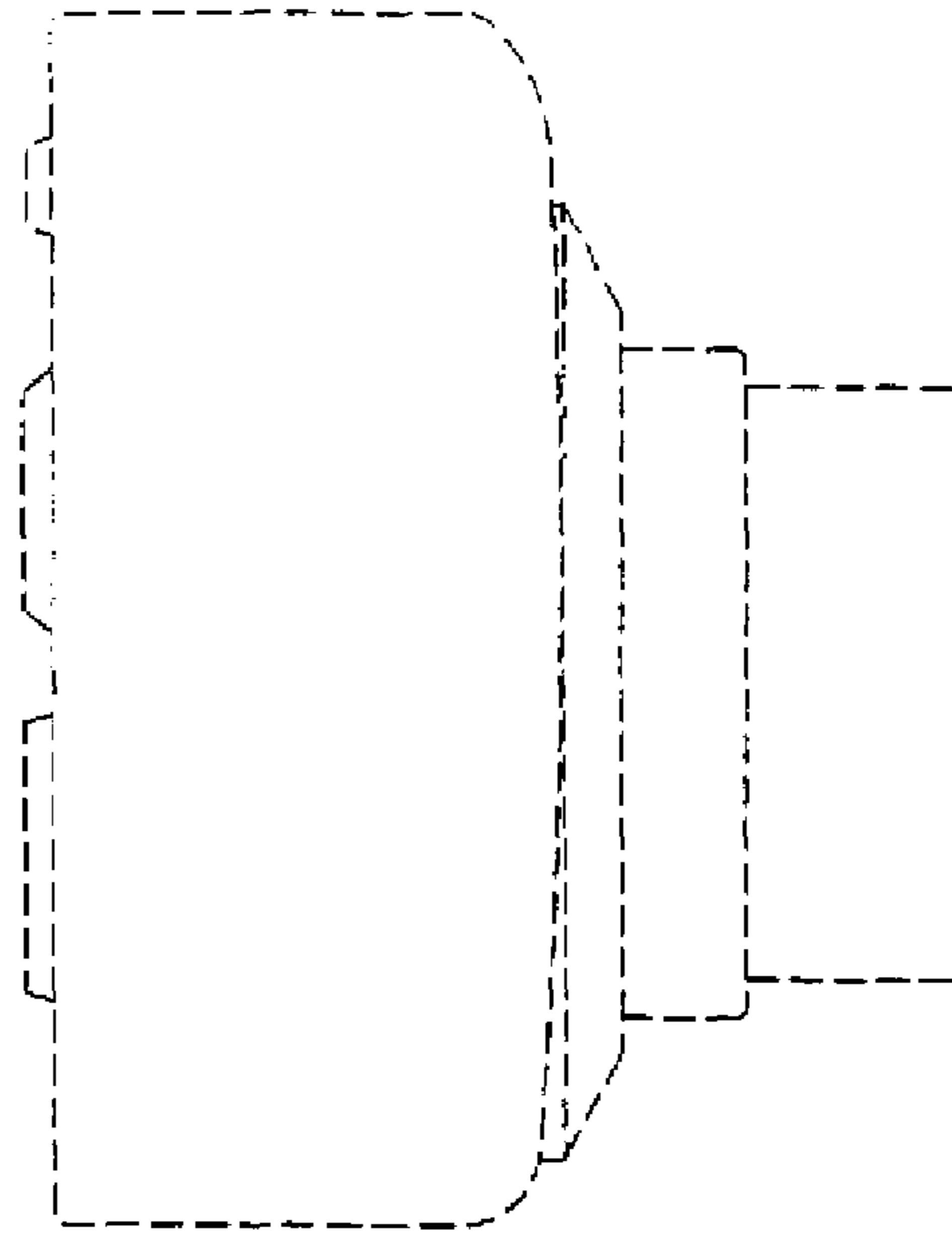


FIG. 12

