



US00D609713S

(12) **United States Design Patent**
Du et al.

(10) **Patent No.:** **US D609,713 S**
(45) **Date of Patent:** **** Feb. 9, 2010**

(54) **DATA CARD**

(75) Inventors: **Kun Du**, Guangdong (CN); **Chung-Kun Hou**, Taipei (TW)

(73) Assignee: **FIH (Hong Kong) Limited**, Kowloon (HK)

(**) Term: **14 Years**

(21) Appl. No.: **29/327,722**

(22) Filed: **Nov. 12, 2008**

(30) **Foreign Application Priority Data**

Sep. 19, 2008 (CN) 2008 3 0301511

(51) **LOC (9) Cl.** **14-99**

(52) **U.S. Cl.** **D14/480.6; D14/436**

(58) **Field of Classification Search** D14/300-302, D14/314, 348-358, 411, 432, 433, 435.1, D14/436, 480.1-480.7, 484.1, 496, 125, 137, D14/155, 167, 168, 203.1-203.8, 240, 242, D14/299; D13/107, 108, 149, 184; 312/223.1, 312/223.2; 369/34.01, 36.01, 272.1; 360/97.01, 360/132, 133, 135; 361/752; 710/300, 301; 439/131, 135-147

See application file for complete search history.

(56) **References Cited**

U.S. PATENT DOCUMENTS

D223,253 S *	4/1972	Zecca	D13/184
D307,214 S *	4/1990	Litton	D3/208
D329,426 S *	9/1992	Hutton	D13/184
D363,064 S *	10/1995	Rogov	D14/433
6,249,431 B1 *	6/2001	Chan	361/679.27
D488,158 S *	4/2004	Chen et al.	D14/433
D494,562 S *	8/2004	Lee	D14/203.3
6,786,743 B2 *	9/2004	Huang	439/131

7,097,472 B2 *	8/2006	Parker	439/131
D532,776 S *	11/2006	Griffin	D14/435.1
D537,036 S *	2/2007	Chen	D13/133
7,179,099 B2 *	2/2007	Hsieh	439/131
D542,242 S *	5/2007	Mathews Reynolds	
		et al.	D14/125
D556,196 S *	11/2007	Cheng	D14/356
D590,392 S *	4/2009	Wang	D14/356
D592,660 S *	5/2009	Wang	D14/356
D596,182 S *	7/2009	Kim et al.	D14/435.1
2004/0209500 A1 *	10/2004	Chang	439/131

* cited by examiner

Primary Examiner—Cathron C Brooks

Assistant Examiner—Karen E Kearney

(74) *Attorney, Agent, or Firm*—Steven M. Reiss

(57) **CLAIM**

The ornamental design for a data card, as shown and described.

DESCRIPTION

FIG. 1 is a front perspective view of a data card showing our design;

FIG. 2 is a rear perspective view thereof;

FIG. 3 is a front elevational view thereof;

FIG. 4 is a rear elevational view thereof;

FIG. 5 is a left side elevational view thereof;

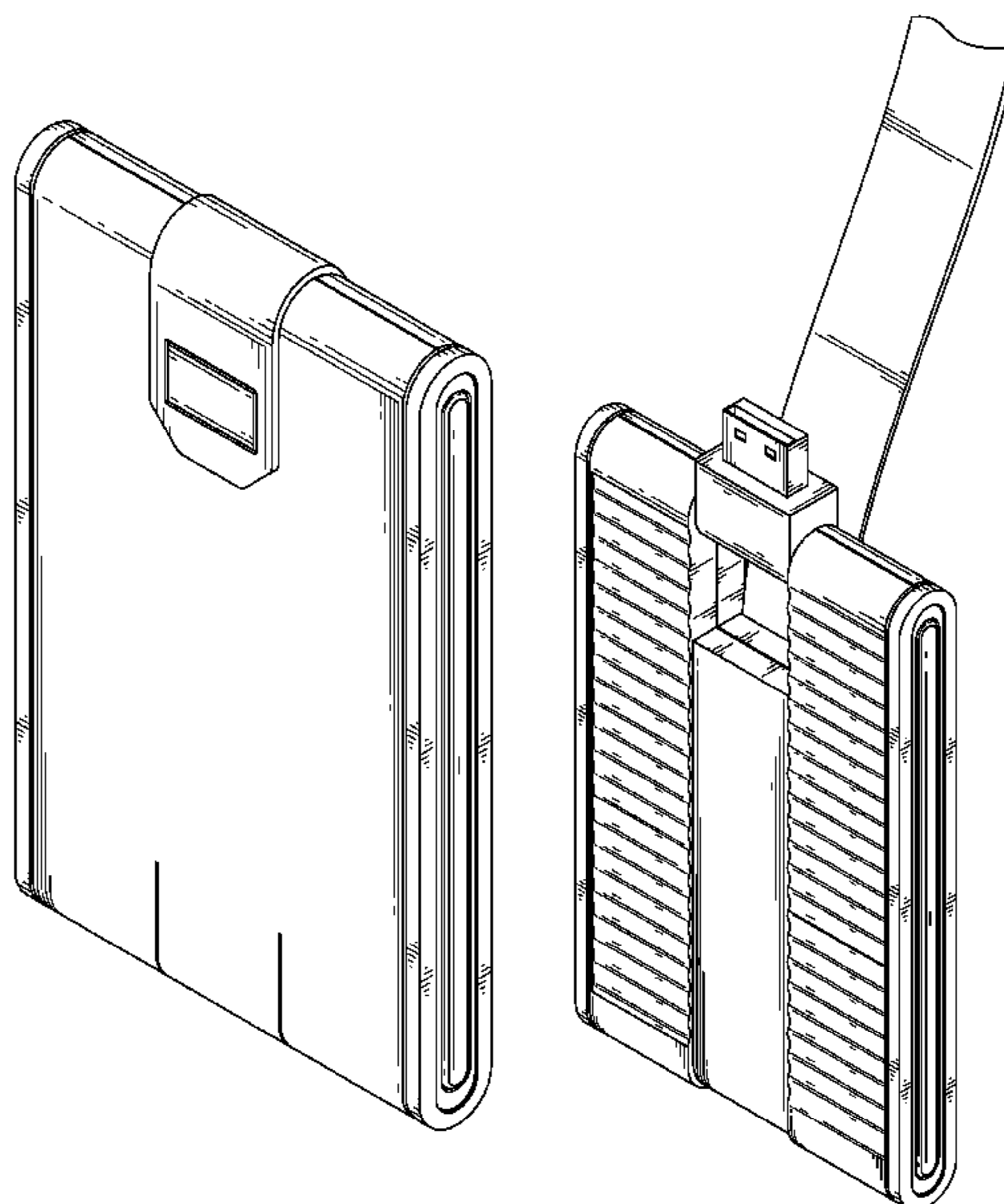
FIG. 6 is a right side elevational view thereof;

FIG. 7 is a top plan view thereof;

FIG. 8 is a bottom plan view thereof; and,

FIG. 9 is a rear perspective thereof shown with the movable strap unclamped, revolved below the card, and bent upwards at the front. The USB connector is shown in an open position. The strap is partially shown for ease of illustration.

1 Claim, 9 Drawing Sheets



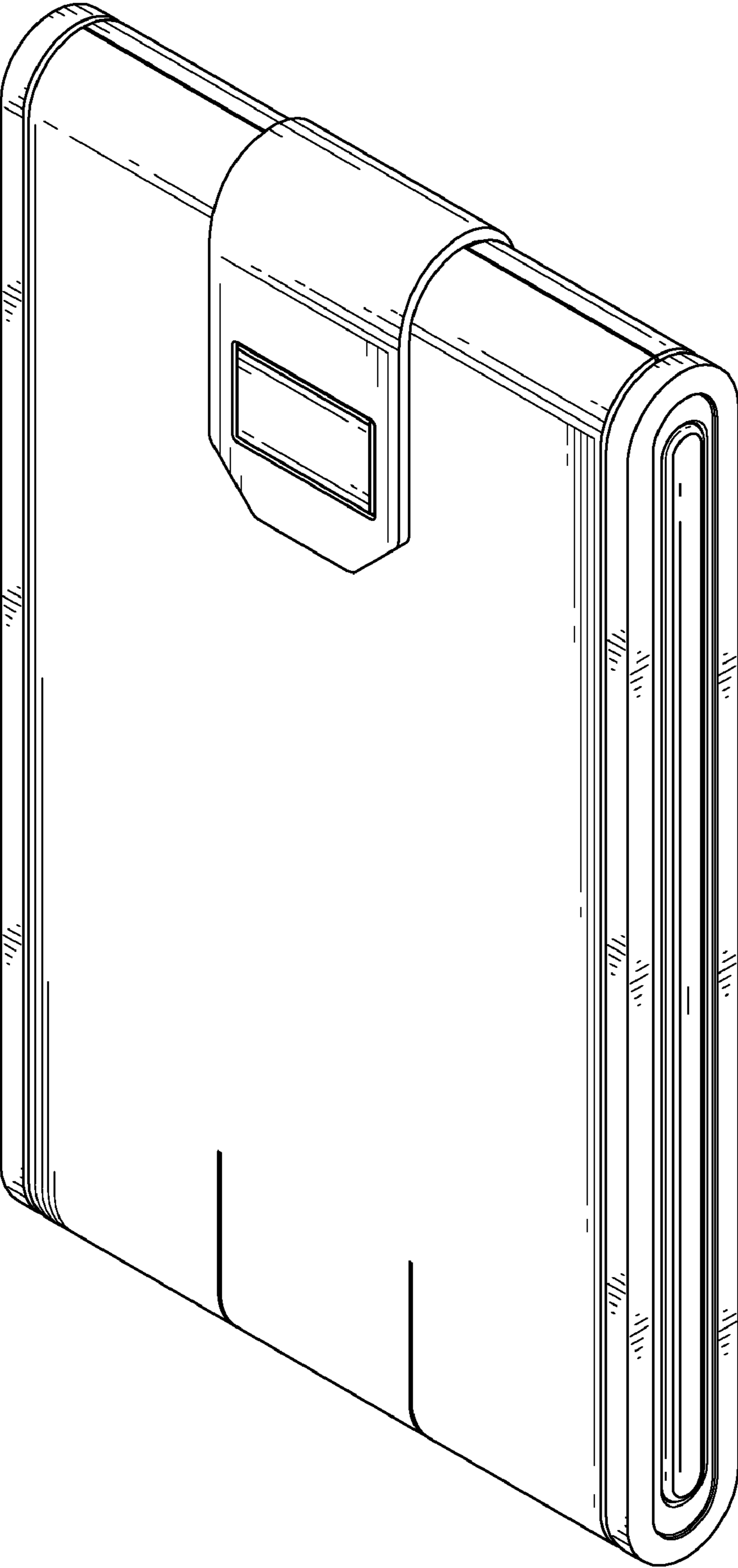


FIG. 1

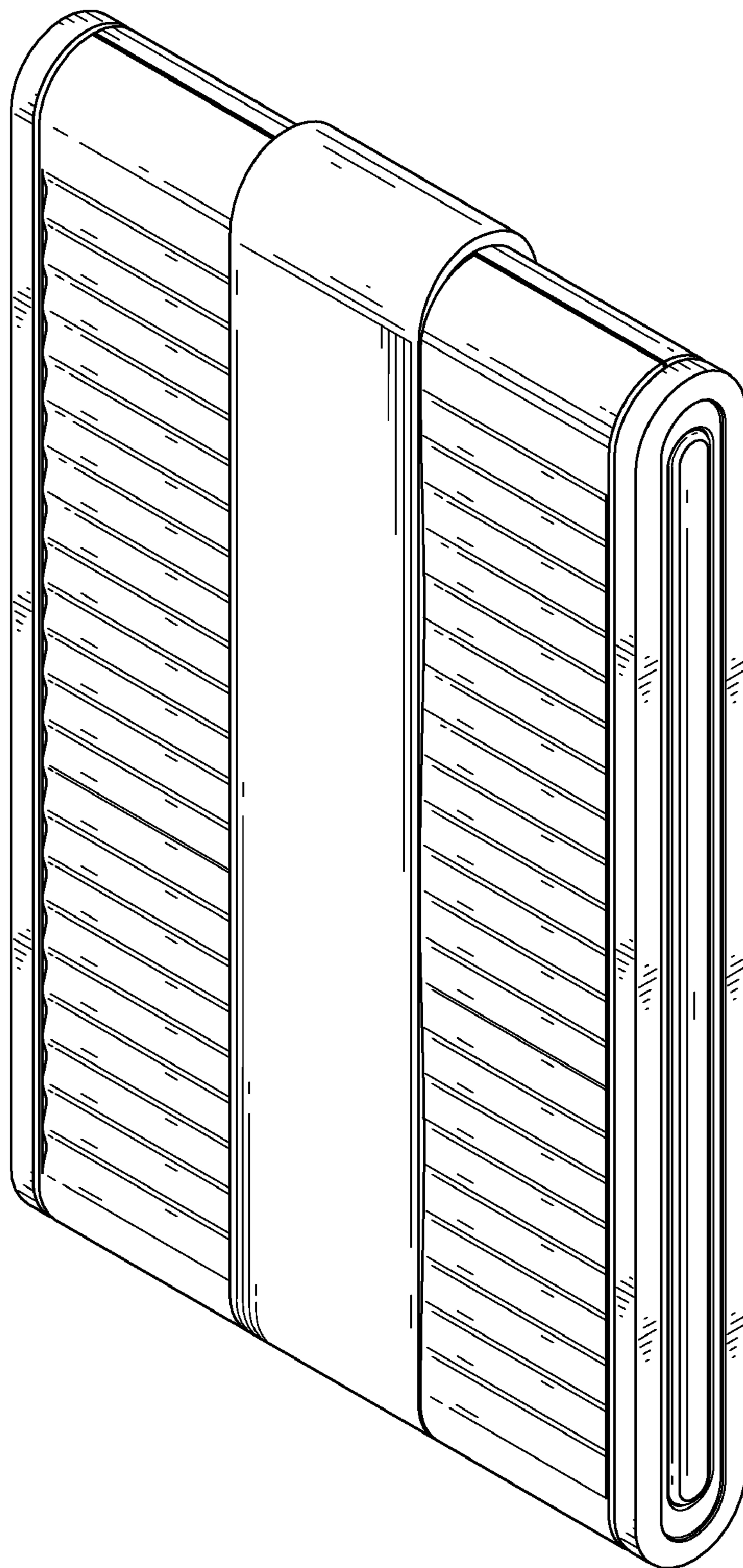


FIG. 2

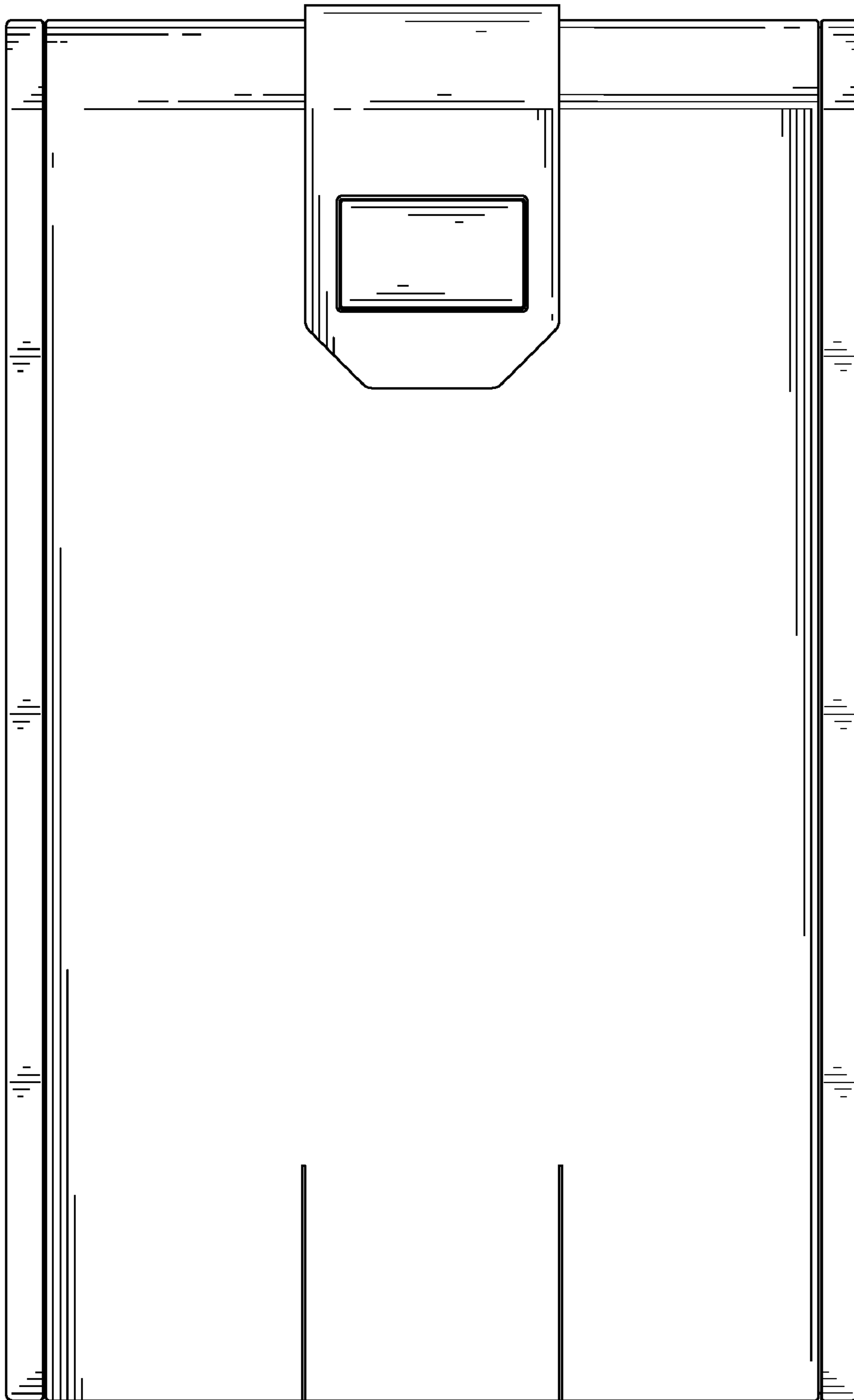


FIG. 3

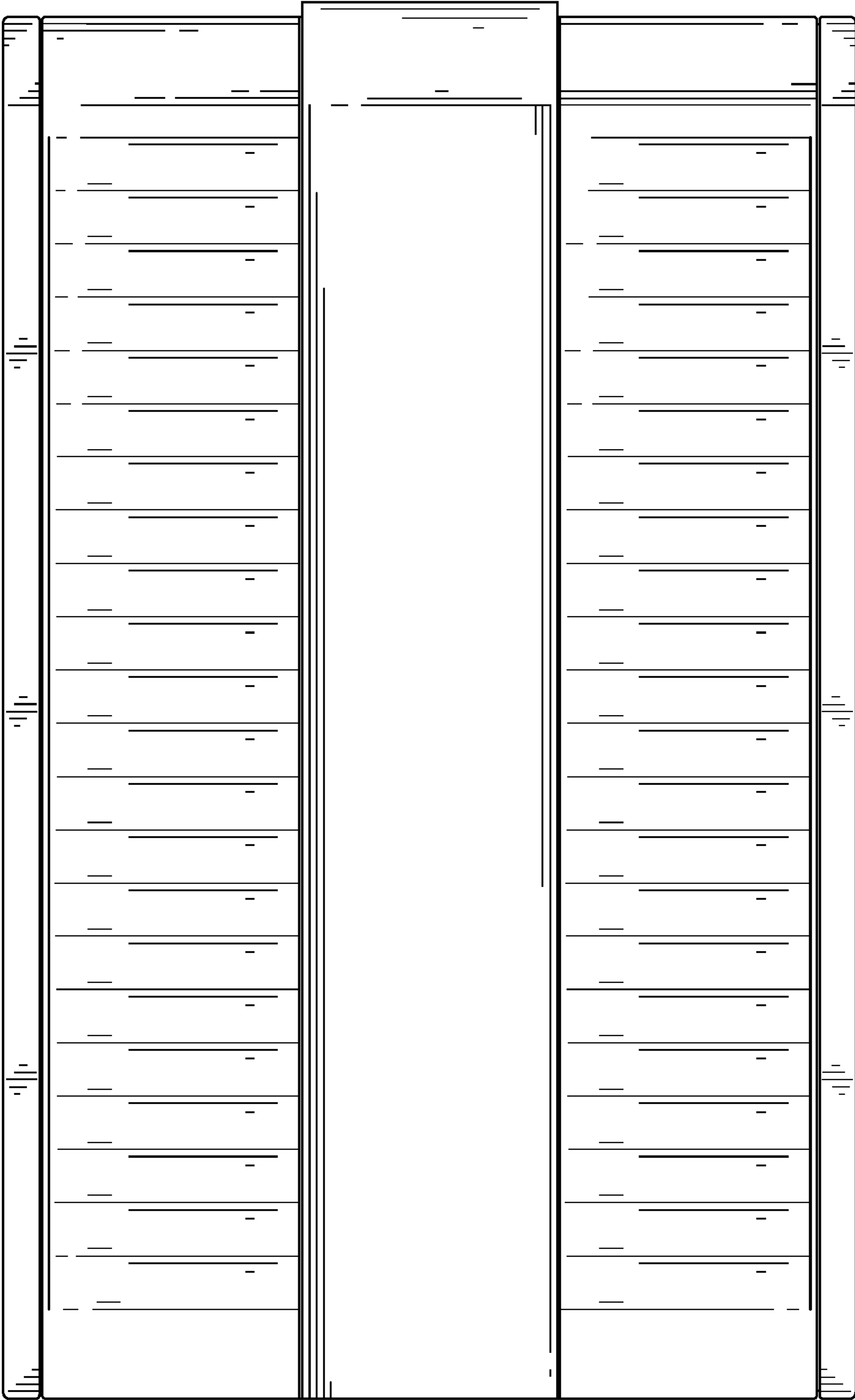


FIG. 4

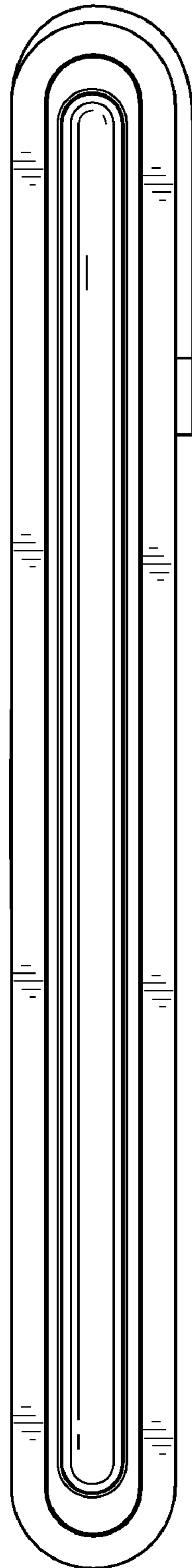


FIG. 5

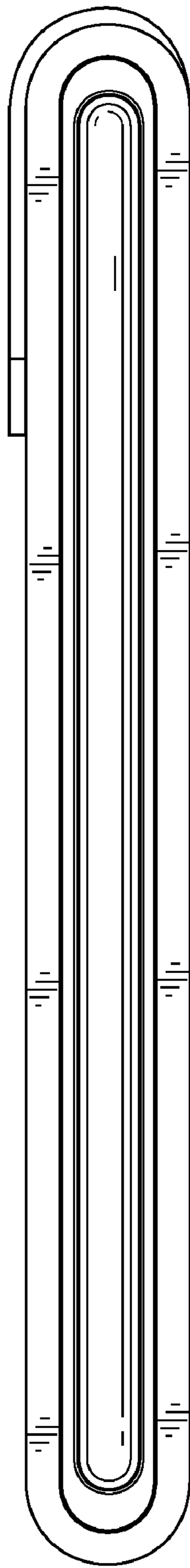


FIG. 6

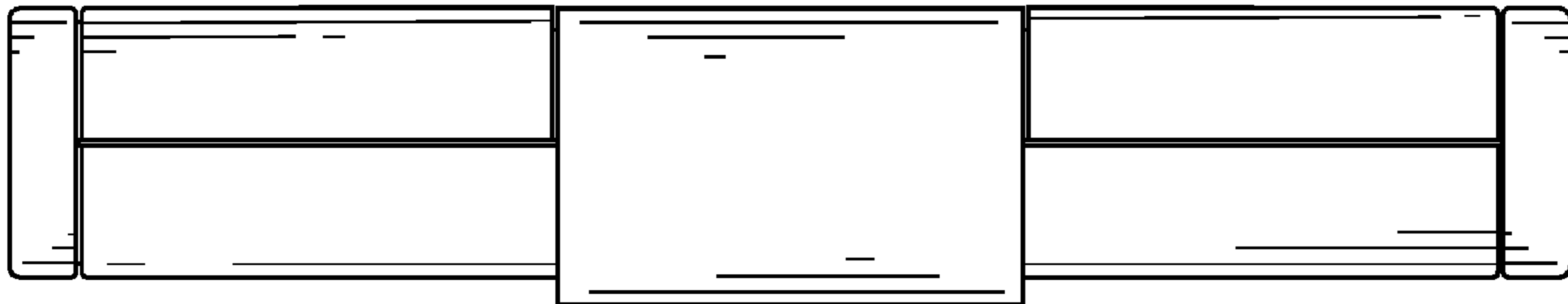


FIG. 7

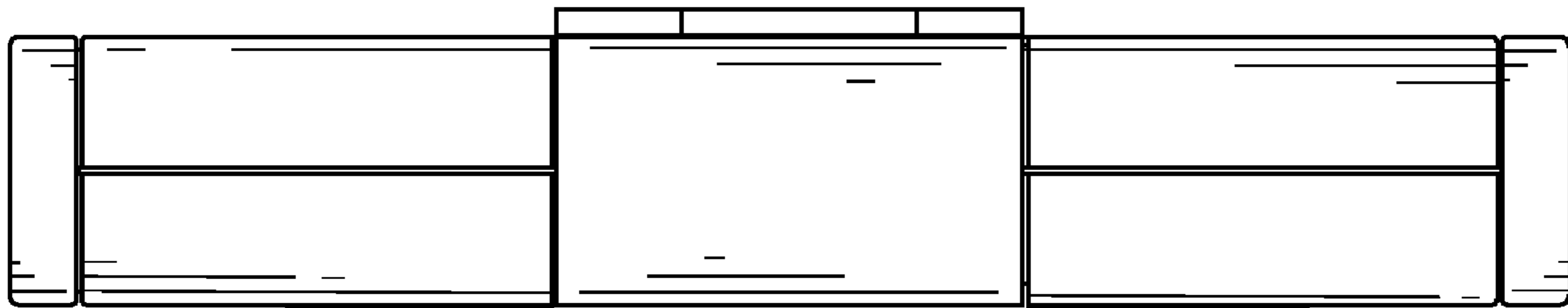


FIG. 8

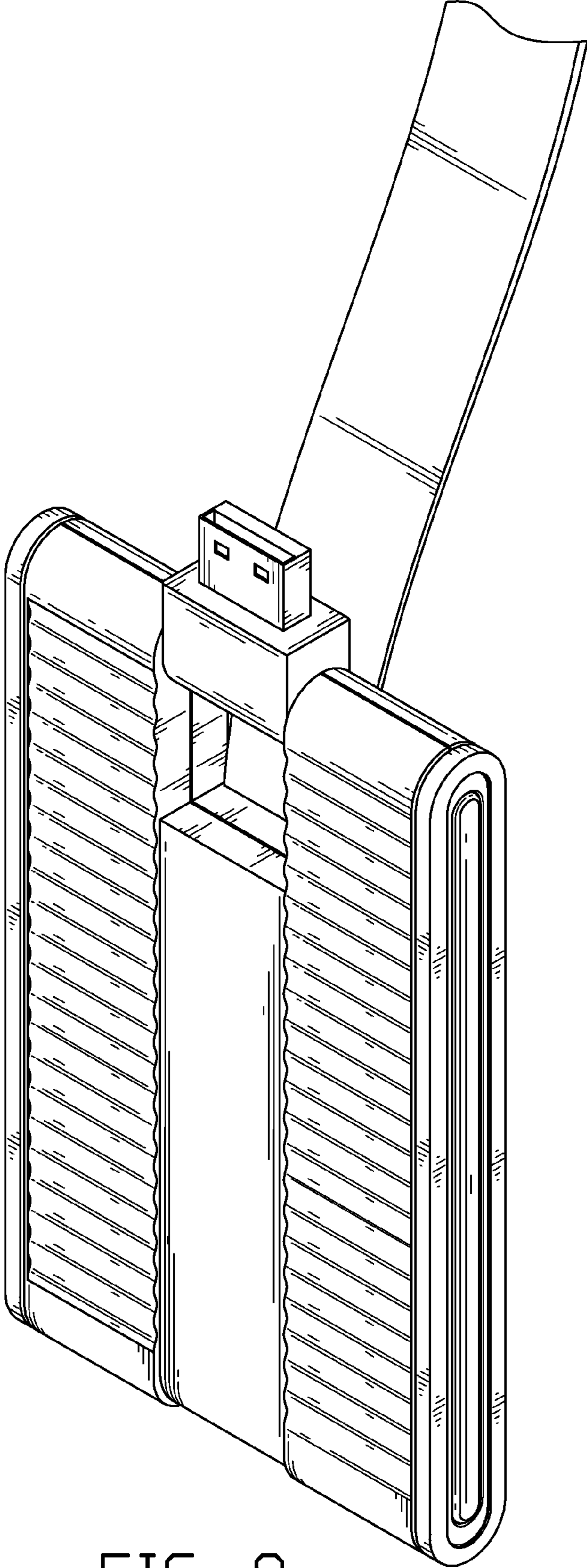


FIG. 9