



US00D609712S

(12) **United States Design Patent**
Bedol

(10) **Patent No.:** **US D609,712 S**

(45) **Date of Patent:** **** Feb. 9, 2010**

(54) **USB RAM MEMORY STICK**

(76) **Inventor:** **Mark A. Bedol**, P.O. Box 1268,
Claremont, CA (US) 91711

(**) **Term:** **14 Years**

(21) **Appl. No.:** **29/313,586**

(22) **Filed:** **Jan. 23, 2009**

(51) **LOC (9) Cl.** **14-99**

(52) **U.S. Cl.** **D14/480.5**

(58) **Field of Classification Search** D14/411,
D14/433, 435.1, 436, 137, 155, 167, 168,
D14/203.1-203.8, 240, 242, 299, 480.1-480.7,
D14/484.1; D3/203, 273; D13/107, 108,
D13/149, 184; 710/300, 301; 439/131, 135-147
See application file for complete search history.

(56) **References Cited**

U.S. PATENT DOCUMENTS

D104,711 S *	5/1937	Weston	D13/103
D238,578 S *	1/1976	Degaetano	D13/154
D304,310 S *	10/1989	Calis	D14/155
D492,307 S *	6/2004	Aqqad et al.	D14/480.5
D500,302 S *	12/2004	Deguchi	D14/480.1
D502,166 S *	2/2005	Nakamura	D14/480.5
D510,930 S *	10/2005	Deguchi	D14/433
D517,007 S *	3/2006	Yong-Jian et al.	D13/108
D530,340 S *	10/2006	Andre et al.	D14/203.3
7,214,075 B2 *	5/2007	He et al.	439/135
D555,158 S *	11/2007	Lo	D14/356
7,416,424 B1 *	8/2008	Deckman	439/135
D577,715 S *	9/2008	Lim et al.	D14/240
7,454,531 B2 *	11/2008	Shih	710/301
D585,367 S *	1/2009	Dunbar et al.	D13/108
7,503,780 B1 *	3/2009	Huang	439/135
2006/0234533 A1 *	10/2006	Lei et al.	439/135
2009/0170371 A1 *	7/2009	Bedol	439/607.01

2009/0258516 A1* 10/2009 Hiew et al. 439/136

OTHER PUBLICATIONS

Lego Flash Drive, Web Archive [online] Apr. 23, 2004 [retrieved on Dec. 13, 2006]. Retrieved from the Internet <URL: <http://web.archive.org/web/20060423172021/http://www.trevorshp.com/legodrive.htm>>.*

* cited by examiner

Primary Examiner—Cathron C Brooks

Assistant Examiner—Karen E Kearney

(57) **CLAIM**

I claim the ornamental design for a USB RAM memory stick, as shown and described.

DESCRIPTION

FIG. 1 is a Front Perspective view of a USB RAM memory stick, showing our new design;

FIG. 2 is a Rear Perspective view thereof,

FIG. 3 is a Front elevational view thereof,

FIG. 4 is a Left Side Elevational view thereof,

FIG. 5 is a Top Plan view thereof,

FIG. 6 is a Rear Elevational view thereof,

FIG. 7 is a Right Side Elevational view thereof,

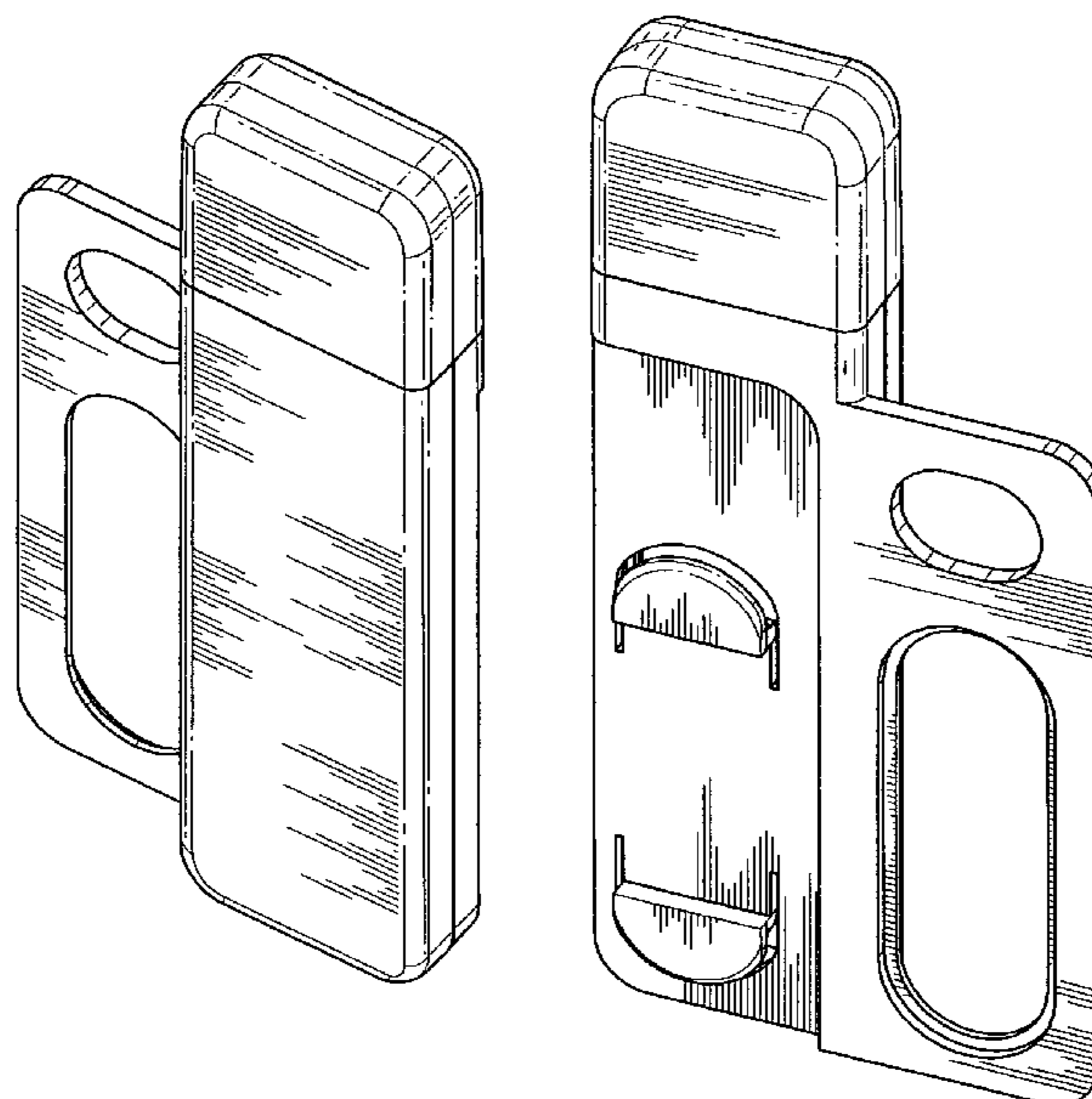
FIG. 8 is a Bottom Plan view thereof,

FIG. 9 is a Front Perspective View with the Cap Removed thereof; and,

FIG. 10 is a Perspective View with the design shown in it's Environment thereof.

The broken line showing of a second USB RAM memory stick is included for the purpose of illustrating environmental structure and forms no part of the claimed design.

1 Claim, 5 Drawing Sheets



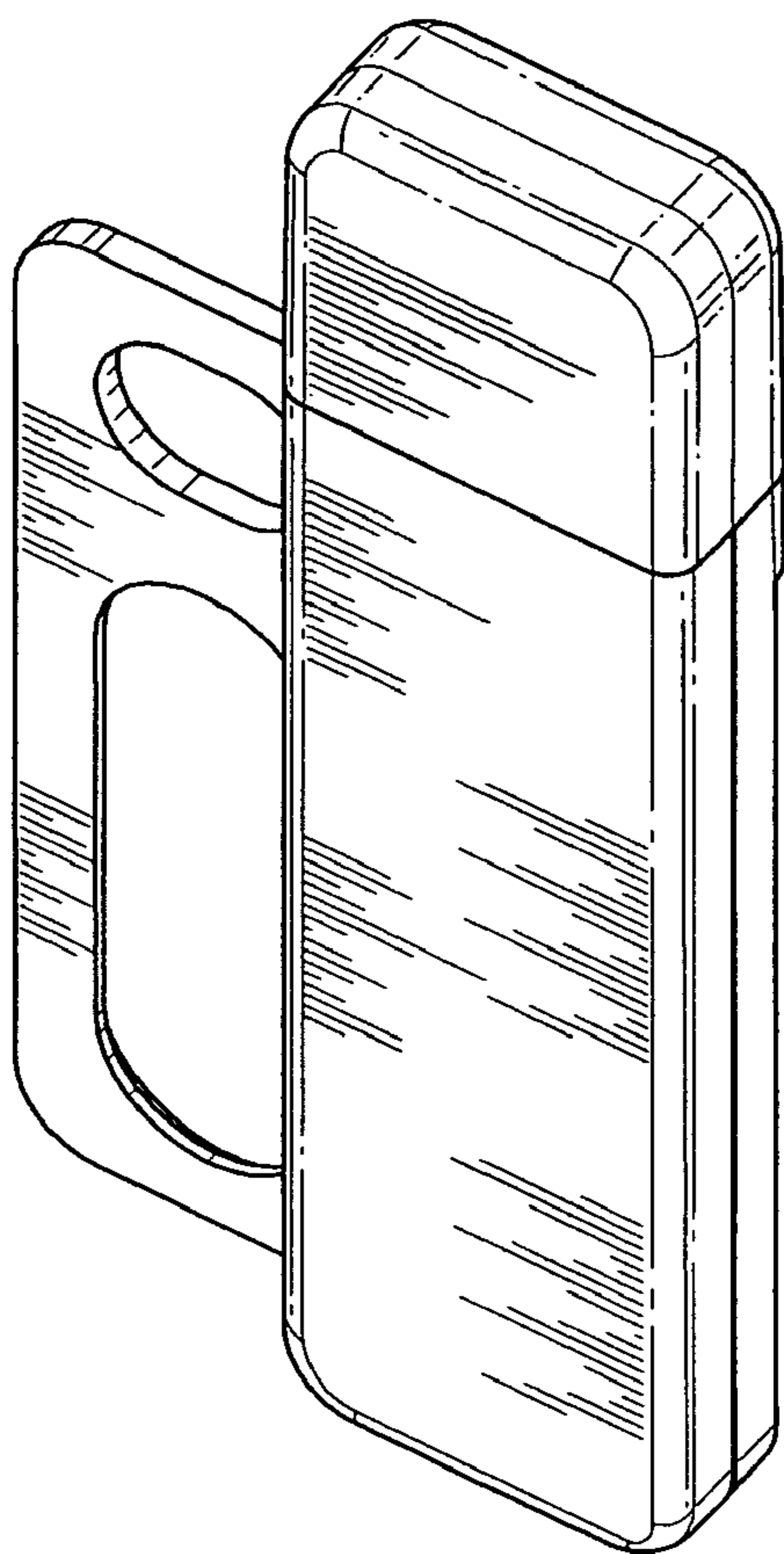


FIG. 1

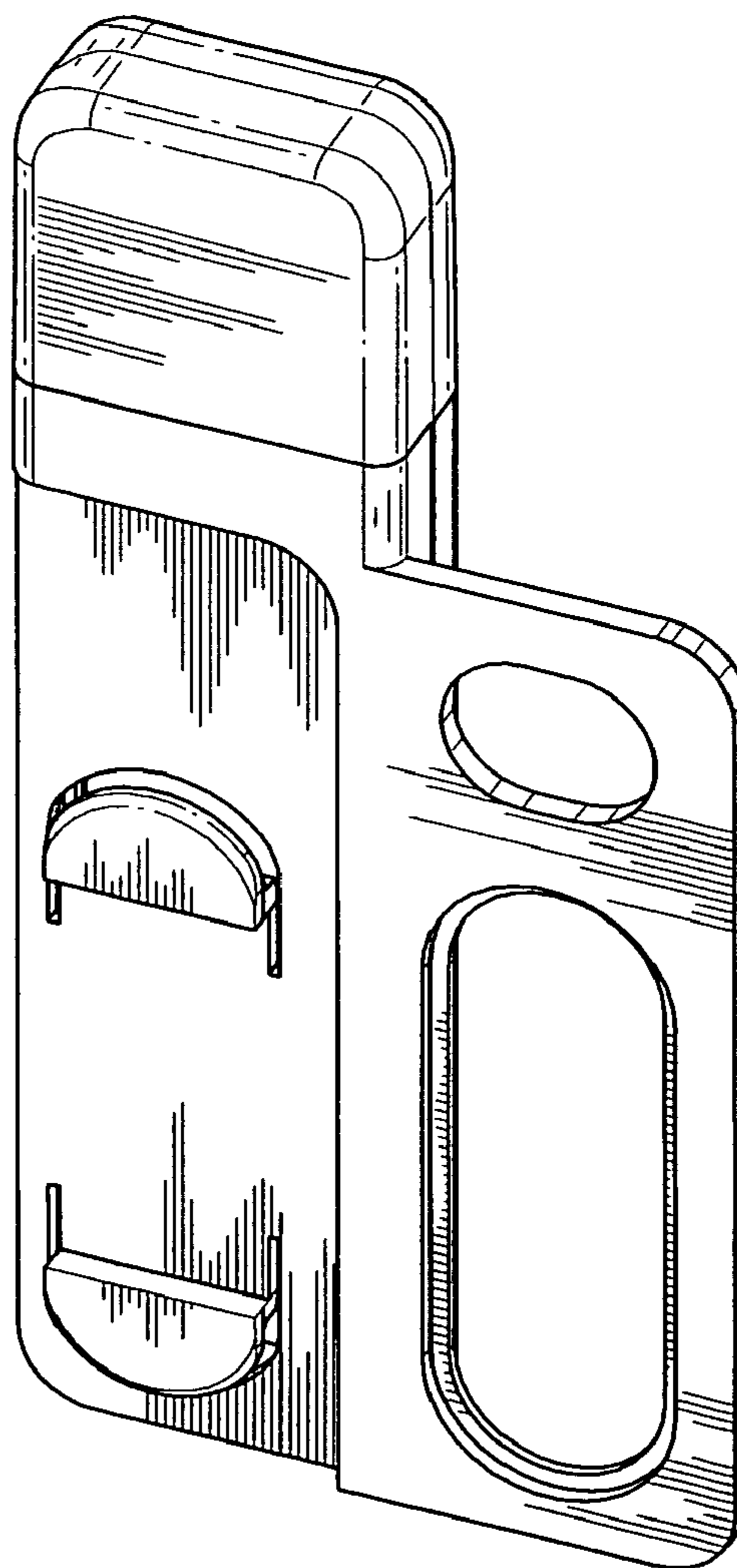


FIG. 2

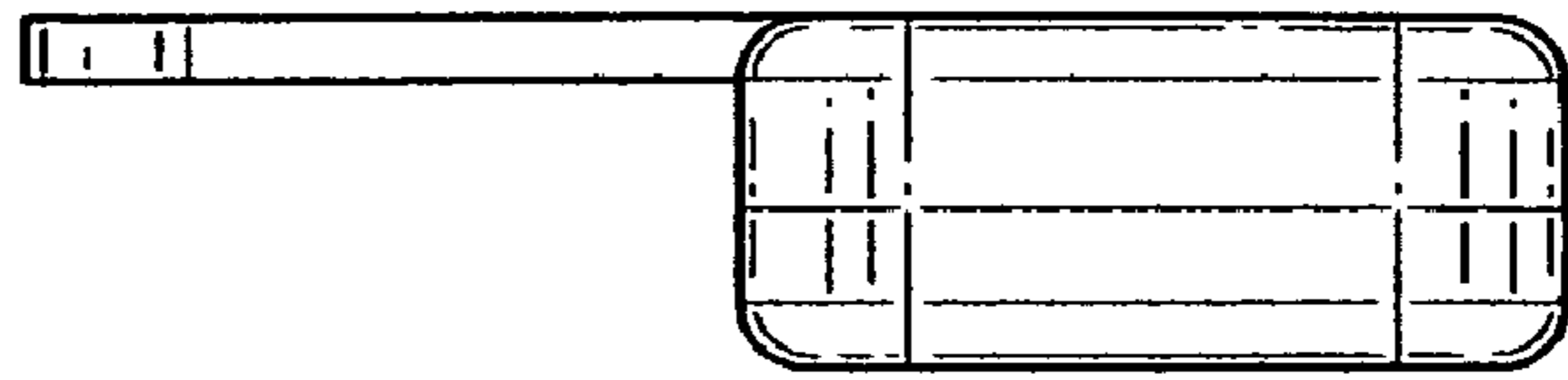


FIG. 5

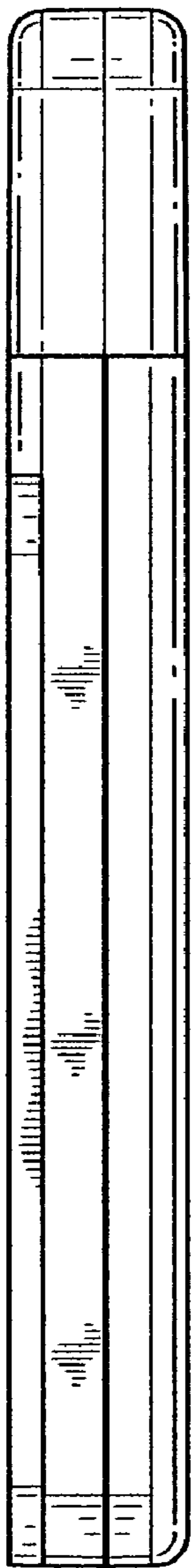


FIG. 4

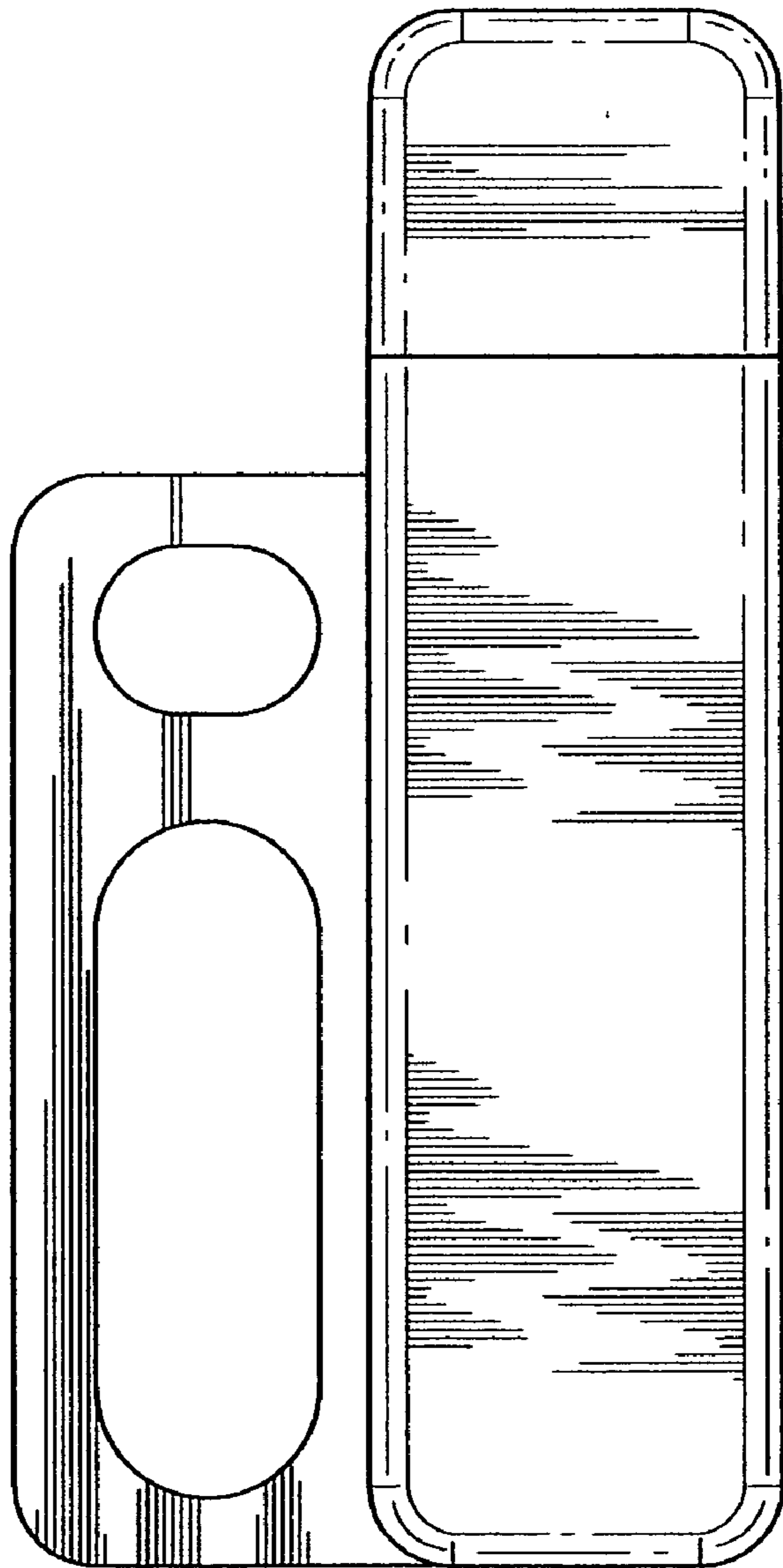


FIG. 3

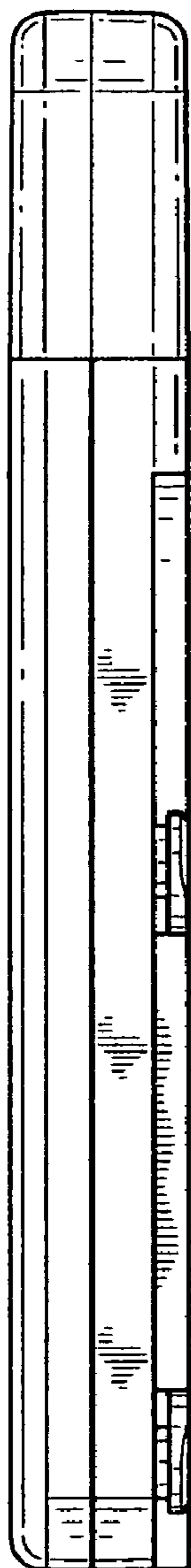


FIG. 7

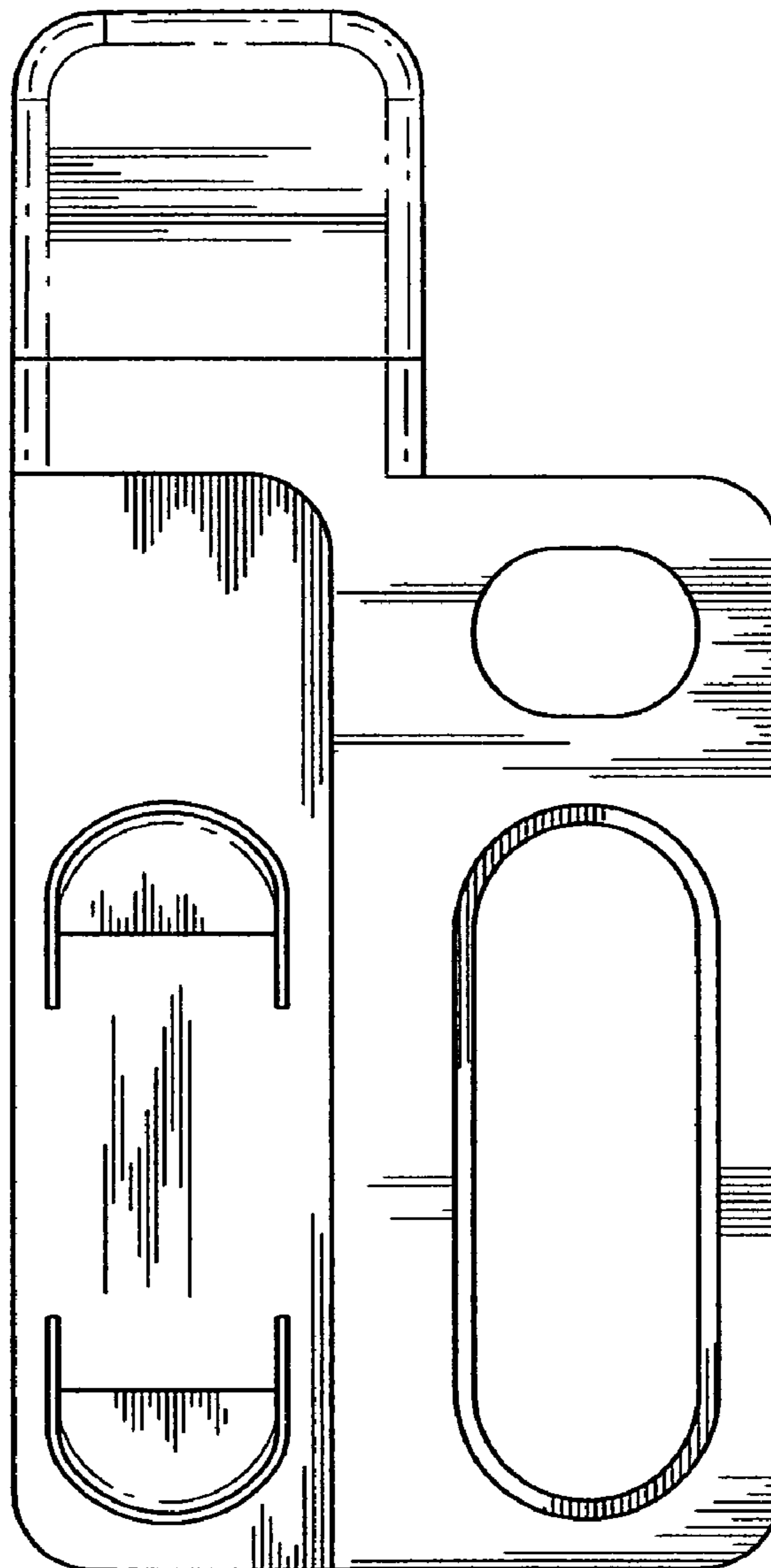


FIG. 6

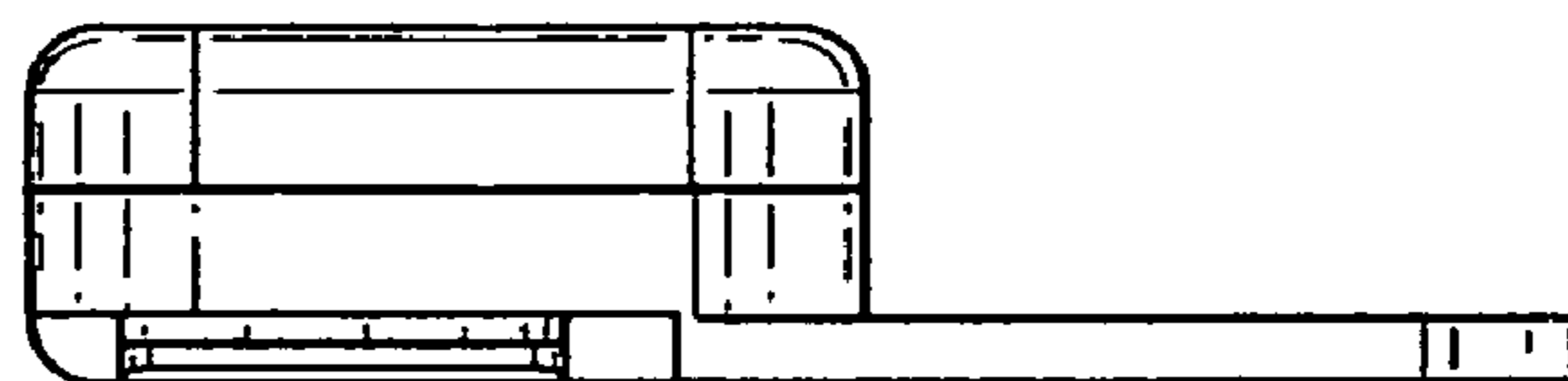


FIG. 8

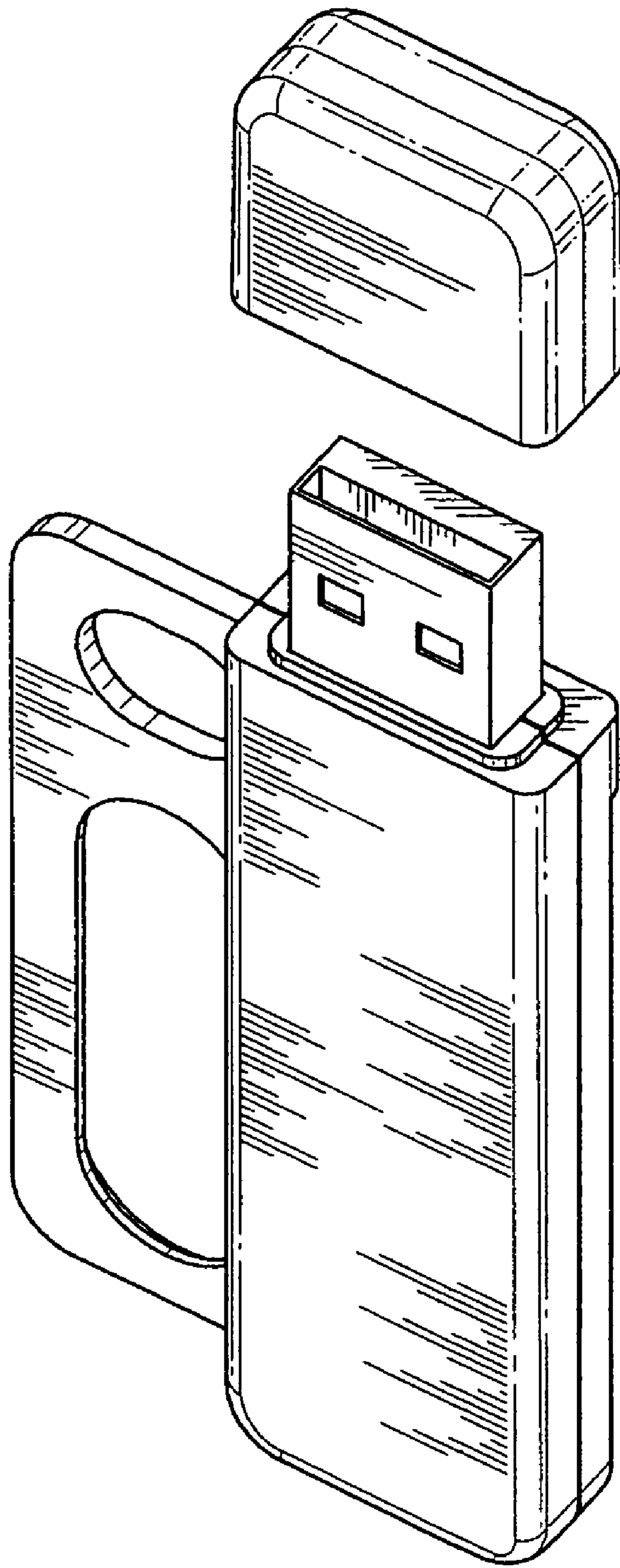


FIG. 9

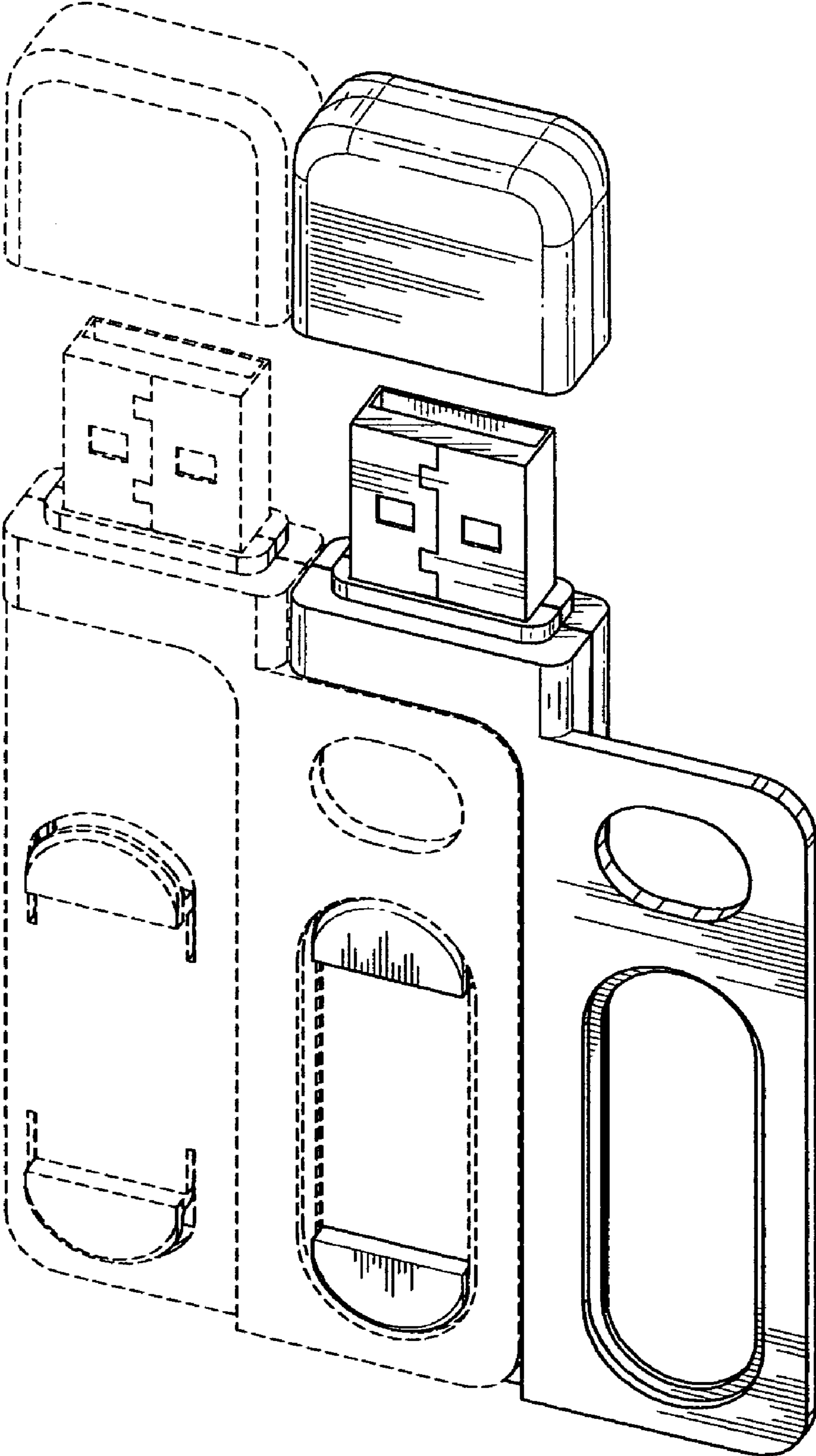


FIG. 10