



US00D609710S

(12) **United States Design Patent**  
**Zhang et al.**

(10) **Patent No.:** **US D609,710 S**  
(45) **Date of Patent:** **\*\* Feb. 9, 2010**

(54) **FRONT BEZEL FOR COMPUTER ENCLOSURE**  
(75) Inventors: **Jiao Zhang**, Shenzhen (CN); **Chun-Chi Liang**, Taipei Hsien (TW); **Jiing-Renn Yu**, Taipei Hsien (TW); **Yun-Dong Xu**, Shenzhen (CN); **Peng Zhou**, Shenzhen (CN)

(73) Assignee: **Hon Hai Precision Industry Co., Ltd.**, Tu-Cheng, Taipei Hsien (TW)

(\*\*) Term: **14 Years**

(21) Appl. No.: **29/296,005**

(22) Filed: **Oct. 12, 2007**

(30) **Foreign Application Priority Data**  
Apr. 20, 2007 (CN) ..... 2007 3 0200282

(51) **LOC (9) Cl.** ..... **14-02**

(52) **U.S. Cl.** ..... **D14/444**

(58) **Field of Classification Search** ..... D14/441-446,  
D14/308; D13/162, 184, 199; 312/223.2,  
312/326; 361/680-686, 690-696, 679.55;  
369/14, 34.01, 36.01

See application file for complete search history.

(56) **References Cited**

**U.S. PATENT DOCUMENTS**

D525,253 S \* 7/2006 Hu et al. .... D14/444  
7,131,711 B2 \* 11/2006 Chen ..... 312/223.2

7,265,971 B2 \* 9/2007 Chen et al. .... 361/679.55  
D552,109 S \* 10/2007 Zong et al. .... D14/444  
D554,133 S \* 10/2007 Zhou et al. .... D14/444  
D570,354 S \* 6/2008 Deng et al. .... D14/444  
D572,261 S \* 7/2008 Yang et al. .... D14/444  
D573,999 S \* 7/2008 Huang et al. .... D14/444

\* cited by examiner

*Primary Examiner*—Freda S Nunn

(74) *Attorney, Agent, or Firm*—Frank R. Niranjana

(57) **CLAIM**

The ornamental design for front bezel for computer enclosure, as shown and described.

**DESCRIPTION**

FIG. 1 is a perspective view of a front bezel for computer enclosure showing our new design;

FIG. 2 is a front elevational view thereof;

FIG. 3 is a left-side elevational view thereof;

FIG. 4 is a right-side elevational view thereof;

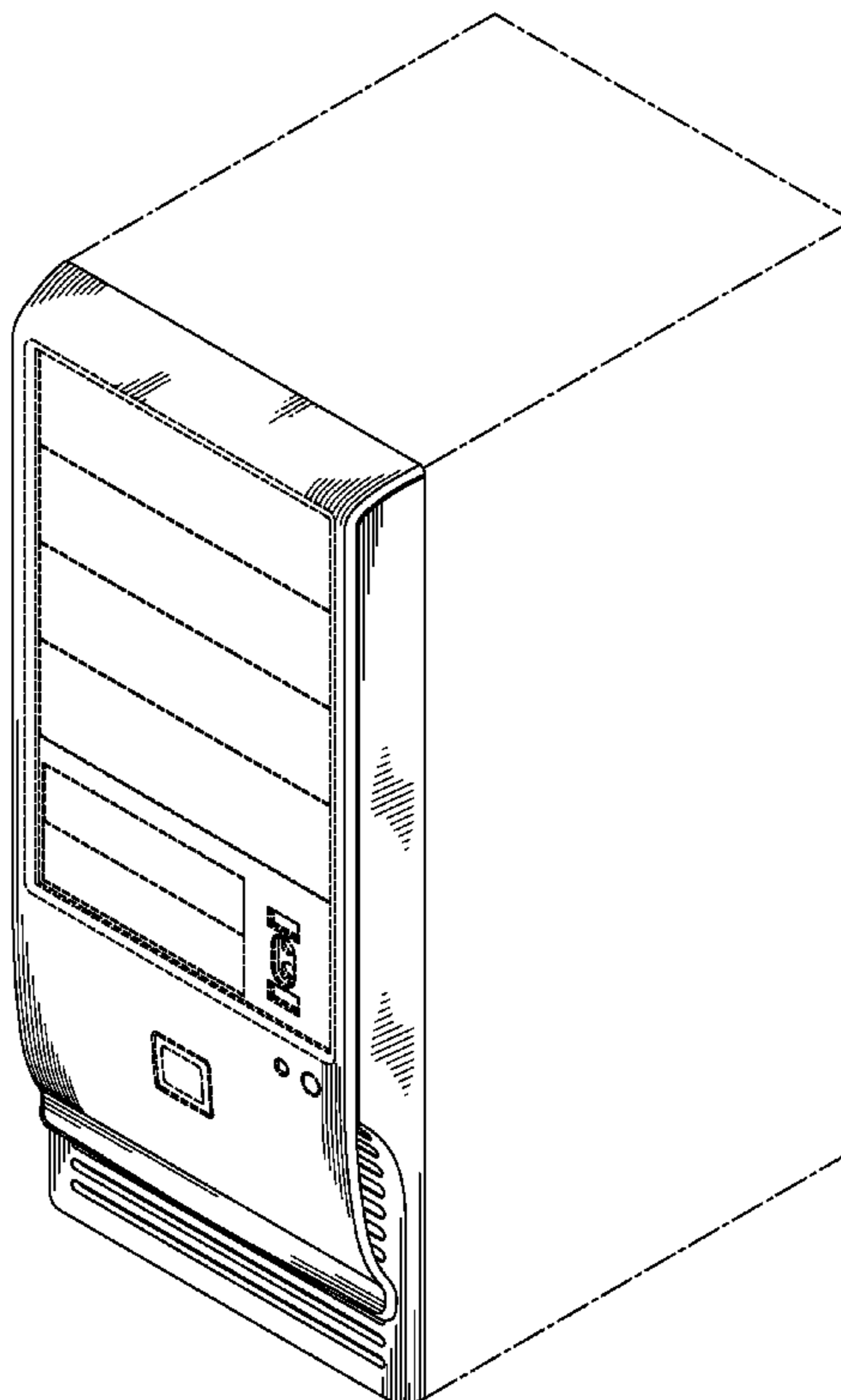
FIG. 5 is a top plan view thereof;

FIG. 6 is a bottom plan view thereof; and,

FIG. 7 is a perspective view of the front bezel being mounted to a computer enclosure.

Broken lines shown in the drawings illustrate portions of the front bezel and the computer enclosure and form no part of the claimed design.

**1 Claim, 7 Drawing Sheets**



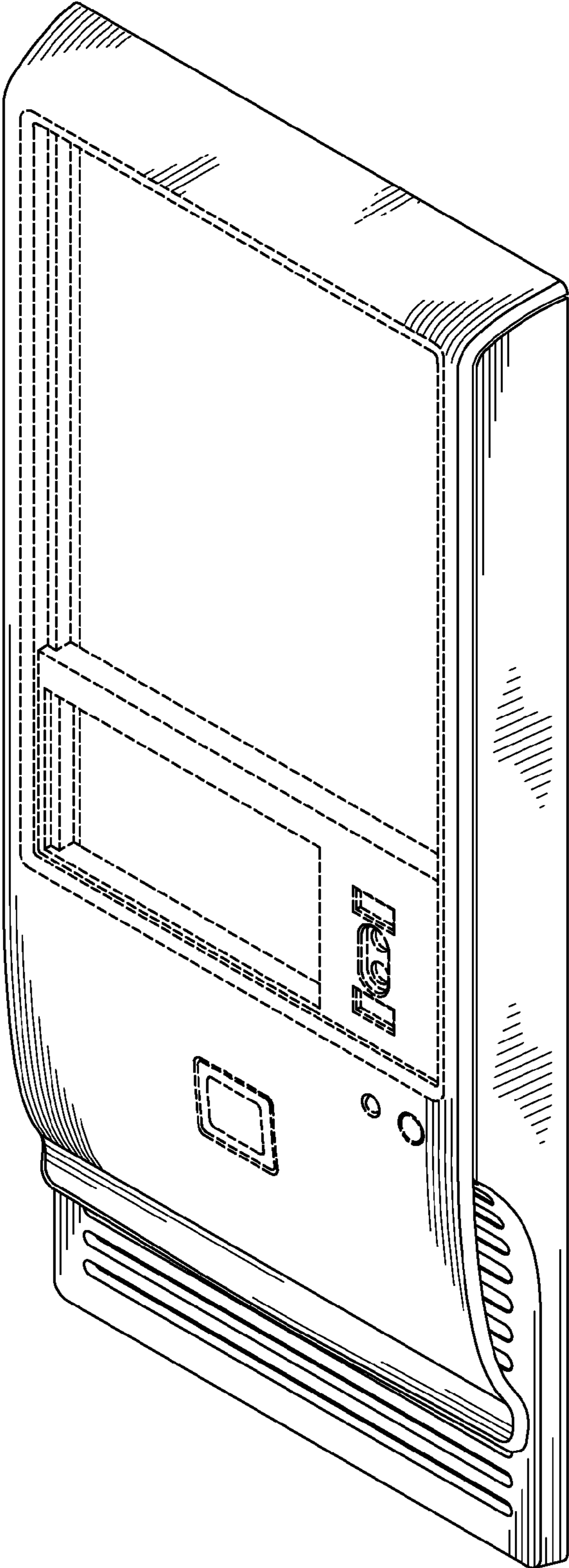


FIG. 1

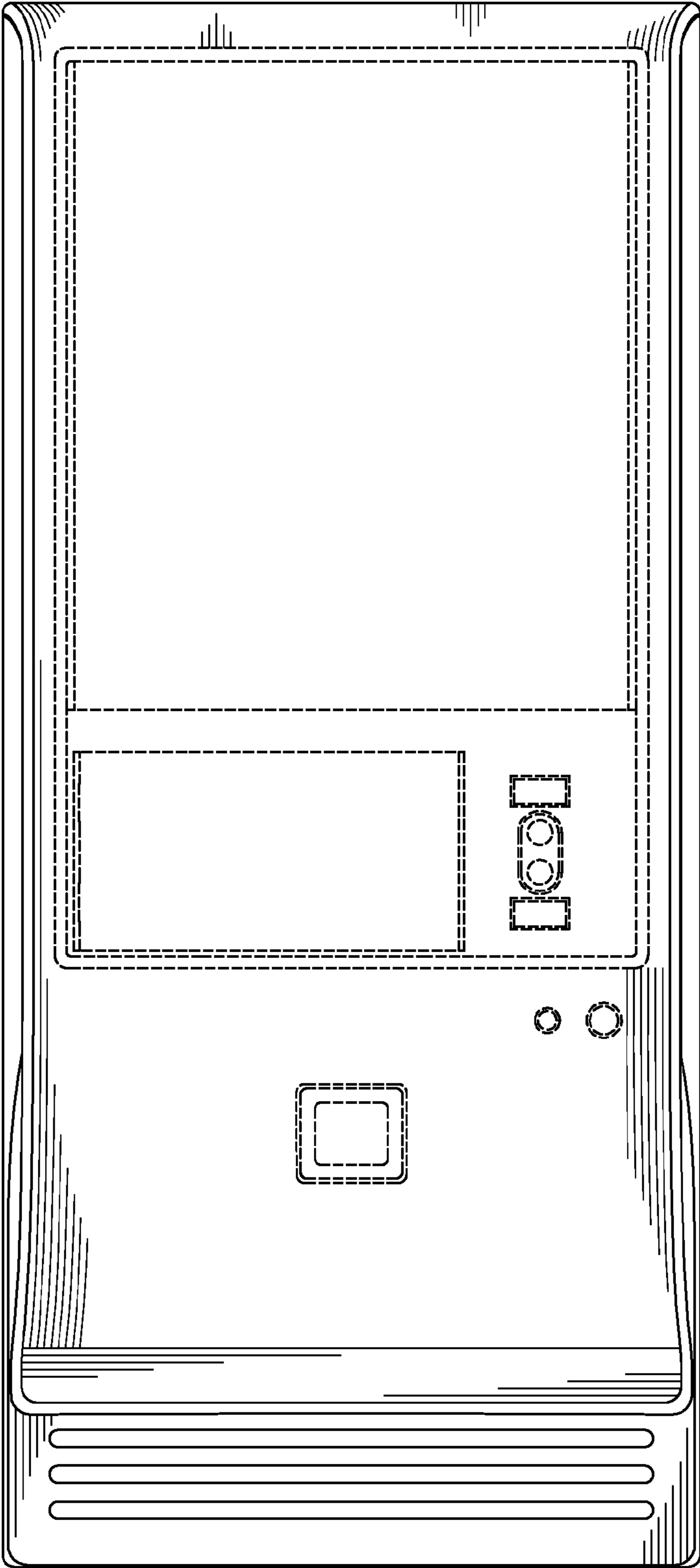


FIG. 2

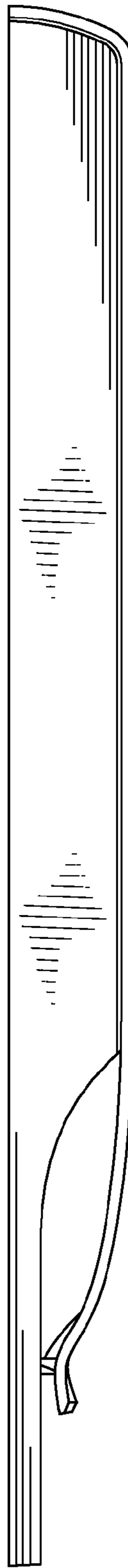


FIG. 3

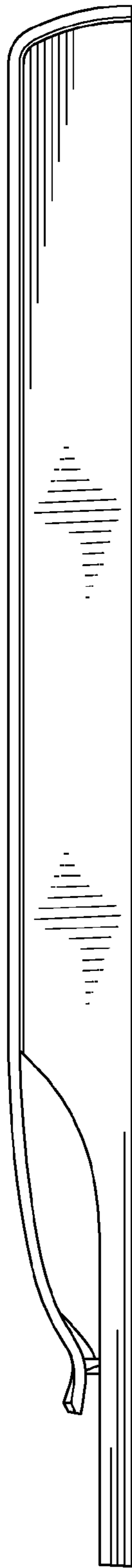


FIG. 4



FIG. 5

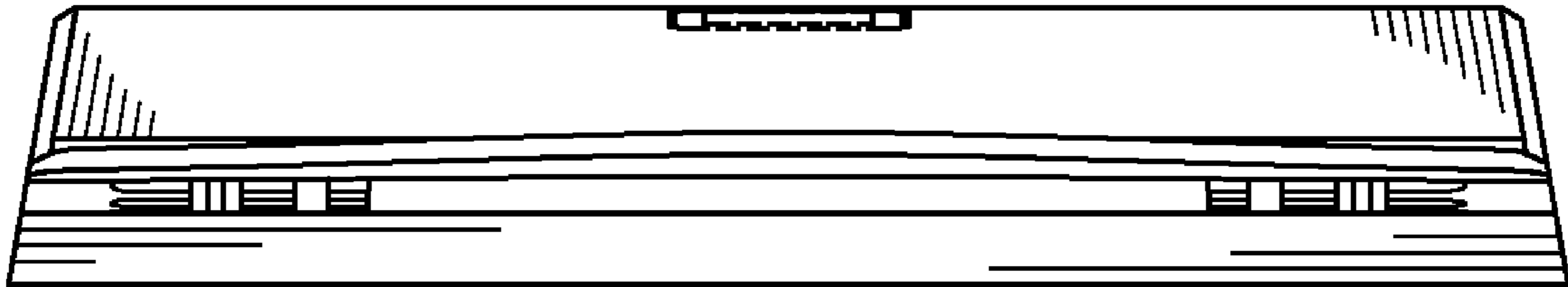


FIG. 6

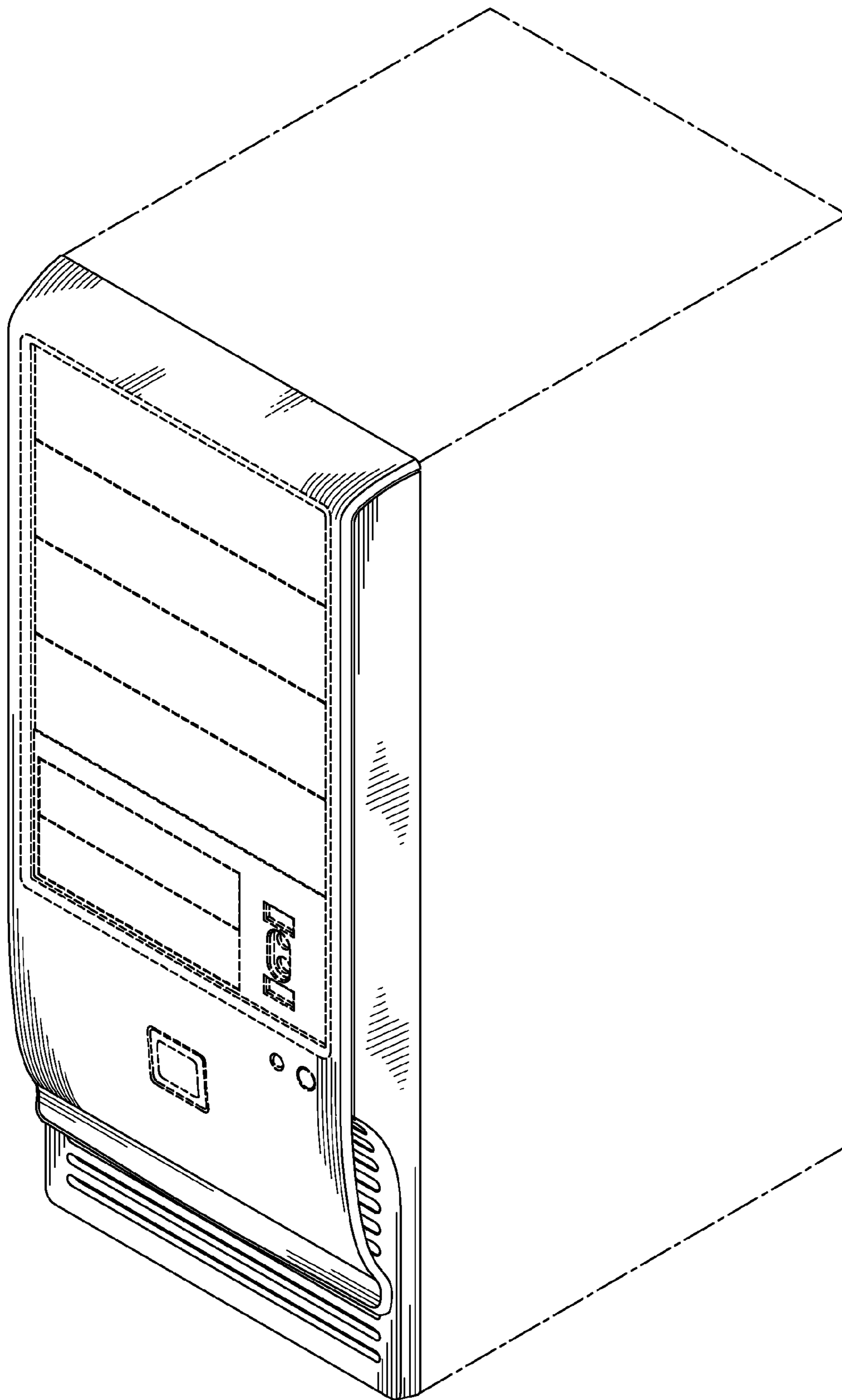


FIG. 7