



US00D609709S

(12) **United States Design Patent**
Allo Allo et al.

(10) **Patent No.:** **US D609,709 S**
(45) **Date of Patent:** **** Feb. 9, 2010**

(54) **COMPUTER CASE**

(75) Inventors: **Bryan N. Allo Allo**, North Highlands, CA (US); **Richard Garret Mauldin**, Erie, CO (US); **Pawel A. Woloszyn**, 212 Porter St., Woodland, CA (US) 95695

(73) Assignee: **Pawel A. Woloszyn**, Woodland, CA (US)

(**) Term: **14 Years**

(21) Appl. No.: **29/324,187**

(22) Filed: **Sep. 8, 2008**

(51) **LOC (9) Cl.** **14-02**

(52) **U.S. Cl.** **D14/440**

(58) **Field of Classification Search** D14/439, D14/440, 345, 341-344, 346, 371, 125-129, D14/327; 206/320, 576, 305, 215, 232, 524, 206/425, 472, 224, 312, 387.13, 307, 387.1, 206/756; D3/286, 283, 295, 273, 303, 247, D3/215, 245, 232, 900, 249, 201, 276, 294, D3/301; 224/929; 708/110; 190/109, 100, 190/119, 901; 361/683, 725, 681, 686, 679; 229/87.5, 67.1, 800; 220/522, 4.23; 345/169, 345/104, 156, 168, 173, 179, 672, 174; 150/147, 150/135; 402/2, 70-78, 500-502; 281/45, 281/38, 31, 29, 19.1, 34; D19/26, 27, 33, D19/75, 86, 22, 90, 59, 60, 78, 83; D18/7; 383/97, 4, 110; 178/18.03, 18.01; 349/12; 428/332; D6/632, 407; 248/458

See application file for complete search history.

(56) **References Cited**

U.S. PATENT DOCUMENTS

693,821 A * 2/1902 De Ford 273/144 B

(Continued)

Primary Examiner—Susan Moon Lee

(74) *Attorney, Agent, or Firm*—McAndrews, Held & Malloy, Ltd.

(57) **CLAIM**

The ornamental design for a computer case, as shown and described.

DESCRIPTION

FIG. 1 is a perspective view of a first embodiment of a computer case showing our new design, whereby the shaded areas indicate a color, without specifying any particular color;

FIG. 2 is a front elevation view thereof;

FIG. 3 is a back elevation view thereof;

FIG. 4 is left side elevation view thereof;

FIG. 5 is a right side elevation thereof;

FIG. 6 is a top plan view thereof;

FIG. 7 is a bottom plan view thereof;

FIG. 8 is a front top perspective thereof;

FIG. 9 is a back top perspective thereof;

FIG. 10 is a front elevation view thereof in exploded condition;

FIG. 11 is a back elevation view thereof in exploded condition;

FIG. 12 is a right side elevation view thereof in exploded condition;

FIG. 13 is a front top perspective thereof in exploded condition;

FIG. 14 is a back top perspective thereof in exploded condition;

FIG. 15 is a back bottom perspective thereof in exploded condition;

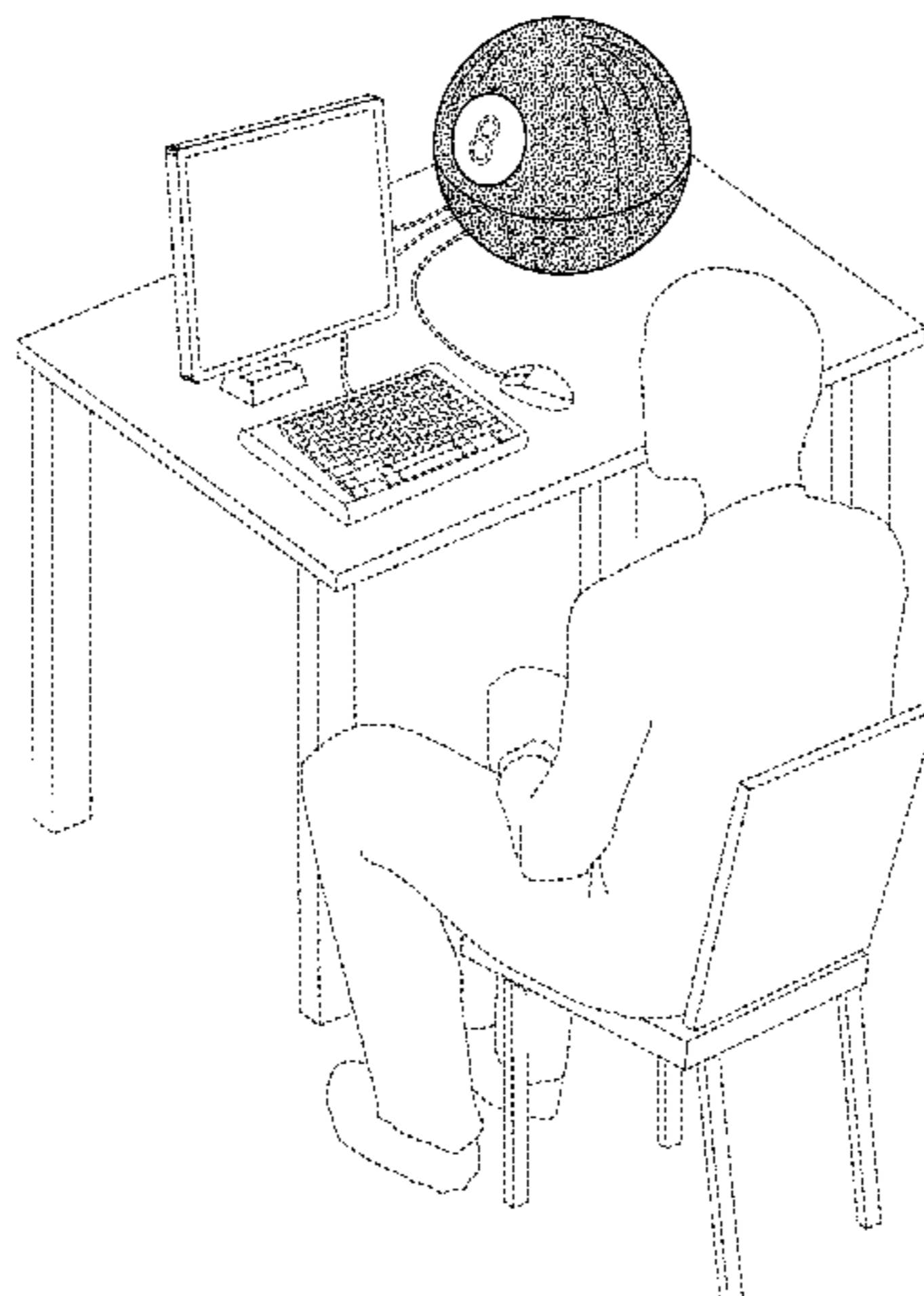
FIG. 16 is a front bottom perspective thereof in exploded condition;

FIG. 17 is a rear elevation view of a second embodiment of the computer case of FIG. 1, in which all sides of the case are identical to the first embodiment except for the variation of the rear side as shown in FIG. 17; and,

FIG. 18 is a rear elevation view of a third embodiment of the computer case of FIG. 1, in which all sides of the case are identical to the first embodiment except for the variation of the rear side as shown in FIG. 18.

The broken lines in the drawings represent environmental subject matter and form no part of the claimed design. The inside portion of the top half of the case is unornamented and does not form part of the claimed design.

1 Claim, 18 Drawing Sheets



US D609,709 S

Page 2

U.S. PATENT DOCUMENTS

979,397	A *	12/1910	Burt	473/52	D291,991	S *	9/1987	Lee	D14/147
1,601,258	A *	9/1926	Pajer	128/203.17	4,691,824	A *	9/1987	Schindler	206/315.9
1,861,948	A *	6/1932	Barkdoll	206/315.9	D293,690	S *	1/1988	Adler	D19/78
D90,935	S *	10/1933	Barrett	D10/15	4,737,134	A *	4/1988	Rumsey	446/409
2,014,022	A *	9/1935	Klein	601/6	4,760,774	A *	8/1988	Lin	99/299
D98,769	S *	3/1936	Horwitt	D10/15	D299,445	S *	1/1989	Lee	D11/153
2,092,728	A *	9/1937	Dearling	239/51.5	4,872,854	A *	10/1989	Hesu	439/577
D112,545	S *	12/1938	Younghusband	D9/504	4,890,838	A *	1/1990	Rudell et al.	273/138.1
D122,184	S *	8/1940	Martin, Jr.	D9/680	D315,624	S *	3/1991	Kimura et al.	D32/23
D125,988	S *	3/1941	Anderson	D3/258	5,049,107	A *	9/1991	De Nittis	446/397
D133,539	S *	8/1942	Dow	D14/189	D324,106	S *	2/1992	Greenblatt	D24/200
D136,524	S *	10/1943	Swainson	D9/418	D326,455	S *	5/1992	Kanellos	D14/189
2,452,174	A *	10/1948	Arnold	426/106	5,116,255	A *	5/1992	Keeling et al.	119/475
D162,986	S *	4/1951	Punzak	D7/703	D330,284	S *	10/1992	Klien et al.	D3/202
D173,847	S *	1/1955	Matsumoto	D7/539	D330,710	S *	11/1992	Lee	D14/126
2,708,138	A *	5/1955	Gooken	239/59	D333,784	S *	3/1993	Goodman	D9/424
D175,210	S *	7/1955	Dreyfuss	D32/23	D339,240	S *	9/1993	Perkins	D6/303
2,780,029	A *	2/1957	Anthony	446/409	D345,788	S *	4/1994	Green	D23/366
2,784,512	A *	3/1957	Goodwin	428/8	D349,902	S *	8/1994	Hanig	D14/176
2,796,697	A *	6/1957	Beyrodt	446/51	5,351,650	A *	10/1994	Graves	119/707
D186,872	S *	12/1959	Swann	D32/23	5,445,375	A *	8/1995	Sweeny	473/570
D186,892	S *	12/1959	Wilbur	D14/211	5,476,408	A *	12/1995	Hoeting et al.	446/419
2,975,823	A *	3/1961	Ponnock	156/245	D370,145	S *	5/1996	Benjelloun	D6/513
3,000,022	A *	9/1961	Cathey et al.	441/65	5,533,920	A *	7/1996	Arad et al.	446/409
D193,899	S *	10/1962	Harrison	D8/40	D373,310	S *	9/1996	Trautmann	D9/441
D196,375	S *	9/1963	Fradette	D7/511	D375,626	S *	11/1996	Eaton et al.	D3/257
3,292,840	A *	12/1966	Schmidt	220/4.25	D392,467	S *	3/1998	Oldham	D6/303
D207,843	S *	6/1967	Scott, Jr. et al.	D24/232	D394,884	S *	6/1998	Paolucci	D21/372
D209,710	S *	12/1967	Bruce	D14/133	5,775,997	A *	7/1998	Veatch	463/46
3,494,515	A *	2/1970	Fattori	222/548	5,792,496	A *	8/1998	Fekete et al.	426/104
3,514,839	A *	6/1970	Rodrigues	29/463	5,825,537	A *	10/1998	Ushiyama	359/408
D219,496	S *	12/1970	Lebedeff	D28/85	D401,605	S *	11/1998	Shirley	D16/227
3,624,939	A *	12/1971	Gossard	40/721	5,839,577	A *	11/1998	Friedler	206/315.1
D223,692	S *	5/1972	Jaffe et al.	D3/294	D409,050	S *	5/1999	Anderson et al.	D7/606
D224,159	S *	7/1972	Griffin	D14/133	D409,443	S *	5/1999	Clark et al.	D7/515
D224,233	S *	7/1972	Fujita	D14/371	D413,598	S *	9/1999	Cheung	D14/501
D224,792	S *	9/1972	Knox, Jr.	D30/118	D415,929	S *	11/1999	D'Arrigo	D7/515
D226,921	S *	5/1973	Cone et al.	D18/7	D417,955	S *	12/1999	Sletten	D3/257
D227,701	S *	7/1973	Fujita et al.	D14/126	D419,961	S *	2/2000	Weatherill	D13/154
D229,871	S *	1/1974	Tibbs	D3/238	D420,003	S *	2/2000	Dervish	D14/189
D231,401	S *	4/1974	Fujita	D14/198	D420,861	S *	2/2000	Hansen	D7/606
3,836,308	A *	9/1974	Upright	425/318	D421,033	S *	2/2000	Shirley et al.	D16/227
3,841,039	A *	10/1974	Farnsworth	52/81.1	D421,035	S *	2/2000	Shirley et al.	D16/227
D238,098	S *	12/1975	Fink	D14/192	D421,989	S *	3/2000	Cheung	D14/502
D240,270	S *	6/1976	Kawano	D14/171	D422,692	S *	4/2000	Quinones	D23/367
D240,778	S *	8/1976	Mason	D6/467	D425,706	S *	5/2000	Calderone	D4/116
D240,883	S *	8/1976	Press	D7/540	D426,858	S *	6/2000	Straus et al.	D21/329
D243,648	S *	3/1977	Conroy	D7/703	6,073,581	A *	6/2000	Wang	119/51.01
D245,866	S *	9/1977	Schuldenfrei et al.	D25/10	6,098,571	A *	8/2000	Axelrod et al.	119/707
D247,898	S *	5/1978	Plomp et al.	D14/245	D435,602	S *	12/2000	Podd et al.	D21/329
D249,089	S *	8/1978	Studley	D18/14	D437,681	S *	2/2001	Weinstock	D3/215
4,133,138	A *	1/1979	Coons	446/16	D439,621	S *	3/2001	Podd et al.	D21/329
D253,551	S *	11/1979	Roberts, Jr.	D25/7	6,237,538	B1 *	5/2001	Tsengas	119/707
D254,716	S *	4/1980	Mascia et al.	D9/776	D446,823	S *	8/2001	Podd et al.	D21/329
D259,084	S *	5/1981	Stahel, II	D6/309	D447,471	S *	9/2001	Andre et al.	D14/216
D260,023	S *	7/1981	Pagani et al.	D21/324	6,346,664	B1 *	2/2002	Shuen	84/402
D261,463	S *	10/1981	Martin	D6/303	D454,993	S *	3/2002	Herrenbruck	D30/160
D264,364	S *	5/1982	Pazurek	D21/713	D460,693	S *	7/2002	Flowers	D9/519
4,331,251	A *	5/1982	Berman et al.	220/4.21	6,418,673	B1 *	7/2002	Flowerday	52/81.1
D265,454	S *	7/1982	Martin	D6/303	D465,733	S *	11/2002	Hill	D9/519
4,359,631	A *	11/1982	Lockwood et al.	235/381	D466,360	S *	12/2002	Favela	D7/334
D268,444	S *	3/1983	Young	D30/117	D469,744	S *	2/2003	Lam	D14/126
D268,558	S *	4/1983	Young	D7/703	D473,160	S *	4/2003	Weissman	D11/220
D273,652	S *	5/1984	Lederman et al.	D7/540	D474,372	S *	5/2003	Leon	D7/515
D274,986	S *	8/1984	Mermelstein	D10/6	D474,464	S *	5/2003	Chiu	D14/371
D275,282	S *	8/1984	Adams, Jr.	D14/143	D475,288	S *	6/2003	Hoffmann et al.	D9/426
D276,626	S *	12/1984	Lockwood	D20/2	D476,095	S *	6/2003	Baarman et al.	D26/2
D276,703	S *	12/1984	Au	D10/15	D478,813	S *	8/2003	Beene	D9/519
D279,145	S *	6/1985	Lippe	D3/294	D485,251	S *	1/2004	Lee	D14/509
4,592,936	A *	6/1986	Ferguson	428/11	D492,455	S *	6/2004	Herrenbruck	D30/160
D287,988	S *	1/1987	Billinghurst	D21/713	D497,078	S *	10/2004	Ethridge	D7/402
					D500,998	S *	1/2005	Inoue	D14/171
					D504,979	S *	5/2005	Lai	D28/76

US D609,709 S

Page 3

D505,050 S *	5/2005	Johnson et al.	D7/606	D545,296 S *	6/2007	Yang	D14/500
D505,688 S *	5/2005	Allen	D16/227	D547,430 S *	7/2007	Low	D23/364
D507,305 S *	7/2005	Dill	D19/90	D552,054 S *	10/2007	Pena Angarita	D14/498
D512,048 S *	11/2005	Borsboom	D14/216	D561,242 S *	2/2008	Dahl	D18/4.6
D514,093 S *	1/2006	Borsboom	D14/216	D563,412 S *	3/2008	Faurous	D14/408
D515,561 S *	2/2006	Sung	D14/300	D567,636 S *	4/2008	Morris et al.	D8/358
D516,105 S *	2/2006	Bradley et al.	D16/202	7,367,283 B2 *	5/2008	Aboujaoude et al.	119/707
D517,856 S *	3/2006	Krasne	D7/354	D573,026 S *	7/2008	Tsai	D9/519
D521,005 S *	5/2006	Lin	D14/408	D577,390 S *	9/2008	Collier	D21/405
D524,268 S *	7/2006	Reza	D14/126	D578,002 S *	10/2008	Canamasas Puigbo	D9/519
D529,680 S *	10/2006	Broikos	D99/30	D586,255 S *	2/2009	Rashid et al.	D11/152
D533,152 S *	12/2006	Nakata	D14/126	2006/0201941 A1 *	9/2006	Lee	220/4.21
7,166,047 B2 *	1/2007	May et al.	473/569					
D543,244 S *	5/2007	Tsuruha	D19/73					

* cited by examiner

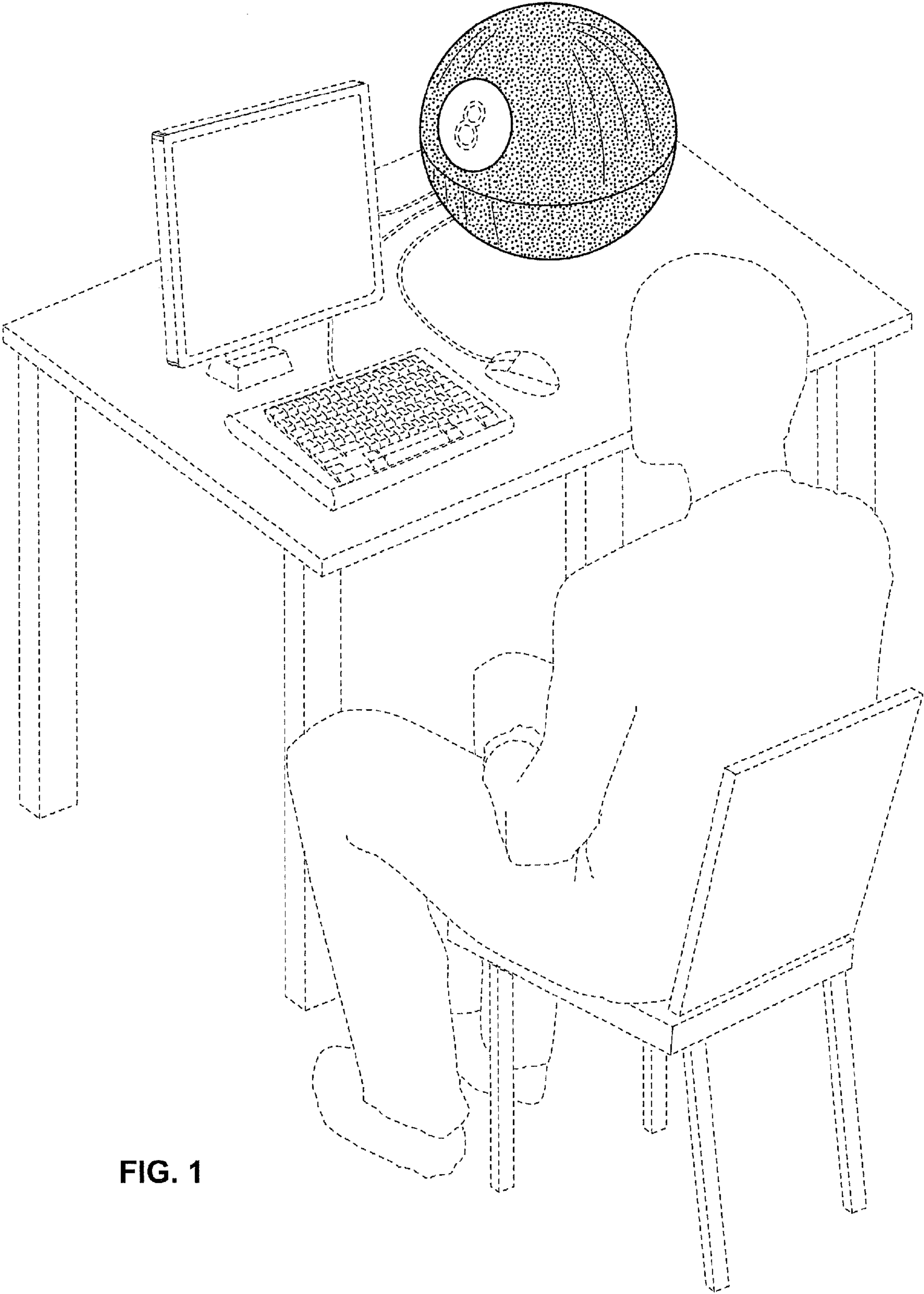


FIG. 1

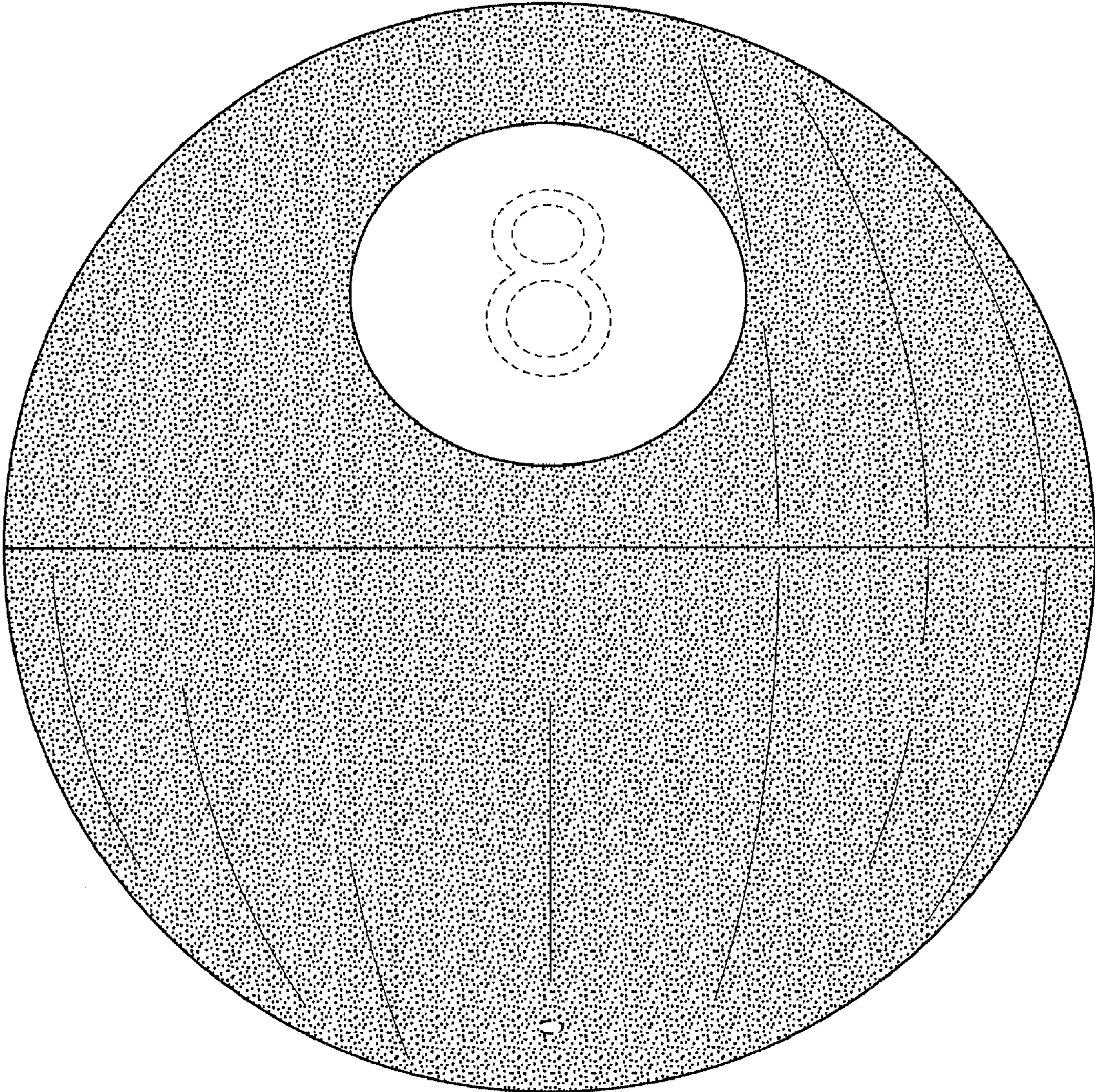


FIG. 2

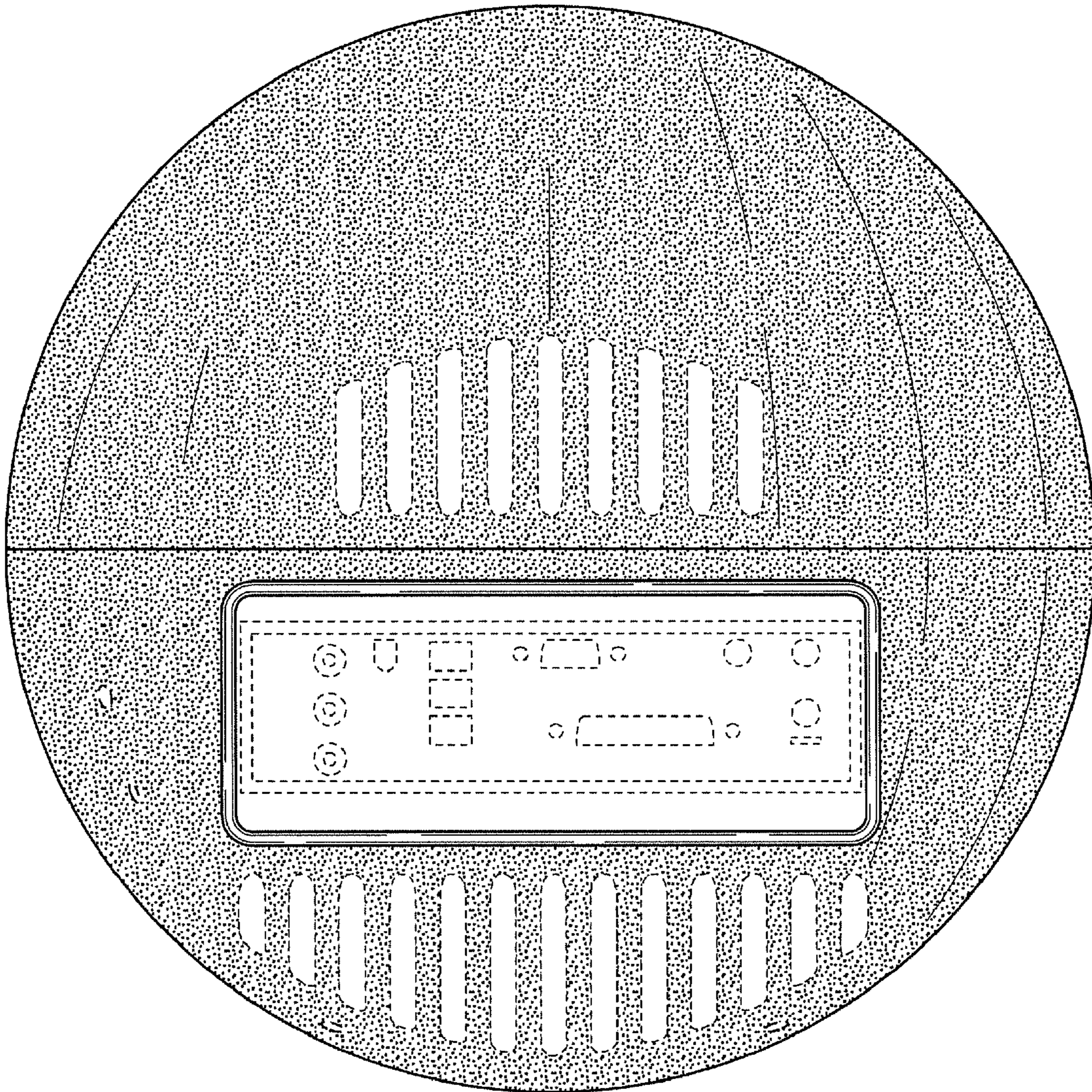


FIG. 3

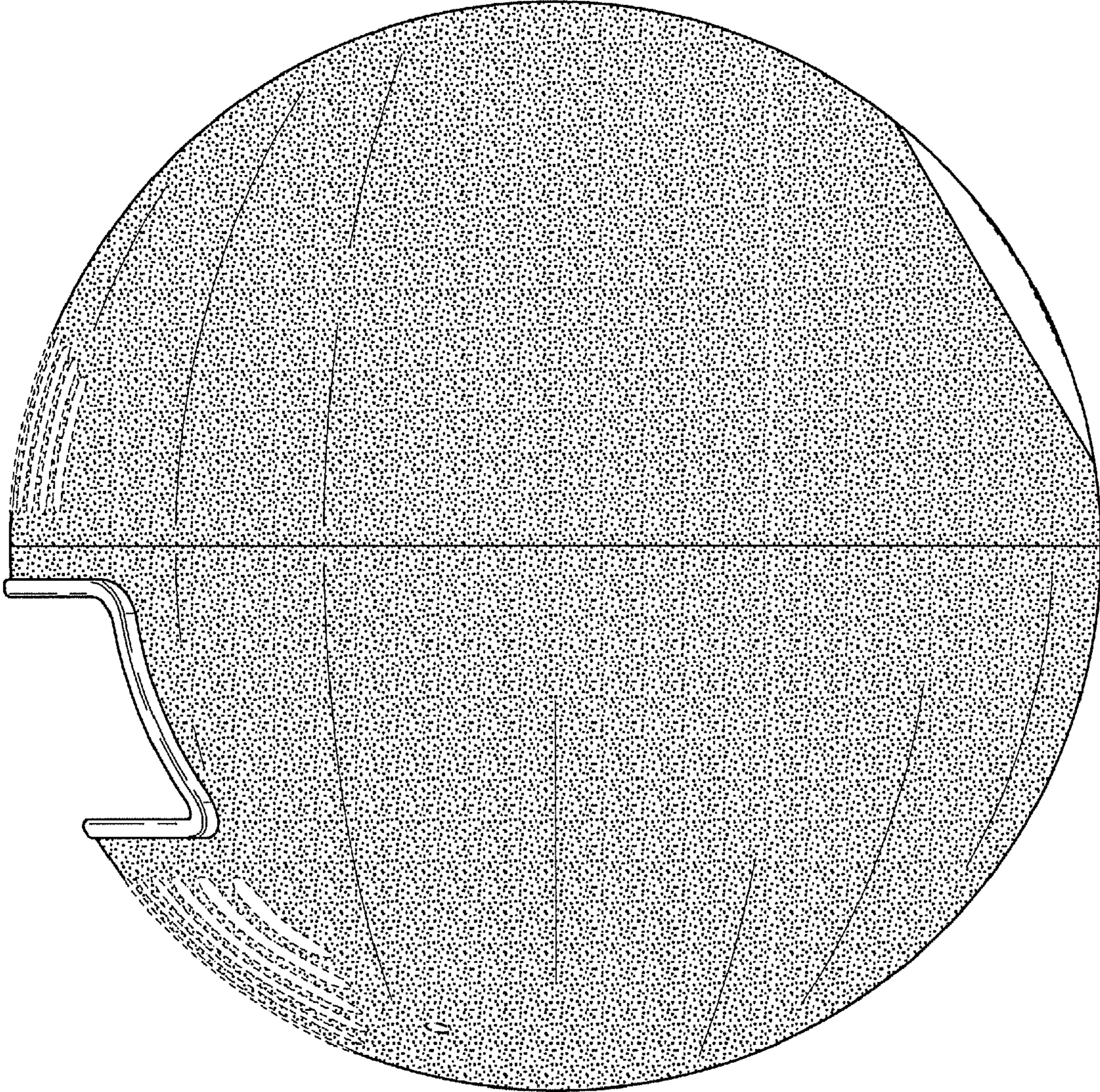


FIG. 4

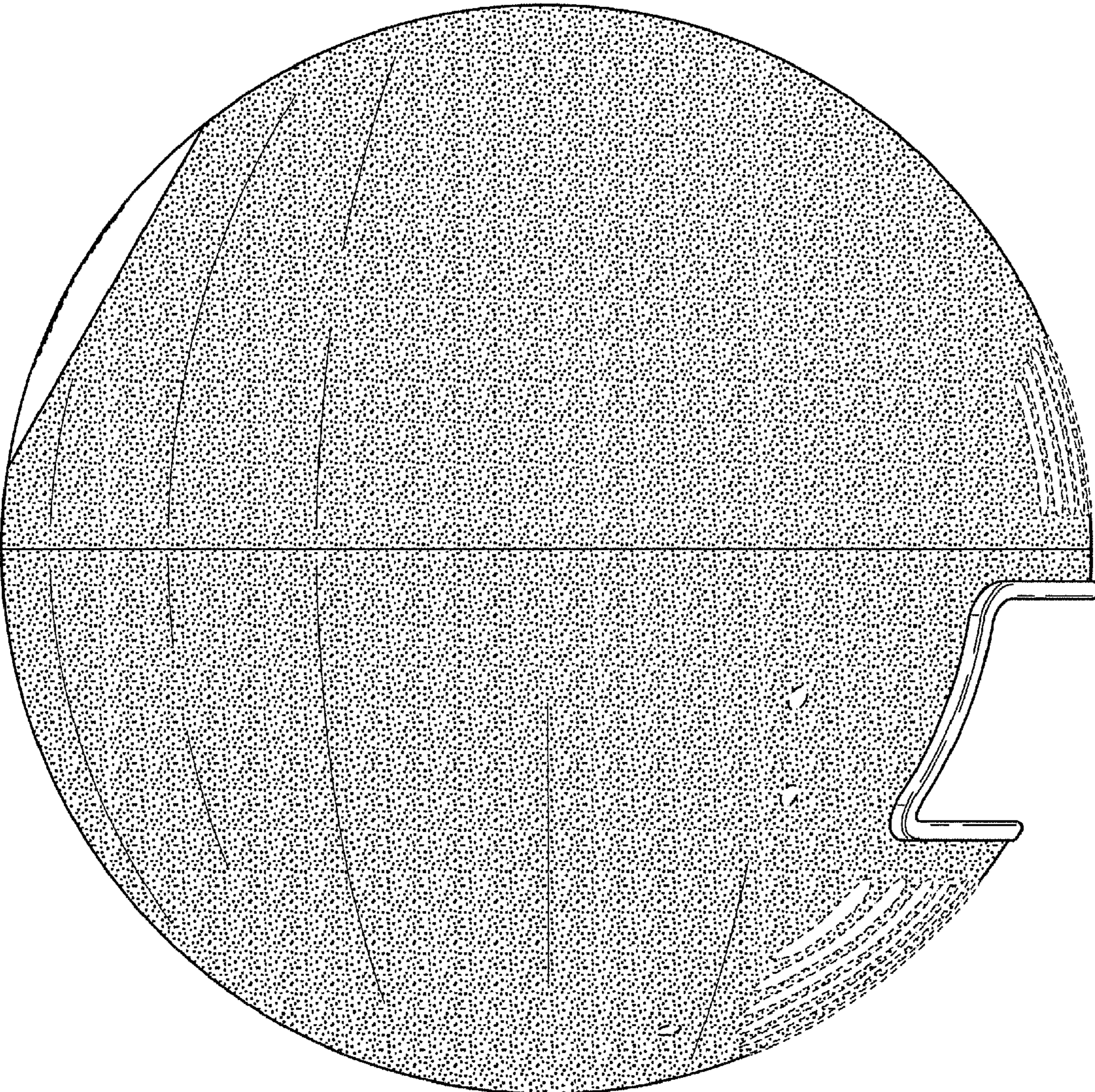


FIG. 5

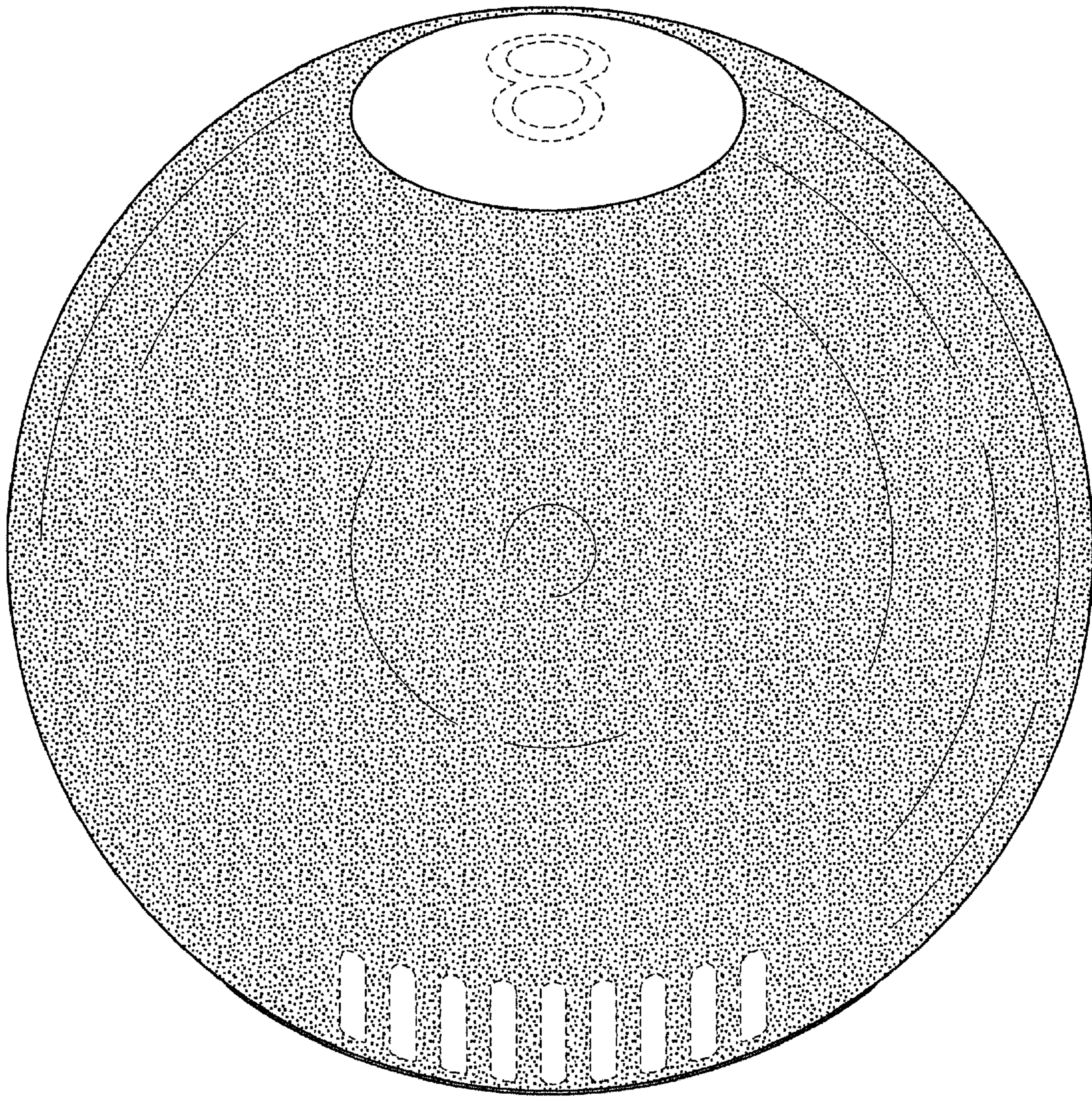


FIG. 6

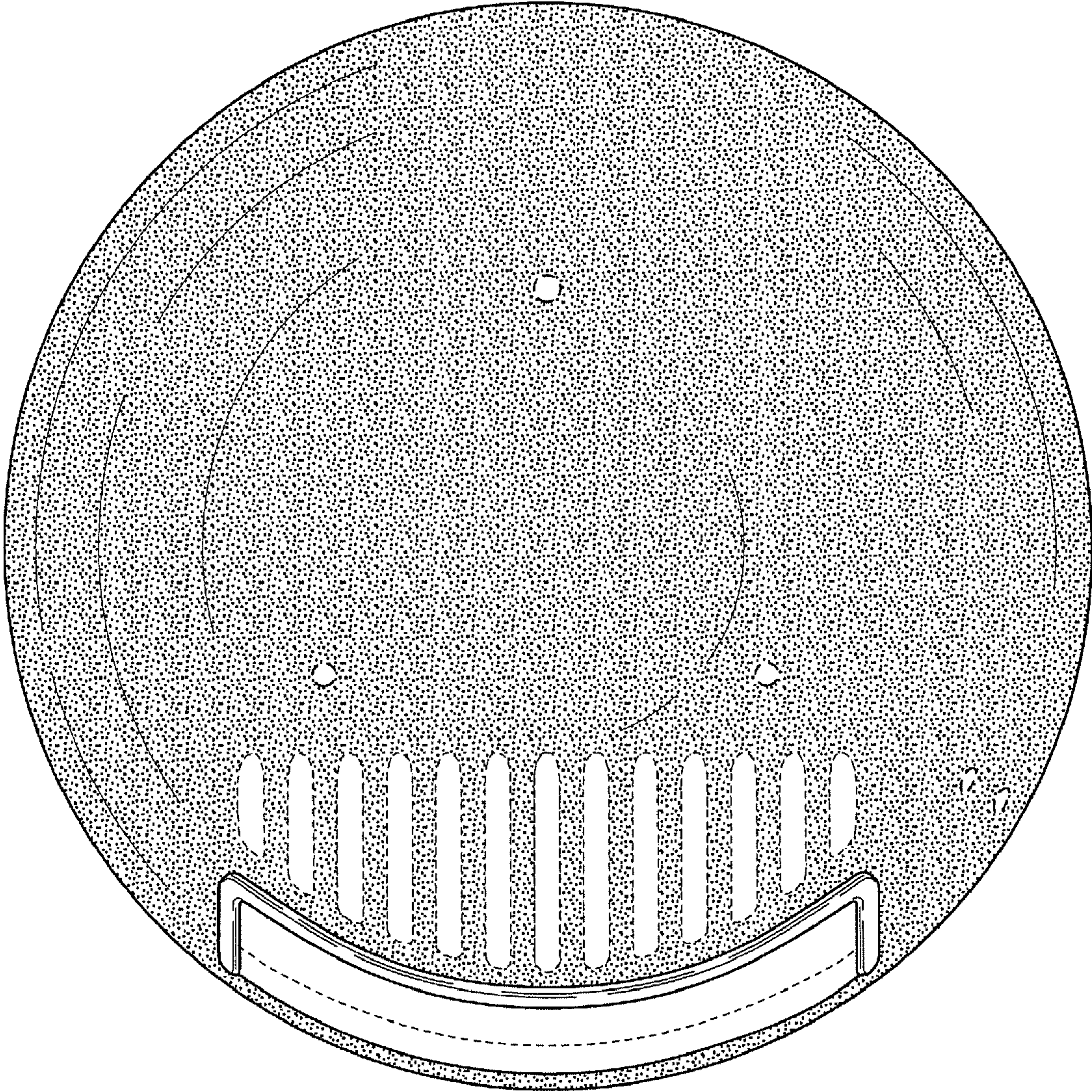


FIG. 7

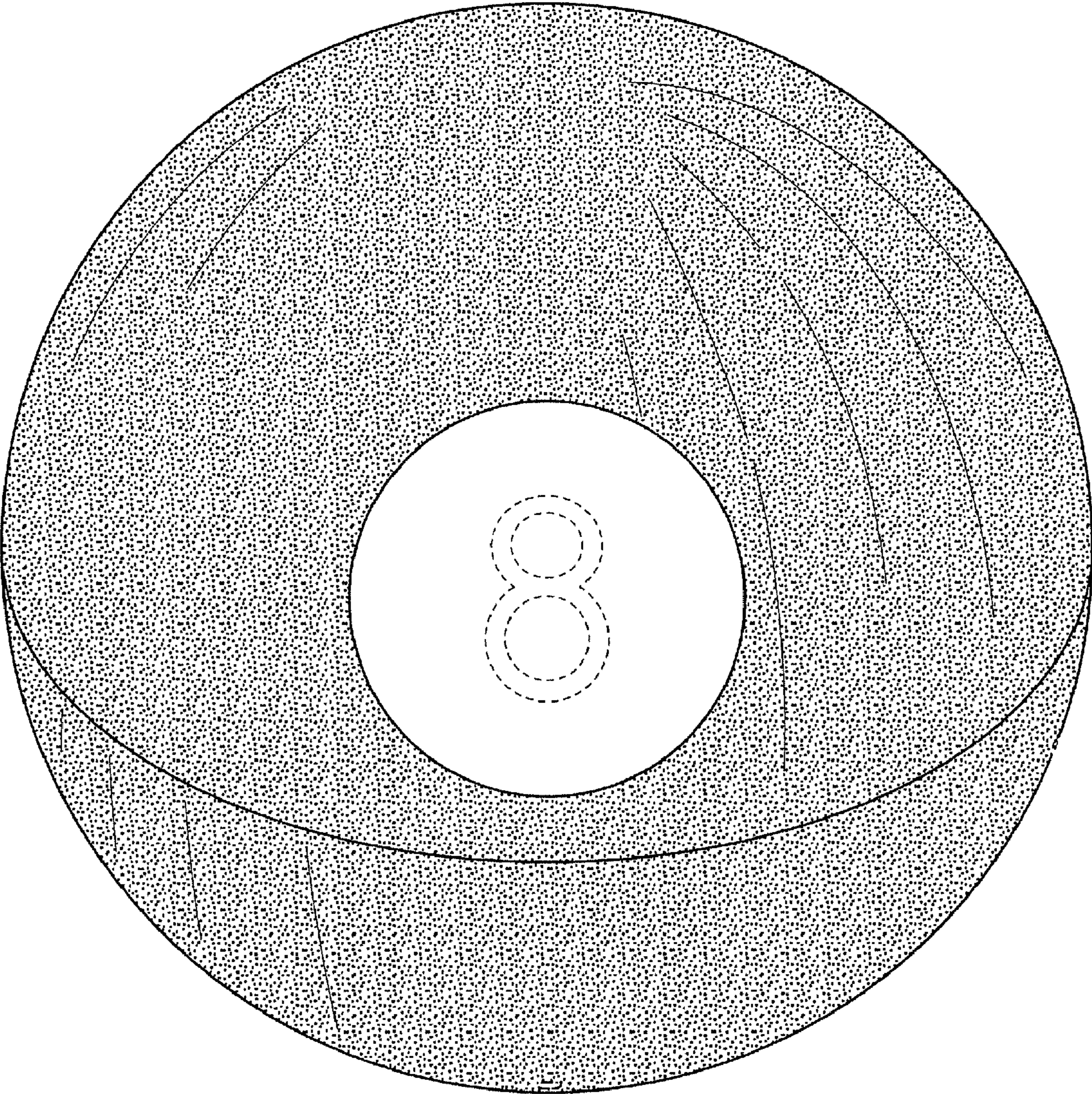


FIG. 8

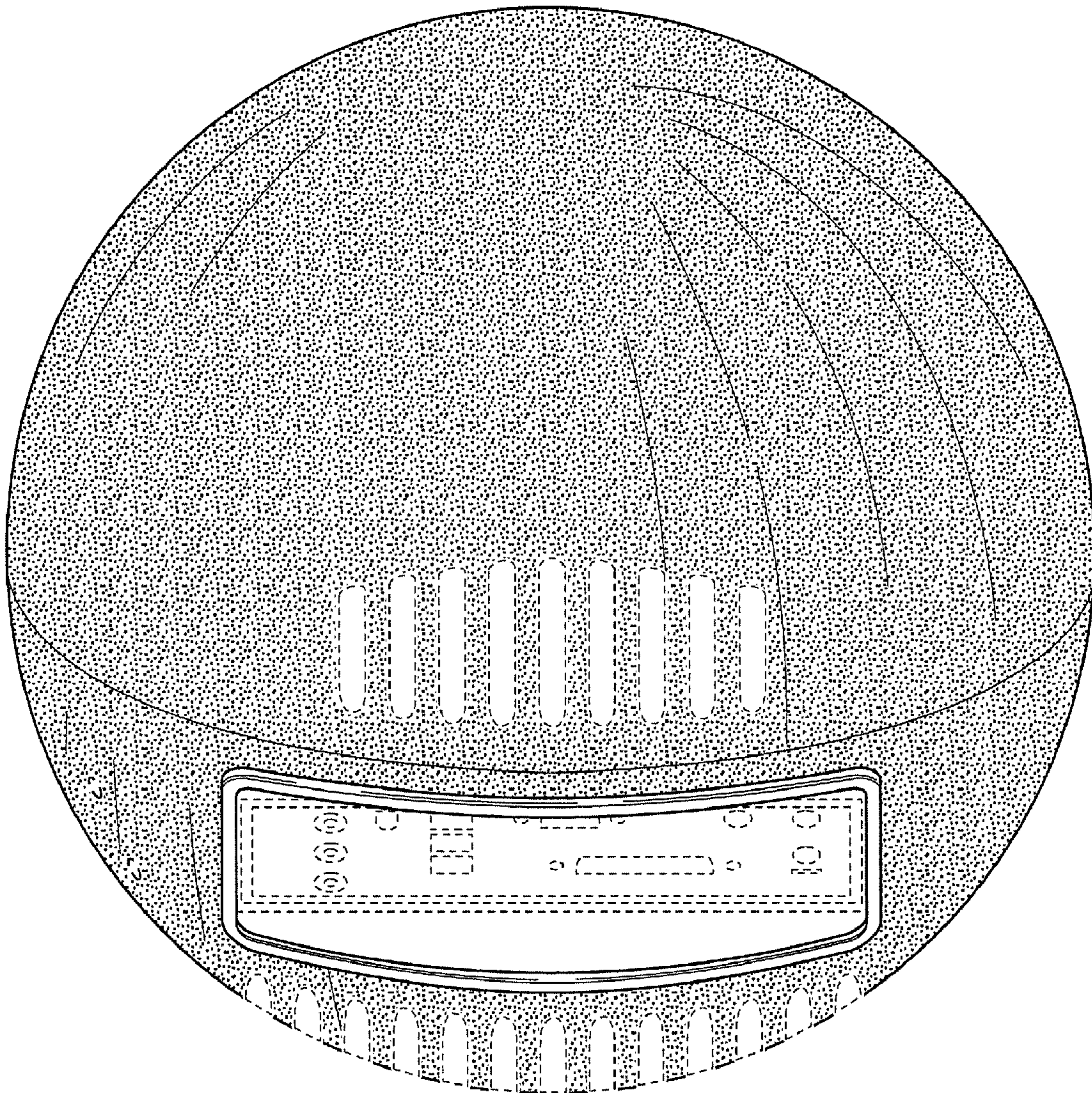


FIG. 9

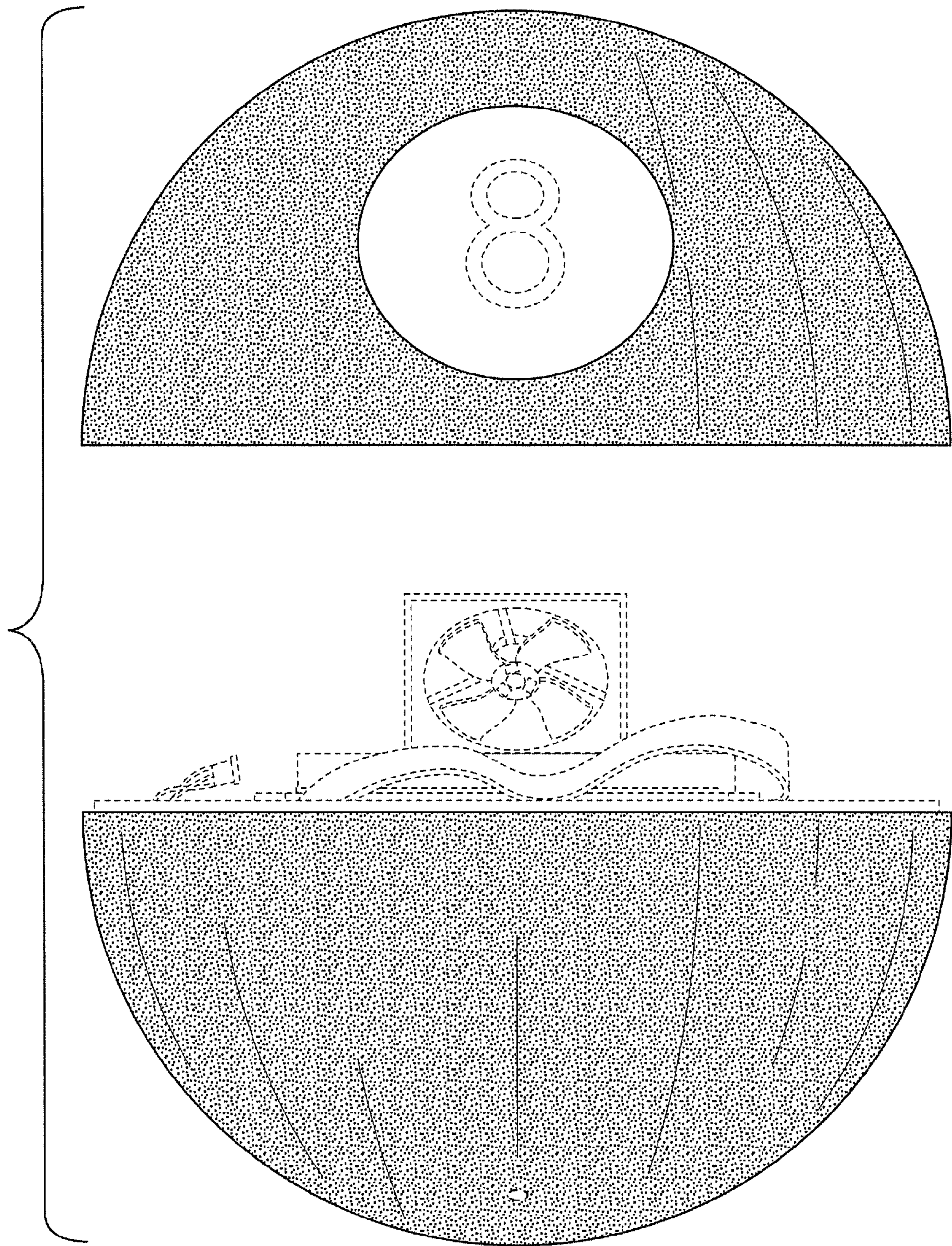


FIG. 10

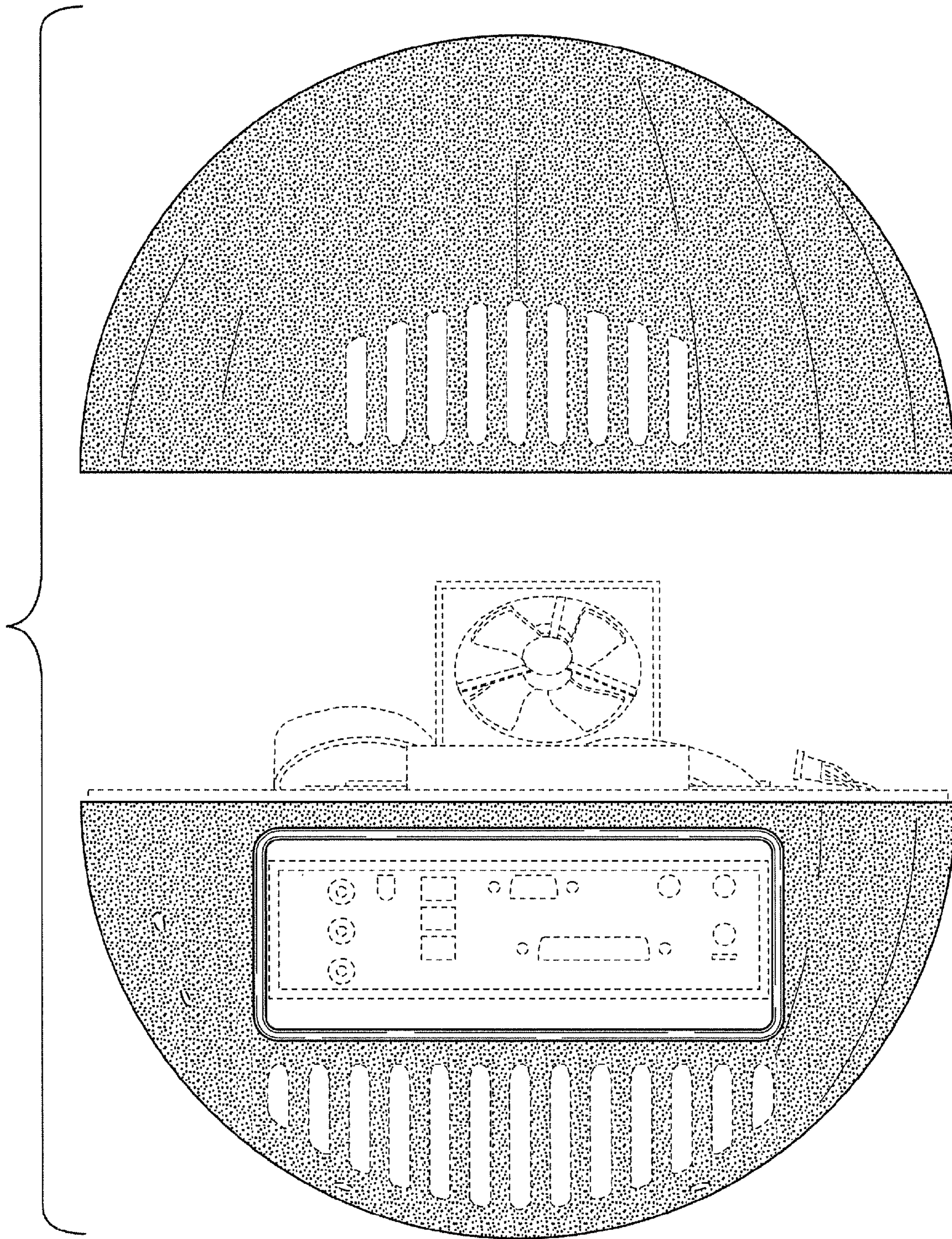


FIG. 11

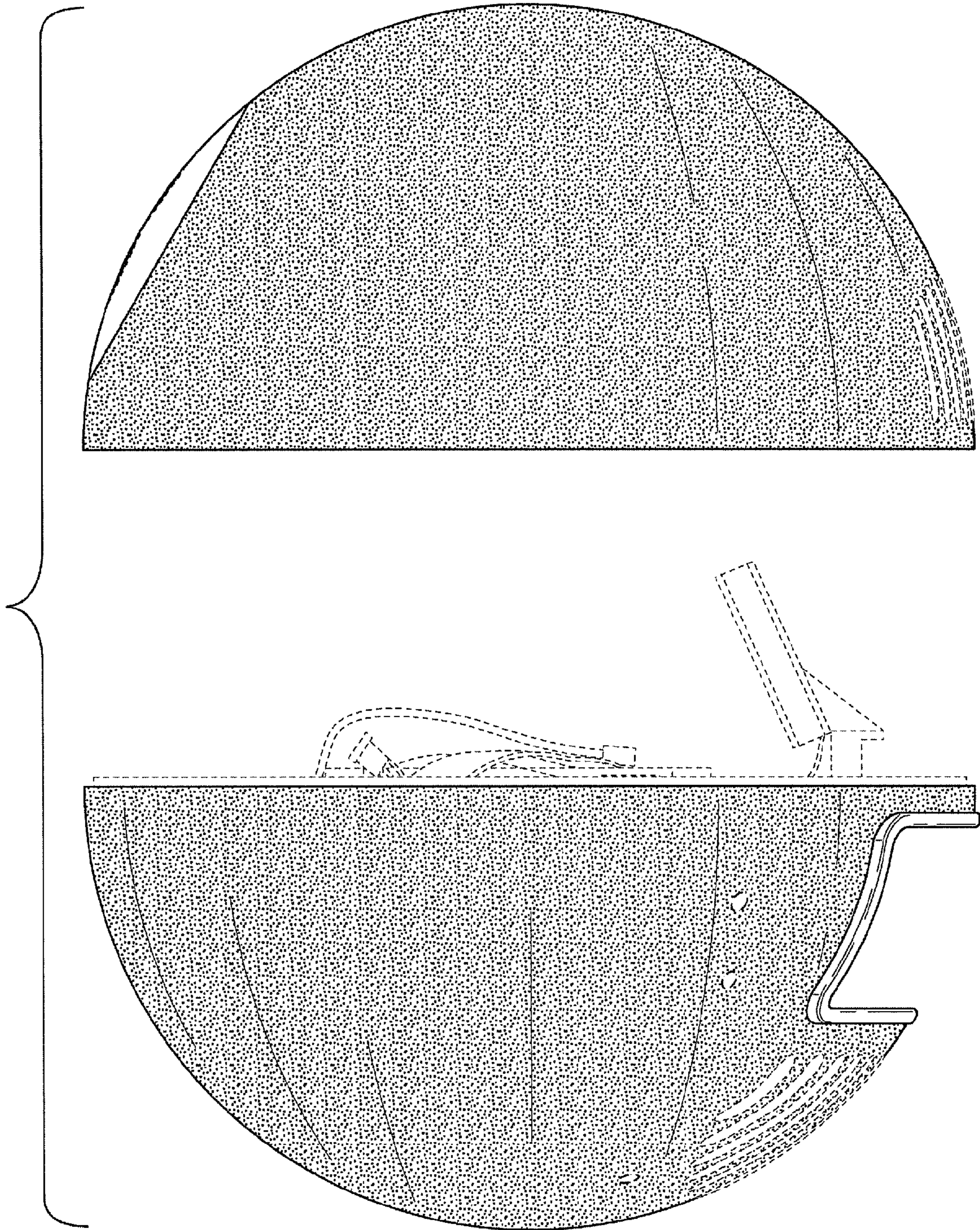


FIG. 12

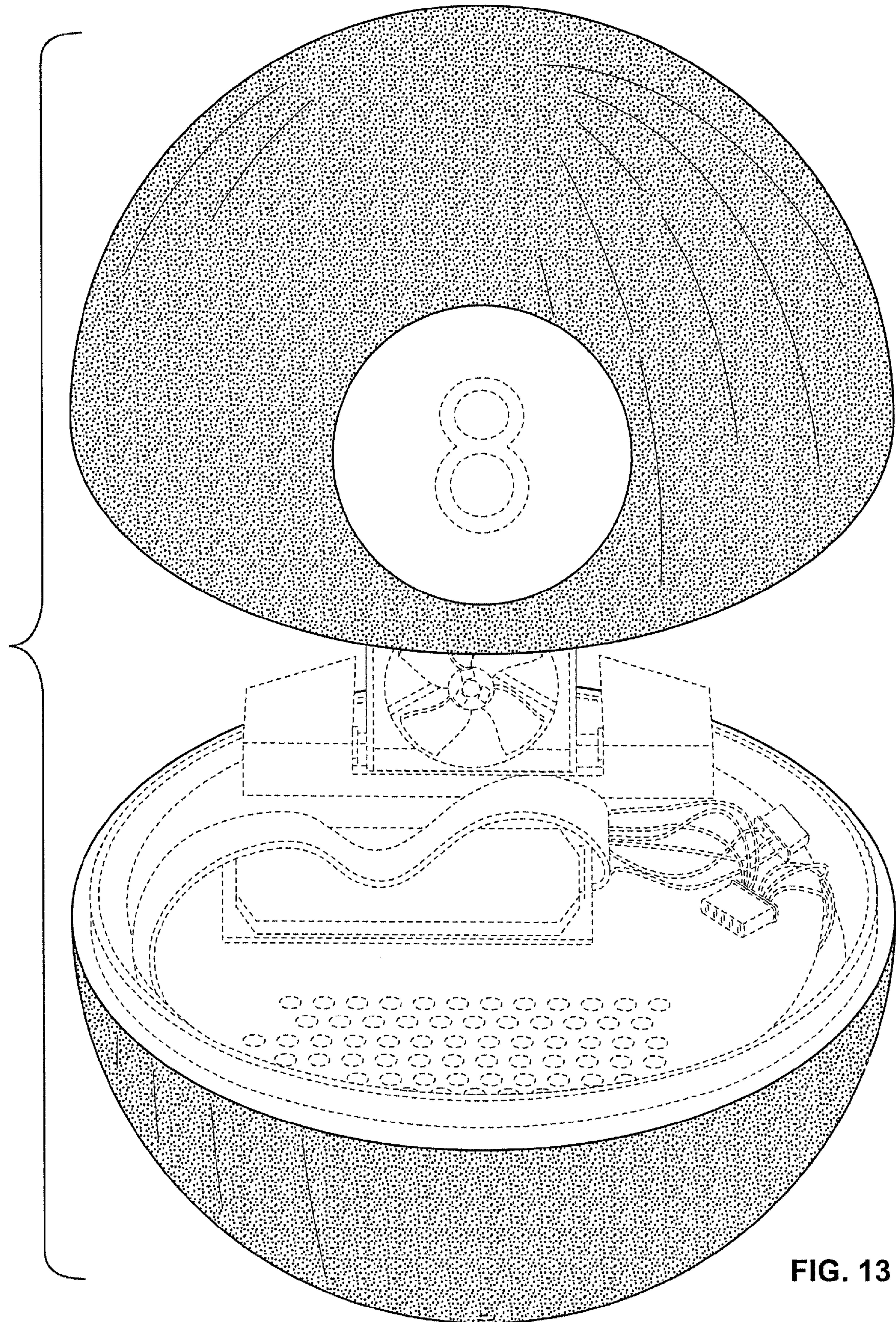


FIG. 13

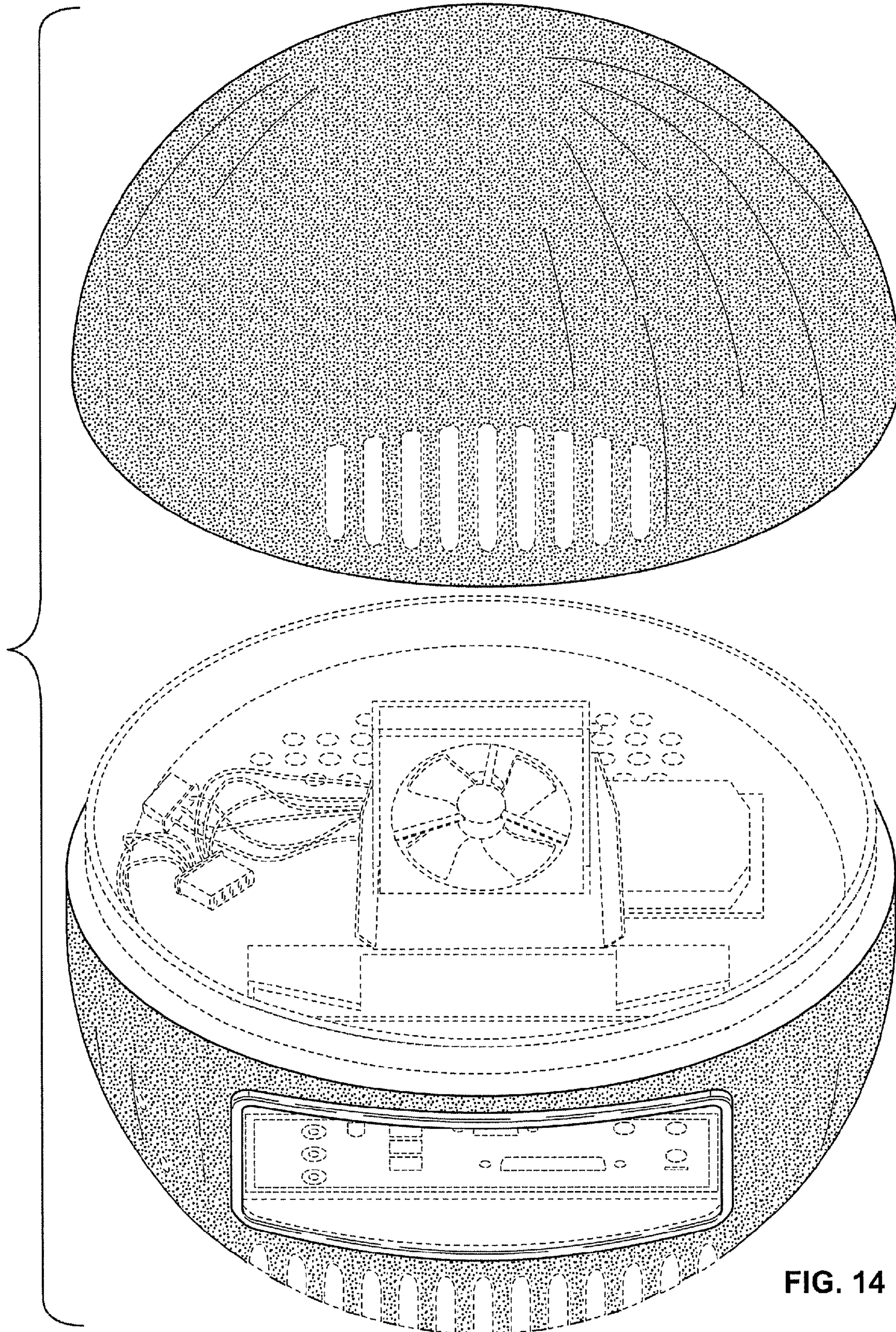


FIG. 14

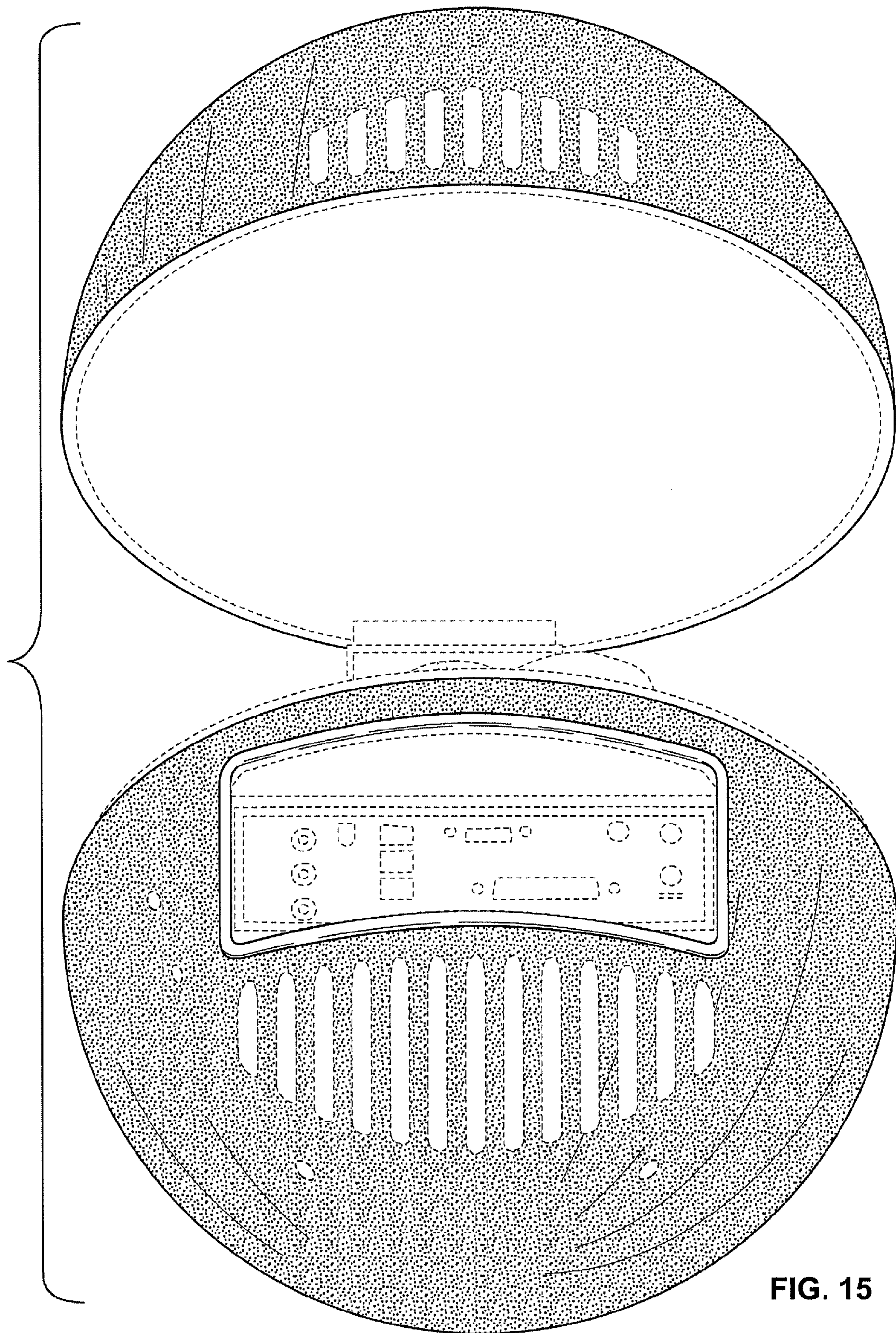


FIG. 15

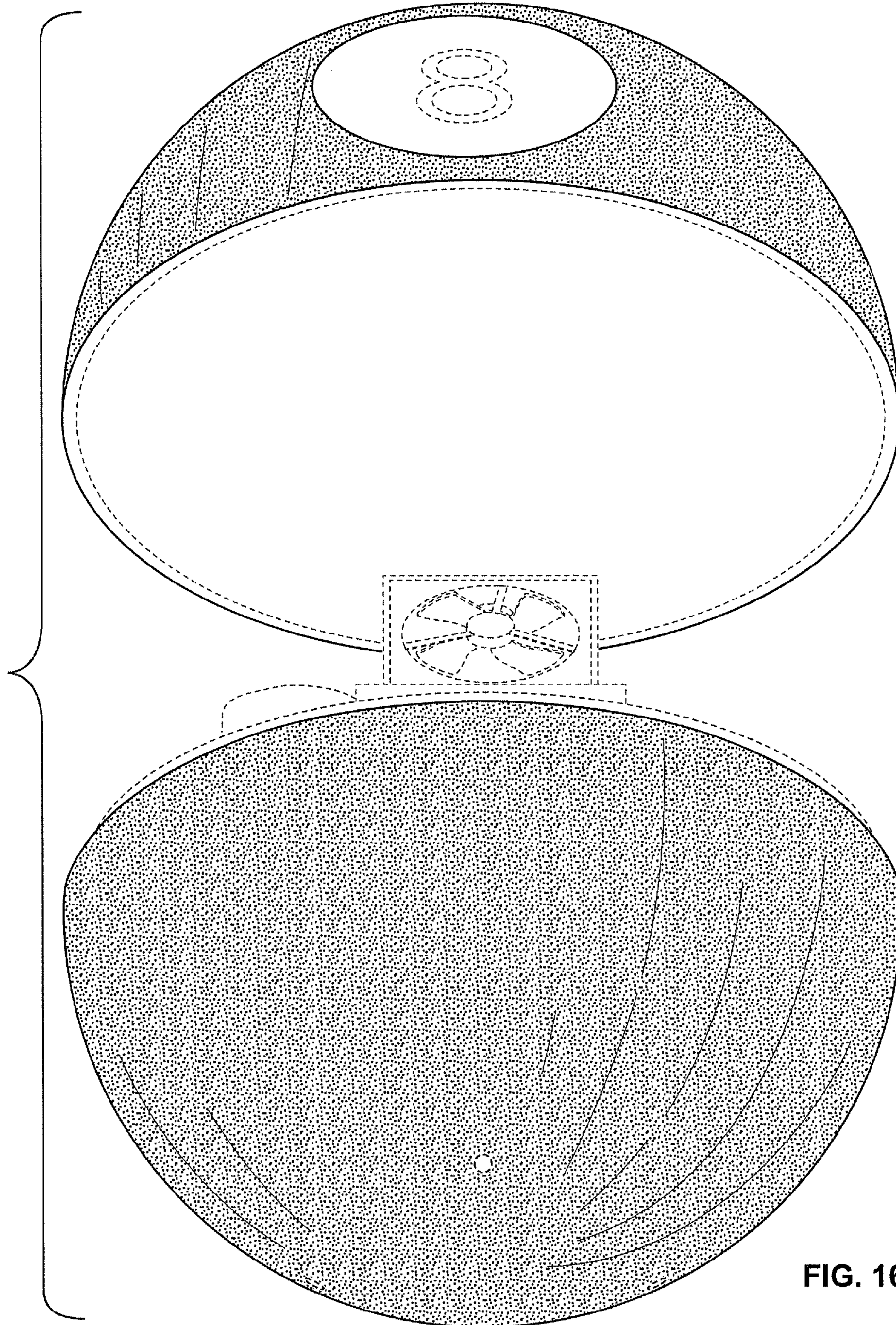


FIG. 16

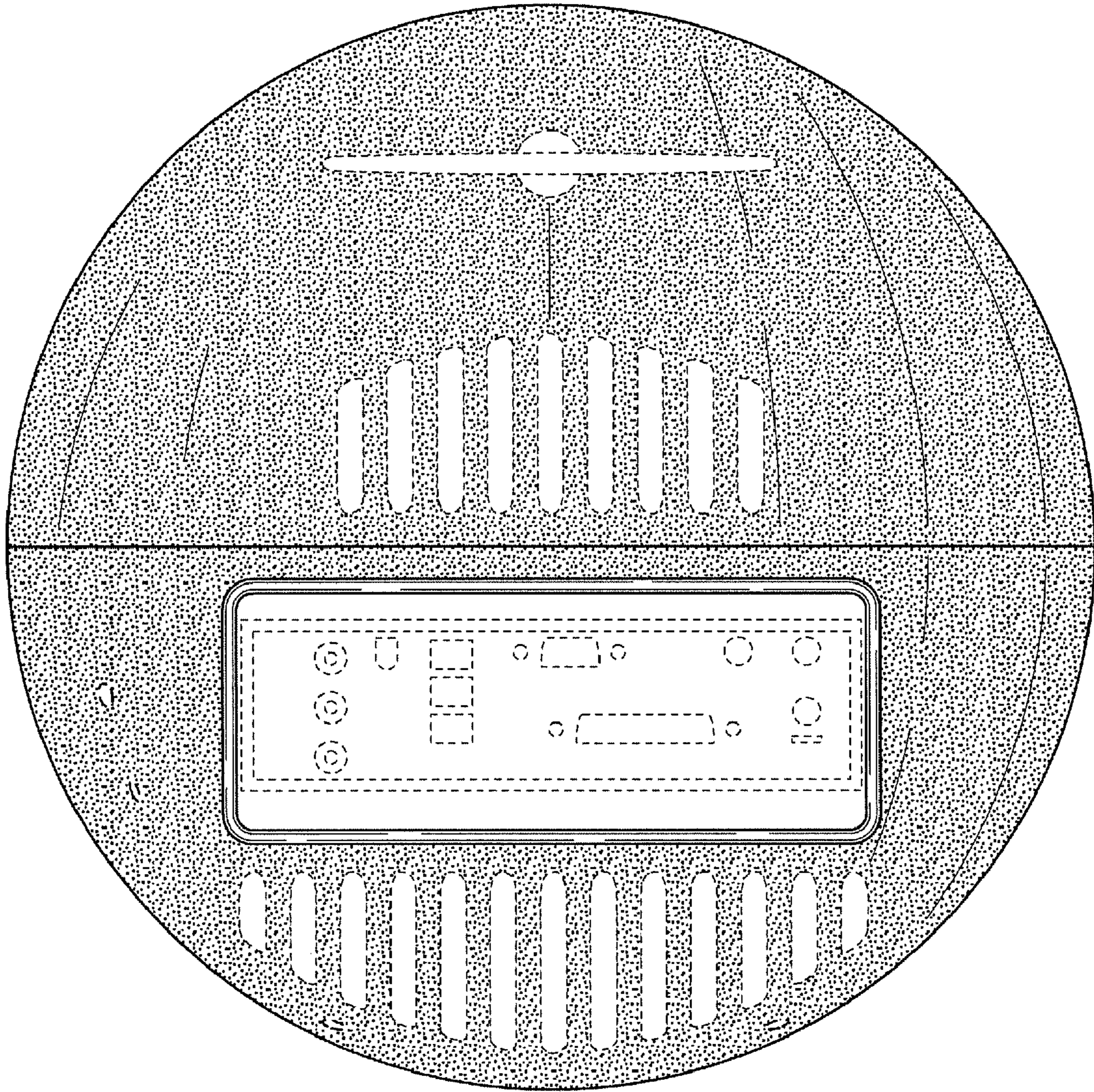


FIG. 17

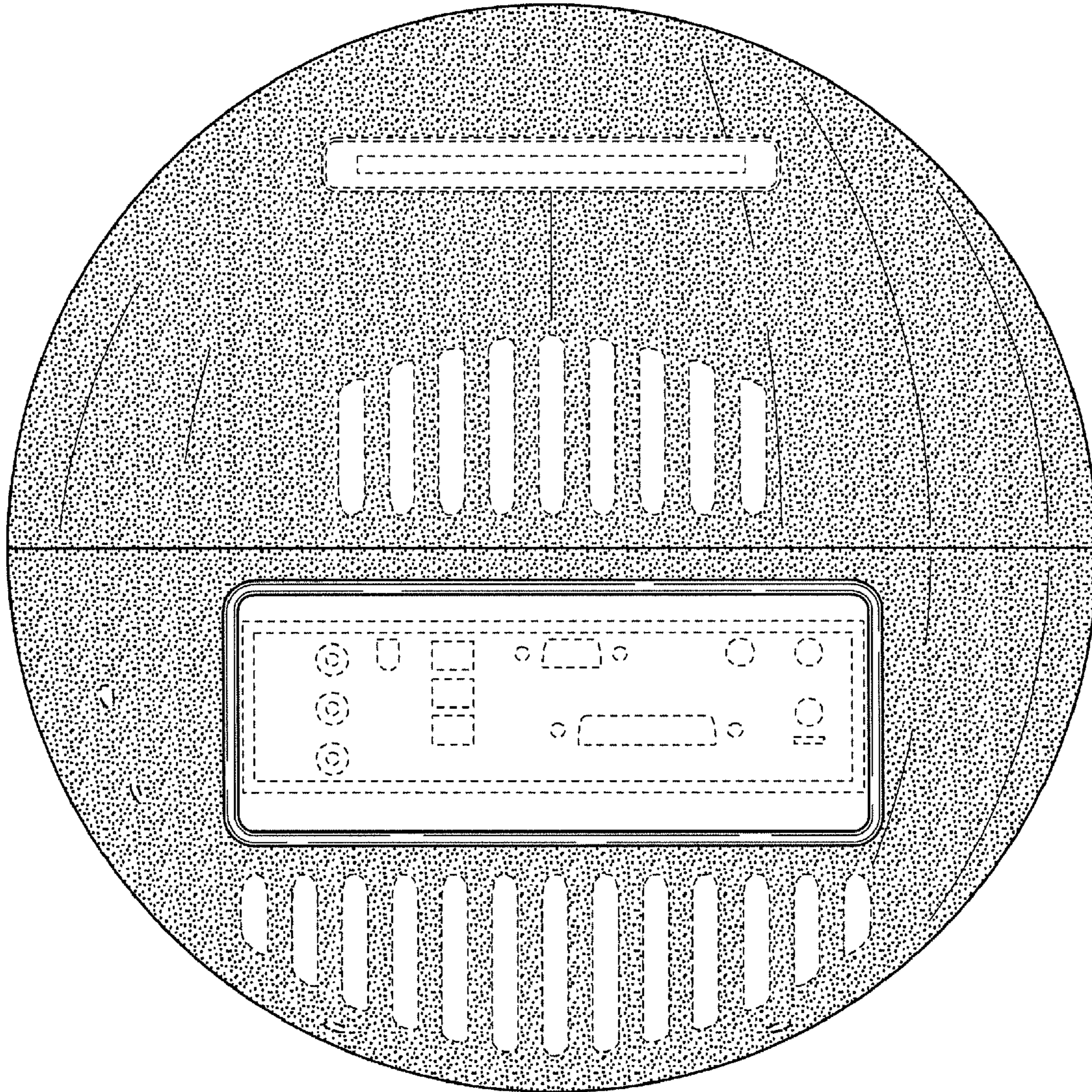


FIG. 18