



US00D609707S

(12) **United States Design Patent**
Lee

(10) **Patent No.:** **US D609,707 S**
(45) **Date of Patent:** **** Feb. 9, 2010**

(54) **DOCKING STATION FOR ELECTRONIC DEVICE**

(75) Inventor: **Chuen-Wah Lee**, Hong Kong (CN)

(73) Assignee: **Clipsal Australia Pty Limited**, Sydney (AU)

(**) Term: **14 Years**

(21) Appl. No.: **29/314,353**

(22) Filed: **Mar. 24, 2009**

(30) **Foreign Application Priority Data**

Sep. 25, 2008 (HK) 0802352

(51) **LOC (9) Cl.** **14-02**

(52) **U.S. Cl.** **D14/434**

(58) **Field of Classification Search** D14/432-434, D14/314, 204, 420, 421, 447, 217; D13/108, D13/146; D23/314, 328; 248/346.03; 361/679.41, 361/679.31, 379.32, 679.4, 679.43; 70/58; D21/333; 320/112, 109; 348/375; 381/333
See application file for complete search history.

(56) **References Cited**

U.S. PATENT DOCUMENTS

D469,097 S * 1/2003 Liu D14/434
7,145,603 B2 * 12/2006 Whitby et al. 348/375
D534,862 S * 1/2007 Aguilar D13/108

D554,107 S * 10/2007 Calco et al. D14/217
D558,207 S * 12/2007 Ikeda et al. D14/434
7,332,890 B2 * 2/2008 Cohen et al. 320/109
D563,868 S * 3/2008 Christopher et al. D13/108
D575,289 S * 8/2008 Kuo et al. D14/434
D584,731 S * 1/2009 Montgomery et al. D14/434
D585,898 S * 2/2009 Skurdal D14/434
2008/0219488 A1 * 9/2008 Crooijmans et al. 381/333

* cited by examiner

Primary Examiner—Freda S Nunn

(74) *Attorney, Agent, or Firm*—Alix, Yale & Ristas, LLP

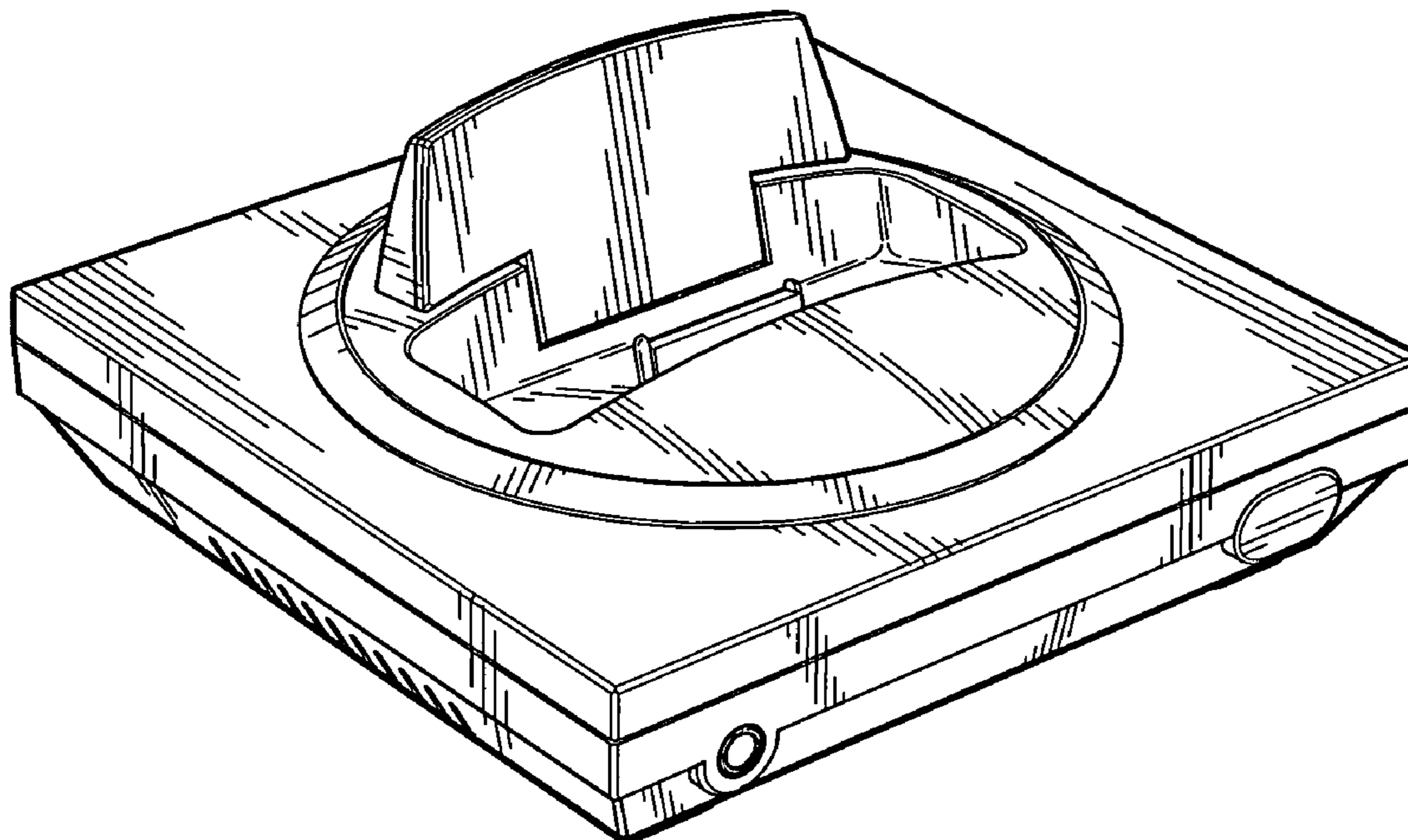
(57) **CLAIM**

The ornamental design for a docking station for electronic device, as shown and described.

DESCRIPTION

FIG. 1 is a front perspective view of a docking station for electronic device showing my new design;
FIG. 2 is a rear perspective view thereof;
FIG. 3 is a top plan view thereof;
FIG. 4 is a front elevational view thereof.
FIG. 5 is a rear elevational view thereof;
FIG. 6 is a bottom plan view thereof;
FIG. 7 is a right side elevational view thereof; and,
FIG. 8 is a left side elevational view thereof.

1 Claim, 4 Drawing Sheets



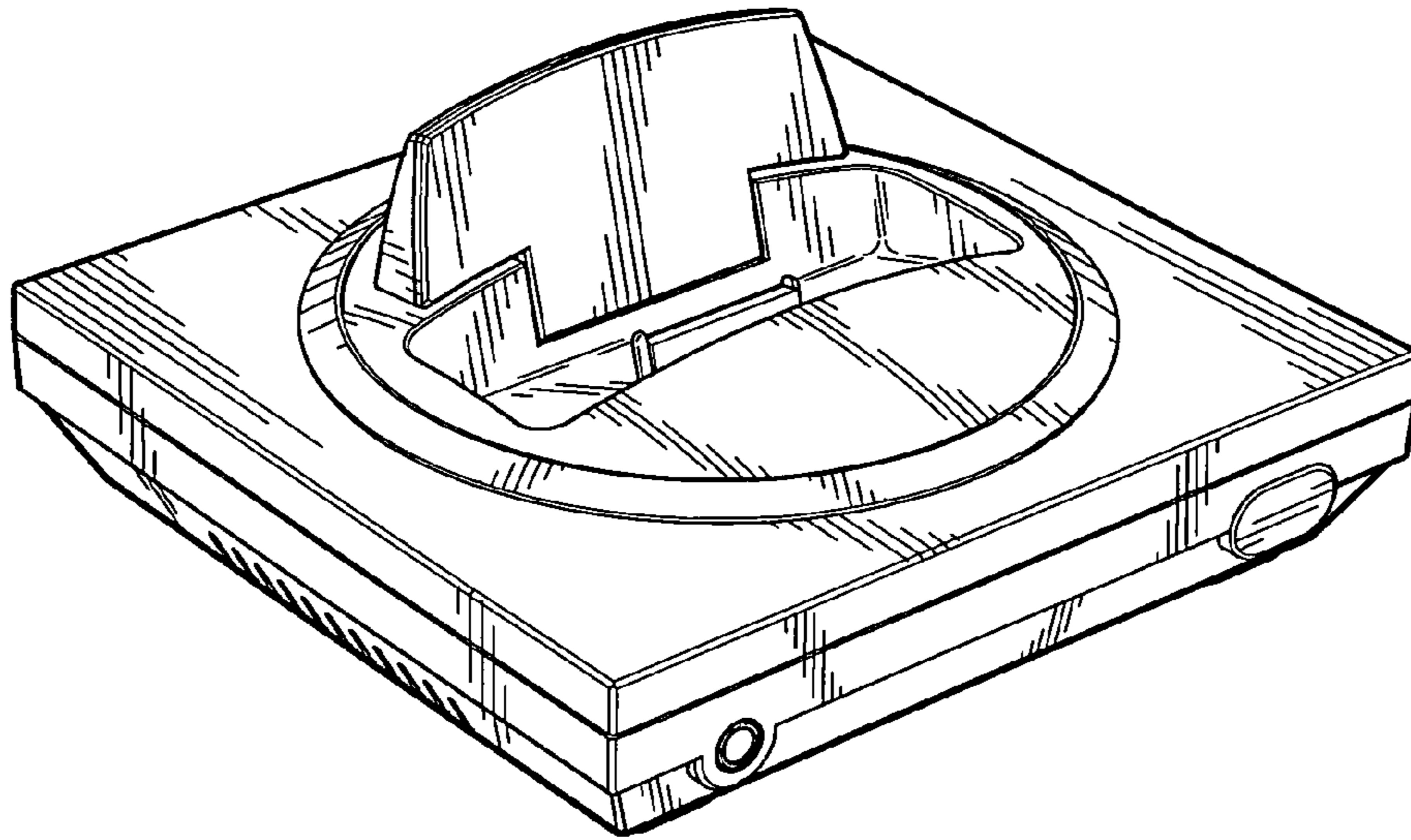


FIG. 1

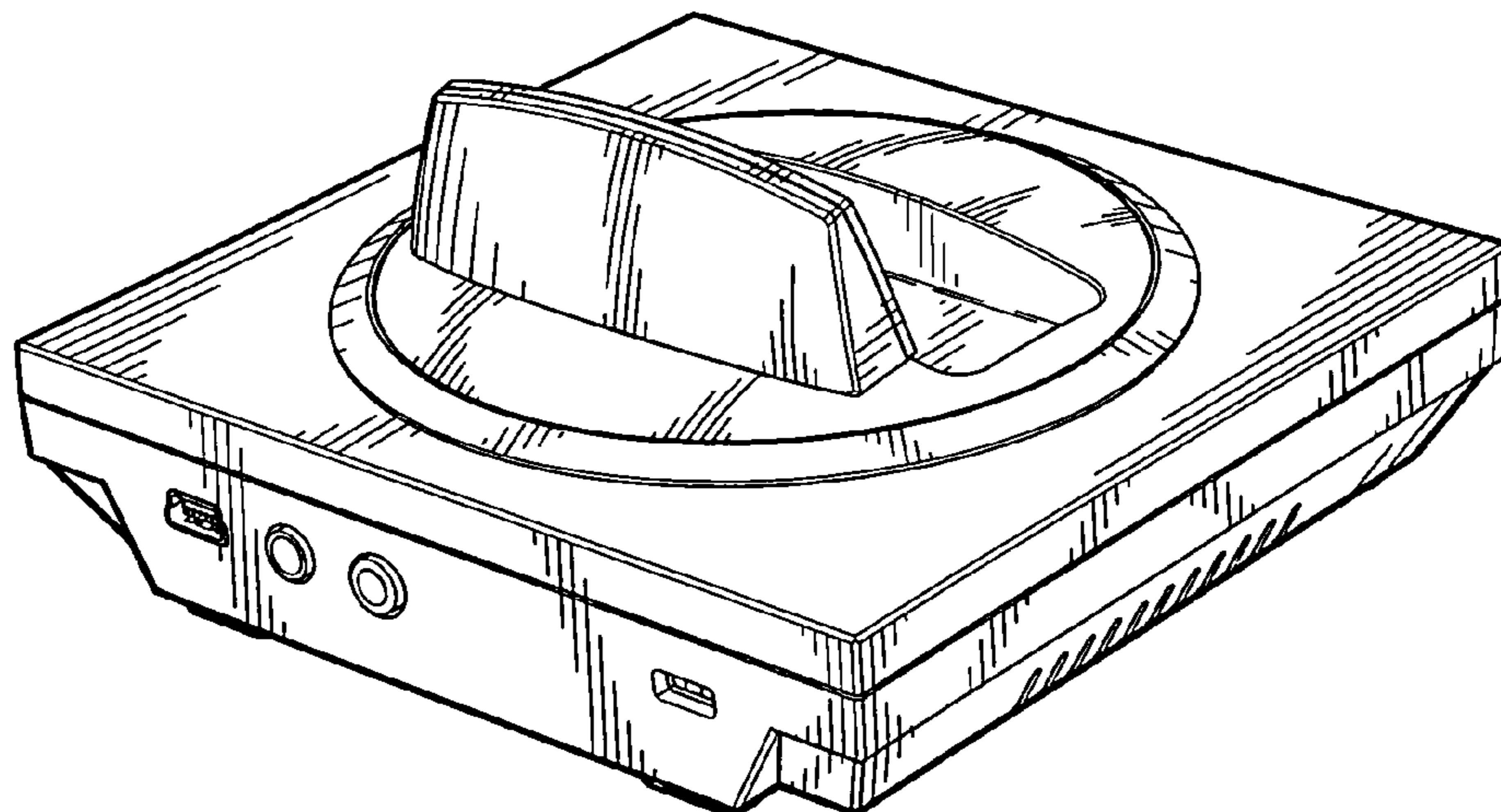


FIG. 2

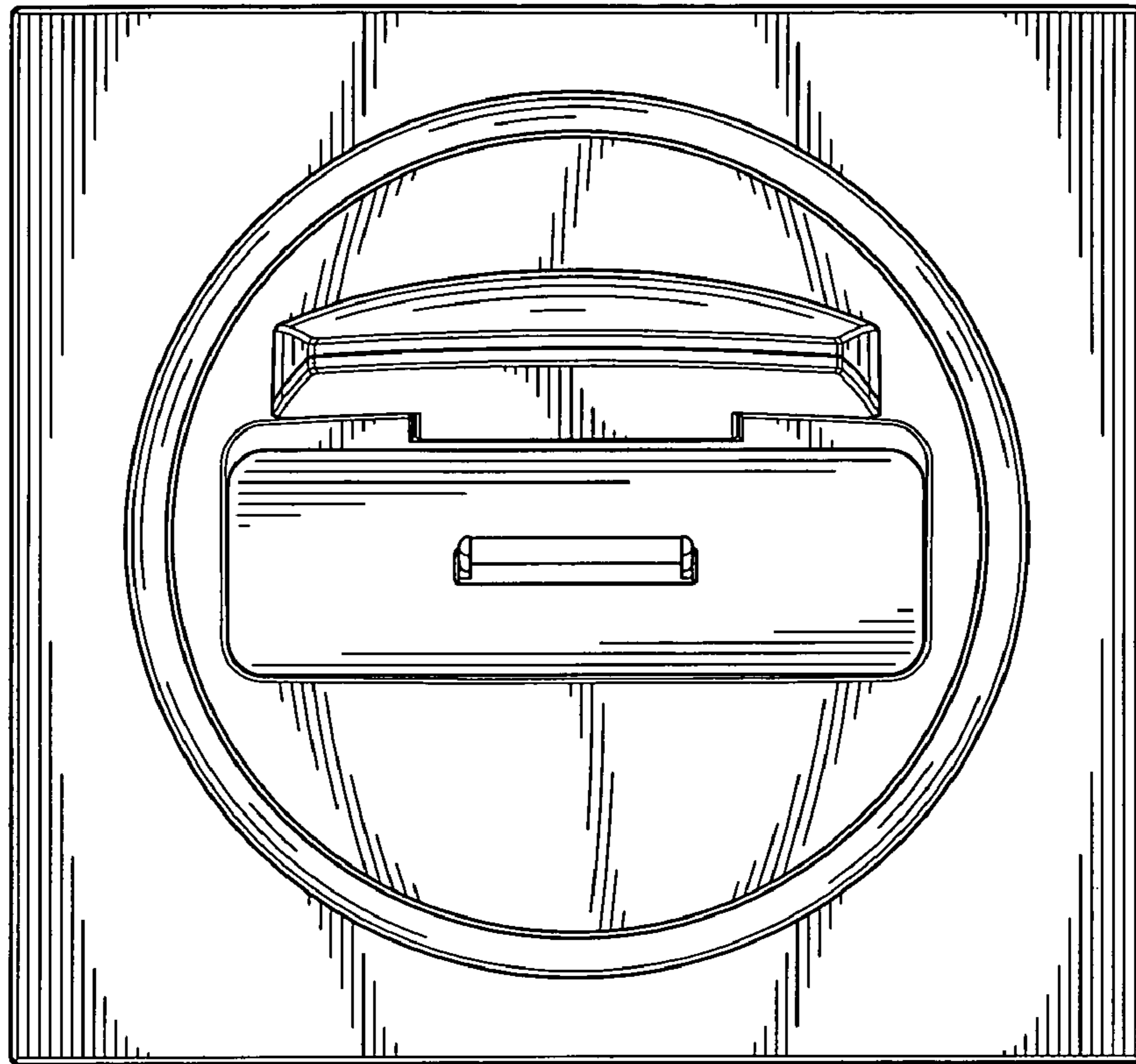


FIG.3

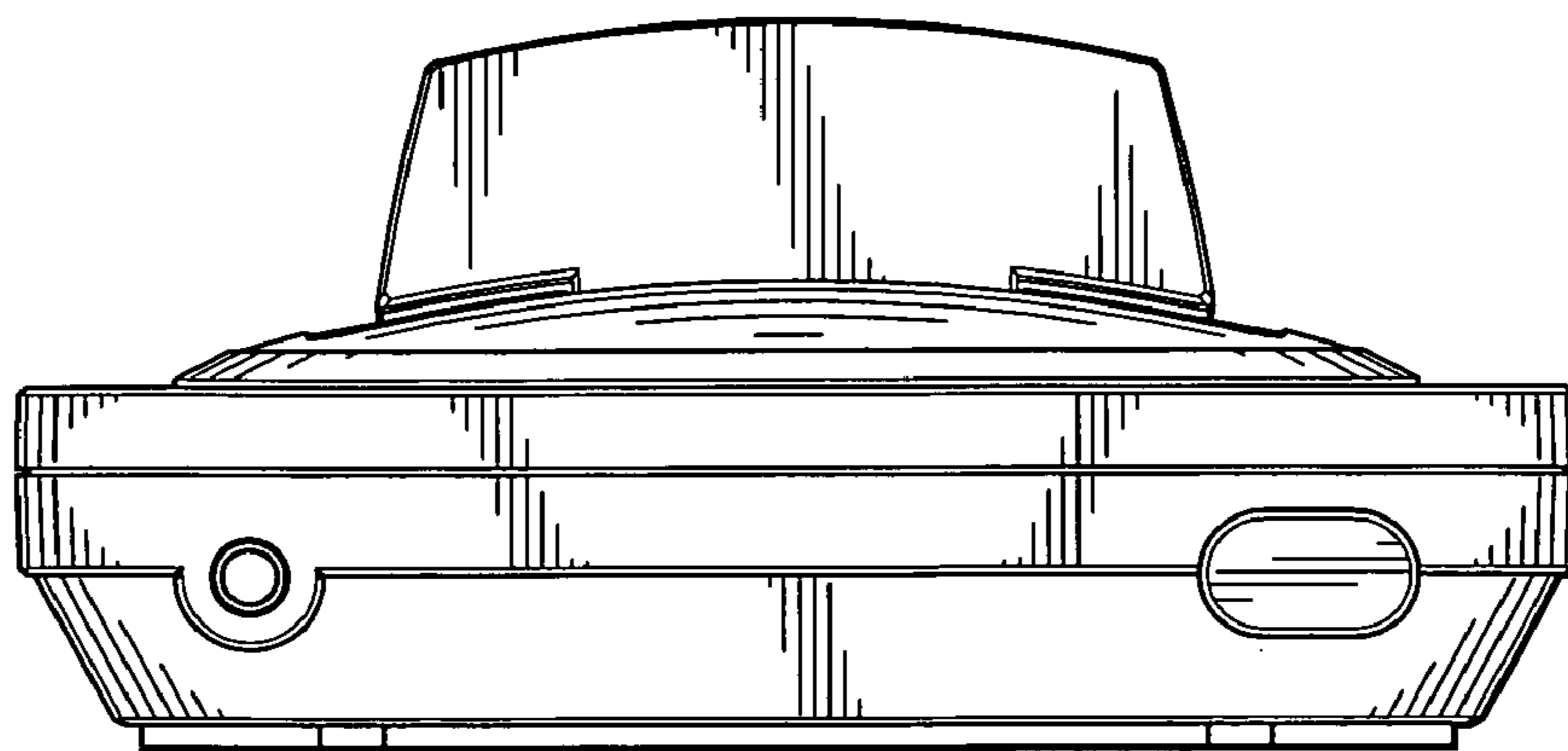


FIG.4

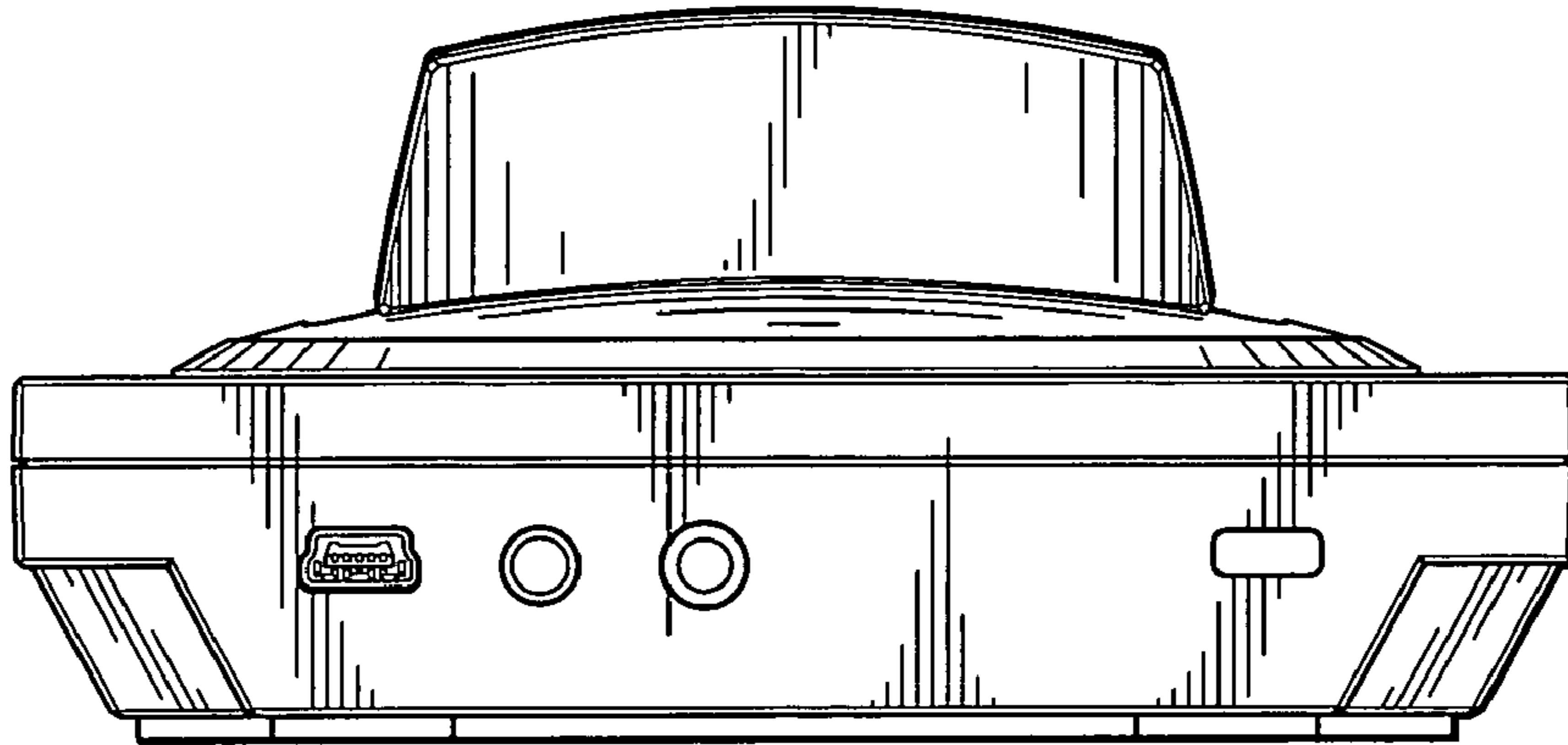


FIG. 5

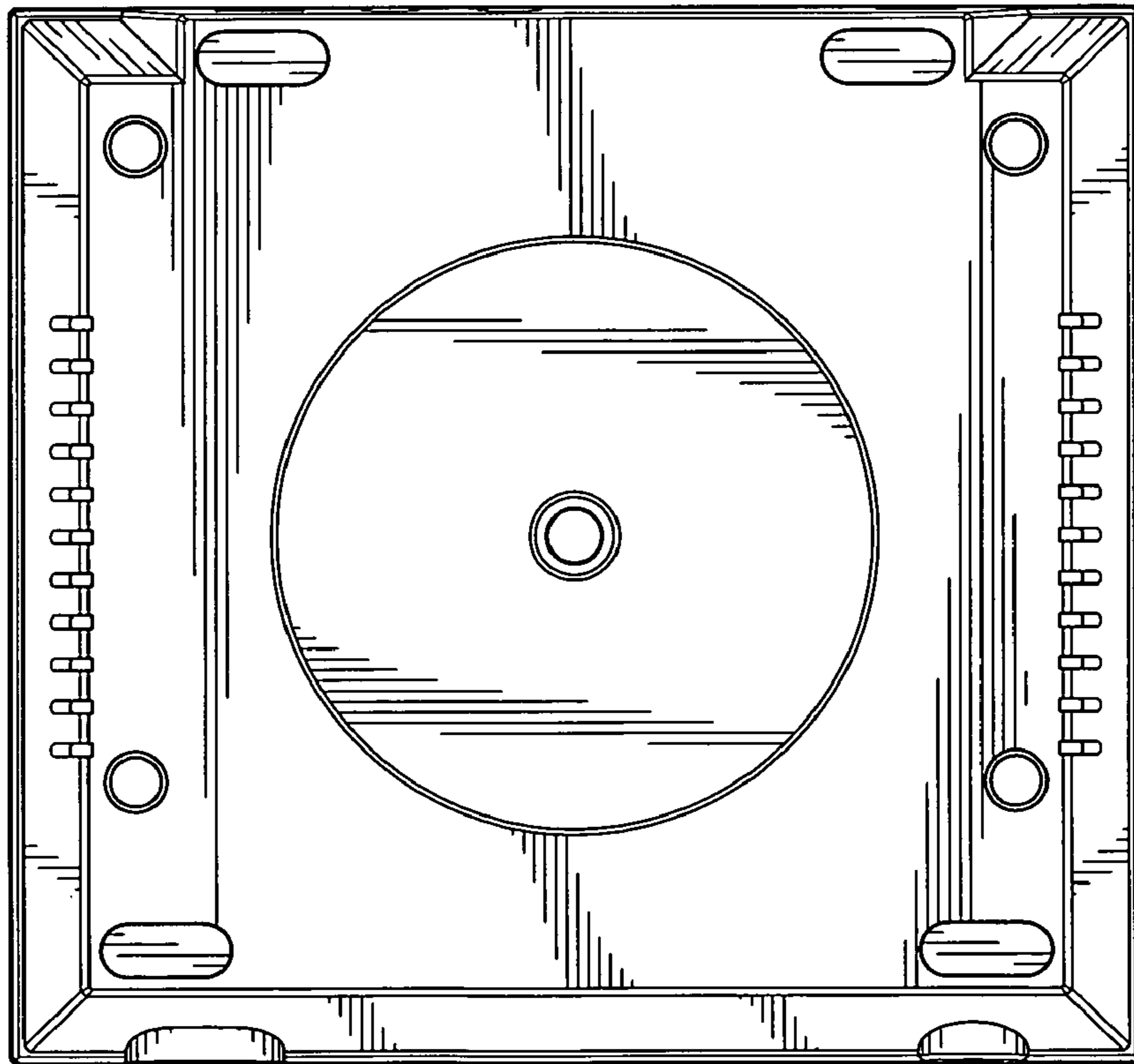


FIG. 6

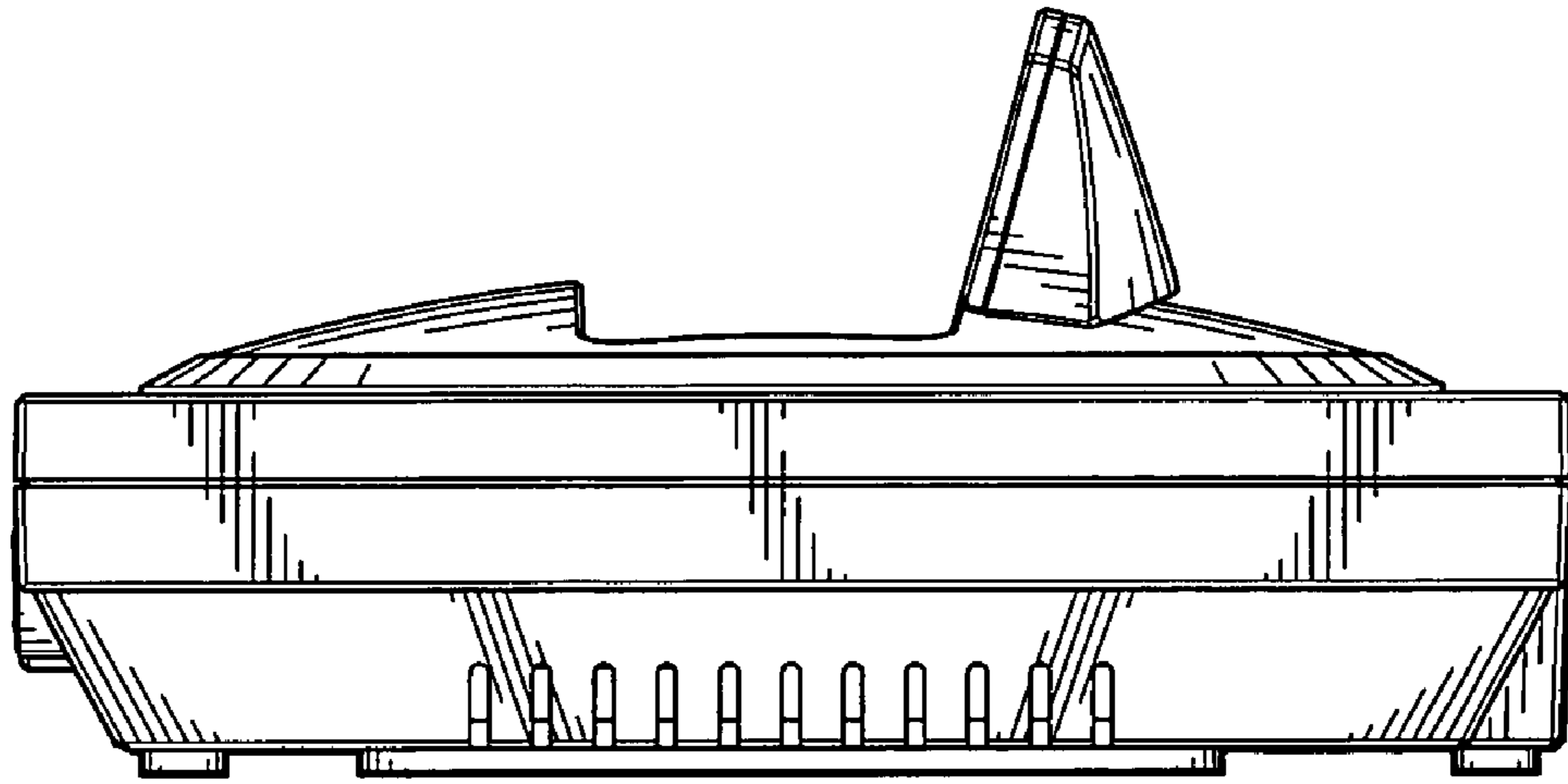


FIG. 7

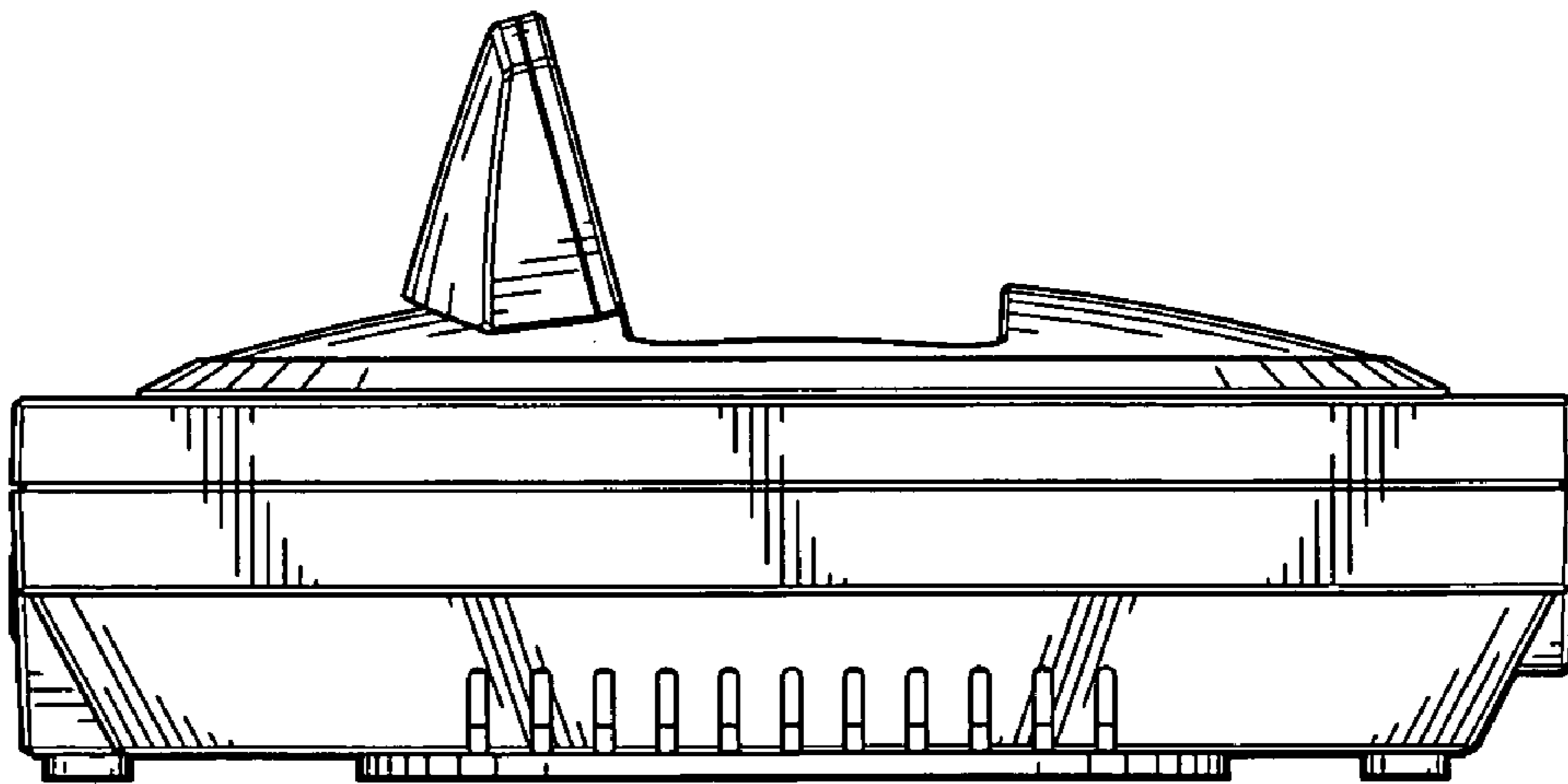


FIG. 8