



US00D609705S

(12) **United States Design Patent**  
**Andre et al.**

(10) **Patent No.:** **US D609,705 S**  
(45) **Date of Patent:** **\*\* Feb. 9, 2010**

(54) **MONITOR**

(75) Inventors: **Bartley K. Andre**, Menlo Park, CA (US); **Daniel J. Coster**, San Francisco, CA (US); **Daniele De Iuliis**, San Francisco, CA (US); **Evans Hankey**, San Francisco, CA (US); **Richard P. Howarth**, San Francisco, CA (US); **Jonathan P. Ive**, San Francisco, CA (US); **Duncan Robert Kerr**, San Francisco, CA (US); **Shin Nishibori**, Portola Valley, CA (US); **Matthew Dean Rohrbach**, San Francisco, CA (US); **Peter Russell-Clarke**, San Francisco, CA (US); **Douglas B. Satzger**, Menlo Park, CA (US); **Christopher J. Stringer**, Woodside, CA (US); **Eugene Antony Whang**, San Francisco, CA (US); **Rico Zorkendorfer**, San Francisco, CA (US)

(73) Assignee: **Apple Inc.**, Cupertino, CA (US)

(\*\*) Term: **14 Years**

(21) Appl. No.: **29/338,530**

(22) Filed: **Jun. 12, 2009**

**Related U.S. Application Data**

(62) Division of application No. 29/326,078, filed on Oct. 10, 2008, now Pat. No. Des. 600,696.

(51) **LOC (9) Cl.** ..... **14-02**

(52) **U.S. Cl.** ..... **D14/374**

(58) **Field of Classification Search** ..... D14/371-375, D14/125-129, 356; 248/917-924, 176.1, 248/278.1; 341/12; 345/104, 156, 168, 173, 345/901-905; 348/180, 184, 325, 739; 349/1, 349/2, 11, 62

See application file for complete search history.

(56) **References Cited**

U.S. PATENT DOCUMENTS

D414,471 S	9/1999	Poole et al.
D416,877 S	11/1999	Liu et al.
D424,033 S	5/2000	Hsu
D424,034 S	5/2000	Li
D432,101 S	10/2000	Oba
D434,763 S	12/2000	Jobs et al.
D448,031 S	9/2001	Goetz
D456,023 S	4/2002	Andre et al.

(Continued)

*Primary Examiner*—Freda S Nunn  
(74) *Attorney, Agent, or Firm*—Saidman DesignLaw Group

(57) **CLAIM**

The ornamental design for a monitor, as shown and described.

**DESCRIPTION**

FIG. 1 is a perspective view of a monitor showing our new design;

FIG. 2 is a front view thereof;

FIG. 3 is a rear view thereof;

FIG. 4 is a left side view thereof;

FIG. 5 is a right side view thereof;

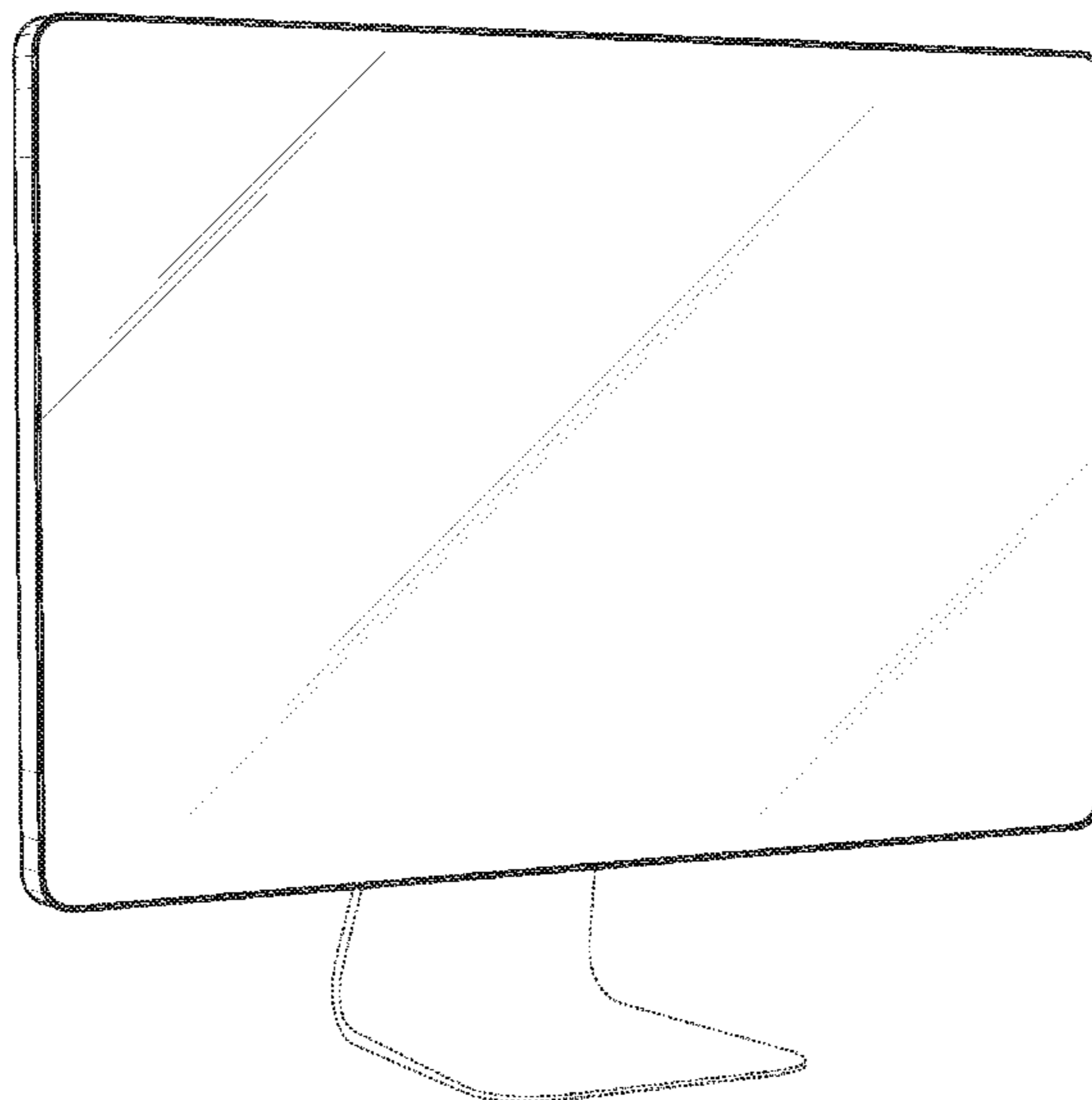
FIG. 6 is a top view thereof;

FIG. 7 is a bottom view thereof; and,

FIG. 8 is a rear perspective view thereof.

The claimed design is shown in solid, relatively bold lines. The relatively thin shade lines show contour and not surface ornamentation. The closely spaced parallel diagonal shade lines represent a translucent surface. The broken lines are environmental and form no part of the claimed design.

**1 Claim, 6 Drawing Sheets**



# US D609,705 S

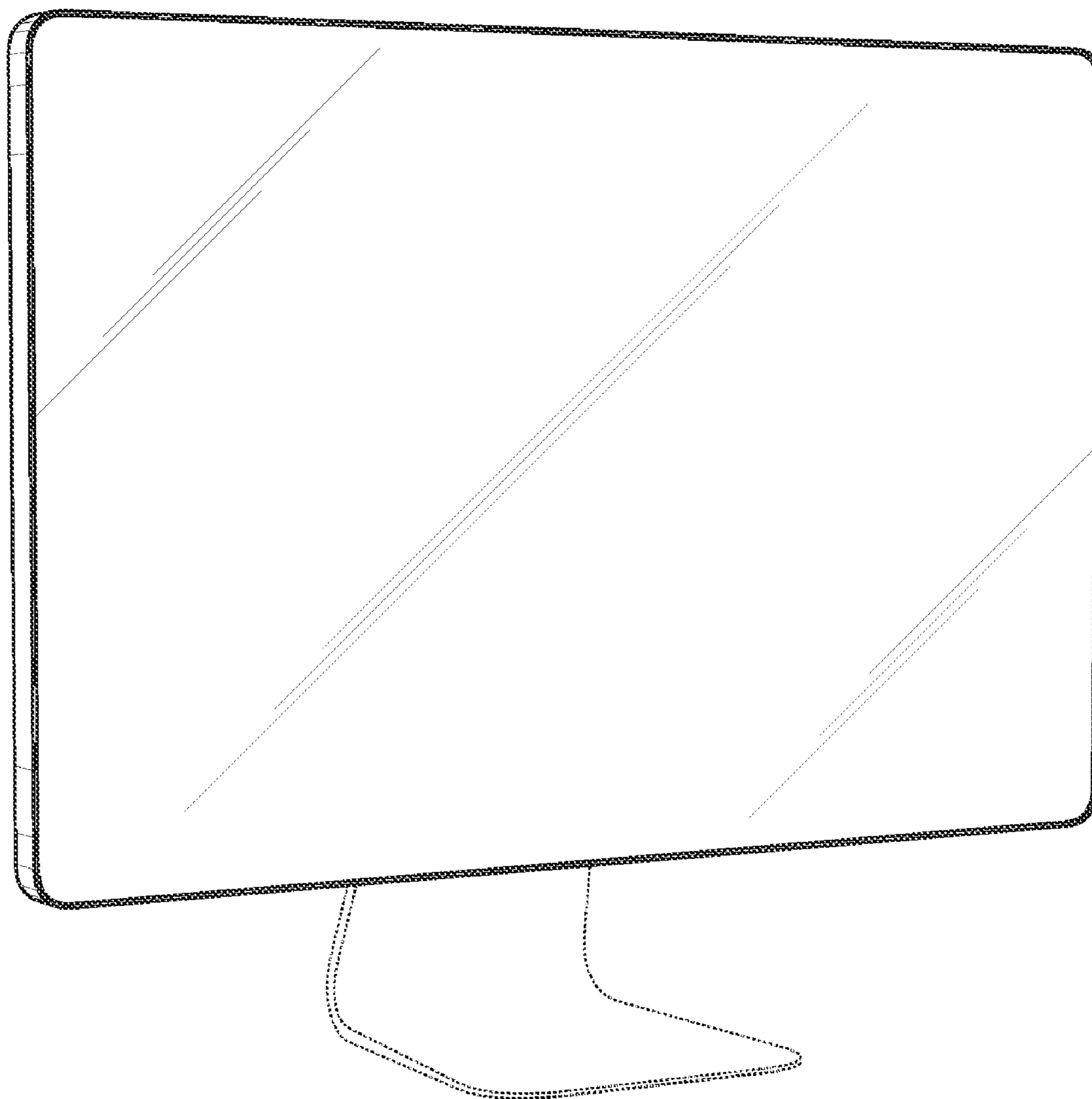
Page 2

---

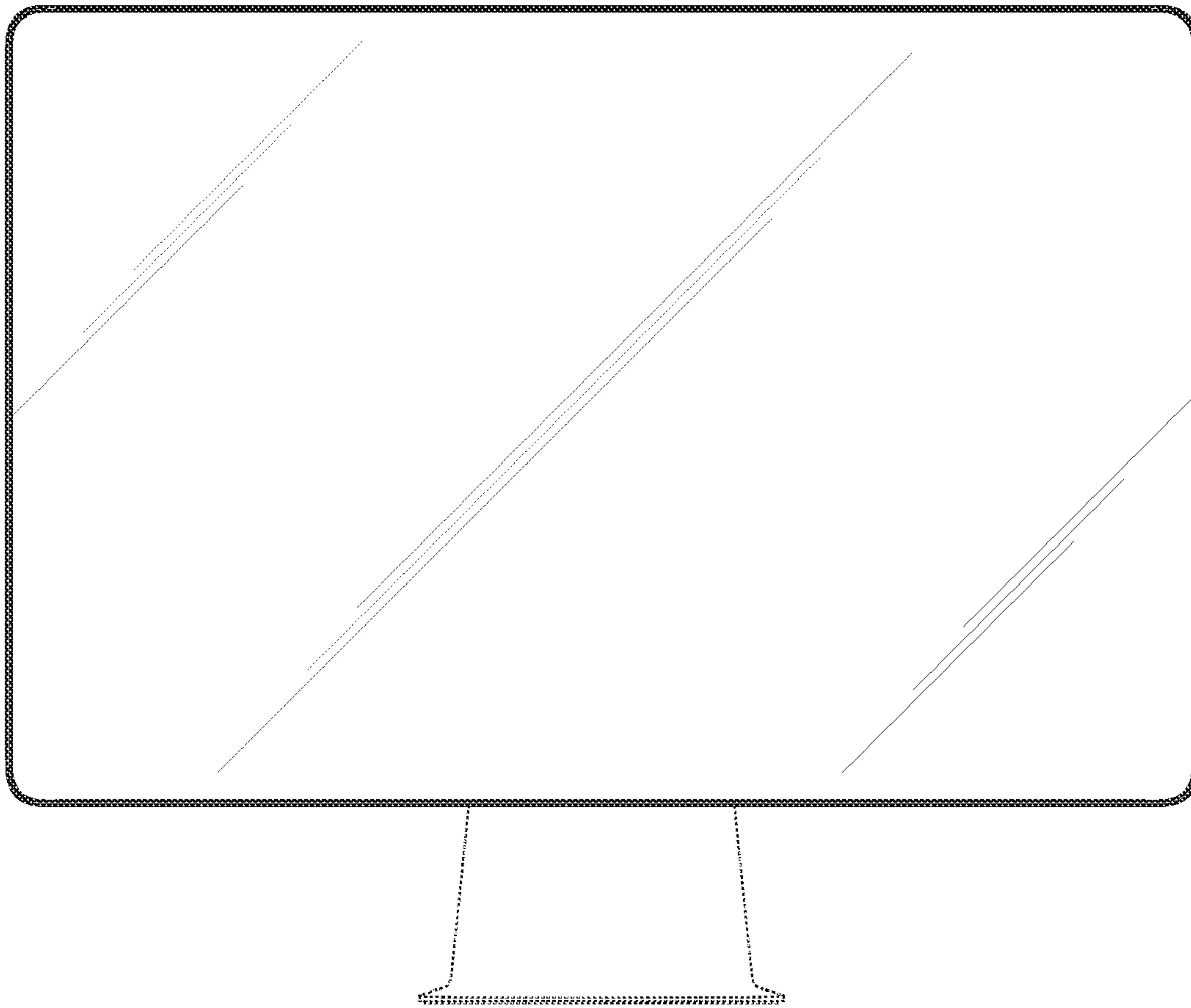
## U.S. PATENT DOCUMENTS

D464,049 S	10/2002	Goto		D532,011 S	11/2006	Andre et al.	
D476,335 S	6/2003	Miao et al.		D533,519 S *	12/2006	Ellison .....	D14/126
D492,684 S	7/2004	Ozolins et al.		D541,278 S	4/2007	Hsu et al.	
D495,706 S *	9/2004	Lin et al. ....	D14/374	D541,799 S	5/2007	Andre et al.	
D497,364 S	10/2004	Ozolins et al.		D549,673 S	8/2007	Niitsu	
D500,037 S	12/2004	Ozolins et al.		D556,755 S	12/2007	Lee et al.	
D504,889 S	5/2005	Andre et al.		D558,200 S *	12/2007	Tsai .....	D14/375
D529,913 S *	10/2006	Chen et al. ....	D14/375	D570,841 S *	6/2008	Kim et al. ....	D14/375
D530,329 S	10/2006	Chen et al.		2002/0020792 A1 *	2/2002	Lee .....	248/278.1
				2006/0237599 A1	10/2006	Ternus et al.	

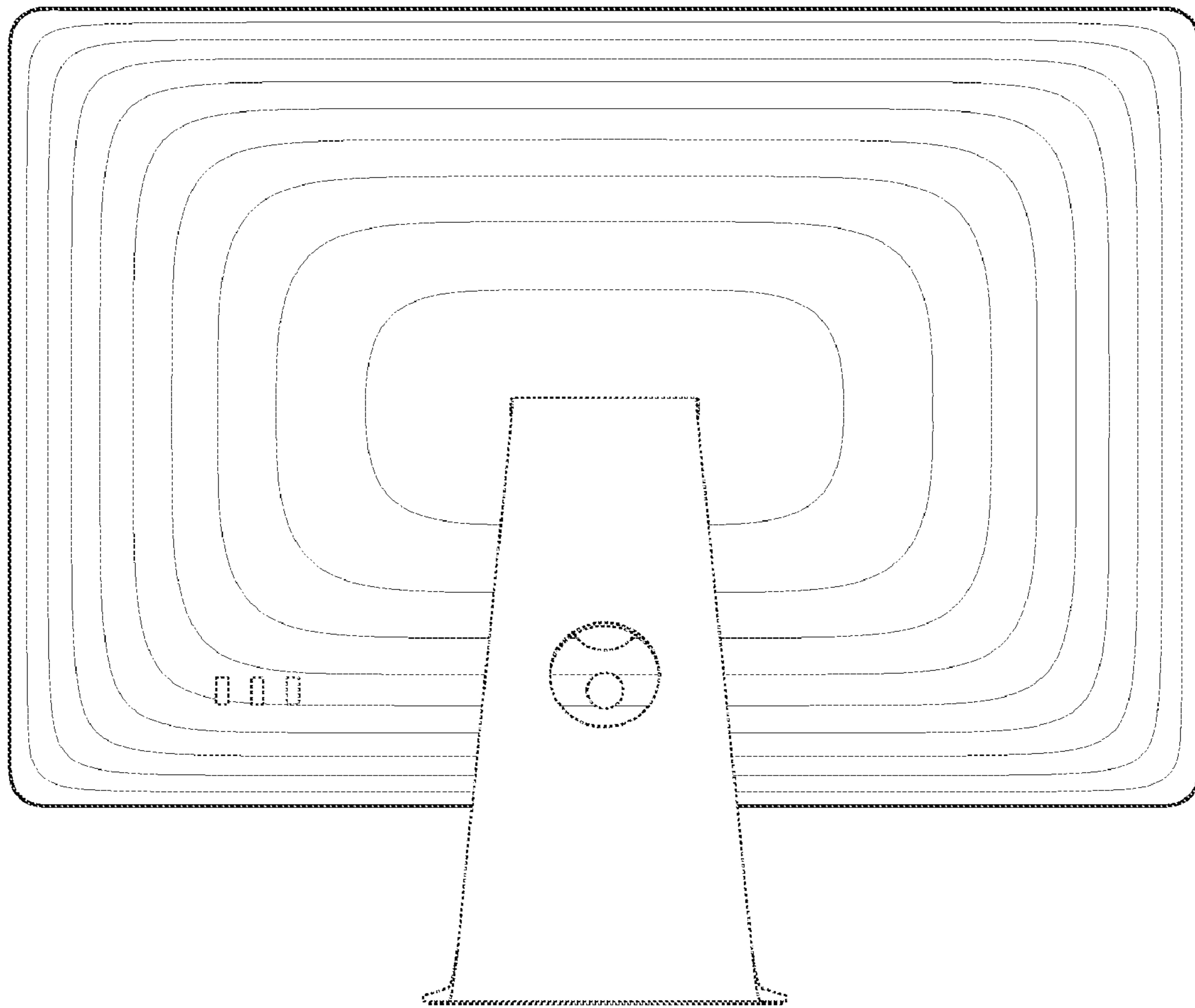
\* cited by examiner



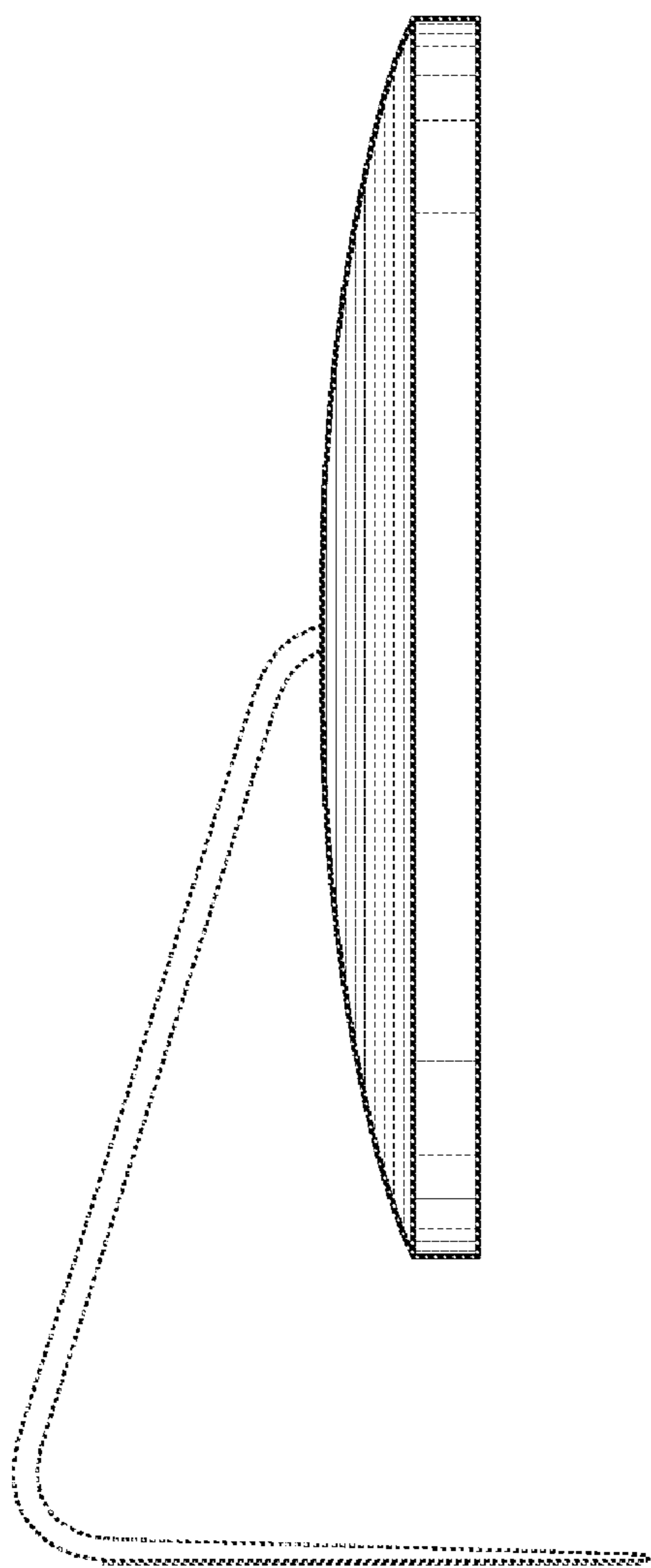
**Fig. 1**



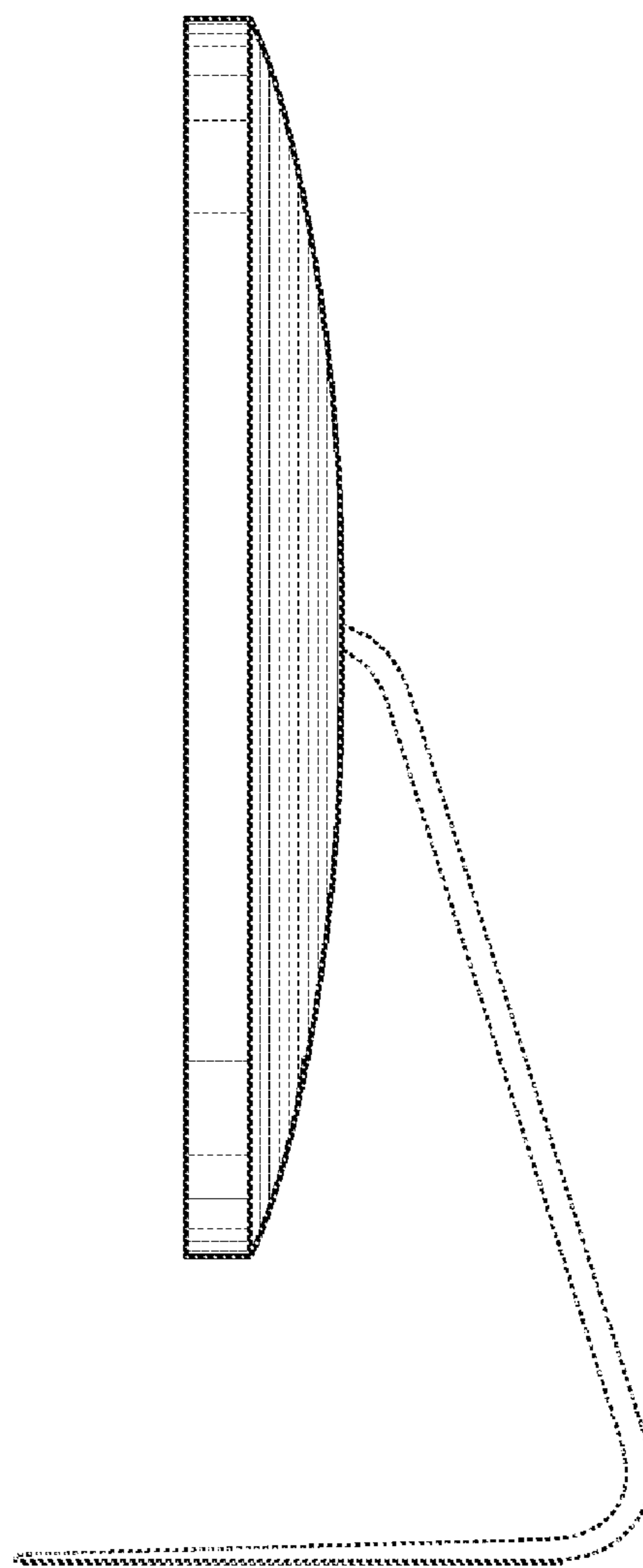
***Fig. 2***



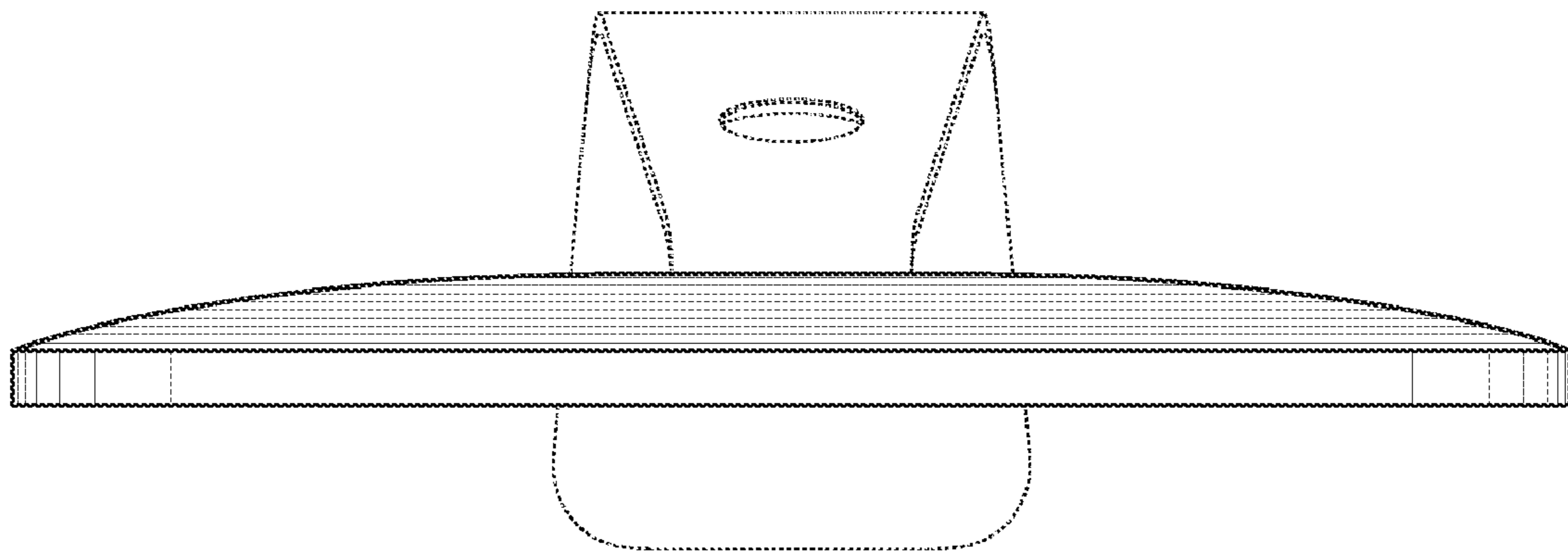
**Fig. 3**



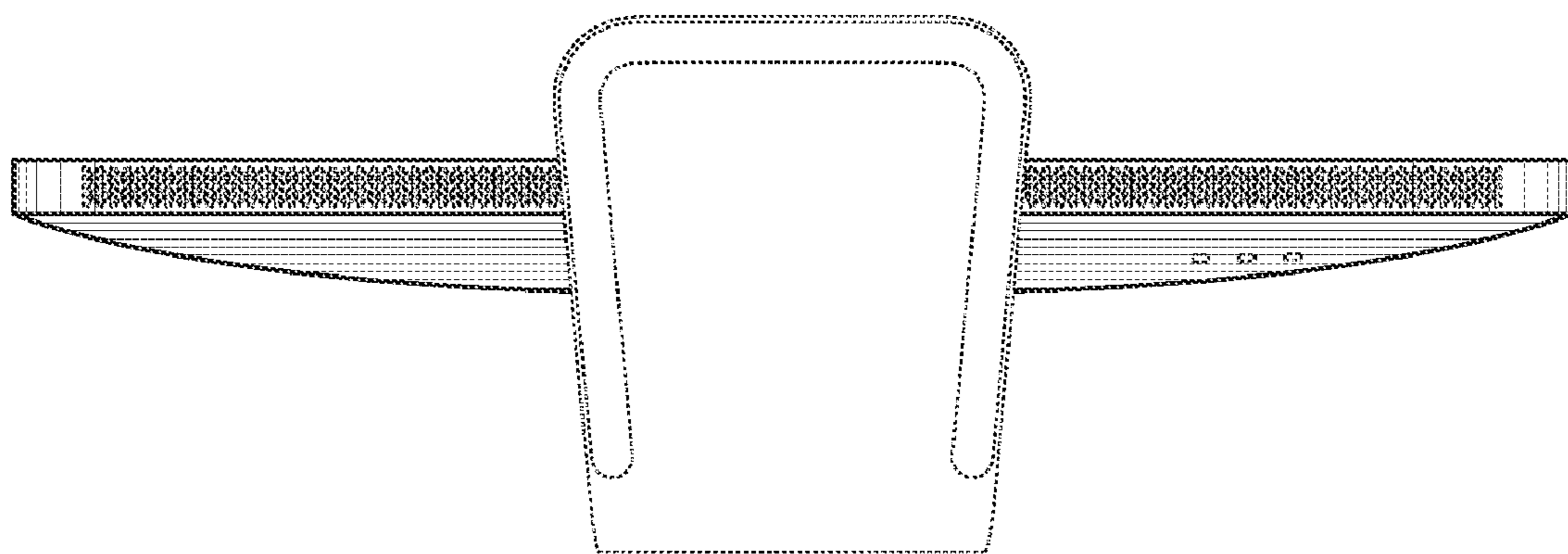
***Fig. 4***



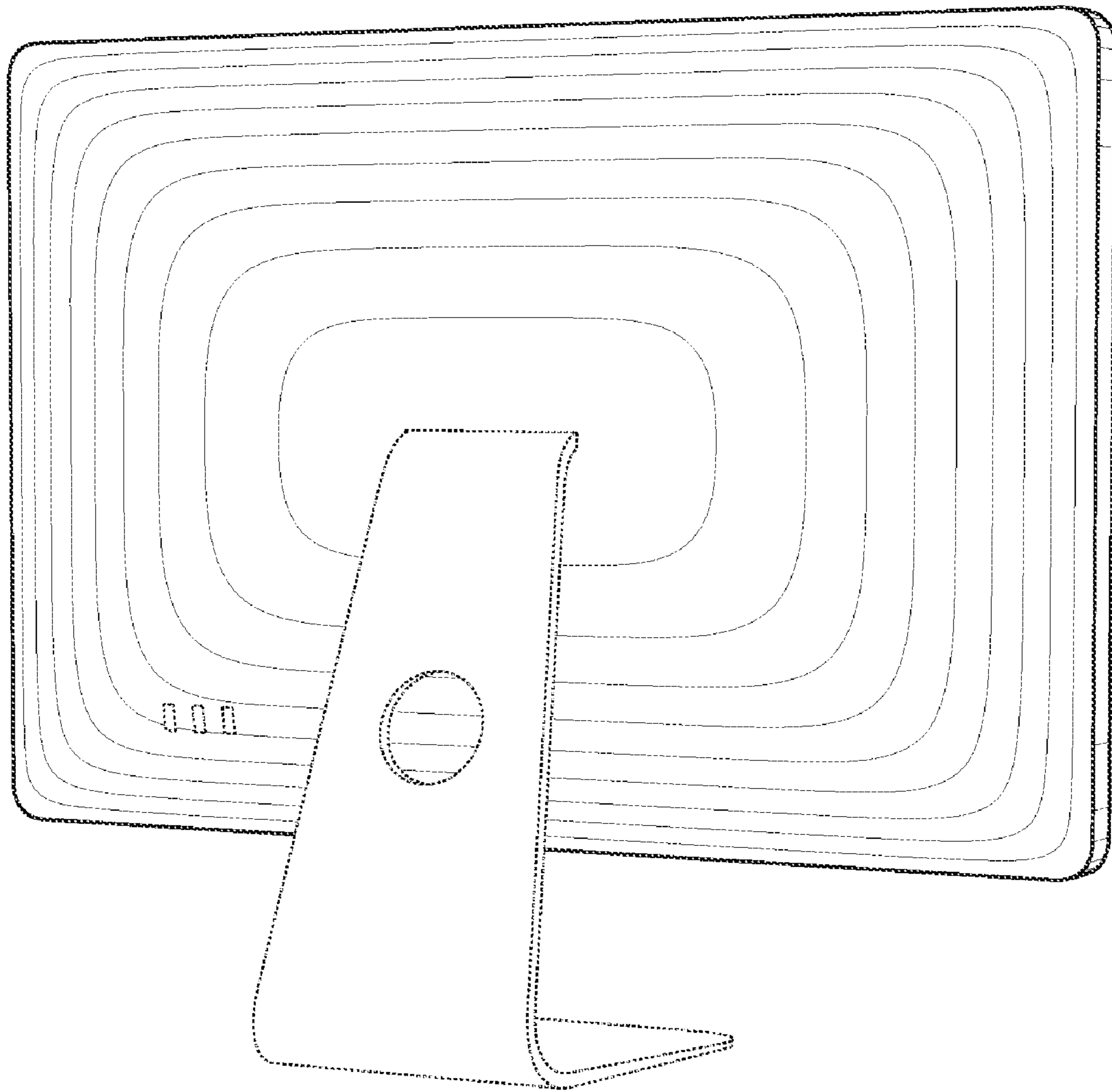
***Fig. 5***



*Fig. 6*



*Fig. 7*



**Fig. 8**