



US00D609704S

(12) **United States Design Patent**
Sin et al.

(10) **Patent No.:** **US D609,704 S**
(45) **Date of Patent:** **** Feb. 9, 2010**

(54) **HARD DISK DRIVE**

(75) Inventors: **Ri-Na Sin**, Seoul (KR); **Tae-Ho Kim**,
Kyunggi-do (KR); **Hyung-Ho**
Hwangbo, Seoul (KR); **Jae-Hwa Moon**,
Seoul (KR); **Ji-Hyun Moon**, Kyunggi-do
(KR)

(73) Assignee: **Samsung Electronics Co., Ltd.**, Suwon,
Kyunggi-do (KR)

(**) Term: **14 Years**

(21) Appl. No.: **29/315,364**

(22) Filed: **Jun. 18, 2009**

(30) **Foreign Application Priority Data**

Apr. 23, 2009 (KR) 30-2009-0017567

(51) **LOC (9) Cl.** **14-02**

(52) **U.S. Cl.** **D14/363; D14/349**

(58) **Field of Classification Search** D14/308,
D14/313, 349-361, 388; D13/162, 184,
D13/199; 312/223.1-223.3; 360/99.01-99.12;
361/680-686, 690-696, 816, 679.6; 369/34.01,
369/36.01; 358/496

See application file for complete search history.

(56) **References Cited**

U.S. PATENT DOCUMENTS

D418,490 S * 1/2000 Jobs et al. D14/351
D462,073 S 8/2002 Yoon

6,480,398 B1 * 11/2002 Fiora et al. 361/816
6,549,397 B1 * 4/2003 Diaz et al. 361/679.6
D485,268 S * 1/2004 Andre et al. D14/349
D487,743 S * 3/2004 Kim D14/349
D520,994 S * 5/2006 Weiher et al. D14/356
2003/0122457 A1 * 7/2003 Diaz et al. 312/223.2

OTHER PUBLICATIONS

U.S. Serial No. 29/315 363, Applicant: Ri-Na Sin, et al., filed Jun. 18,
2009 entitled Hard Disk Drive.

* cited by examiner

Primary Examiner—Freda S Nunn

(74) *Attorney, Agent, or Firm*—Flynn, Thiel, Boutell & Tanis,
P.C.

(57) **CLAIM**

The ornamental design for a hard disk drive, as shown and
described.

DESCRIPTION

FIG. 1 is a top front perspective view of a hard disk drive
showing our new design;

FIG. 2 is a front elevational view thereof;

FIG. 3 is a rear elevational view thereof;

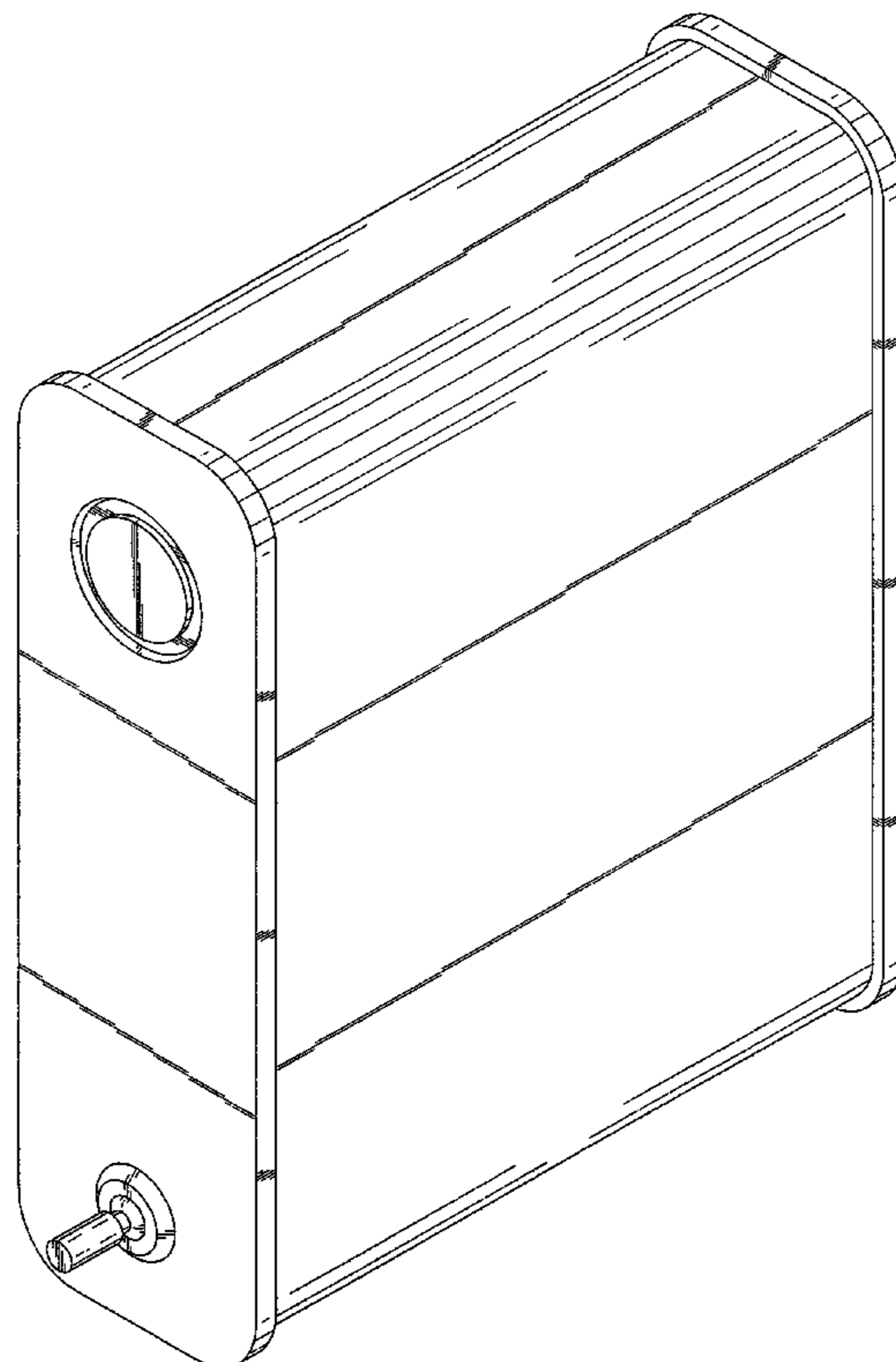
FIG. 4 is a left side elevational view thereof;

FIG. 5 is a right side elevational view thereof;

FIG. 6 is a top plan view thereof; and,

FIG. 7 is a bottom plan view thereof.

1 Claim, 5 Drawing Sheets



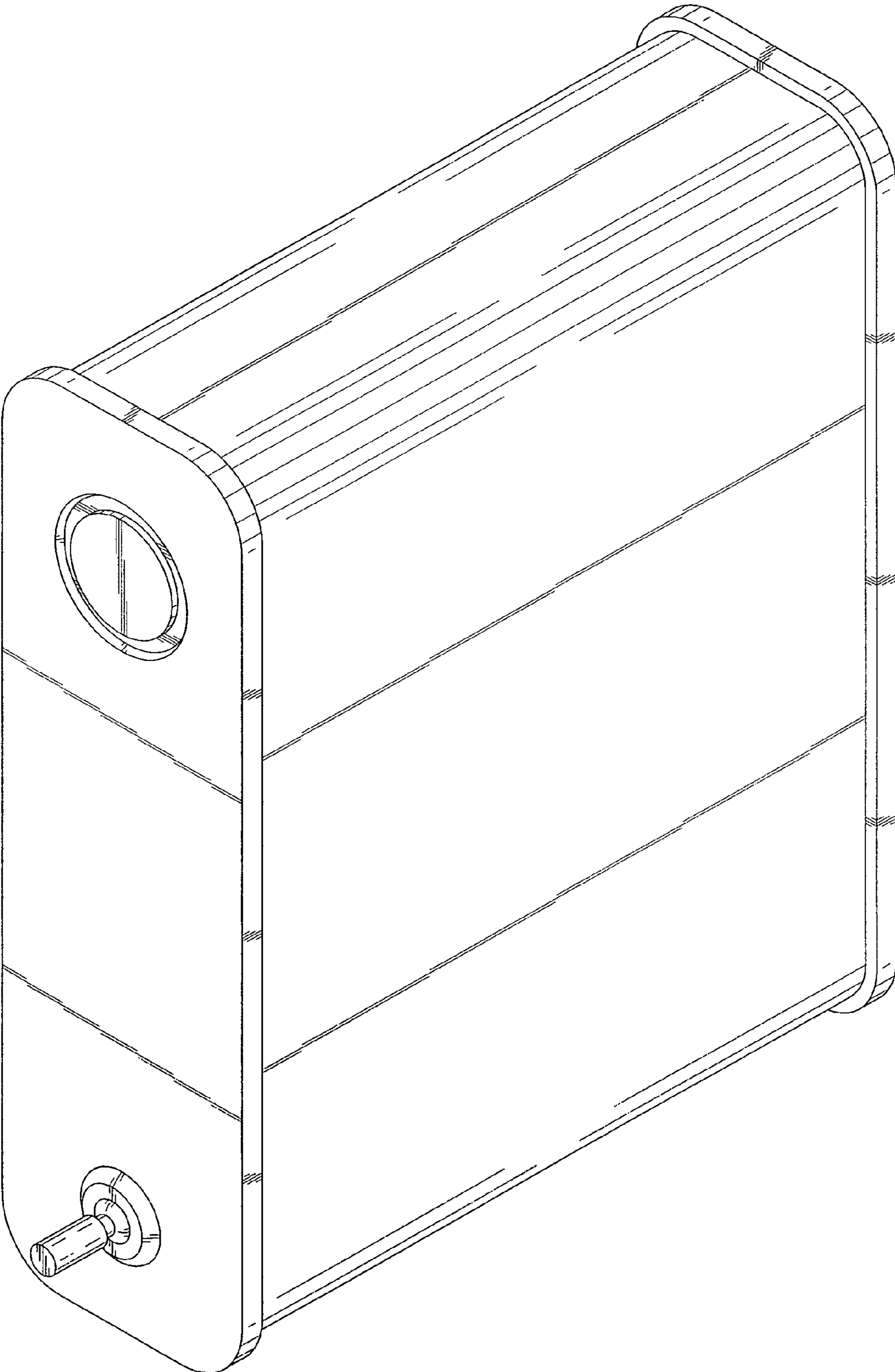


FIG. 1

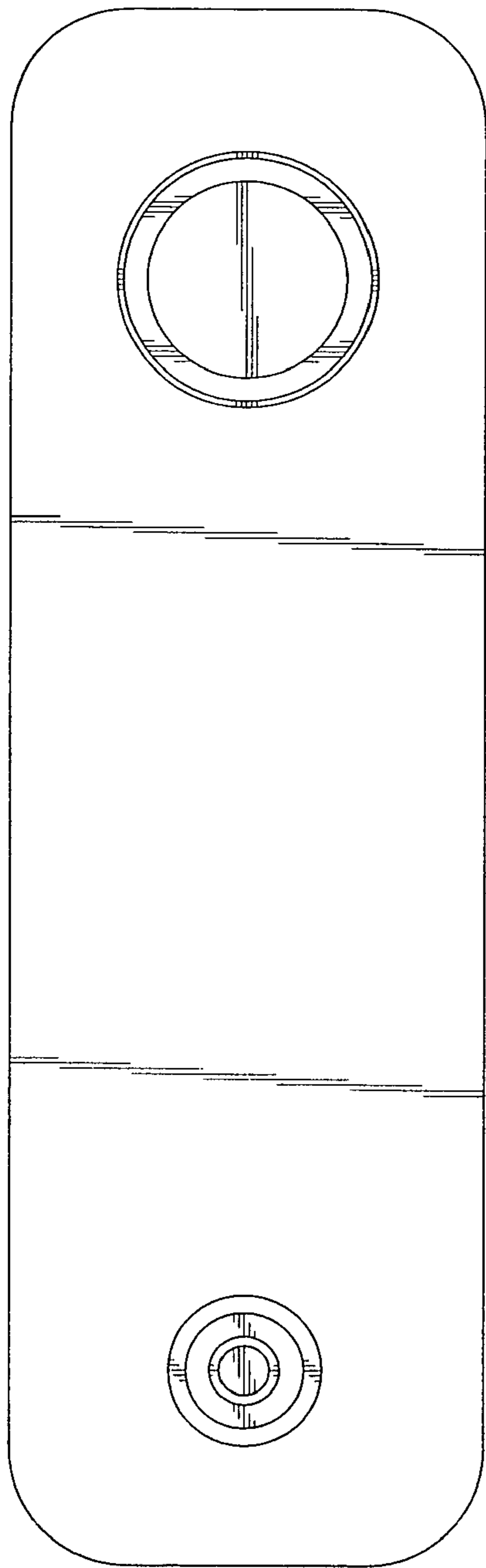


FIG. 2

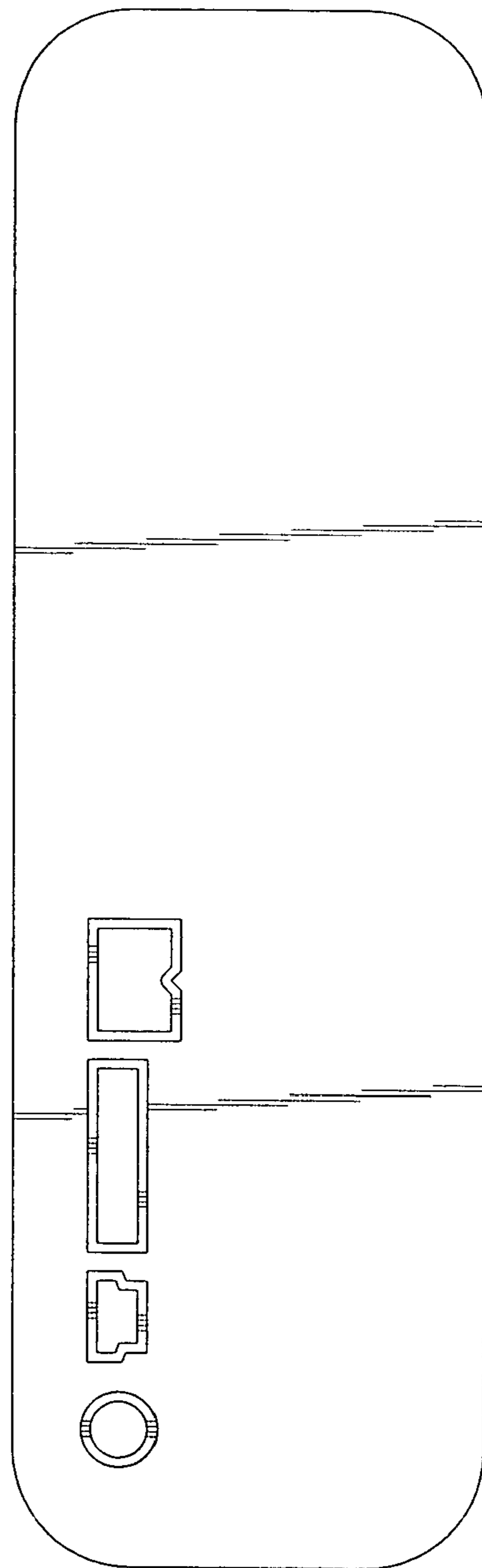


FIG. 3

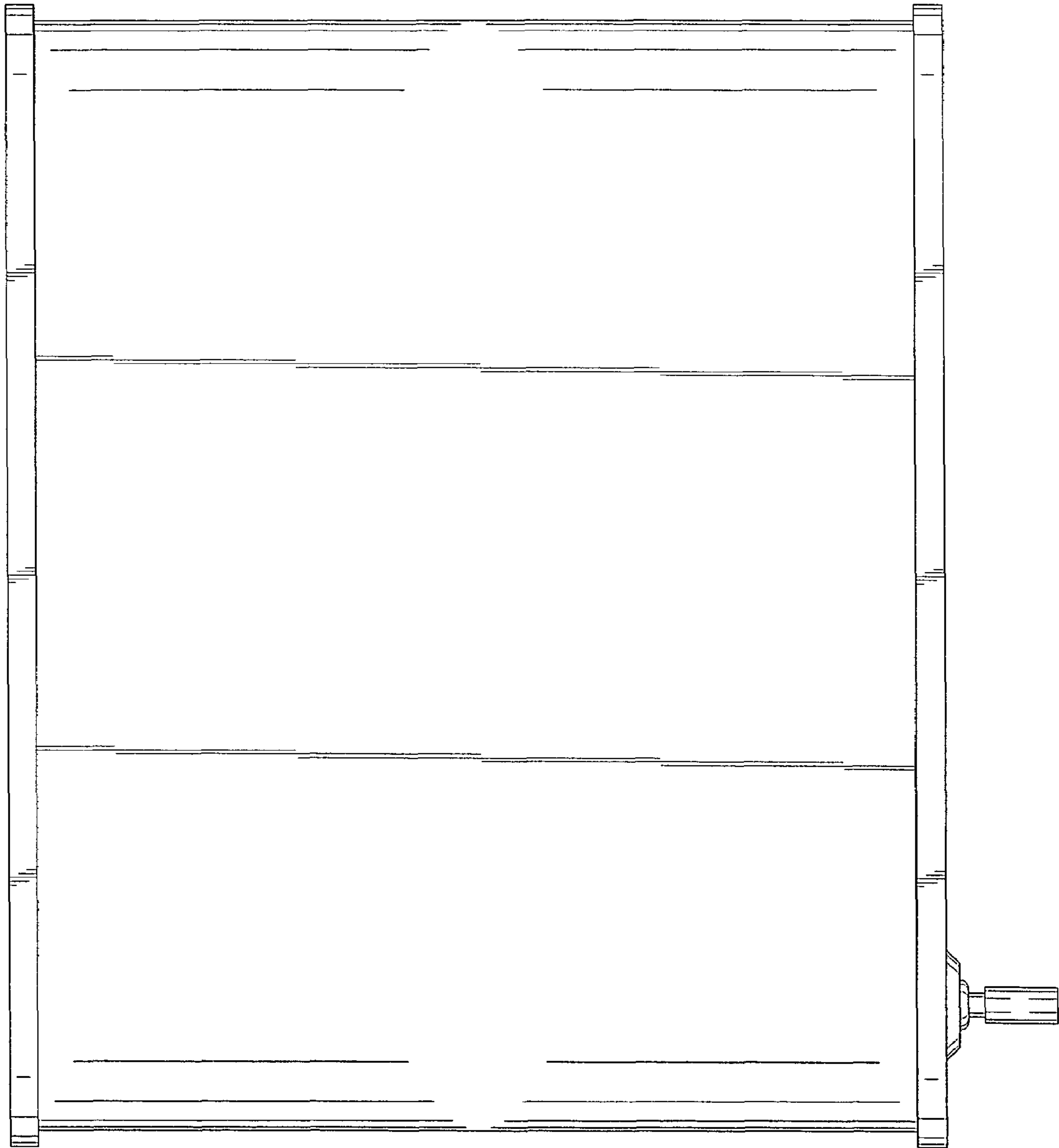


FIG. 4

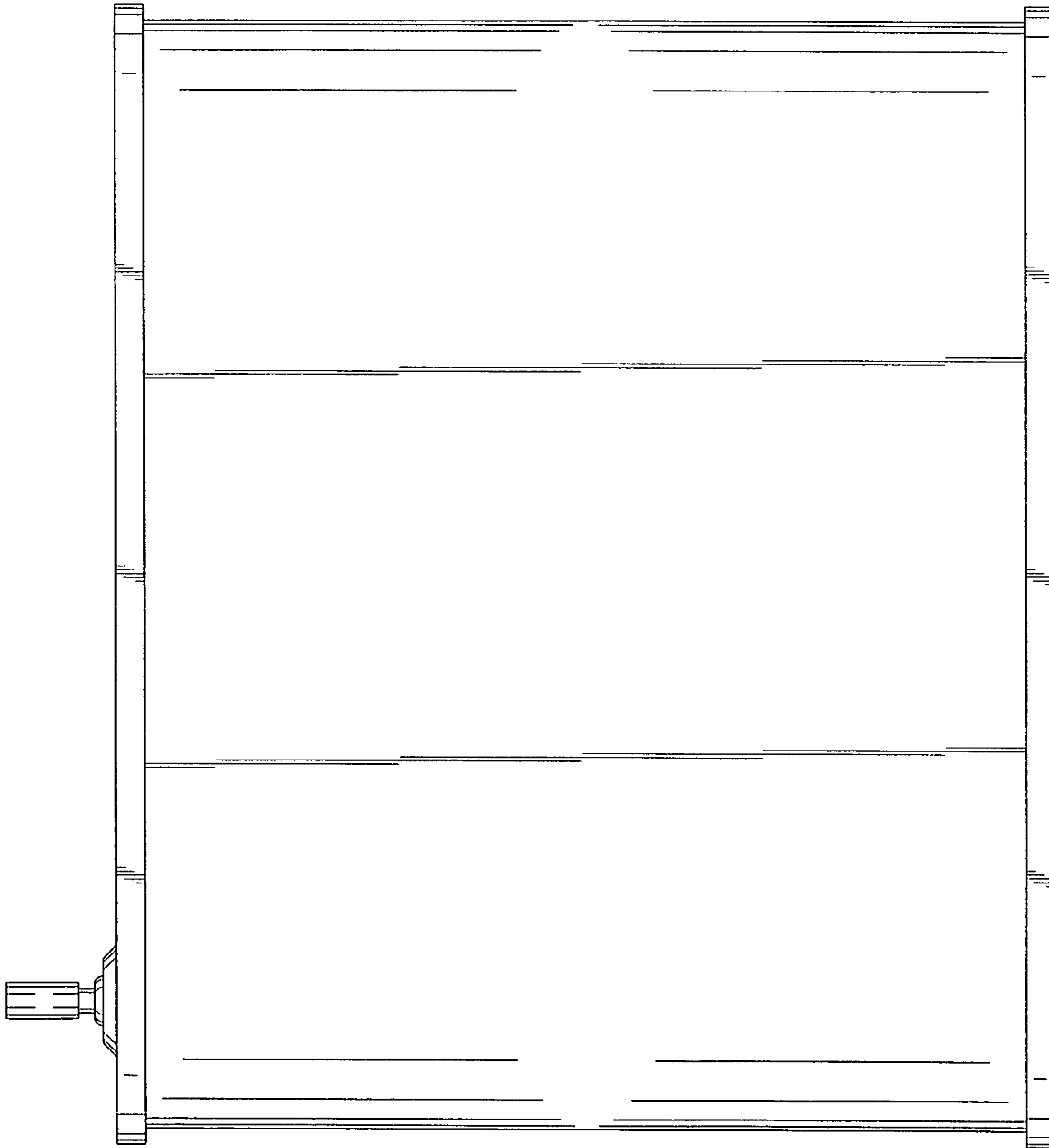


FIG. 5

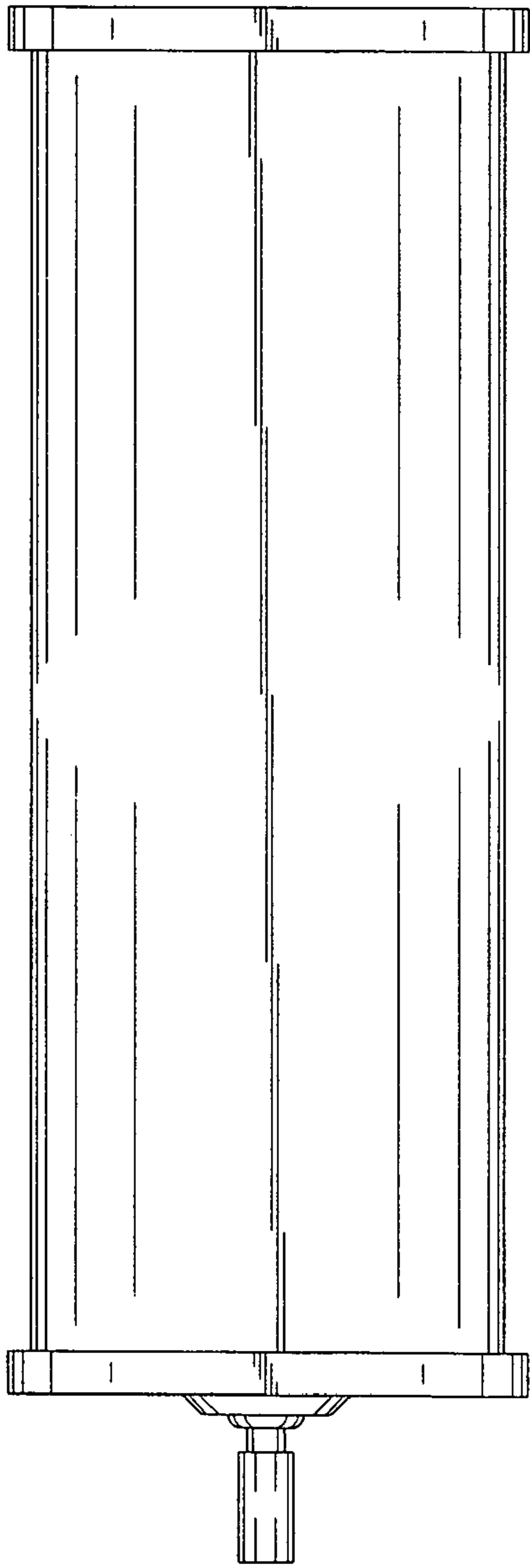


FIG. 6

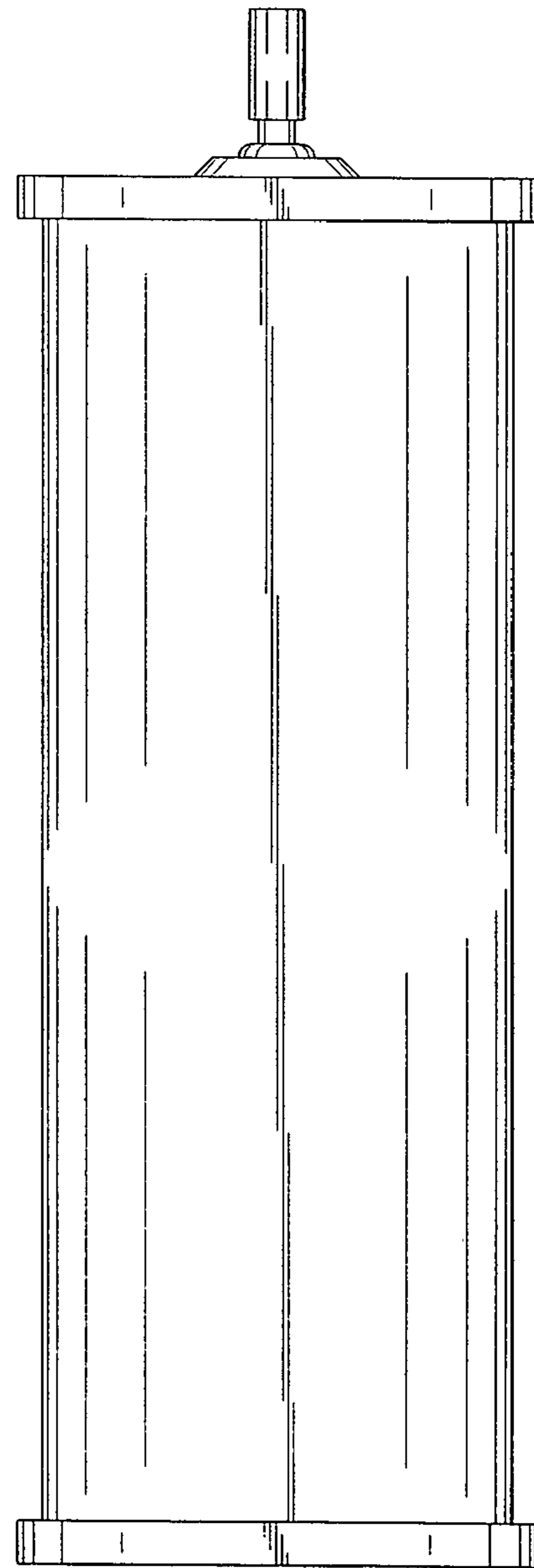


FIG. 7