



US00D609703S

(12) **United States Design Patent**
Negroponete et al.

(10) **Patent No.:** **US D609,703 S**
(45) **Date of Patent:** **** Feb. 9, 2010**

(54) **LAPTOP COMPUTER**

(76) Inventors: **Nicholas Negroponete**, Scala, Patmos, 85500 (GR); **Yves Behar**, 5741 Scarborough Dr., Oakland, CA (US) 94611; **Walter Bender**, 22 Central Close, Auburndale, MA (US) 02466; **Michail Bletsas**, 8 Morrill Cir., Wellesley, MA (US) 02482; **Jacques Gagne**, 101 Shire Ct., Los Gatos, CA (US) 95032; **Mary Lou Jepsen**, 7 Gallops Hill Rd., Hull, MA (US) 02045; **Bret Recor**, 528 Folsom St., San Francisco, CA (US) 94105; **Martin Schnitzer**, 528 Folsom St., San Francisco, CA (US) 94105; **Kenneth Jewell**, 1220 Washington St., West Newton, MA (US) 02465; **Mark Foster**, 4157 Interdale Way, Palo Alto, CA (US) 94306; **Rebecca Allen**, 3264 Ellenda Ave., Los Angeles, CA (US) 90034

D480,394 S * 10/2003 Skinner et al. D14/318
D482,687 S * 11/2003 Chu D14/316
D487,891 S * 3/2004 Yang et al. D14/316
6,768,635 B2 * 7/2004 Lai et al. 361/679.11
D499,725 S * 12/2004 Lee D14/316
D521,992 S * 5/2006 Morooka et al. D14/316

* cited by examiner

Primary Examiner—Freda S Nunn

(74) *Attorney, Agent, or Firm*—William L. Botjer

(57) **CLAIM**

The ornamental design for a laptop computer, as shown and described.

DESCRIPTION

FIG. 1 is a top, front, left side perspective view of the laptop computer with display screen in open position, such that the display screen is swiveled through 90 degrees in an upward direction and is rotated around 70 degrees in clockwise direction as viewed from top. Further, side-swivel covers are in open position, such that the left side side-swivel cover is swiveled by little less than 180 degrees in clockwise direction and the right side side-swivel cover is swiveled by little more than 180 degrees

FIG. 2 is a top plan view of the laptop computer shown in FIG. 1 with display screen and side-swivel covers in closed position.

FIG. 3 is a bottom plan view of the laptop computer shown in FIG. 1 with display screen and side-swivel covers in closed position.

FIG. 4 is a front elevation view of the laptop computer shown in FIG. 1 with display screen and side-swivel covers in closed position.

FIG. 5 is a rear elevation view of the laptop with display screen and side-swivel covers in closed position.

FIG. 6 is a right side elevation view of the laptop computer shown in FIG. 1 with display screen and side-swivel covers in closed position.

(**) Term: **14 Years**

(21) Appl. No.: **29/281,849**

(22) Filed: **Jul. 3, 2007**

(51) **LOC (9) Cl.** **14-02**

(52) **U.S. Cl.** **D14/316**

(58) **Field of Classification Search** D14/391–399,
D14/315–318, 320, 341–345, 331, 130;
D18/1, 2, 7, 11; 178/17 A, 17 C; 345/102,
345/104, 156, 163, 168; 341/22, 23; 361/680–686,
361/679.11; 400/486, 489

See application file for complete search history.

(56) **References Cited**

U.S. PATENT DOCUMENTS

D307,004 S * 4/1990 Azima D14/337
D336,077 S * 6/1993 Barry et al. D14/316
5,457,480 A * 10/1995 White 345/163
D425,053 S * 5/2000 Clark et al. D14/130
D462,956 S * 9/2002 Ogasawara D14/317

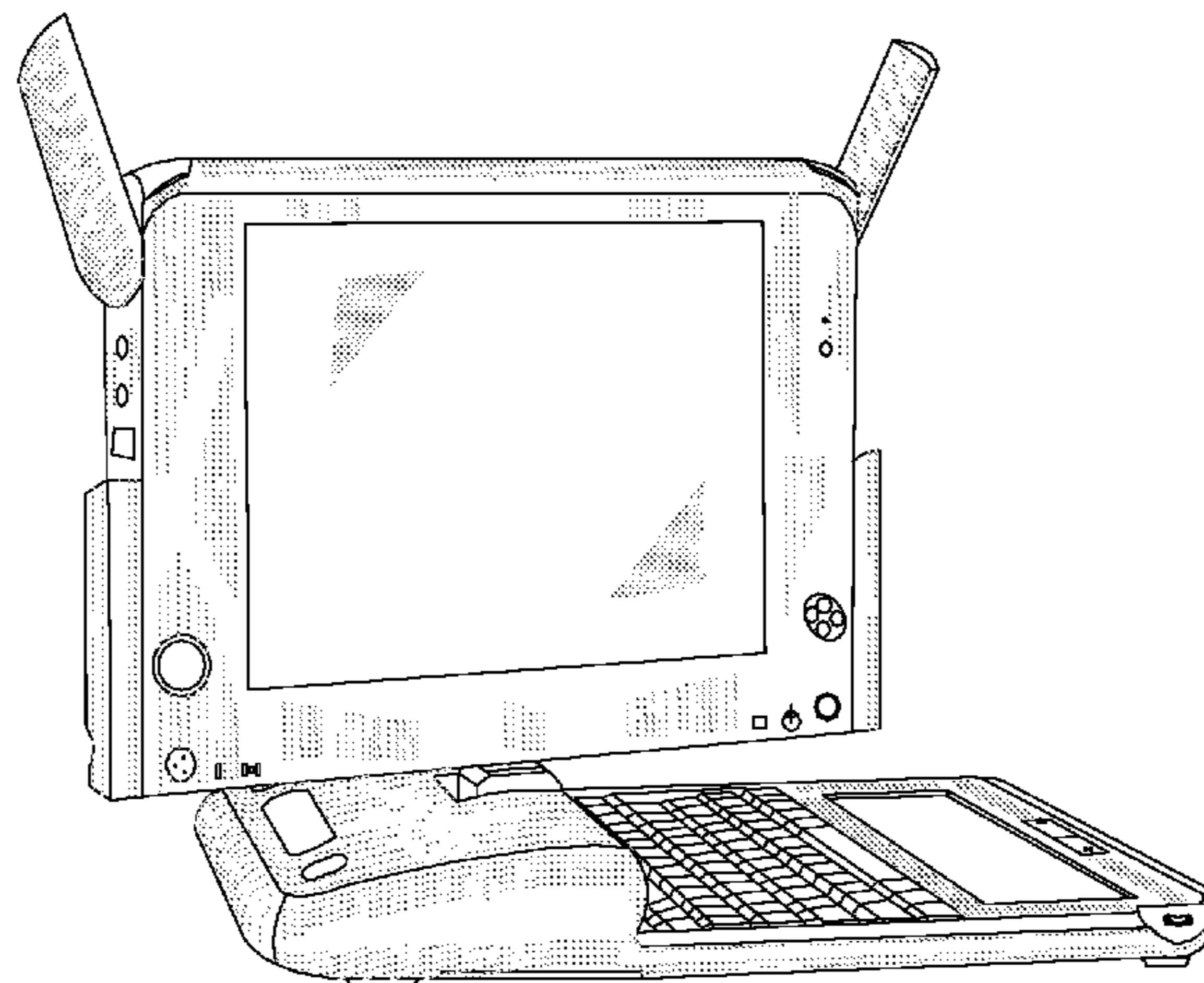


FIG. 7 is a left side elevation view of the laptop computer shown in FIG. 1 with display screen and side-swivel covers in closed position.

FIG. 8 is a top plan view of the laptop computer shown in FIG. 1 with display screen in open position and side-swivel covers in closed position, such that the display screen is swiveled through 90 degrees in an upward direction.

FIG. 9 is a front elevation view of the laptop computer shown in FIG. 1 with display screen in open position and side-swivel covers in closed position, such that the display screen is swiveled through 90 degrees in an upward direction.

FIG. 10 is a left side elevation view of the laptop computer shown in FIG. 1 with display screen in open position, such that the display screen is swiveled through 90 degrees in an upward direction. Further, the left side side-swivel cover is in open position, such that the left side side-swivel cover is swiveled at 270 degrees in clockwise direction.

FIG. 11 is an exploded perspective view of the computer shown in FIG. 1; and,

FIG. 12 is a top view of the computer shown in FIG. 1 with display screen in open position, such that the display screen is swiveled by 180 degrees. Further, the side-swivel covers are in open position, such that the left side side-swivel cover is swiveled by little more than 180 degrees in clockwise direction and the right side side-swivel cover is swiveled by little less than 180 degrees.

The upper body can swivel around a longitudinal axis of the hinge structure in an upward or downward direction; further the upper body can rotate around its axial axis in a clockwise or anticlockwise direction, the axial axis being perpendicular to the longitudinal axis of the hinge structure. The two side-swivel covers are attached to the upper body such that the two side-swivel covers can swivel around the longitudinal axis of the upper body in a clockwise or anticlockwise direction.

Broken lines shown in the drawings illustrate portions of the laptop computer and form no part of the claimed design.

1 Claim, 12 Drawing Sheets

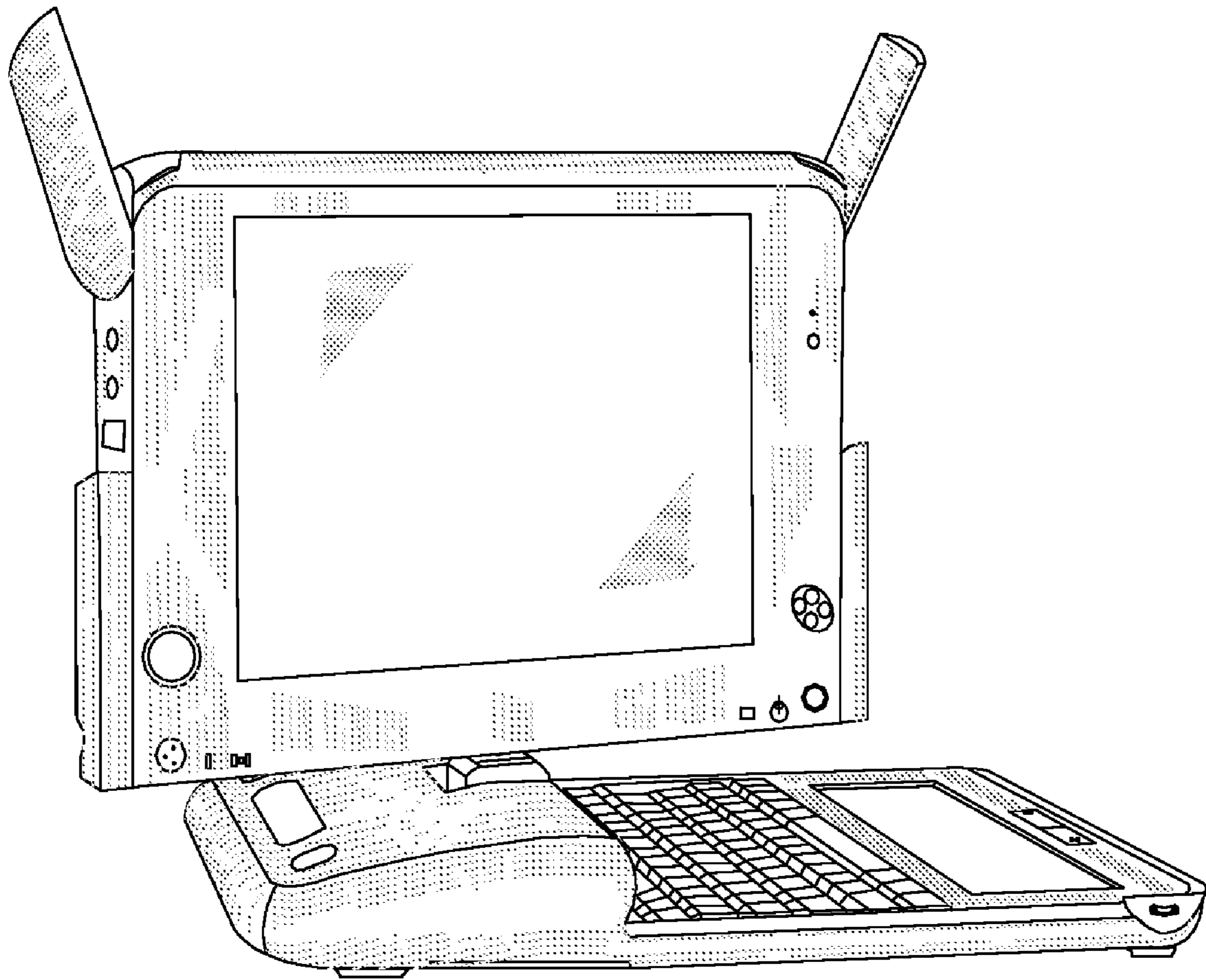


FIG. 1

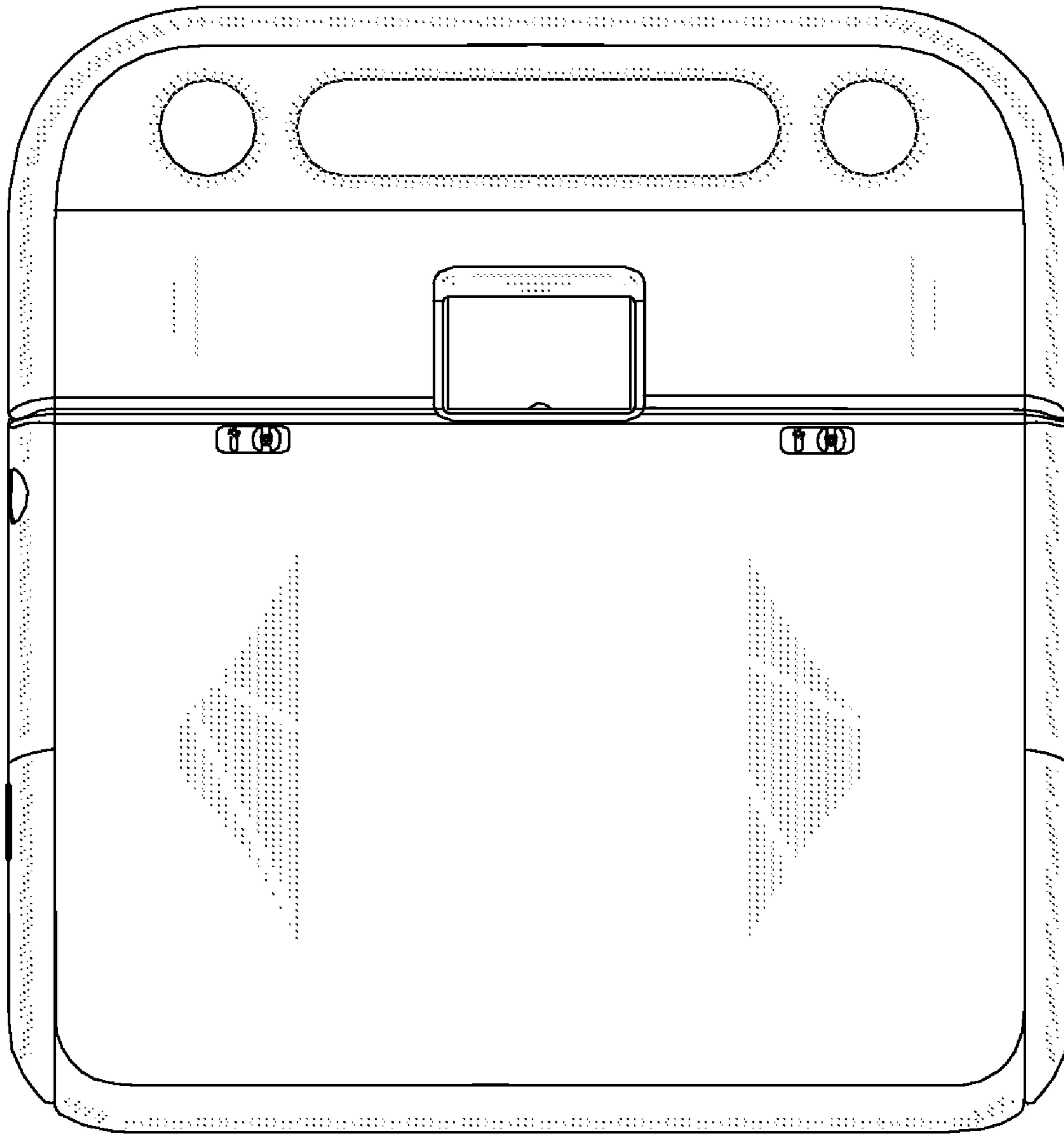


FIG. 2

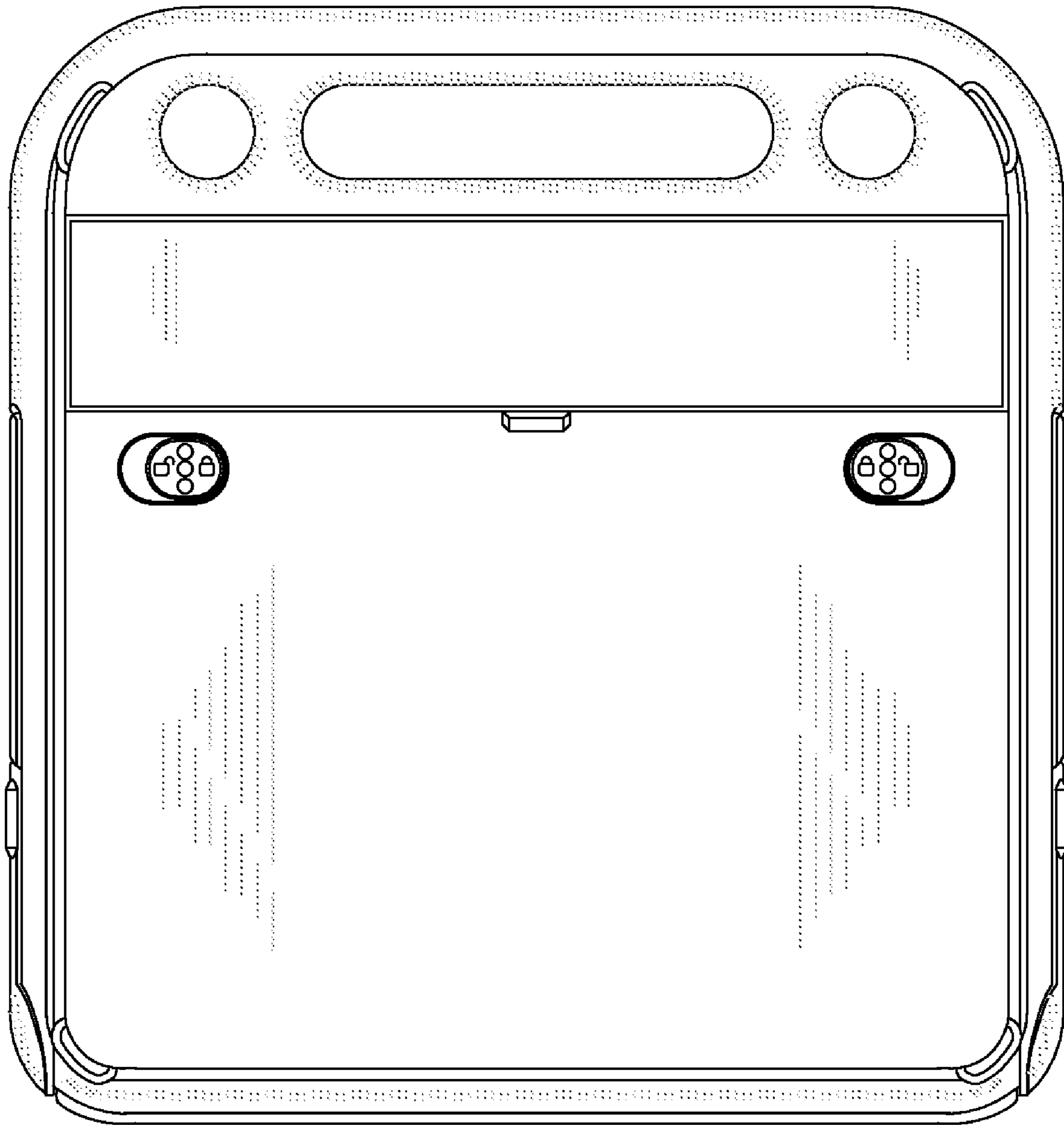


FIG. 3

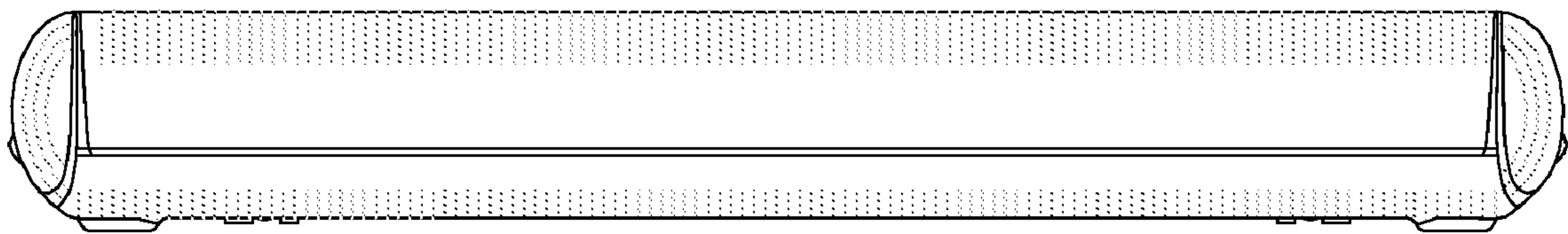


FIG. 4

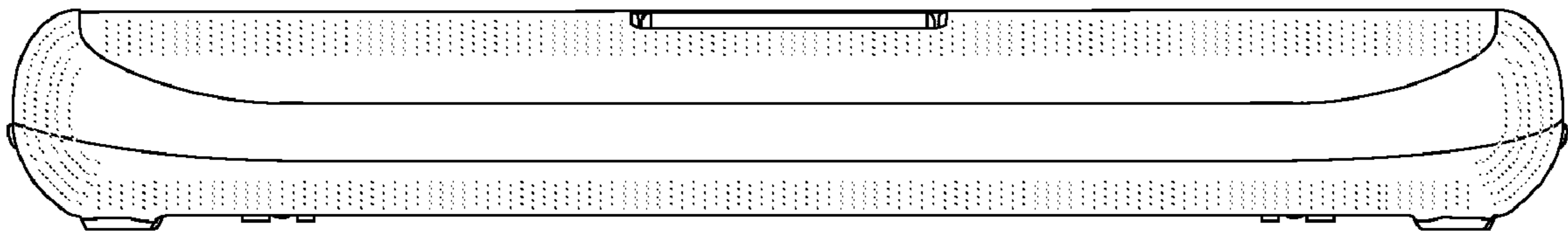


FIG. 5

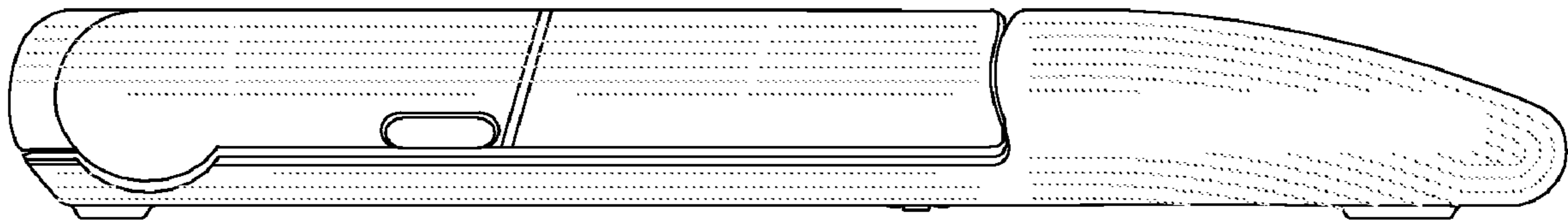


FIG. 6

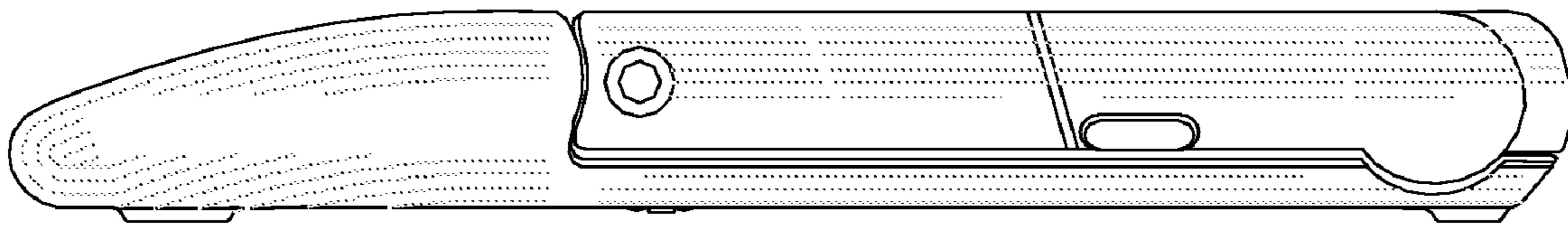


FIG. 7

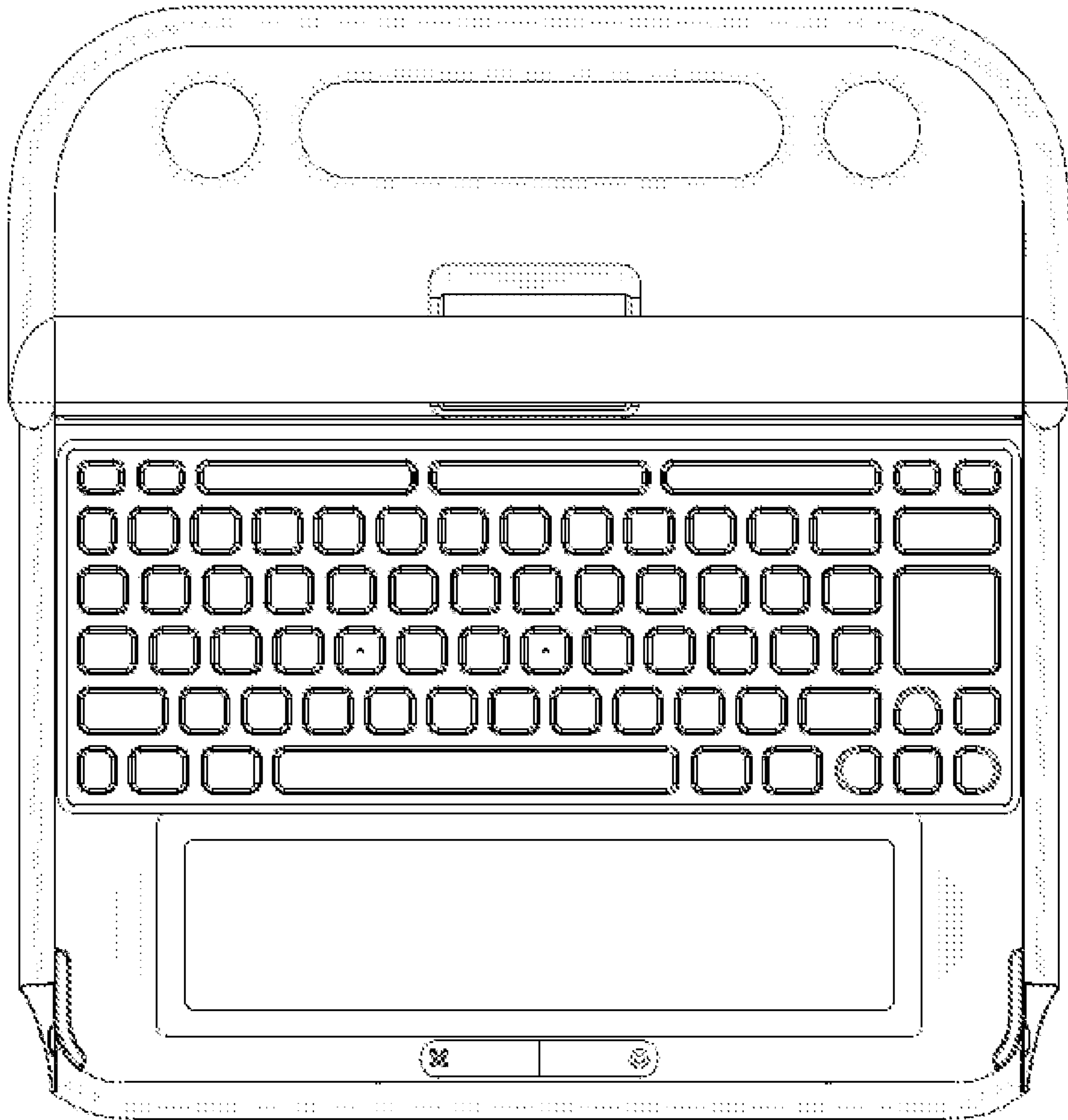


FIG. 8

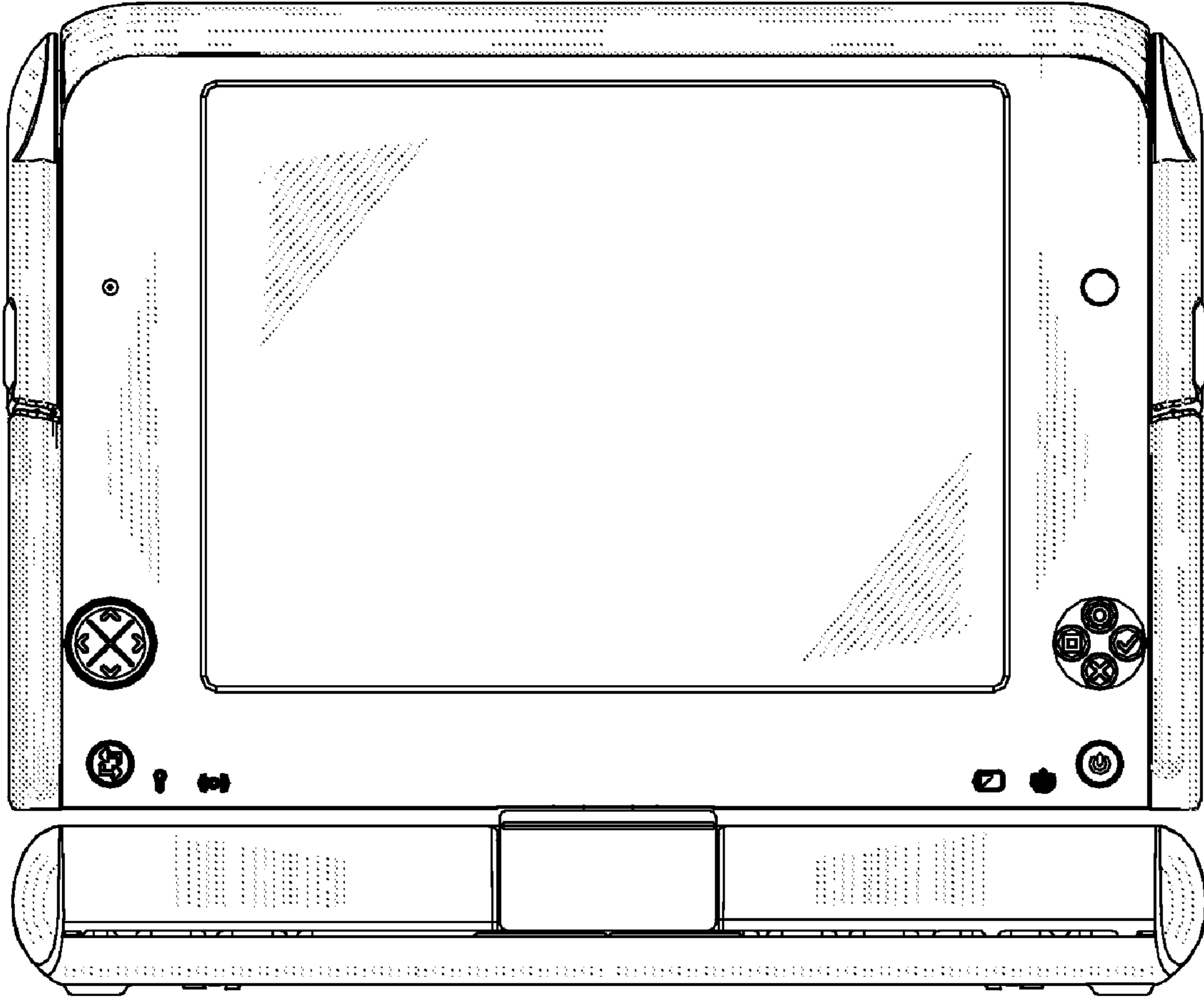


FIG. 9

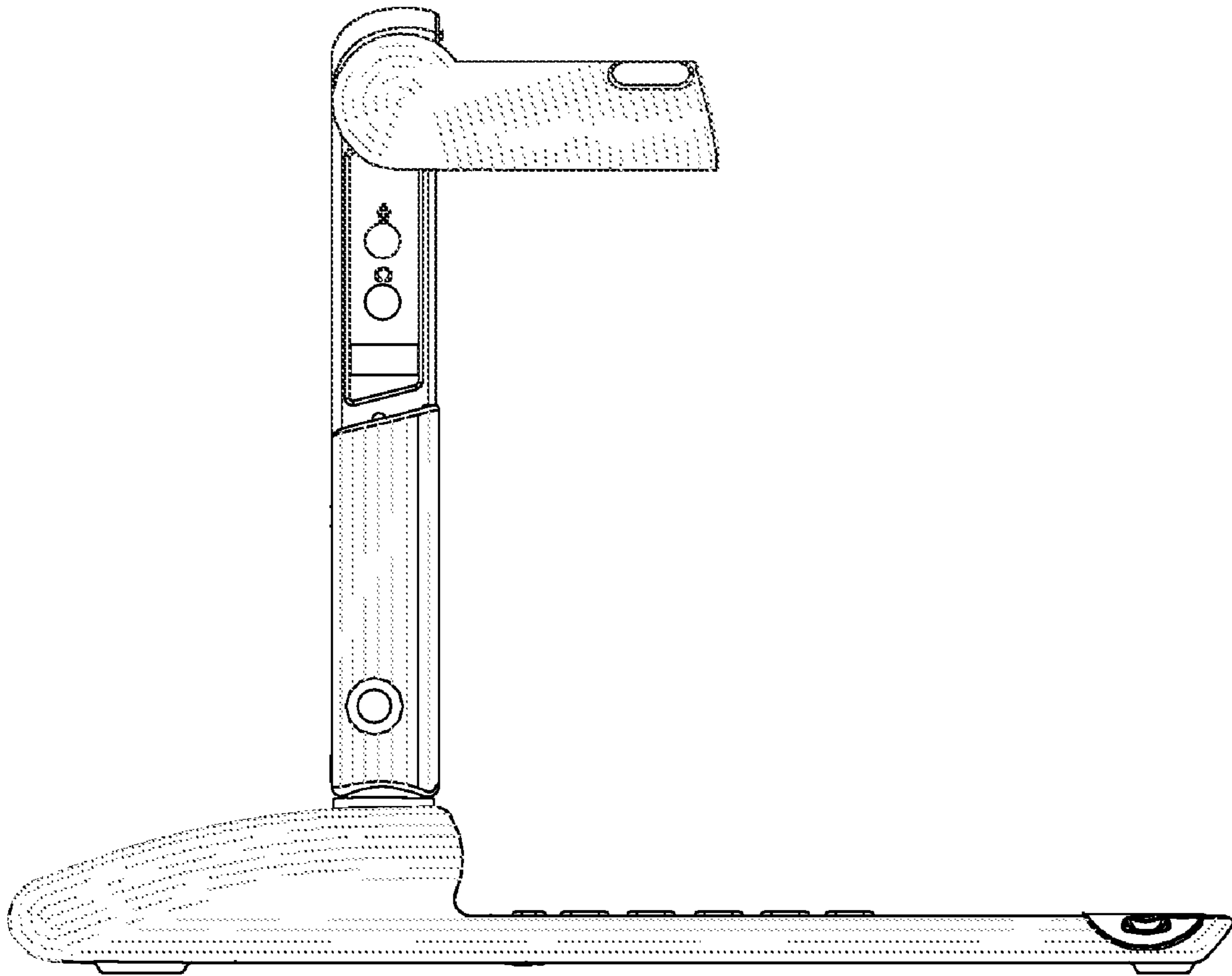


FIG. 10

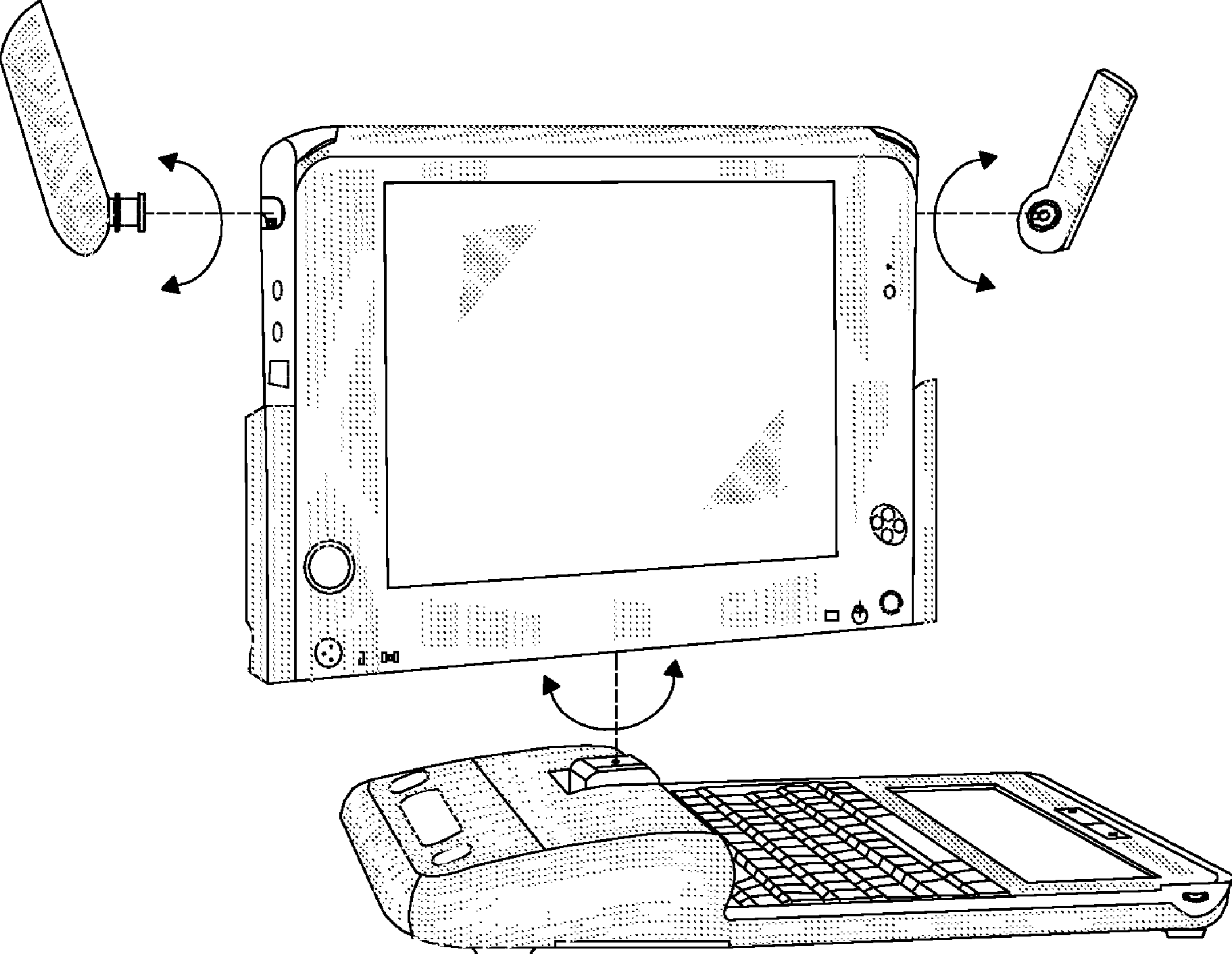


FIG. 11

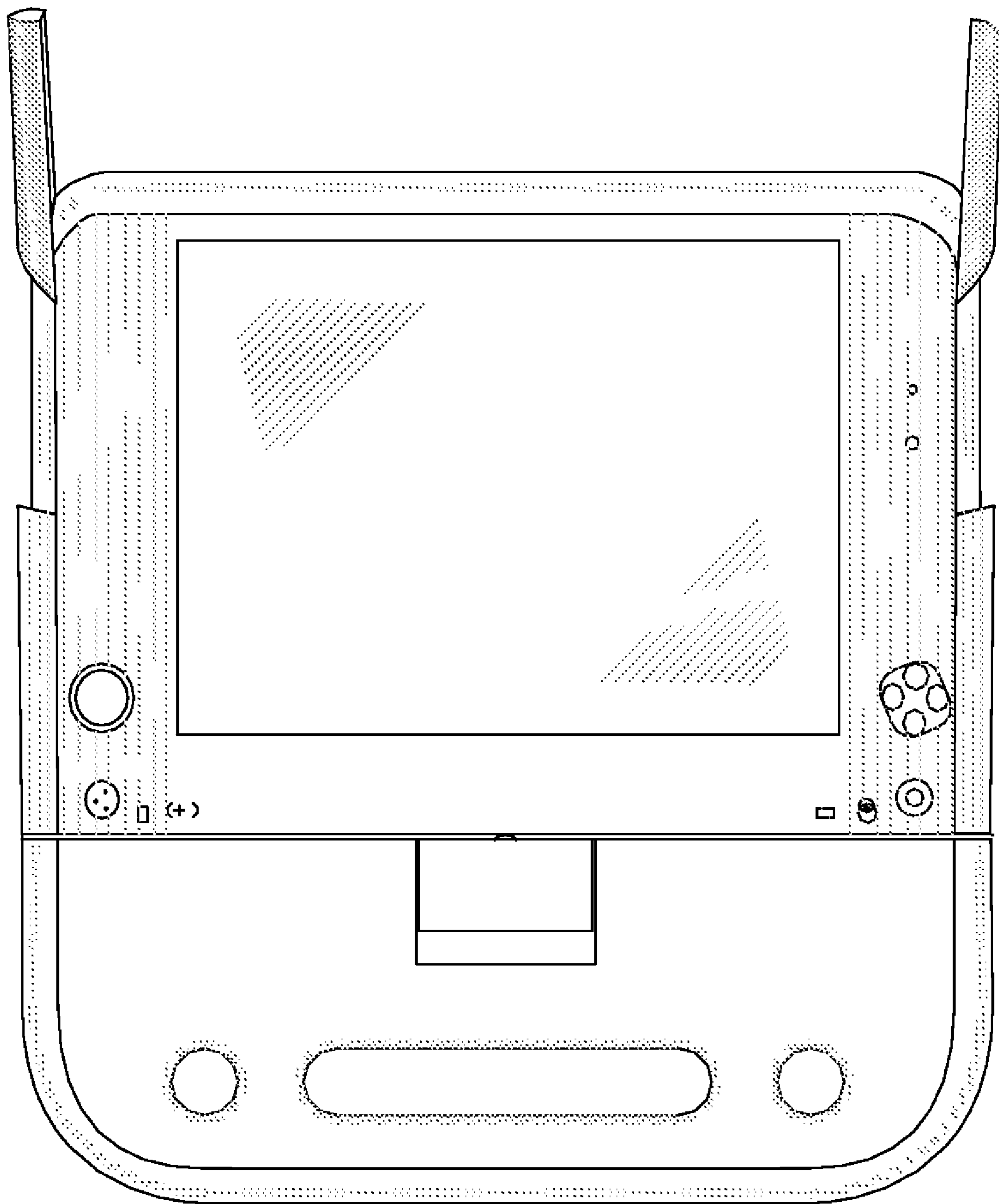


FIG. 12