



US00D609702S

(12) **United States Design Patent**
He

(10) **Patent No.:** **US D609,702 S**
(45) **Date of Patent:** **** Feb. 9, 2010**

(54) **SET OF KEYS FOR A HANDSET**

FOREIGN PATENT DOCUMENTS

(75) Inventor: **Wei-Jones He**, Beijing (CN)

WO DM/068503 * 1/2007

(73) Assignee: **Nokia Corporation**, Espoo (FI)

(Continued)

(**) Term: **14 Years**

OTHER PUBLICATIONS

(21) Appl. No.: **29/320,585**

BenQ-Siemens E52, announced Jun. 2007, [online], [retrieved on Jan. 9, 2009]. Retrieved from Internet ,<URL: http://www.gsmarena.com>.*

(22) Filed: **Jun. 30, 2008**

(Continued)

(51) **LOC (9) Cl.** **14-03**

(52) **U.S. Cl.** **D14/247**

(58) **Field of Classification Search** D14/137,
D14/138 R, 138 AA, 138 AB, 138 AC, 138 AD,
D14/138 C, 138 G, 147, 191, 203.1–203.8,
D14/218, 247–248, 341–347, 432, 439, 455–456,
D14/496; D10/65, 78, 104; D13/168; D18/7;
455/556.1, 566, 575.1, 575.3; 345/169

Primary Examiner—Jeffrey D Asch

Assistant Examiner—Bridget L Eland

(74) *Attorney, Agent, or Firm*—Banner & Witcoff, Ltd.

See application file for complete search history.

(57) **CLAIM**

The ornamental design for a set of keys for a handset, as shown and described.

(56) **References Cited**

DESCRIPTION

U.S. PATENT DOCUMENTS

The file of this patent contains at least one drawing/photograph executed in color. Copies of this patent with color drawings/photographs will be provided by the Office upon request and payment of the necessary fee.

D515,541 S *	2/2006	Jensfelt	D14/138 AA
D517,039 S *	3/2006	Lee	D14/138 AA
D535,275 S *	1/2007	Kim et al.	D14/138 AD
D539,778 S *	4/2007	Yeh et al.	D14/138 AA
D543,191 S *	5/2007	Kim et al.	D14/138 AA
D546,314 S *	7/2007	Im	D14/138 AA
D551,201 S *	9/2007	Kim et al.	D14/138 AD
D553,594 S *	10/2007	Burns et al.	D14/138 AD
D556,164 S *	11/2007	Dry et al.	D14/138 AB
D560,215 S *	1/2008	Di et al.	D14/247
7,330,741 B2 *	2/2008	Park et al.	455/575.1
D565,042 S *	3/2008	Scales et al.	D14/248
D570,816 S *	6/2008	Lee et al.	D14/138 AD
D571,794 S *	6/2008	Holmung et al.	D14/247
D572,692 S *	7/2008	Kim et al.	D14/138 AA

FIG. 1 is a front view of a first embodiment of a set of keys for a handset showing my new design;

FIG. 2 is a perspective front view thereof;

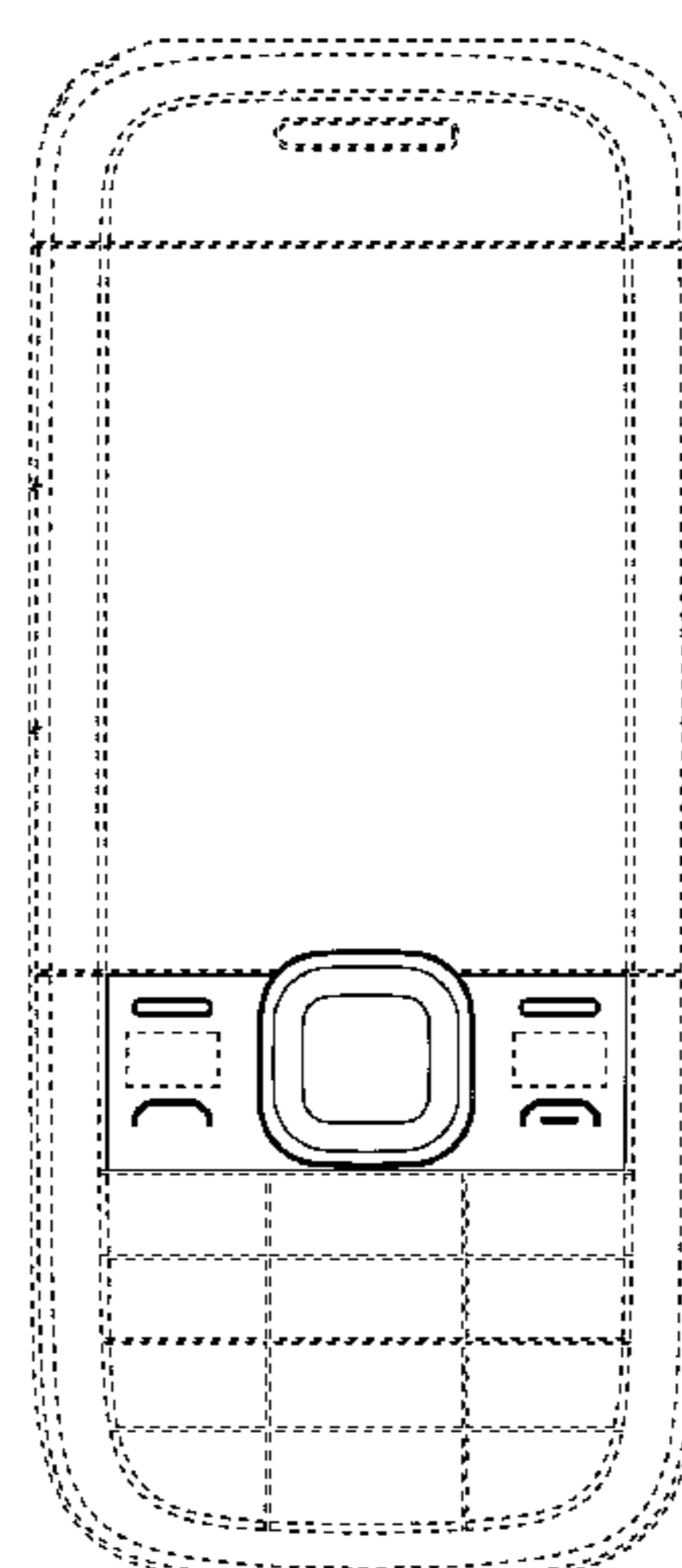
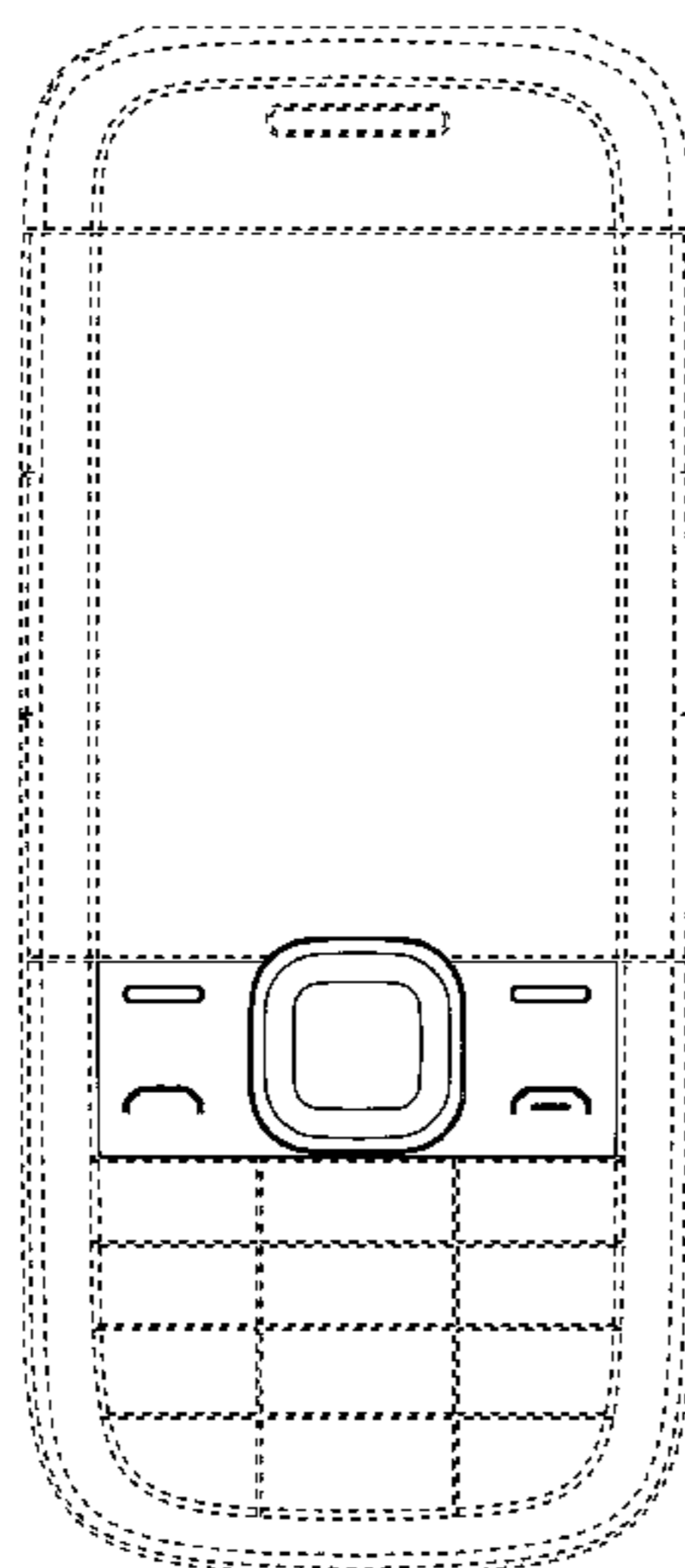
FIG. 3 is a front view of a second embodiment of a set of keys for a handset showing my new design; and,

FIG. 4 is a perspective front view thereof.

The broken line showing the remainder of the handset in the figures is for illustrative purposes only and forms no part of the claimed design. The rectangular broken lines, shown within the claimed area of FIGS. 3 and 4, represent boundaries within the second embodiment.

(Continued)

1 Claim, 4 Drawing Sheets
(4 of 4 Drawing Sheet(s) Filed in Color)



US D609,702 S

Page 2

U.S. PATENT DOCUMENTS

D576,140 S * 9/2008 Park et al. D14/138 AD
D576,990 S * 9/2008 Han et al. D14/138 AA
D577,349 S * 9/2008 Choi et al. D14/138 AD
D578,101 S * 10/2008 Park et al. D14/138 AA
D579,439 S * 10/2008 Chung et al. D14/138 R
D579,897 S * 11/2008 Kim et al. D14/138 R
D579,909 S * 11/2008 Huang et al. D14/138 AA
D584,267 S * 1/2009 Kim et al. D14/138 AB
2007/0296702 A1* 12/2007 Strawn et al. 345/169
2008/0119248 A1* 5/2008 Nissen et al. 455/575.4
2008/0318618 A1* 12/2008 Park 455/550.1

FOREIGN PATENT DOCUMENTS

WO DM/069167 * 7/2007
WO DM/070329 * 5/2008

OTHER PUBLICATIONS

Eten G500, announced 1st quarter 2006, [online], [retrieved on Feb. 20, 2007]. Retrieved from Internet ,<URL: <http://www.gsmarena.com>>.*

Bird S663, announced 2007, [online], [retrieved on Jan. 1, 2009]. Retrieved from Internet ,<URL: <http://www.gsmarena.com>>.*

Eten glofish M810, announced Apr. 2008, [online], [retrieved on Apr. 18, 2008]. Retrieved from Internet ,<URL: <http://www.gsmarena.com>>.*

LG KM386, announced May 2008, [online], [retrieved on Sep. 5, 2008]. Retrieved from Internet ,<URL: <http://www.gsmarena.com>>.*

Nokia 3120 classic, announced Feb. 2008, [online], [retrieved on Jan. 9, 2009]. Retrieved from Internet ,<URL: <http://www.gsmarena.com>>.*

Samsung L870, announced Apr. 2008, [online], [retrieved on May 30, 2008]. Retrieved from Internet ,<URL: <http://www.gsmarena.com>>.*

Nokia 7310 Supernova, announced Jun. 2008, [online], [retrieved on Jan. 9, 2009]. Retrieved from Internet ,<URL: <http://www.gsmarena.com>>.*

* cited by examiner

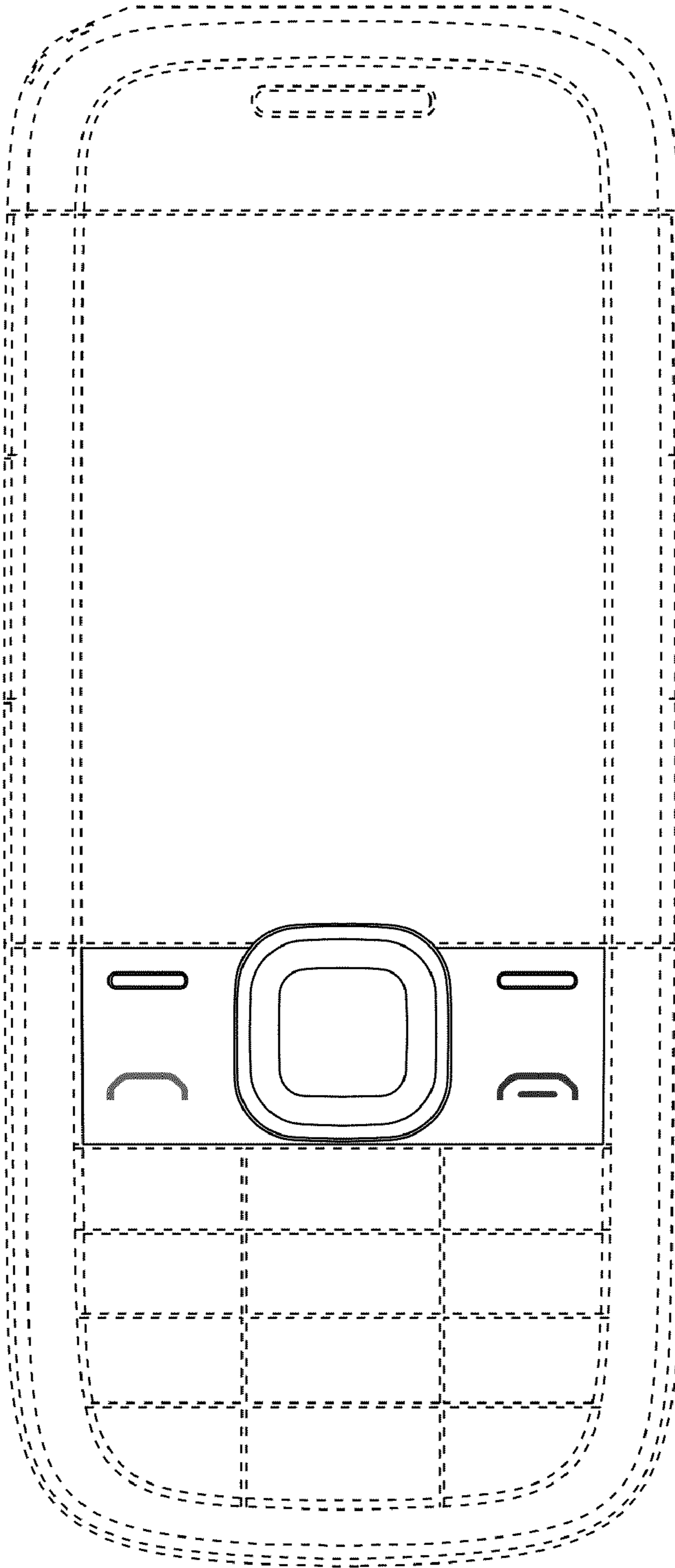


FIG. 1

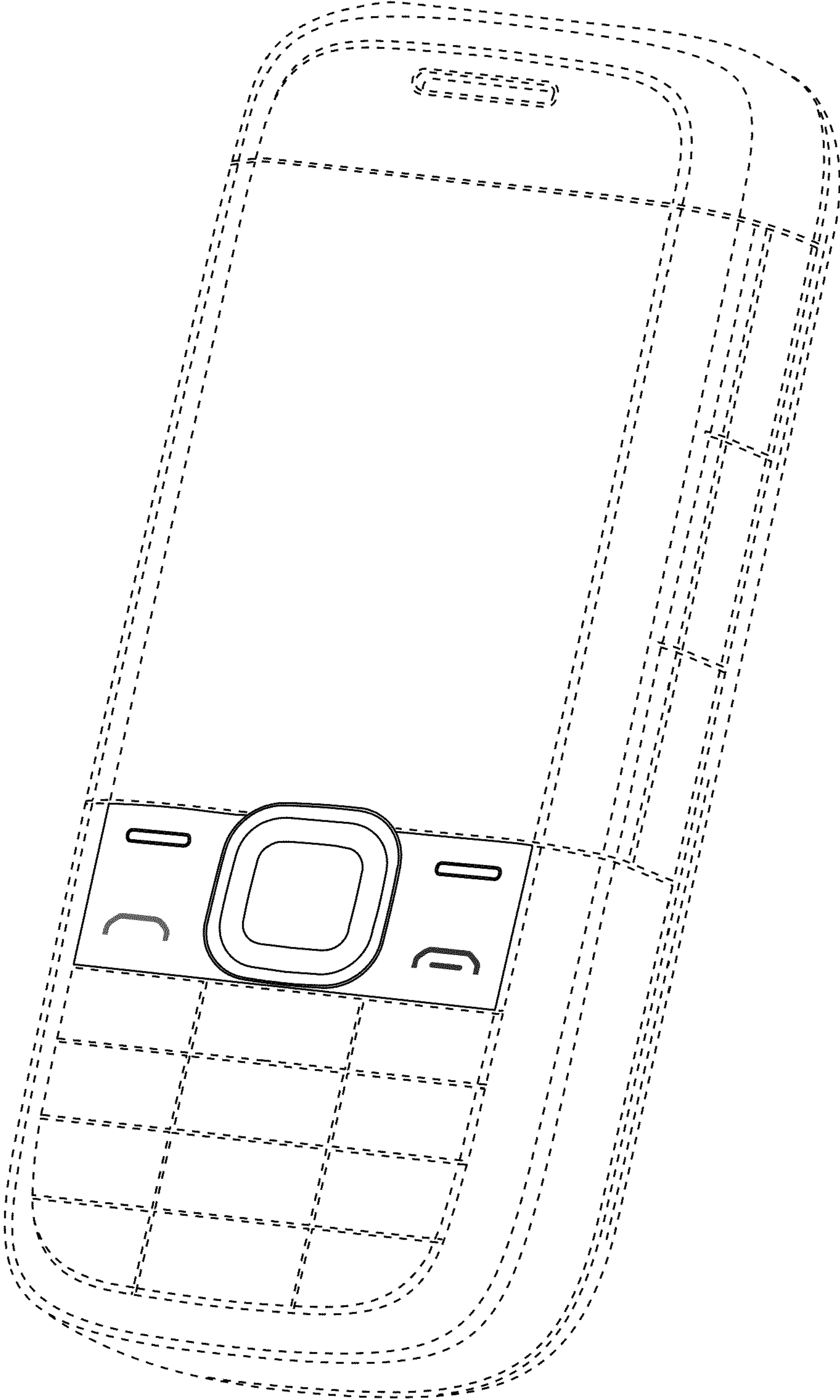


FIG. 2

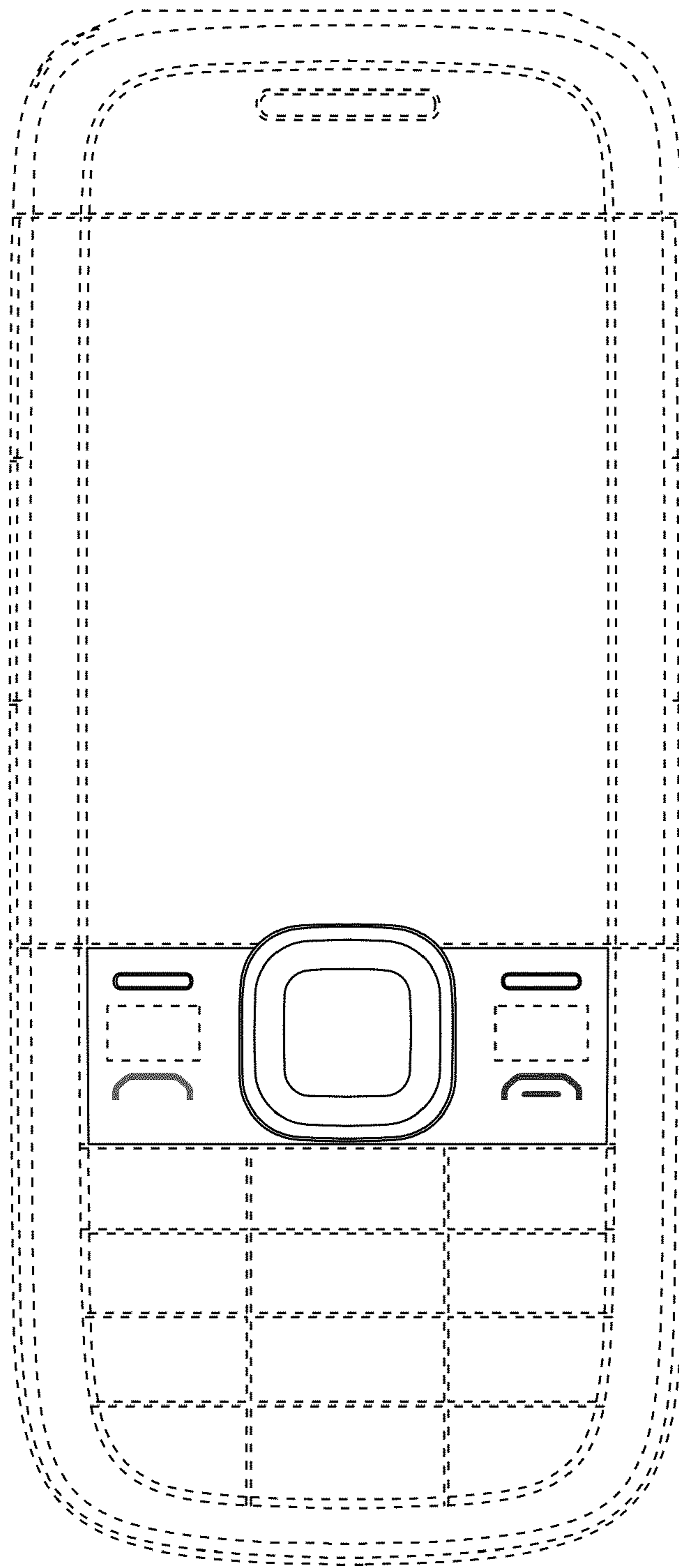


FIG. 3

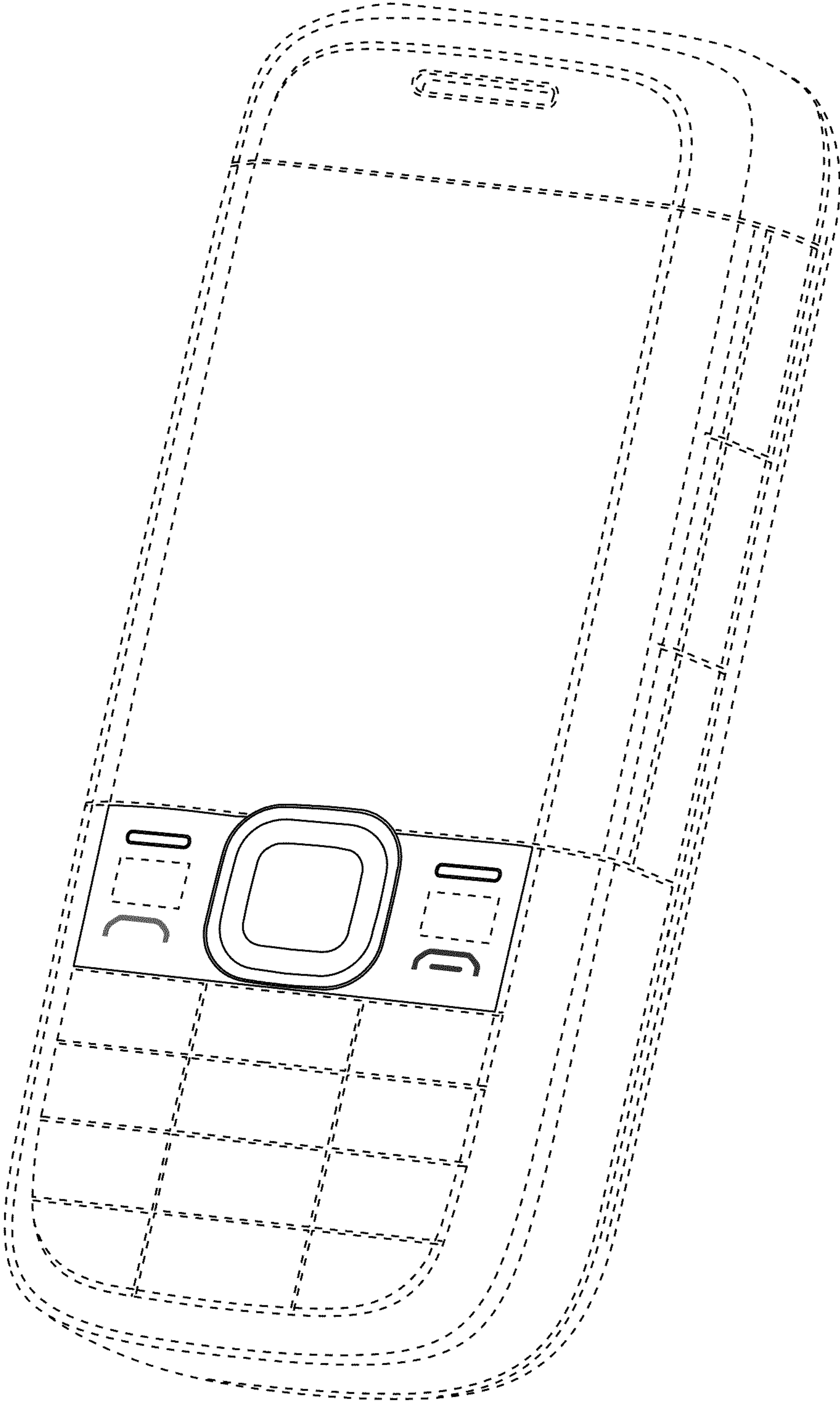


FIG. 4