



US00D609699S

(12) **United States Design Patent**
Burnham

(10) **Patent No.:** **US D609,699 S**
(45) **Date of Patent:** **** Feb. 9, 2010**

(54) **EAR PIECE**

FOREIGN PATENT DOCUMENTS

(75) Inventor: **Timothy Robert Burnham**, Bucks (GB)

CA 2496369 3/2004

(73) Assignee: **Racal Acoustics Limited**, Harrow, Middlesex (GB)

(Continued)

(**) Term: **14 Years**

Burnham, U.S. Appl. No. 29/328,912, filed Dec. 3, 2008.*

(21) Appl. No.: **29/328,911**

(Continued)

(22) Filed: **Dec. 3, 2008**

Primary Examiner—Paula Greene
(74) *Attorney, Agent, or Firm*—Thompson Coburn LLP; Benjamin L. Volk, Jr.

(30) **Foreign Application Priority Data**

Jun. 4, 2008 (EM) 000947676-0001

(57) **CLAIM**

(51) **LOC (9) Cl.** **14-01**

I claim the ornamental design of an ear piece, as shown and described.

(52) **U.S. Cl.** **D14/223**

(58) **Field of Classification Search** D14/205,
D14/206, 223, 188, 192, 142; 181/129, 130;
381/380, 381, 330, 374; 379/430, 428.01;
455/575.1, 575.2, 569.1; D24/174

DESCRIPTION

See application file for complete search history.

FIG. 1 is a left view of a design for an ear piece in accordance with the invention.

(56) **References Cited**

FIG. 2 is a rear view of the design for an ear piece shown in FIG. 1.

U.S. PATENT DOCUMENTS

FIG. 3 is a front view of the design for an ear piece shown in FIGS. 1 and 2.

- 3,123,678 A * 3/1964 Prentiss et al. 381/330
- 3,209,080 A * 9/1965 Guttner et al. 381/330
- 3,280,273 A * 10/1966 Flygstad et al. 379/430
- D233,444 S * 10/1974 Christian D14/206
- 4,335,281 A * 6/1982 Scott et al. 379/430
- 4,499,593 A 2/1985 Antle
- 4,677,675 A * 6/1987 Killion et al. 381/322
- 5,046,580 A * 9/1991 Barton 181/135
- 5,117,464 A 5/1992 Jones et al.
- 5,210,792 A * 5/1993 Kajihara 379/430
- 5,384,857 A 1/1995 Nordin et al.
- 5,414,769 A * 5/1995 Gattey et al. 379/430
- 5,450,496 A 9/1995 Burris et al.

FIG. 4 is a right view of the design for an ear piece shown in FIGS. 1-3.

FIG. 5 is a top view of the design for an ear piece shown in FIGS. 1-4.

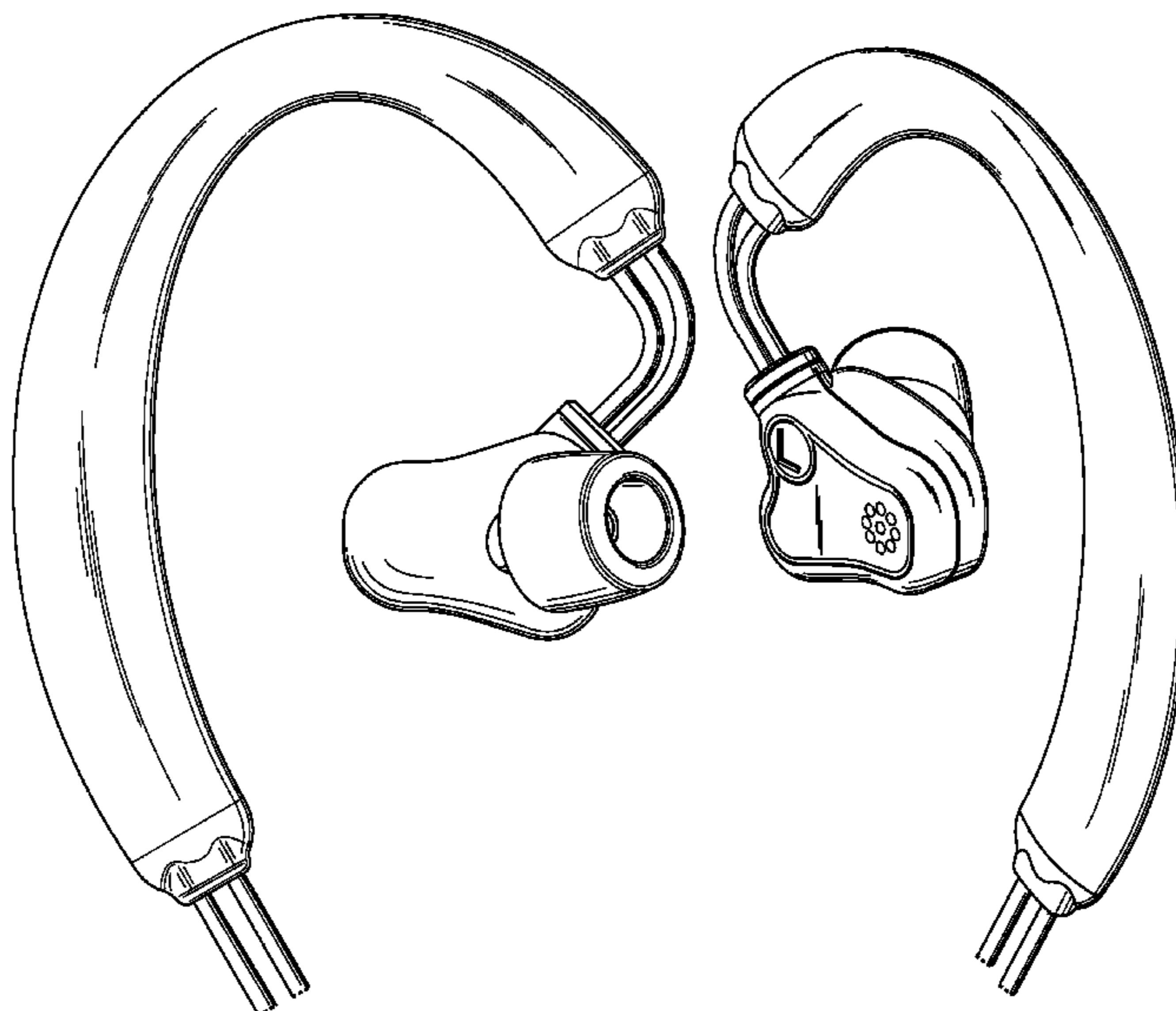
FIG. 6 is a bottom view of the design for an ear piece shown in FIGS. 1-5; and,

FIG. 7 is a perspective view of the design for an ear piece shown in FIGS. 1-6.

The broken lines shown in the figures are intended to show an end face boundary and environment that forms no part of the claimed design.

(Continued)

1 Claim, 6 Drawing Sheets



US D609,699 S

Page 2

U.S. PATENT DOCUMENTS

D407,089 S * 3/1999 Norin D14/206
5,975,235 A * 11/1999 Schlaegel et al. 181/129
6,154,539 A 11/2000 Pitel
6,252,970 B1 6/2001 Poon et al.
6,466,681 B1 10/2002 Siska, Jr. et al.
D511,156 S * 11/2005 Eroma et al. D14/223
7,099,464 B2 * 8/2006 Lucey et al. 379/430
D535,975 S * 1/2007 Brennwald D14/206
D539,266 S * 3/2007 Bentley et al. D14/205
D541,787 S * 5/2007 Ma D14/205
D556,735 S * 12/2007 Yeo D14/206
D557,255 S * 12/2007 Shintani D14/206
D565,557 S * 4/2008 Kaneda D14/226
D571,784 S * 6/2008 Jensen et al. D14/205
D572,234 S * 7/2008 Reda et al. D14/205
D573,137 S * 7/2008 Polito D14/223
D575,772 S * 8/2008 Schultz et al. D14/223
D584,719 S * 1/2009 Brennwald D14/223
D585,881 S * 2/2009 Nam et al. D14/223
D586,329 S * 2/2009 Birger D14/205
D588,110 S * 3/2009 Darbut D14/223

2001/0025775 A1 10/2001 Krebs et al.
2006/0090246 A1 5/2006 Cozens et al.

FOREIGN PATENT DOCUMENTS

DE 10321449 A 11/2003
EP 0071464 2/1983
EP 1003349 A2 5/2000
EP 1536675 A1 6/2005
GB 721258 1/1955
GB 1091490 11/1967
GB 1229086 A 4/1971
GB 2271924 A 5/1994
GB 2309351 7/1997
JP 05122127 A 5/1993

OTHER PUBLICATIONS

Patent Abstract of Japan 05122127A dated May 18, 1993.
International Search Report for PCT/GB2005/004007 dated Apr. 6, 2006.
European Search Report for Application No. GB0521158.6 dated May 18, 2006.

* cited by examiner

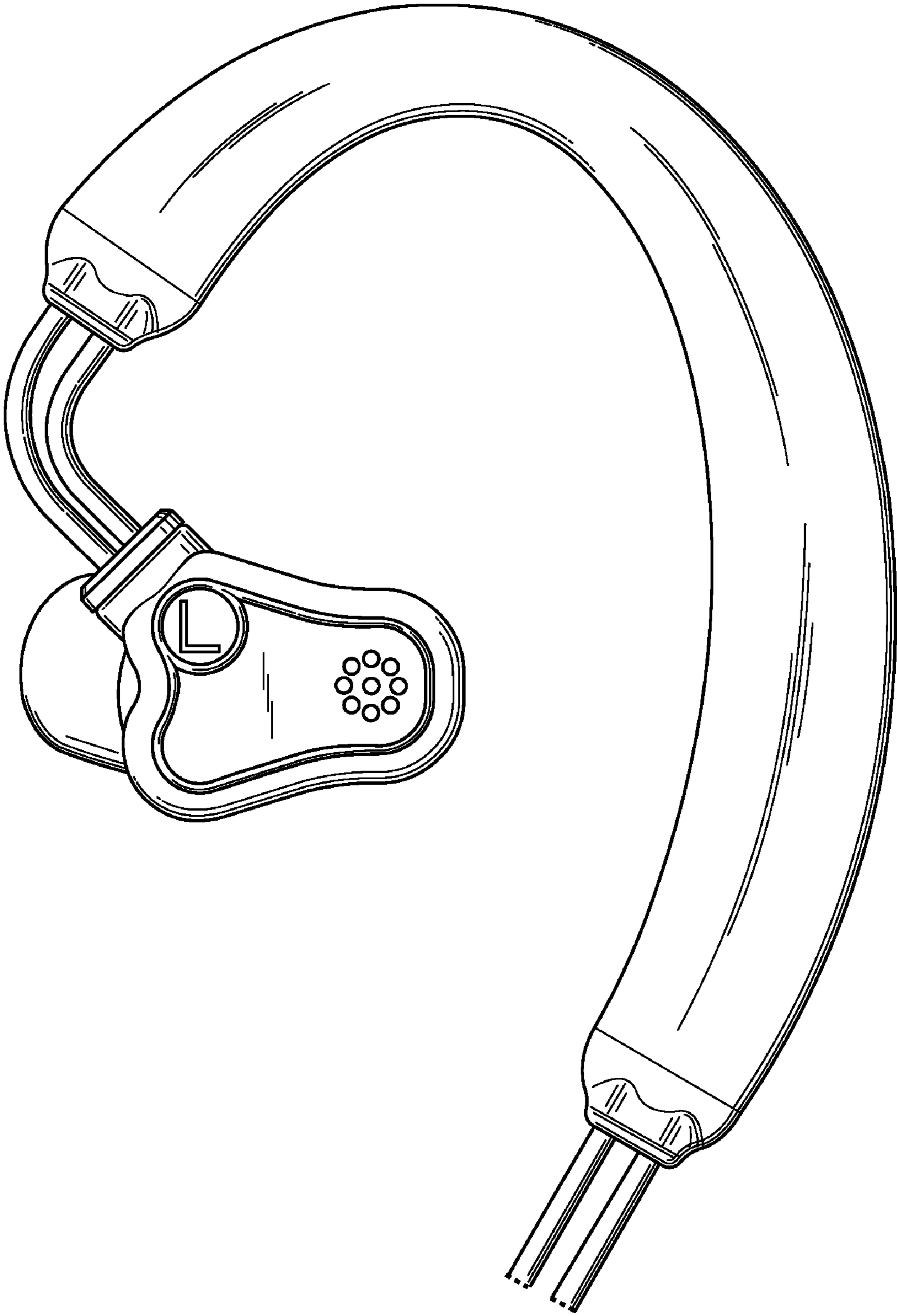


Fig. 1

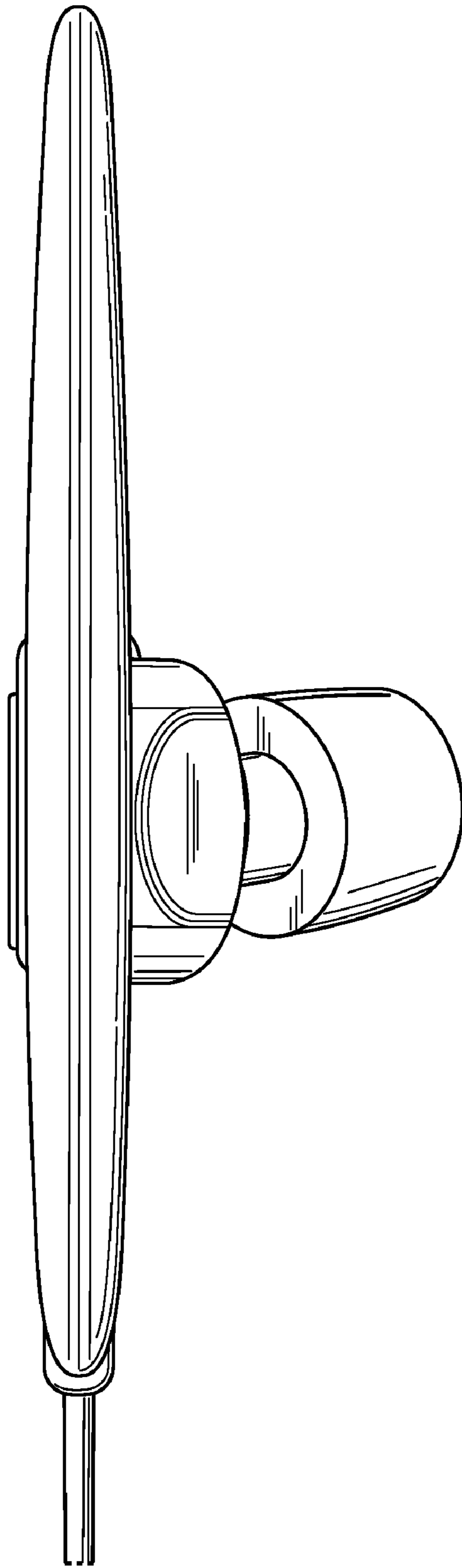


Fig. 2

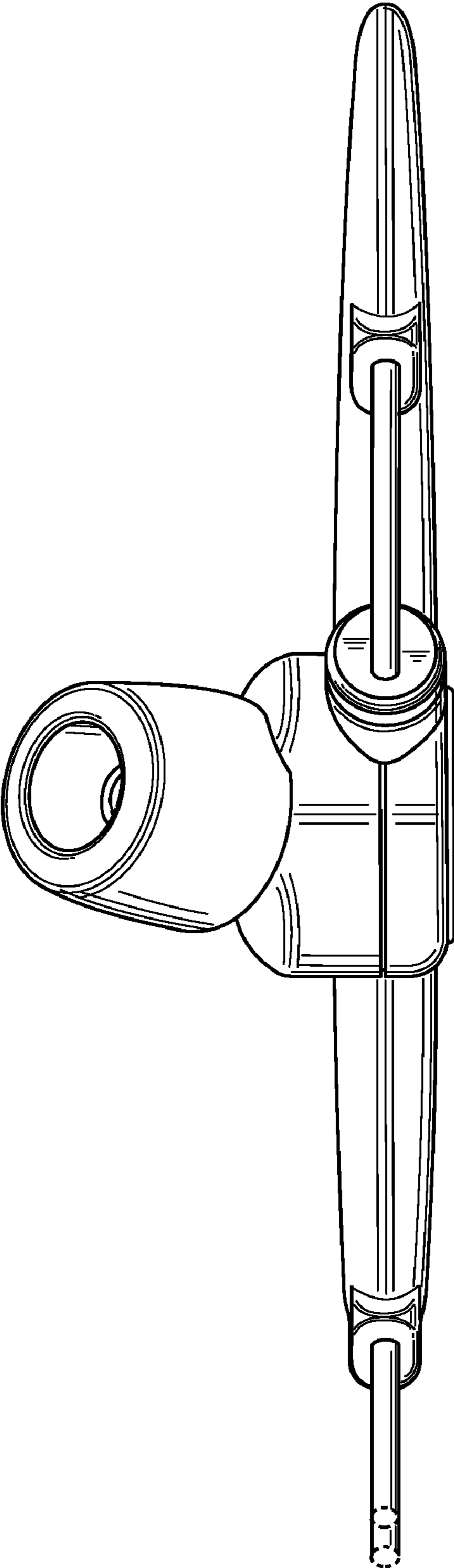


Fig. 3

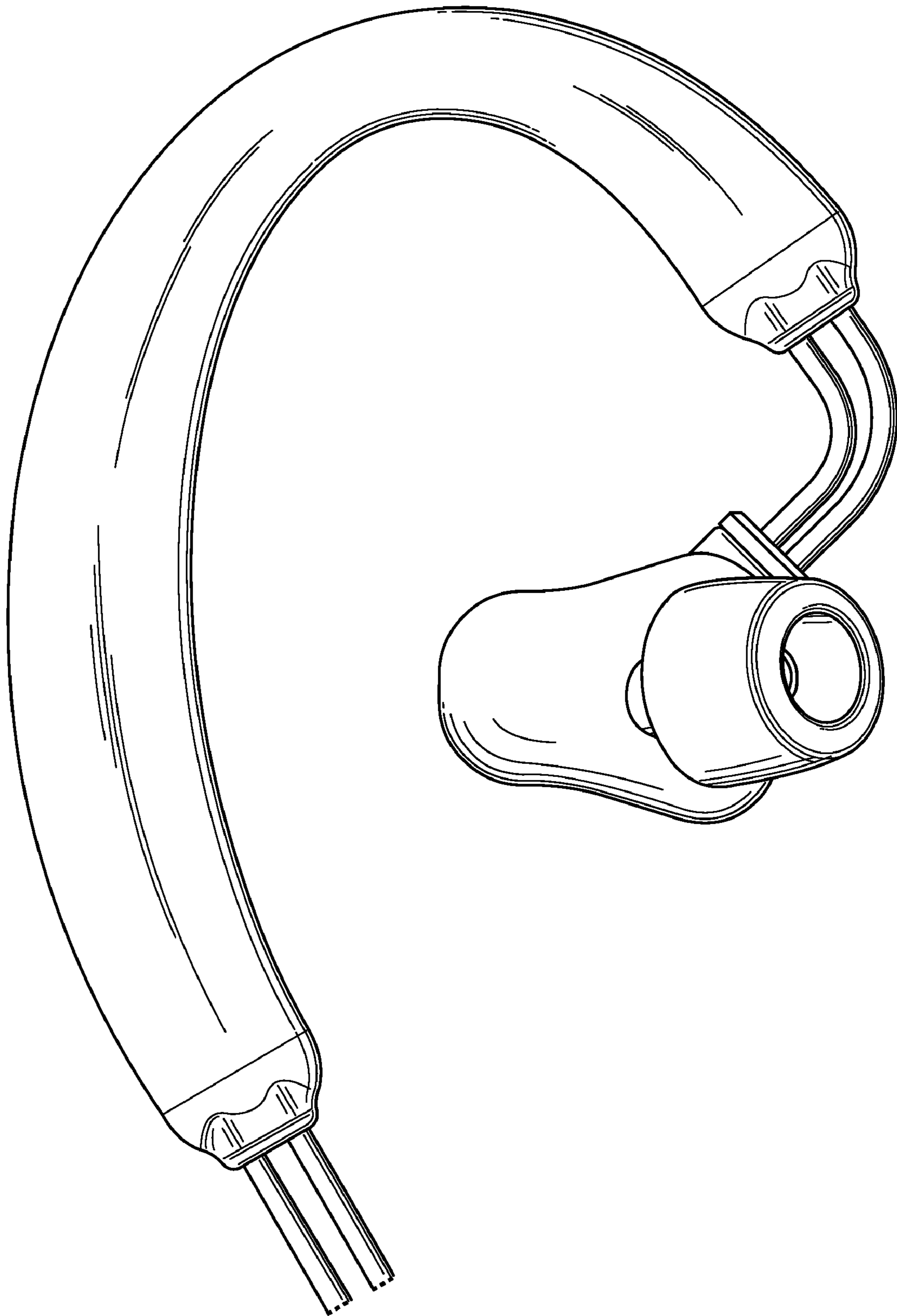


Fig. 4

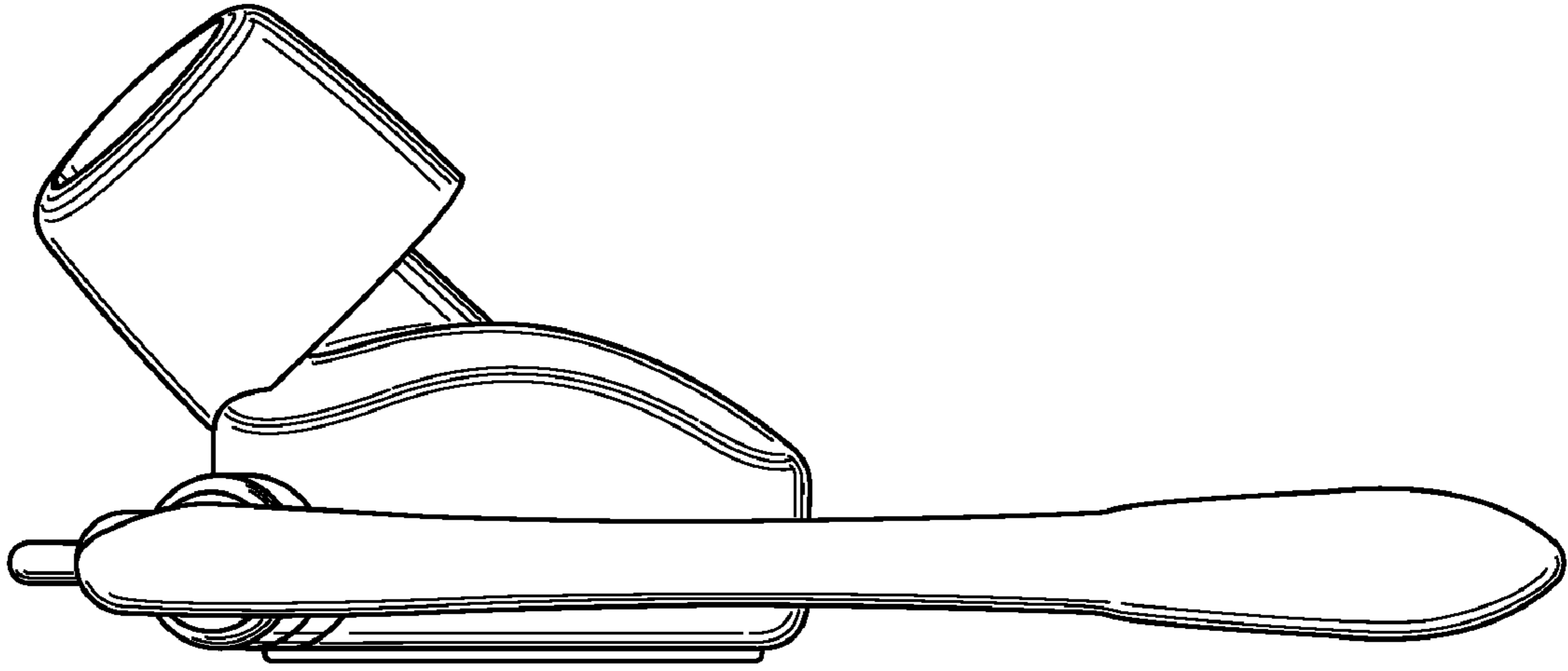


Fig. 5

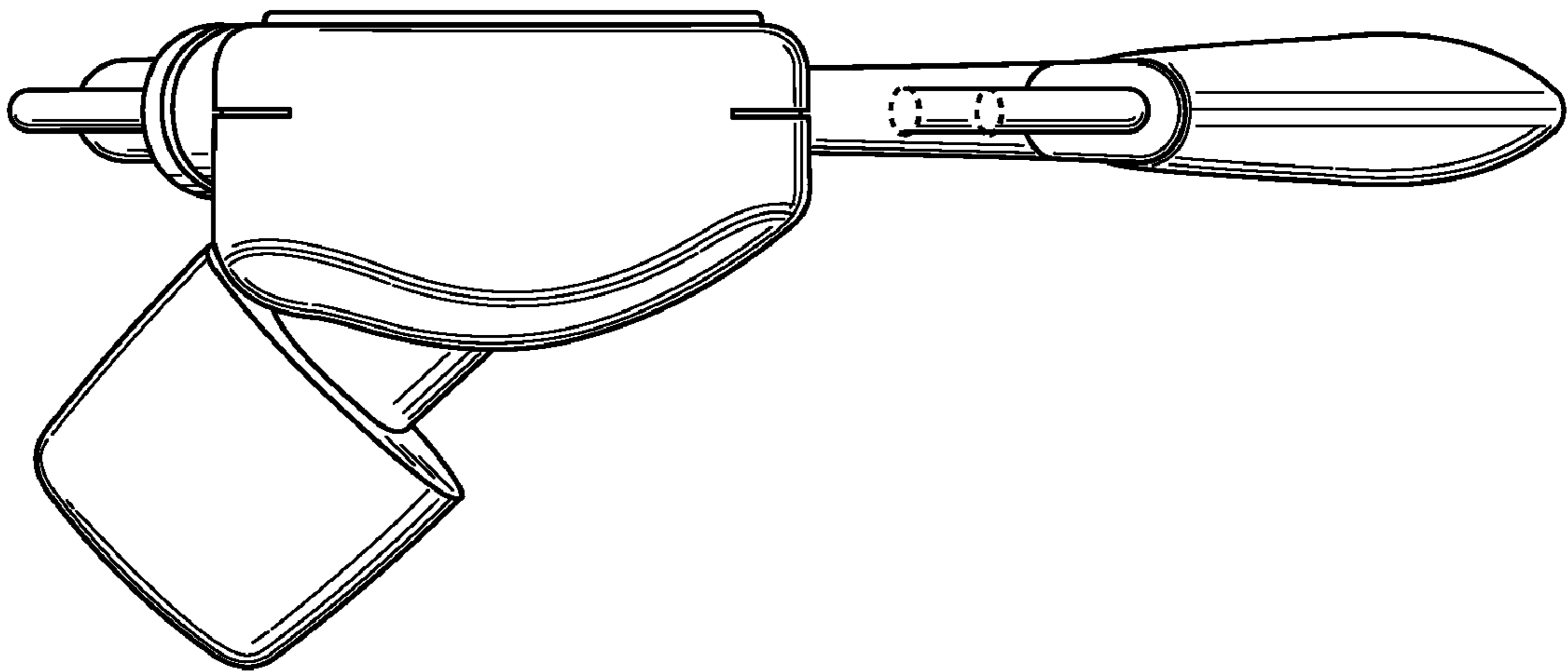


Fig. 6

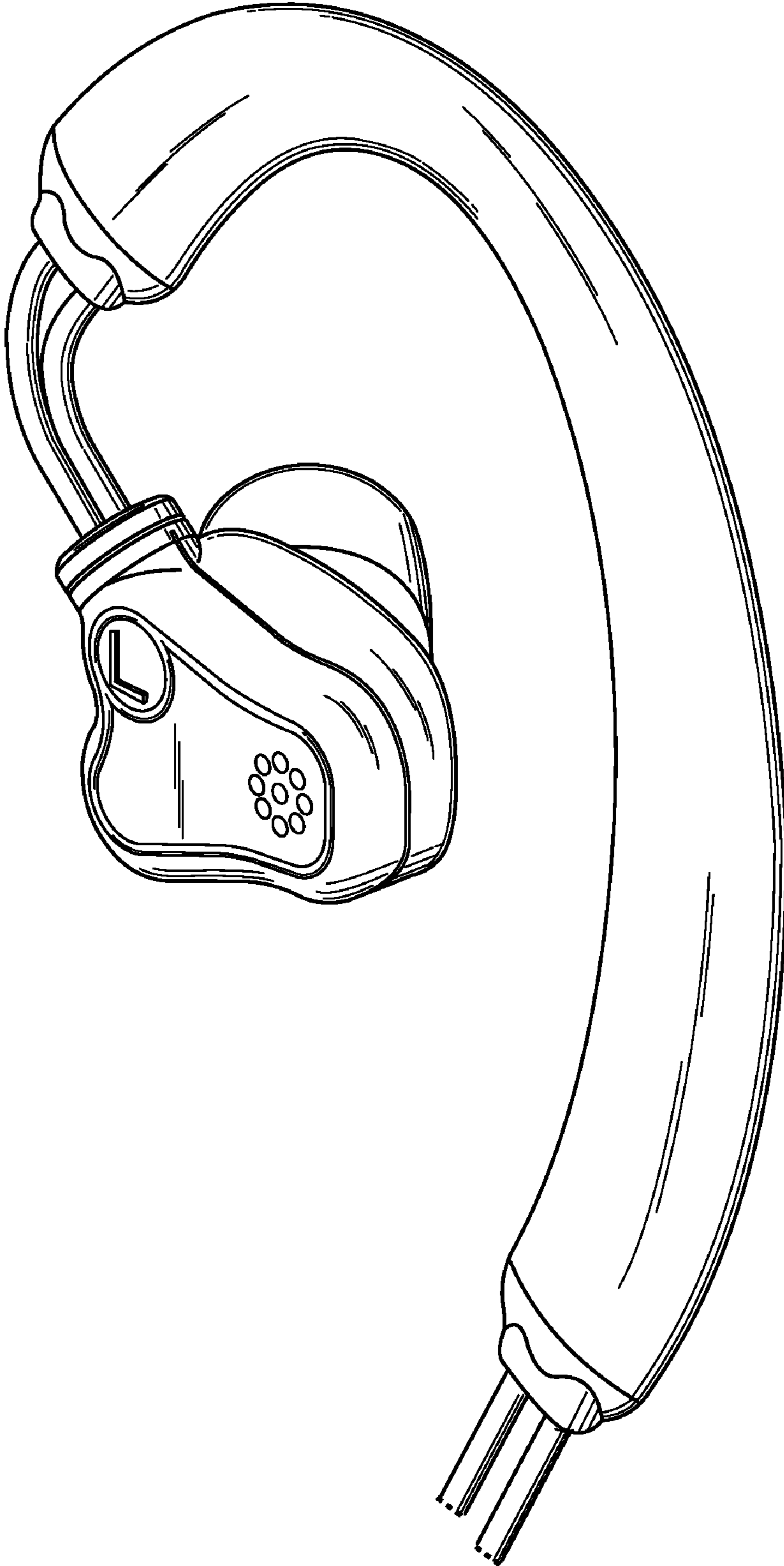


Fig. 7