



US00D609697S

(12) **United States Design Patent**
Legrand et al.

(10) **Patent No.:** **US D609,697 S**

(45) **Date of Patent:** **** Feb. 9, 2010**

(54) **SUPPORT FOR PORTABLE MEDIA PLAYER**

(75) Inventors: **Raphaelle Legrand**, Antony (FR);
Gildas Pelhate, Creteil (FR)

(73) Assignee: **Archos**, Igny (FR)

(**) Term: **14 Years**

(21) Appl. No.: **29/271,906**

(22) Filed: **Jan. 30, 2007**

(30) **Foreign Application Priority Data**

Jul. 31, 2006 (FR) 06 3561

(51) **LOC (9) Cl.** **14-03**

(52) **U.S. Cl.** **D14/217; D13/108**

(58) **Field of Classification Search** D14/142,
D14/149, 217, 251, 432-435, 447, 496; D13/107,
D13/108, 118; 248/221.11, 309.1, 175; 320/107,
320/110, 113-115; 361/600, 679, 683, 686;
439/529, 534; 455/556.1, 556.2, 557
See application file for complete search history.

(56) **References Cited**

U.S. PATENT DOCUMENTS

D221,767 S * 9/1971 Genaro et al. D14/149
D411,835 S * 7/1999 Mizusugi et al. D14/434
D469,097 S * 1/2003 Liu D14/434

D474,735 S * 5/2003 Lee D13/108
D511,520 S * 11/2005 Hussaini et al. D14/434
D514,576 S * 2/2006 Sung et al. D14/434
D540,802 S * 4/2007 Hussaini et al. D14/434
D552,611 S * 10/2007 Hagiwara et al. D14/434
D557,693 S * 12/2007 Kim et al. D14/251

* cited by examiner

Primary Examiner—Stella M Reid

Assistant Examiner—Keli L Hill

(74) *Attorney, Agent, or Firm*—Young & Thompson

(57) **CLAIM**

The ornamental design for a support for portable media player, as shown and described.

DESCRIPTION

FIG. 1 is a rear view of a support for portable media player, embodying our new design;

FIG. 2 is a front view thereof;

FIG. 3 is a right side view thereof;

FIG. 4 is a left side view thereof;

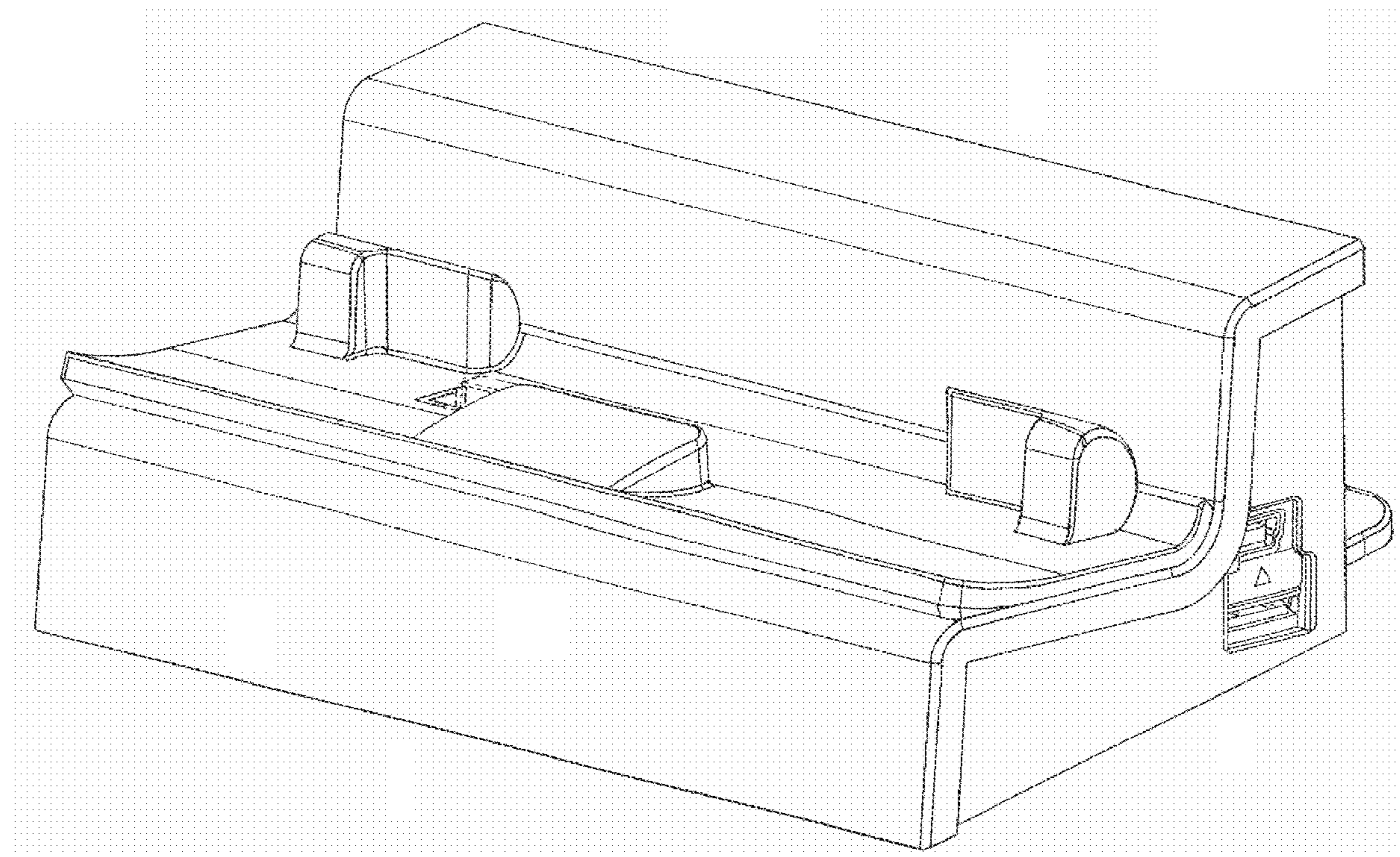
FIG. 5 is a top plan view thereof;

FIG. 6 is a bottom plan view thereof; and,

FIG. 7 is a front perspective view thereof.

The broken line material forms no part of the claimed design.

1 Claim, 7 Drawing Sheets



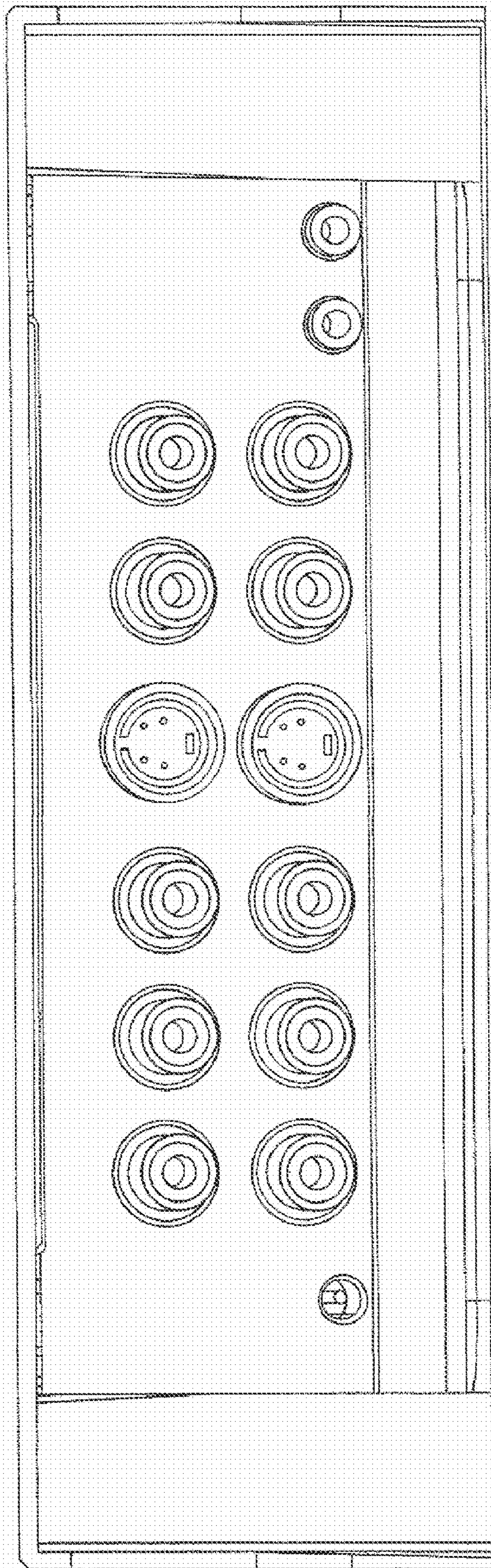


Figure 1

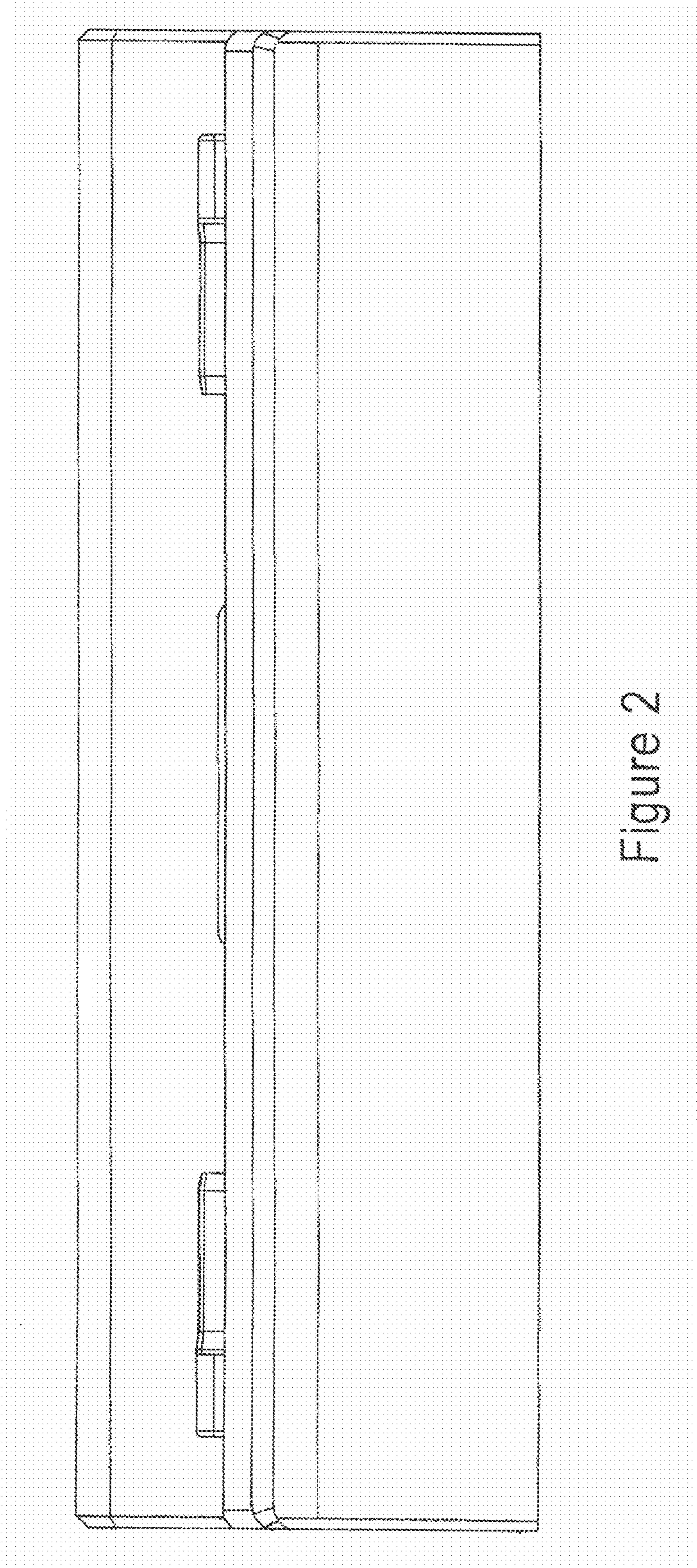


Figure 2

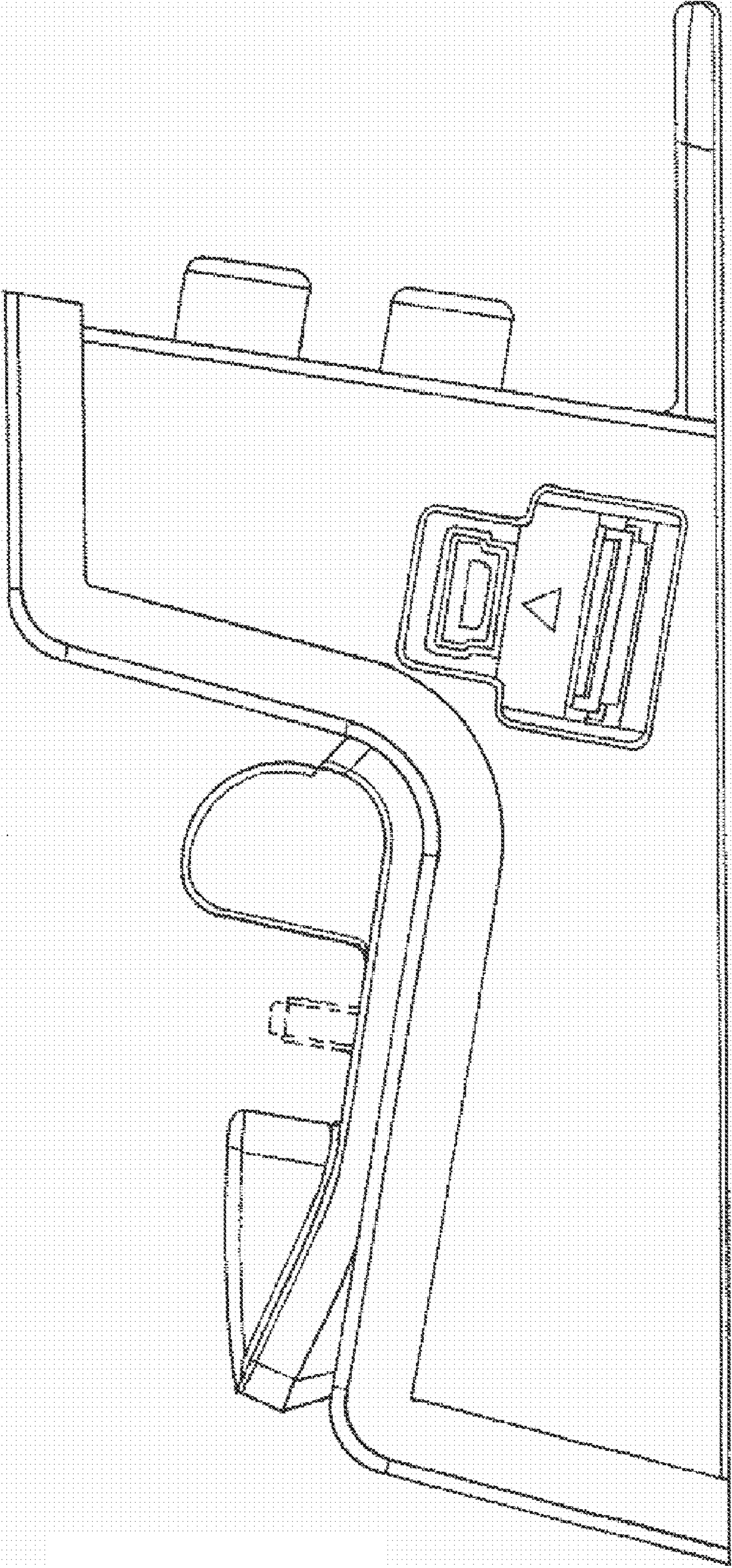
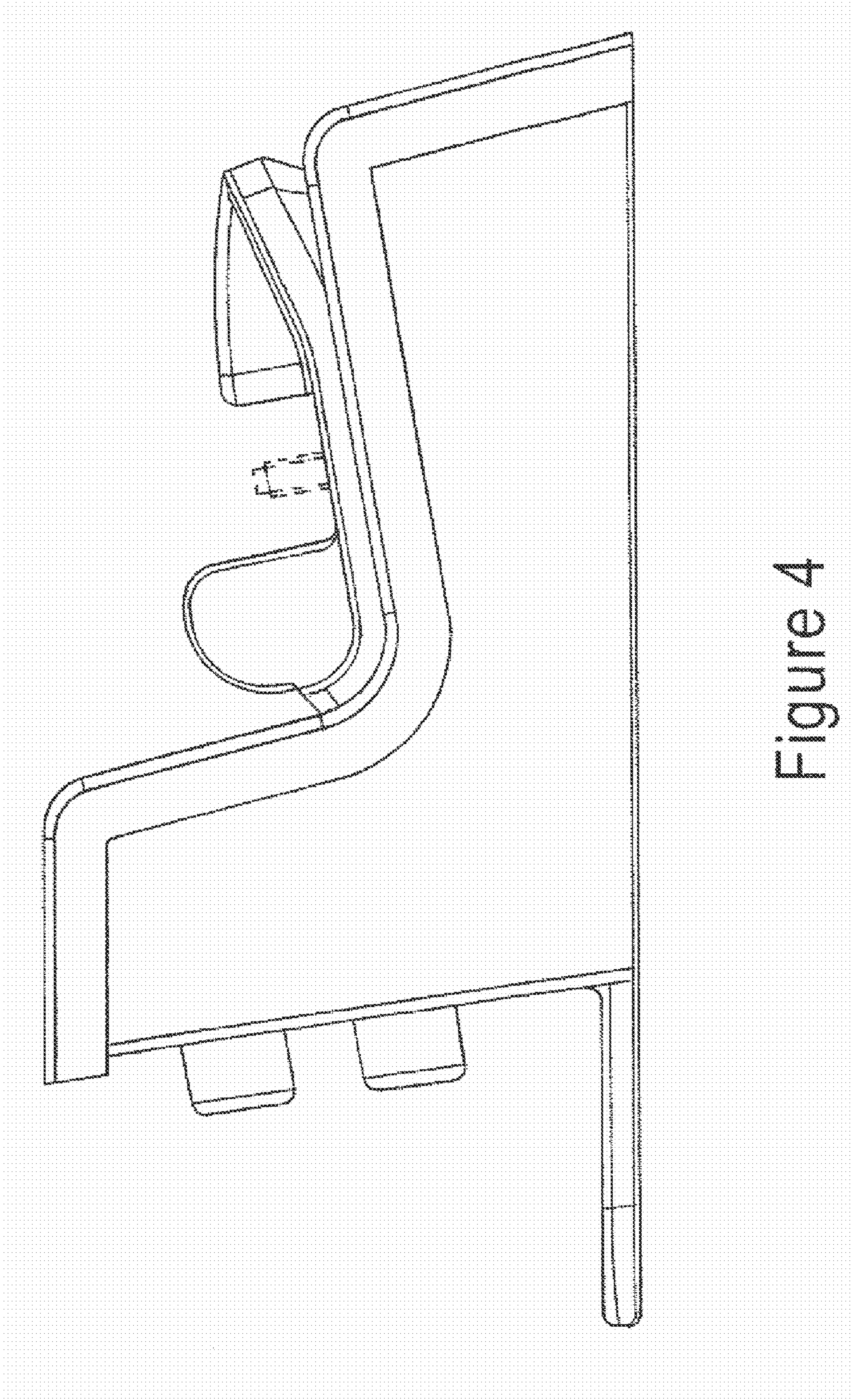


Figure 3



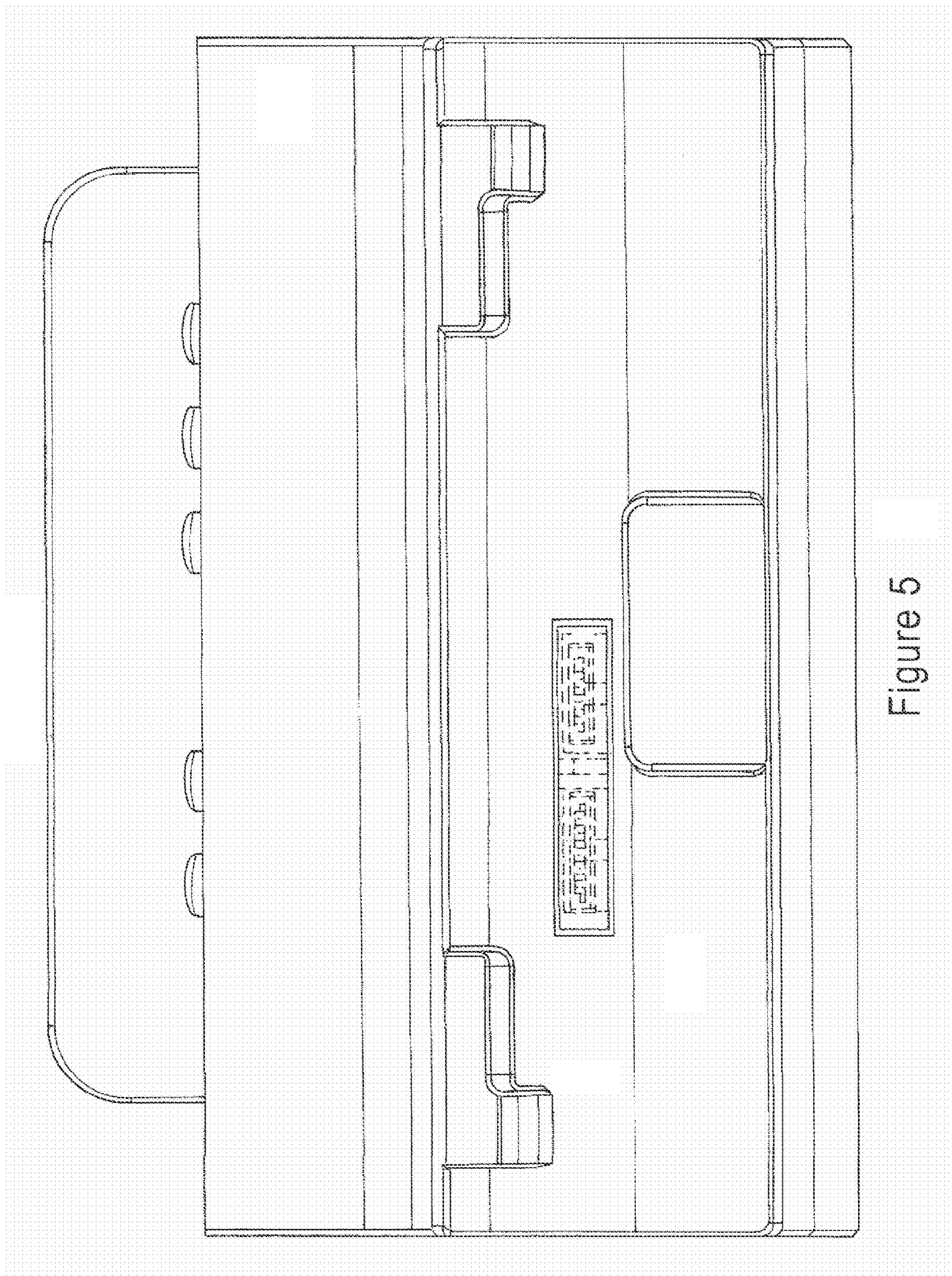


Figure 5

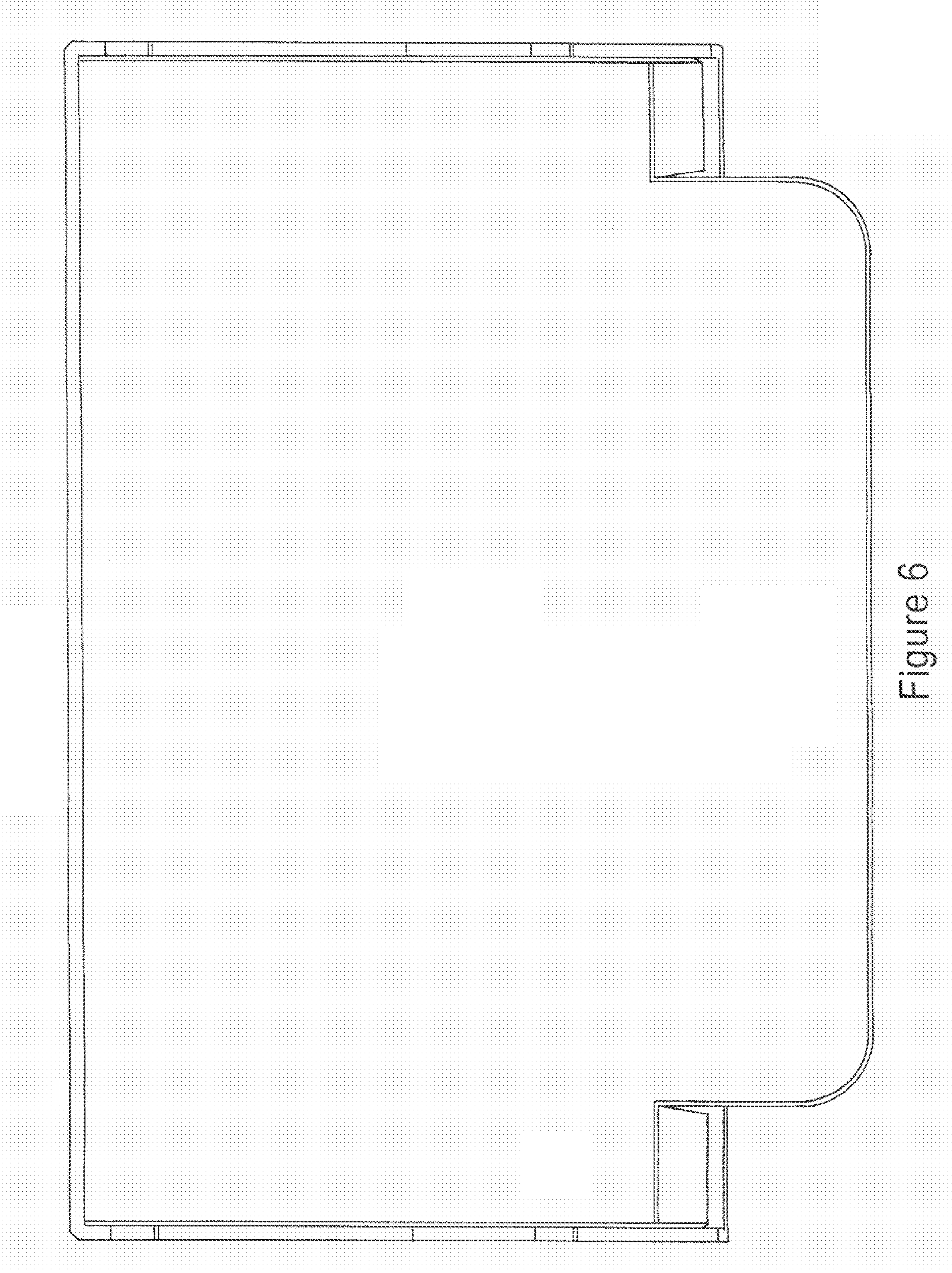


Figure 6

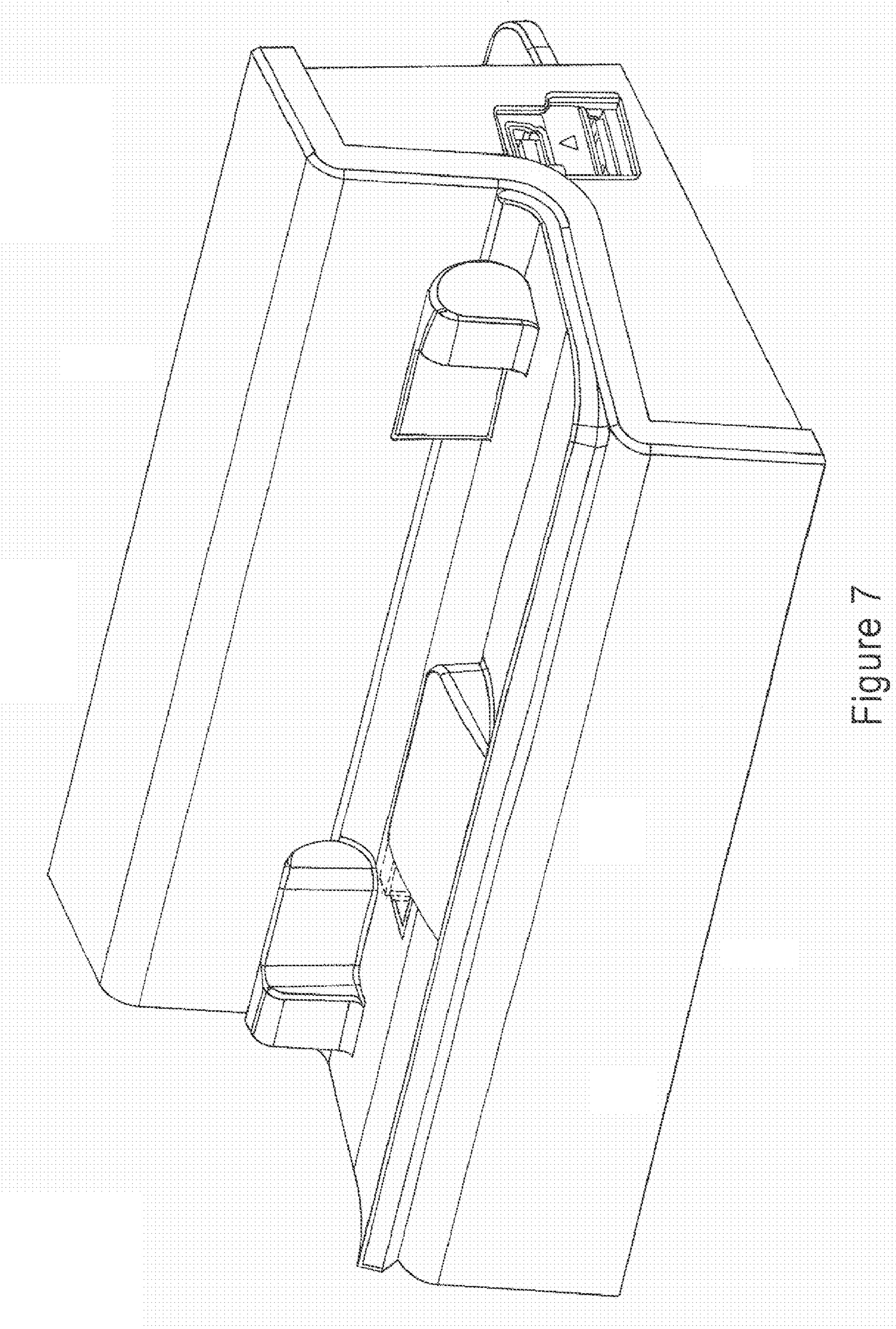


Figure 7