



US00D609695S

(12) **United States Design Patent**
Cigliano et al.

(10) **Patent No.:** **US D609,695 S**

(45) **Date of Patent:** **** Feb. 9, 2010**

(54) **HEADSET FOR A COMMUNICATION DEVICE**

(75) Inventors: **Katherine E Cigliano**, Chicago, IL (US); **Joel Soto**, Maywood, IL (US); **Marc R Walliser**, Chicago, IL (US)

(73) Assignee: **Motorola, Inc.**, Schaumburg, IL (US)

(**) Term: **14 Years**

(21) Appl. No.: **29/332,926**

(22) Filed: **Feb. 27, 2009**

(51) **LOC (9) Cl.** **14-01**

(52) **U.S. Cl.** **D14/205**

(58) **Field of Classification Search** D14/205, D14/206, 223; D13/168; 181/129, 130; 381/380, 381; 379/430, 431; D24/174
See application file for complete search history.

(56) **References Cited**

U.S. PATENT DOCUMENTS

- D470,467 S * 2/2003 Maruska et al. D14/138 AA
- D480,057 S * 9/2003 Ho-Cheun et al. ... D14/138 AA
- D487,439 S * 3/2004 Arnholt et al. D14/138 AB
- D487,456 S * 3/2004 Maruska et al. D14/248
- D493,778 S * 8/2004 Walliser et al. D14/138 AA
- 6,772,853 B2 * 8/2004 Yang 181/129
- D509,203 S * 9/2005 Bertrand et al. D14/138 AD
- D538,271 S * 3/2007 Kim et al. D14/223
- D555,150 S * 11/2007 Christopher et al. D14/223
- D557,419 S * 12/2007 Jurkiewicz D24/174
- D575,277 S * 8/2008 Gaarde et al. D14/223

- D581,396 S * 11/2008 Wikel et al. D14/206
- D582,897 S * 12/2008 Christopher et al. D14/223
- D588,113 S * 3/2009 Bradford D14/223
- 7,542,564 B2 * 6/2009 Jaakkola 379/430
- D596,165 S * 7/2009 Henning D14/223
- D596,166 S * 7/2009 Henning D14/223
- D597,506 S * 8/2009 Van Den Nieuwenhuisen et al. D14/138 AD
- D598,900 S * 8/2009 Wikel et al. D14/223

* cited by examiner

Primary Examiner—Paula Greene

(57) **CLAIM**

The ornamental design for a headset for a communication device, as shown and described.

DESCRIPTION

FIG. 1 is a perspective view of an ornamental design for a headset for a communication device;

FIG. 2 is a top view thereof;

FIG. 3 is a bottom view thereof;

FIG. 4 is a first side view thereof;

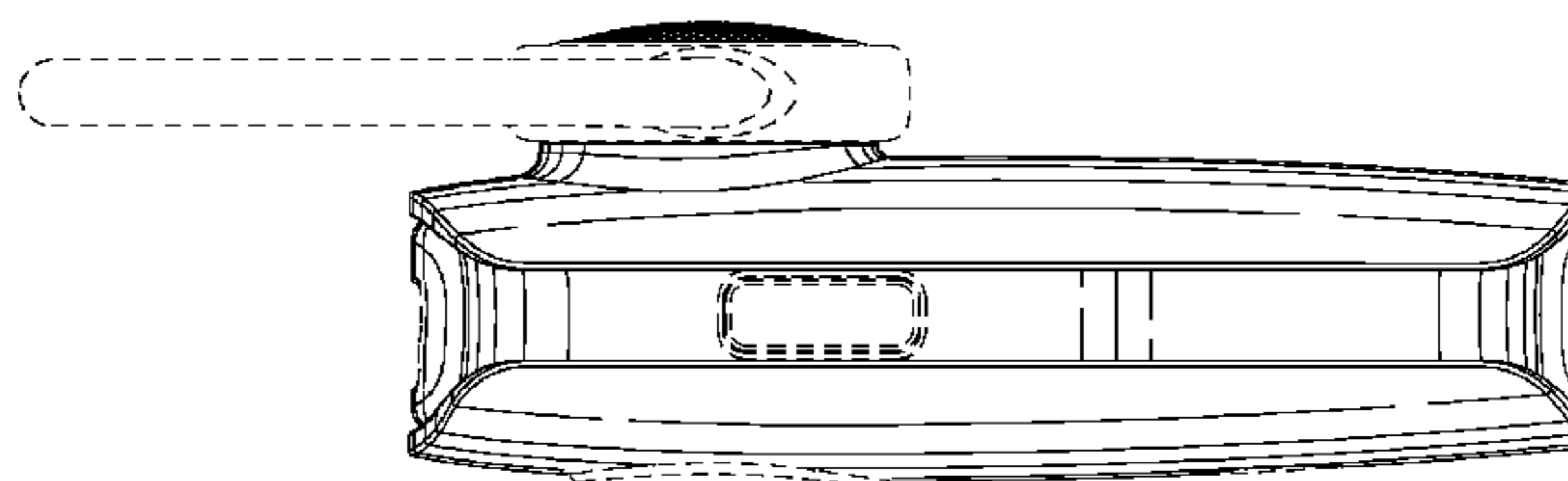
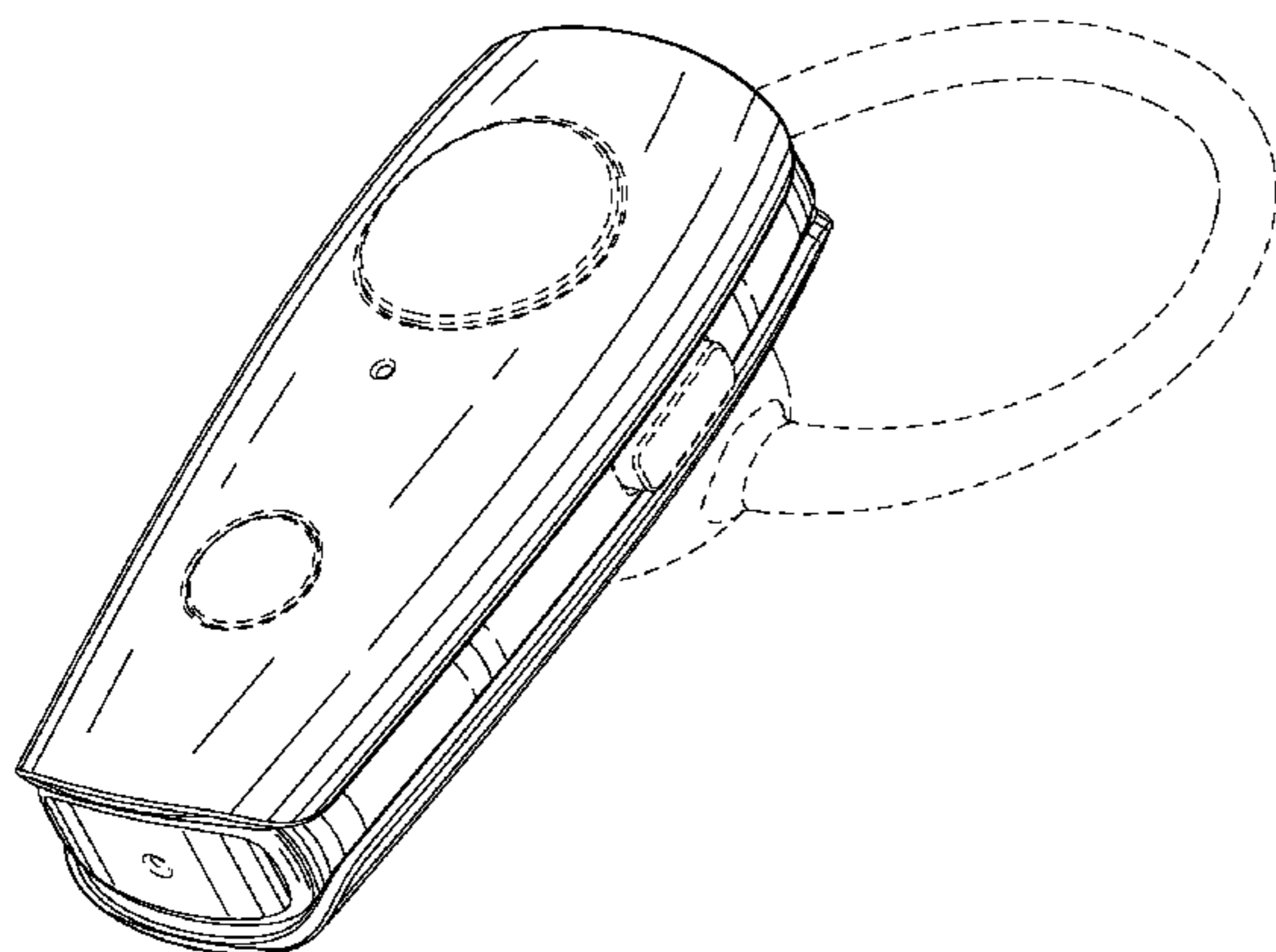
FIG. 5 is a second side view thereof;

FIG. 6 is a rear view thereof; and,

FIG. 7 is a front view thereof.

The broken line in FIGS. 1–7 showing environmental structures is for illustrative purposes and forms no part of the claim design.

1 Claim, 4 Drawing Sheets



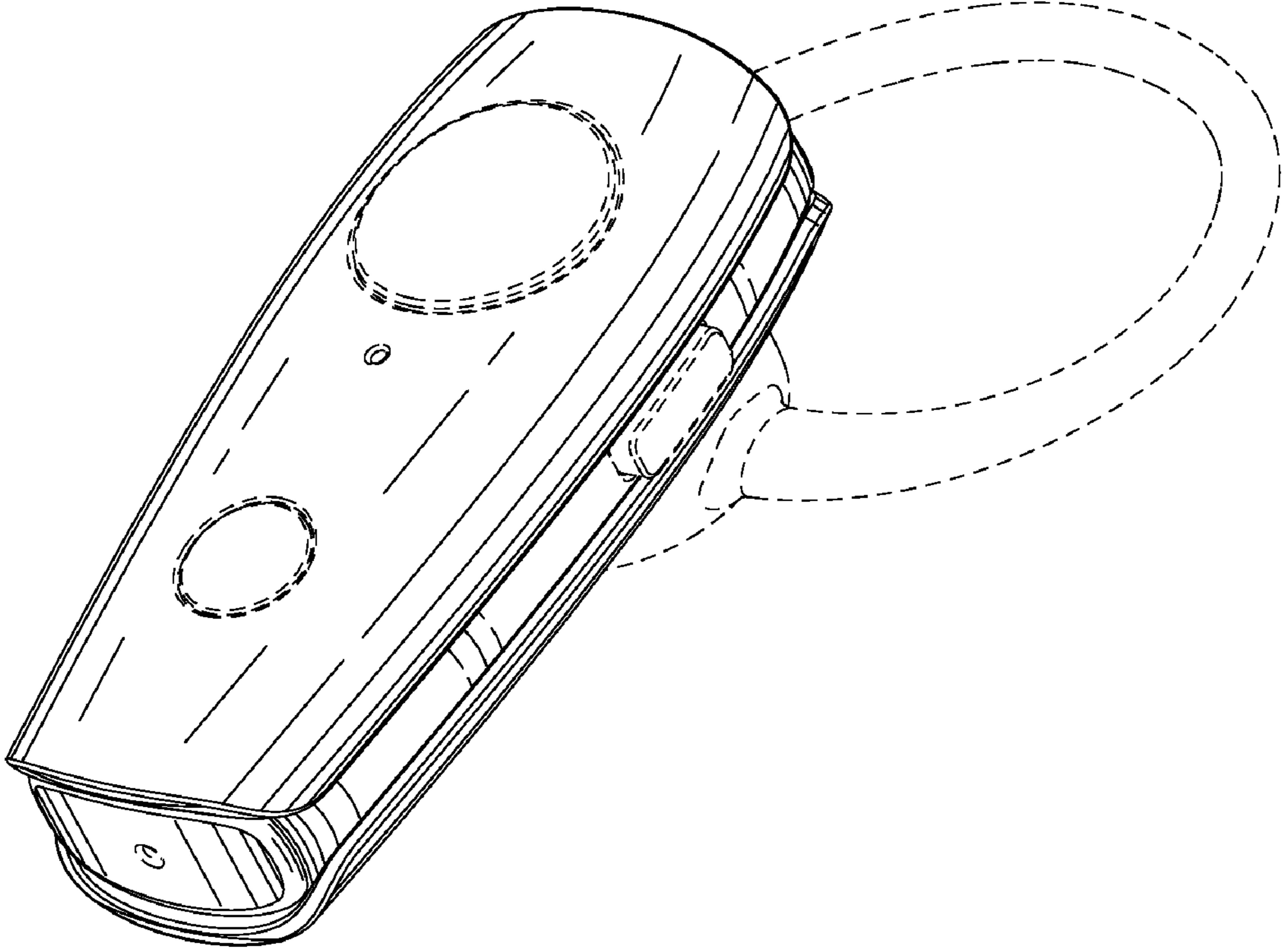


FIG. 1

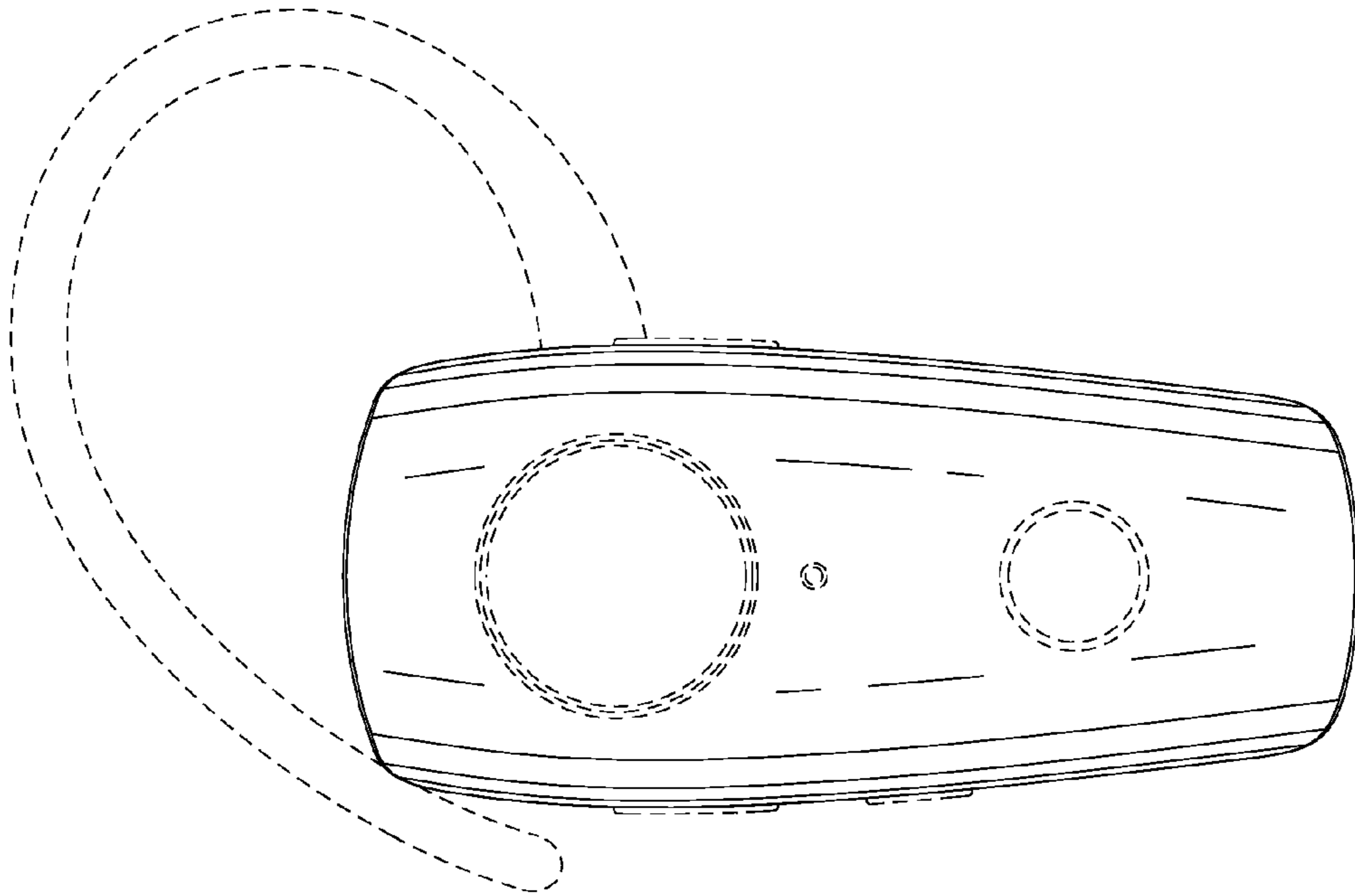


FIG. 2

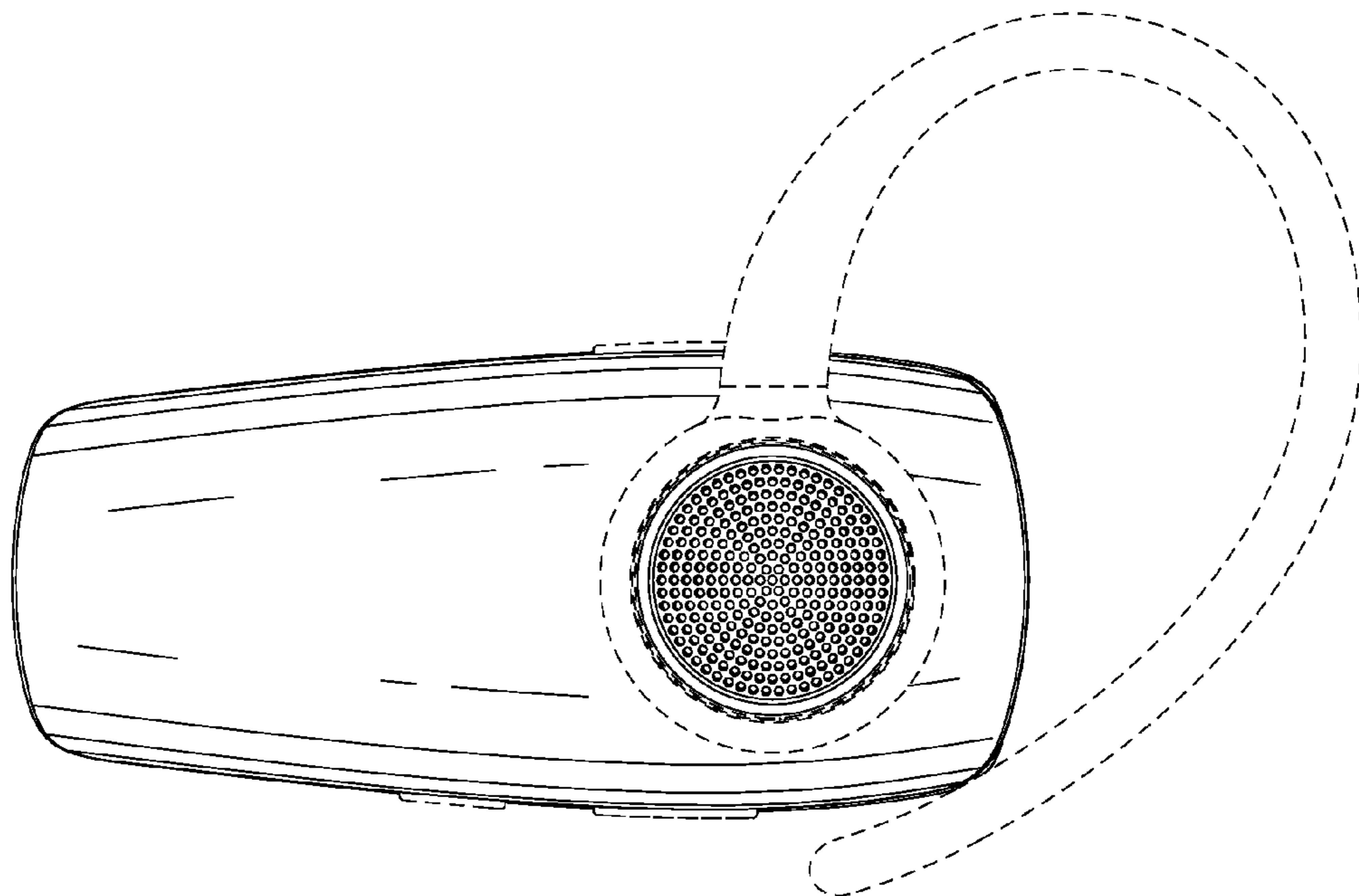


FIG. 3

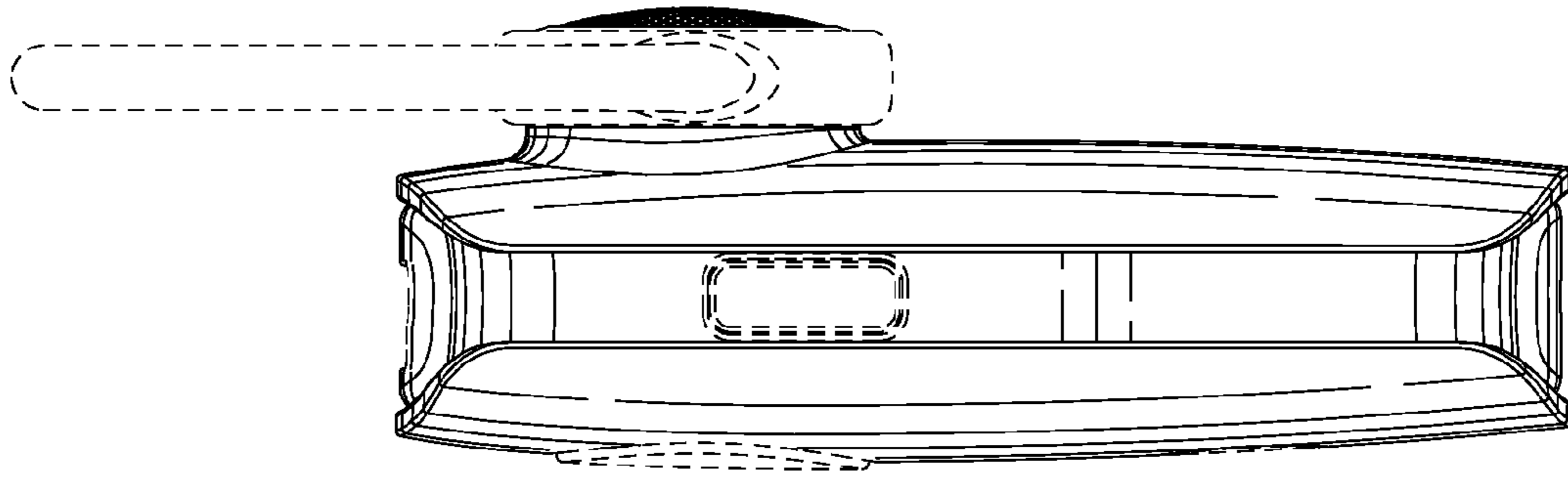


FIG. 4

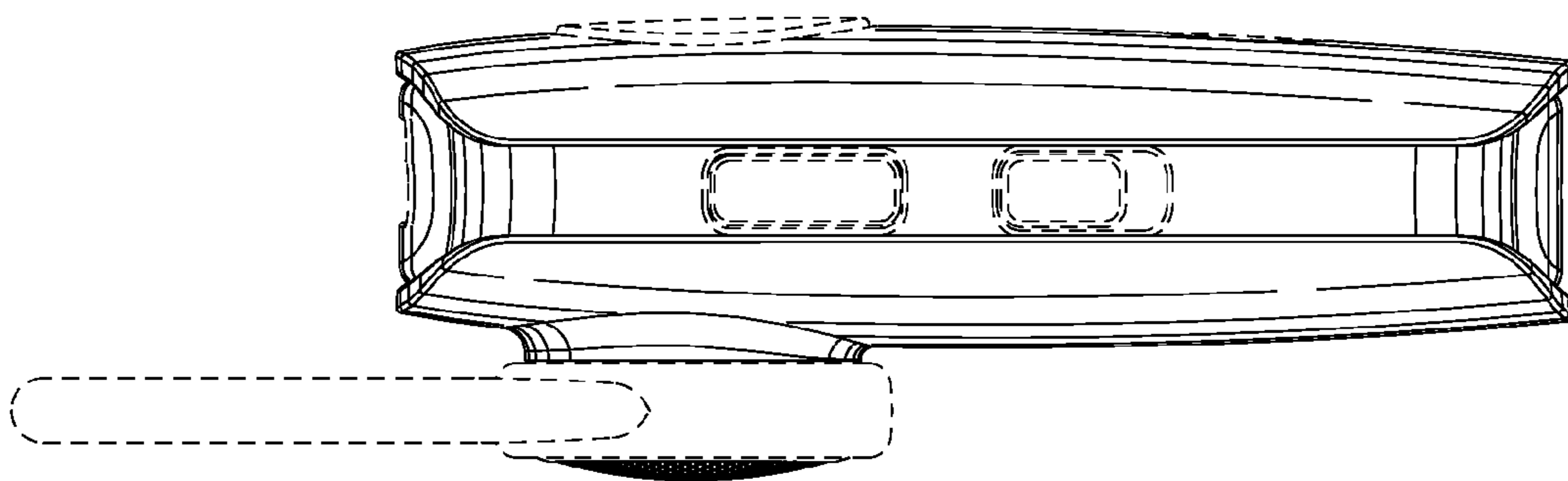


FIG. 5

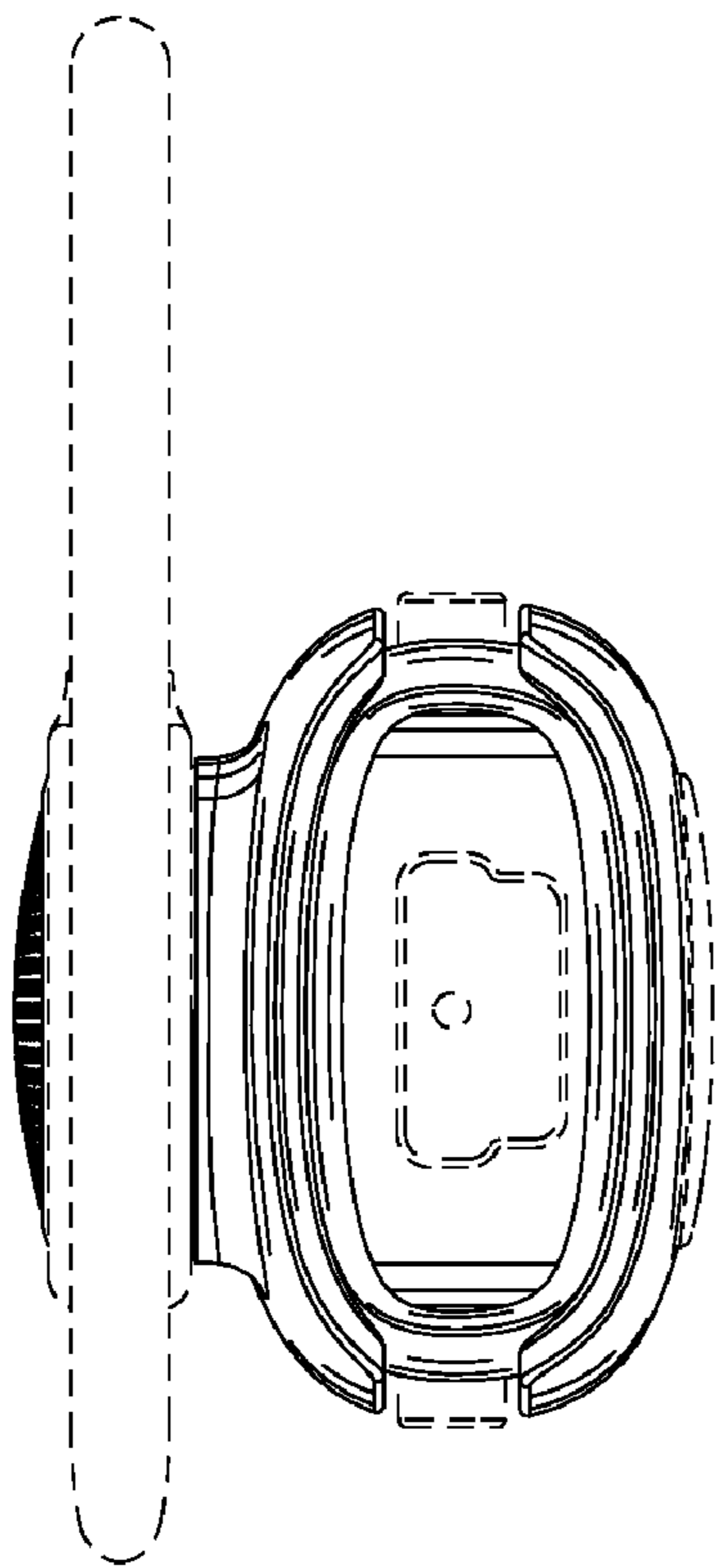


FIG. 6

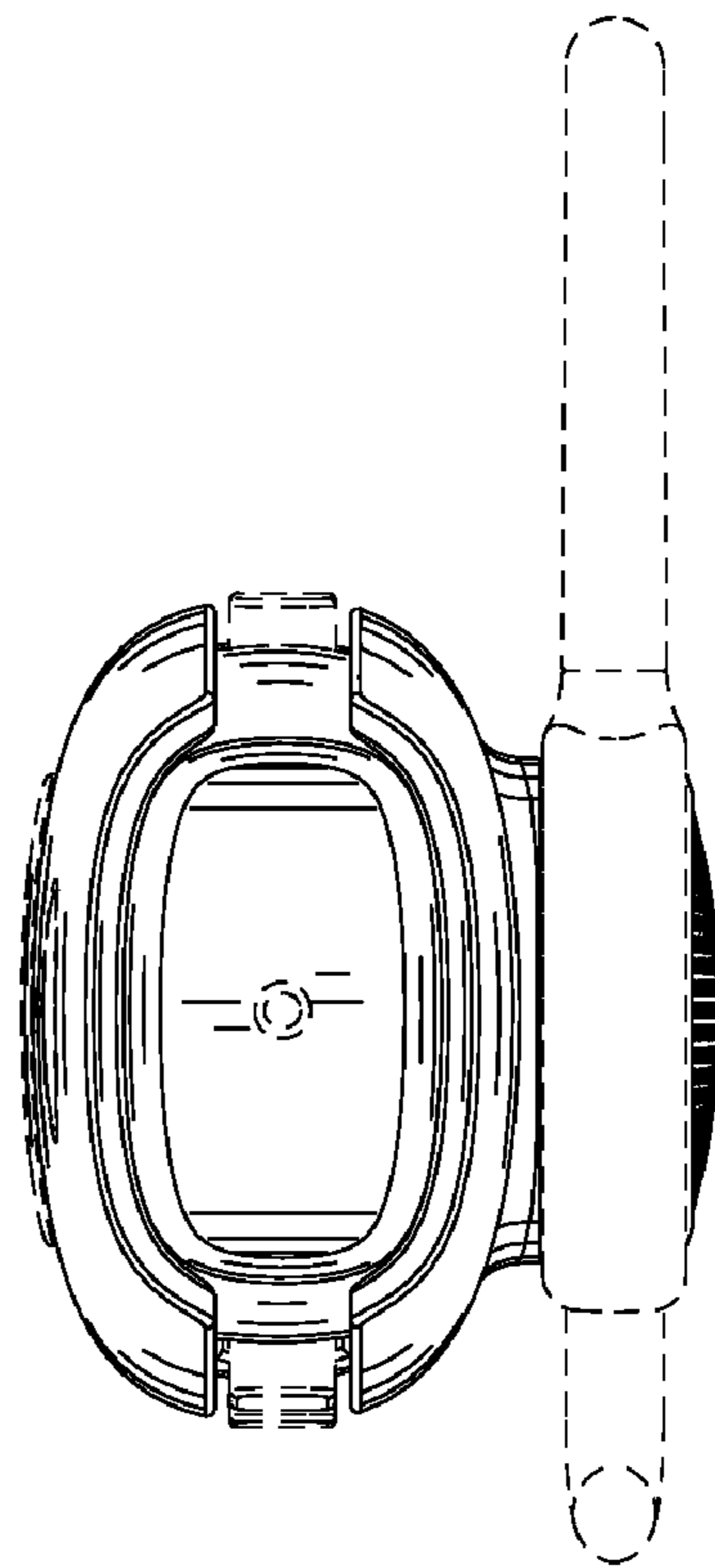


FIG. 7