



US00D609691S

(12) **United States Design Patent**
Kumagai et al.

(10) **Patent No.:** **US D609,691 S**
(45) **Date of Patent:** **** Feb. 9, 2010**

(54) **COMBINED DISC PLAYER, CLOCK AND RADIO RECEIVER**

(75) Inventors: **Yoshiaki Kumagai**, Tokyo (JP);
Daisuke Shiono, Tokyo (JP); **Naoya Sueda**, Tokyo (JP)

(73) Assignee: **Sony Corporation**, Tokyo (JP)

(**) Term: **14 Years**

(21) Appl. No.: **29/311,814**

(22) Filed: **Jun. 30, 2009**

Related U.S. Application Data

(63) Continuation of application No. 29/309,095, filed on Jun. 20, 2008, now Pat. No. Des. 597,520.

(30) **Foreign Application Priority Data**

Dec. 26, 2007 (JP) 2007-035518

(51) **LOC (9) Cl.** **14-01**

(52) **U.S. Cl.** **D14/168; D10/2; D14/171**

(58) **Field of Classification Search** D14/496,
D14/498-511, 167-168, 188, 197-198, 169-172,
D14/218; 360/99.02, 99.07; 369/75.11,
369/75.21, 77.11, 77.21; 720/601, 612, 619,
720/649, 655; 455/344, 347-351; D10/2,
D10/15

See application file for complete search history.

(56) **References Cited**

U.S. PATENT DOCUMENTS

D302,664 S 8/1989 Dawson, Jr.

D455,793 S 4/2002 Lin
D468,717 S 1/2003 Cuvelier
D476,636 S 7/2003 Ota
D485,251 S 1/2004 Lee
D488,796 S 4/2004 Hirano
D518,016 S 3/2006 Hirano
D519,976 S 5/2006 Lee
D585,428 S * 1/2009 Ikeda et al. D14/218

* cited by examiner

Primary Examiner—Nanda Bondade

(74) *Attorney, Agent, or Firm*—Rader, Fishman & Grauer, PLLC

(57) **CLAIM**

The ornamental design for a combined disc player, clock and radio receiver, as shown.

DESCRIPTION

FIG. 1 is a perspective view of a combined disc player, clock and radio receiver showing our new design;

FIG. 2 is a perspective view thereof, wherein a dock tray shown in broken lines is in the open position; and,

FIG. 3 is a front elevational view thereof.

The even broken line showings in the figures are for illustrative purpose only and form no part of the claimed design. The dot-dash broken lines therein define, but are not included in, the boundaries of the claimed design.

1 Claim, 3 Drawing Sheets

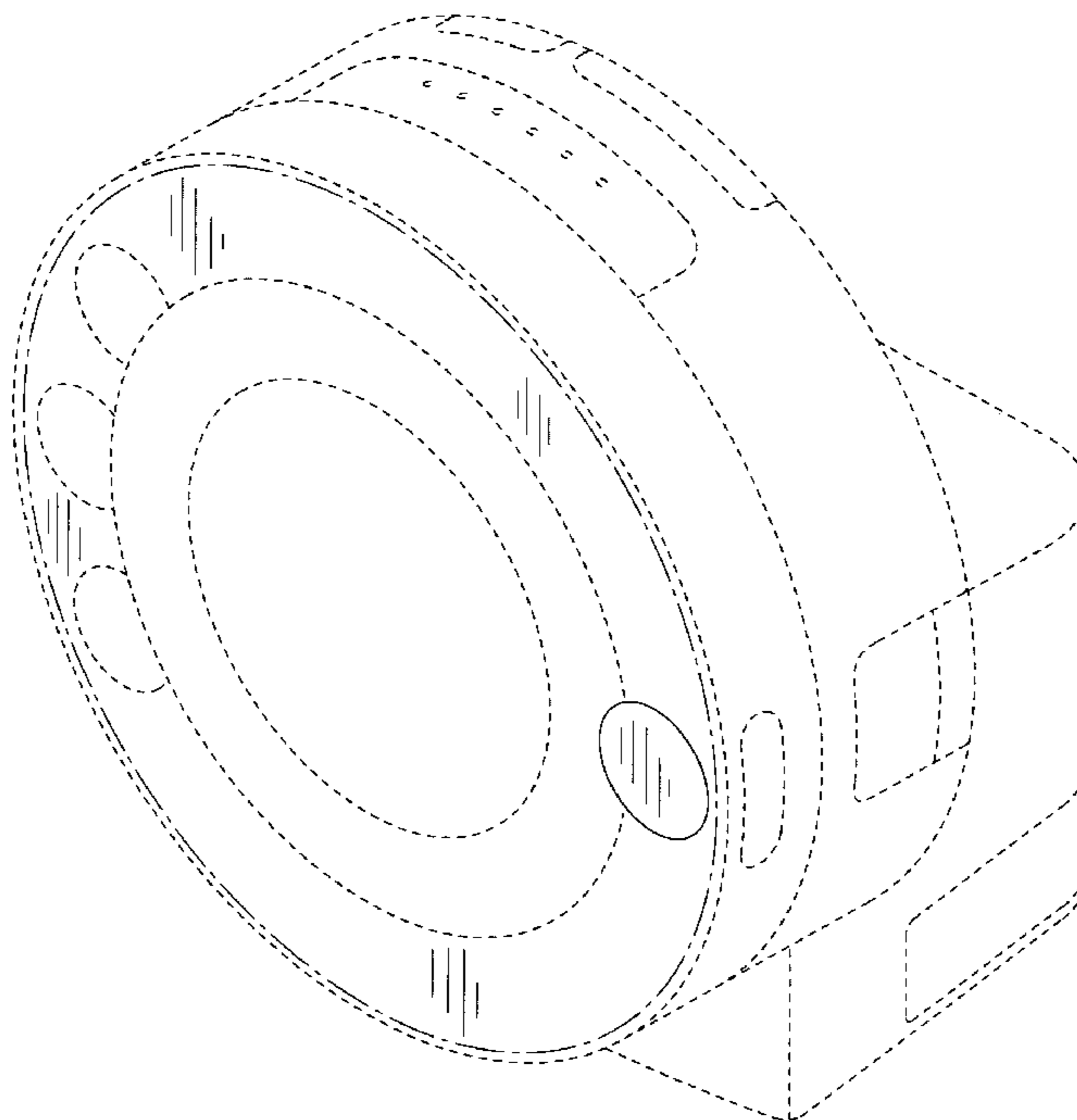


FIG.1

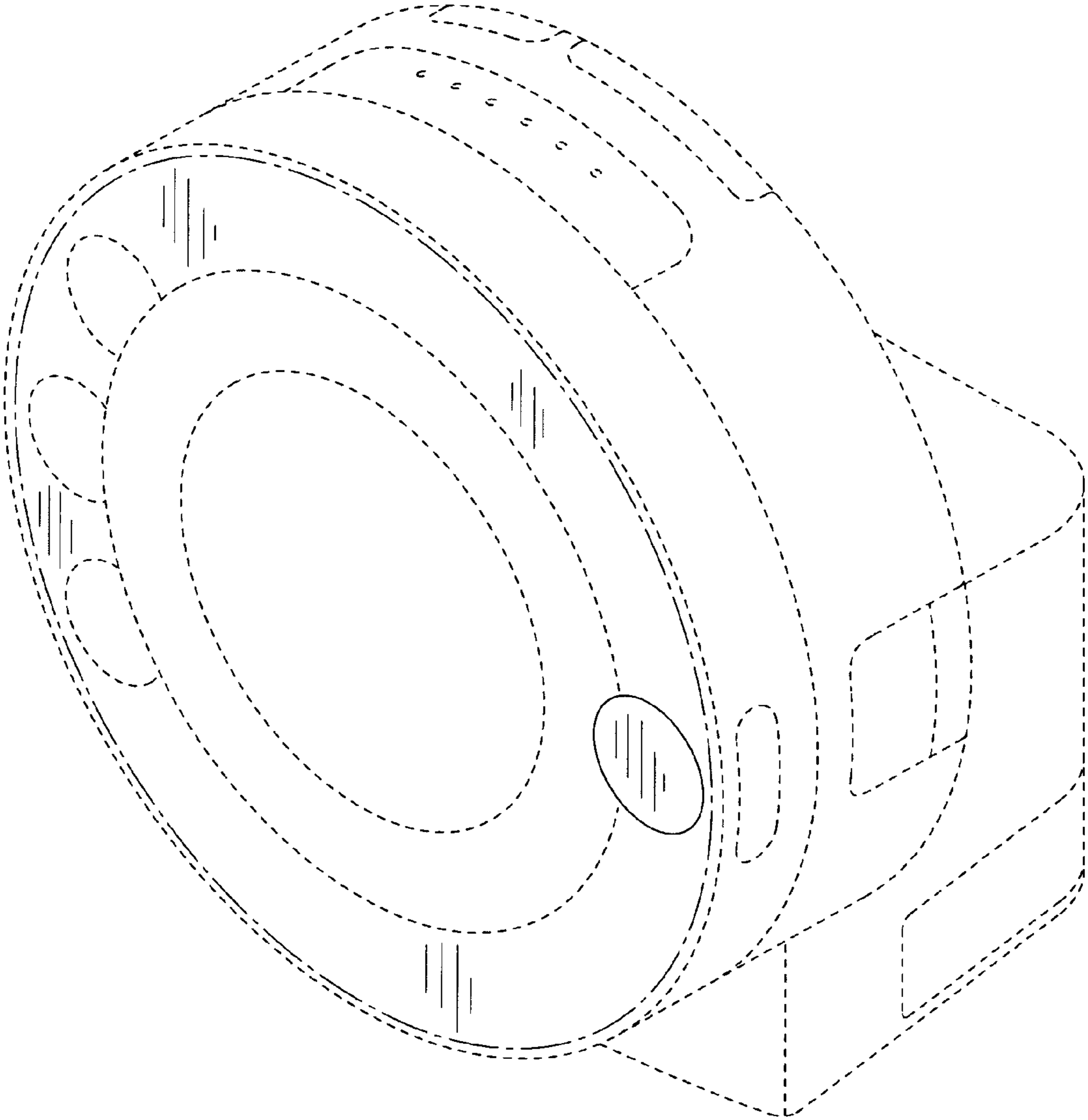


FIG.2

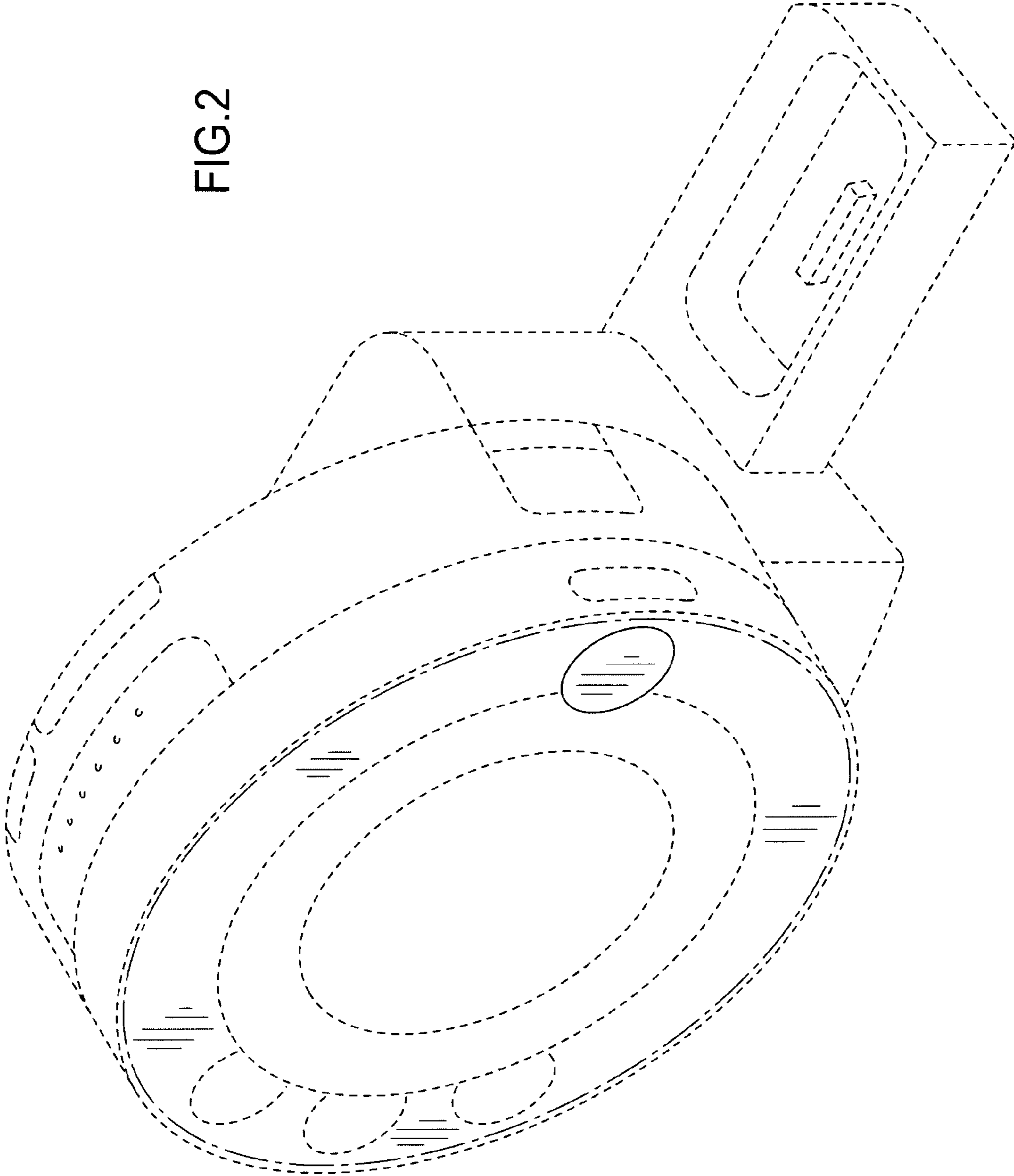


FIG.3

