



US00D609689S

(12) **United States Design Patent**
Obata

(10) **Patent No.:** **US D609,689 S**
(45) **Date of Patent:** **** Feb. 9, 2010**

(54) **DIGITAL VOICE RECORDER**

(75) Inventor: **Yasushi Obata**, Takatsuki (JP)

(73) Assignee: **Sanyo Electric Co., Ltd.**, Osaka (JP)

(**) Term: **14 Years**

(21) Appl. No.: **29/334,282**

(22) Filed: **Mar. 24, 2009**

(30) **Foreign Application Priority Data**

Oct. 1, 2008 (JP) D2008-025269

(51) **LOC (9) Cl.** **14-01**

(52) **U.S. Cl.** **D14/167**

(58) **Field of Classification Search** D14/167,
D14/154, 168, 188, 496, 156, 160, 161, 162,
D14/163, 164, 165, 158, 341, 346, 342, 345;
D16/208; D26/38; 455/351, 350; D19/60,
D19/62; D21/330

See application file for complete search history.

(56) **References Cited**

U.S. PATENT DOCUMENTS

D473,535 S * 4/2003 Ishii D14/167
D533,861 S * 12/2006 Amano D14/167
D533,862 S * 12/2006 Jinde D14/167
D558,183 S * 12/2007 Aoki D14/167
D575,264 S * 8/2008 Nakajima D14/167
D580,908 S * 11/2008 Nakamura D14/167

D592,635 S * 5/2009 Obata et al. D14/167
D596,155 S * 7/2009 Sakai D14/167
D598,891 S * 8/2009 Naito D14/167
D601,121 S * 9/2009 Chen D14/167

FOREIGN PATENT DOCUMENTS

JP D1248035 8/2005
JP D1303164 6/2007
JP D1303165 6/2007
JP D1328924 5/2008

* cited by examiner

Primary Examiner—Cathron C Brooks

Assistant Examiner—Austin Murphy

(74) *Attorney, Agent, or Firm*—Darby & Darby

(57) **CLAIM**

The ornamental design for a digital voice recorder, as shown and described.

DESCRIPTION

FIG. 1 is a perspective view of a digital voice recorder, as seen from the top, front and right sides;

FIG. 2 is a front elevation thereof;

FIG. 3 is a rear elevation thereof;

FIG. 4 is a left-side elevation view thereof;

FIG. 5 is a right-side elevation view thereof;

FIG. 6 is a top plan view thereof; and,

FIG. 7 is a bottom plan view thereof.

1 Claim, 2 Drawing Sheets

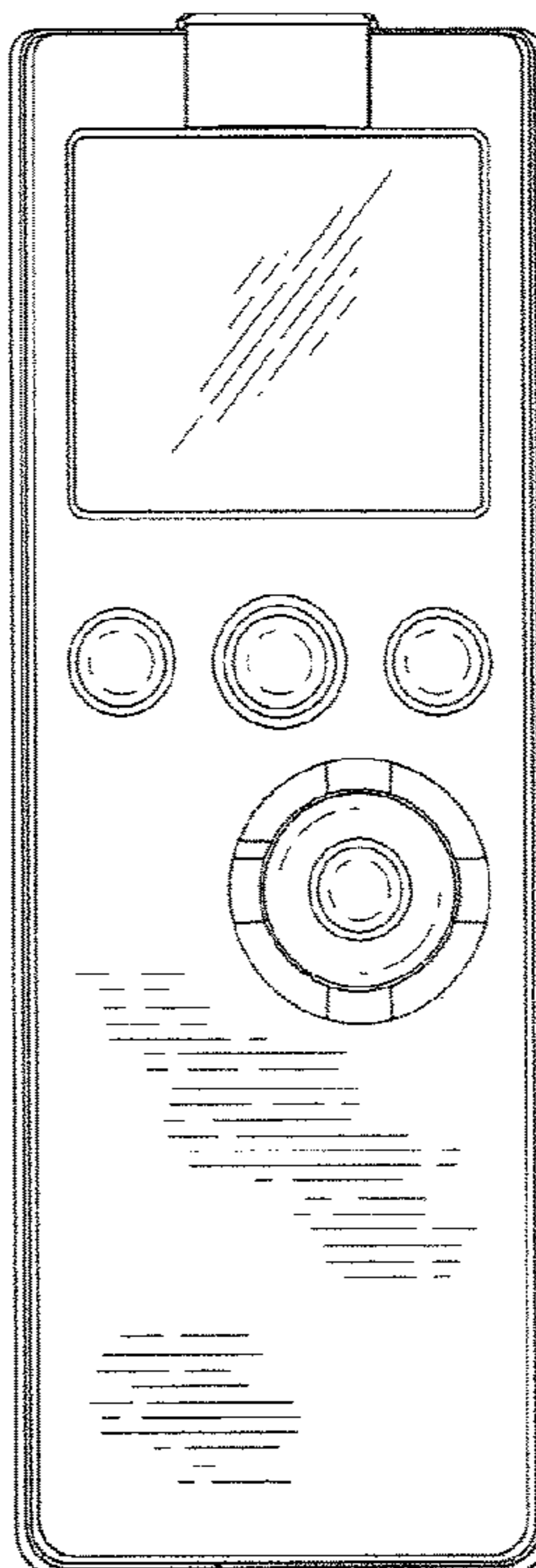
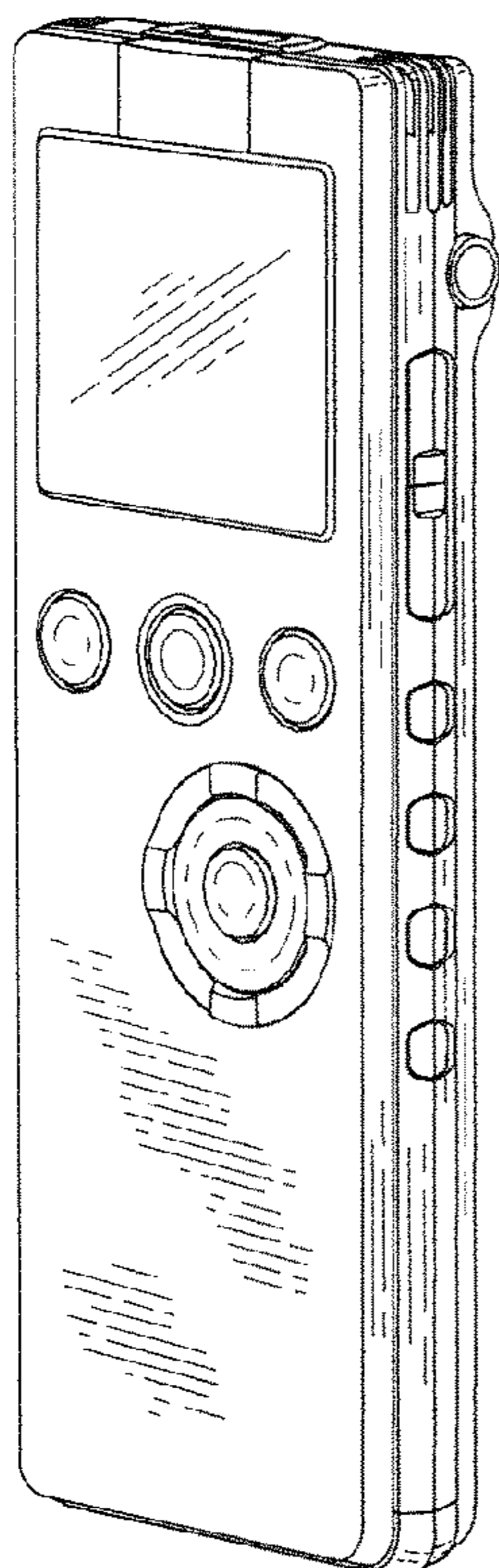


FIG.3

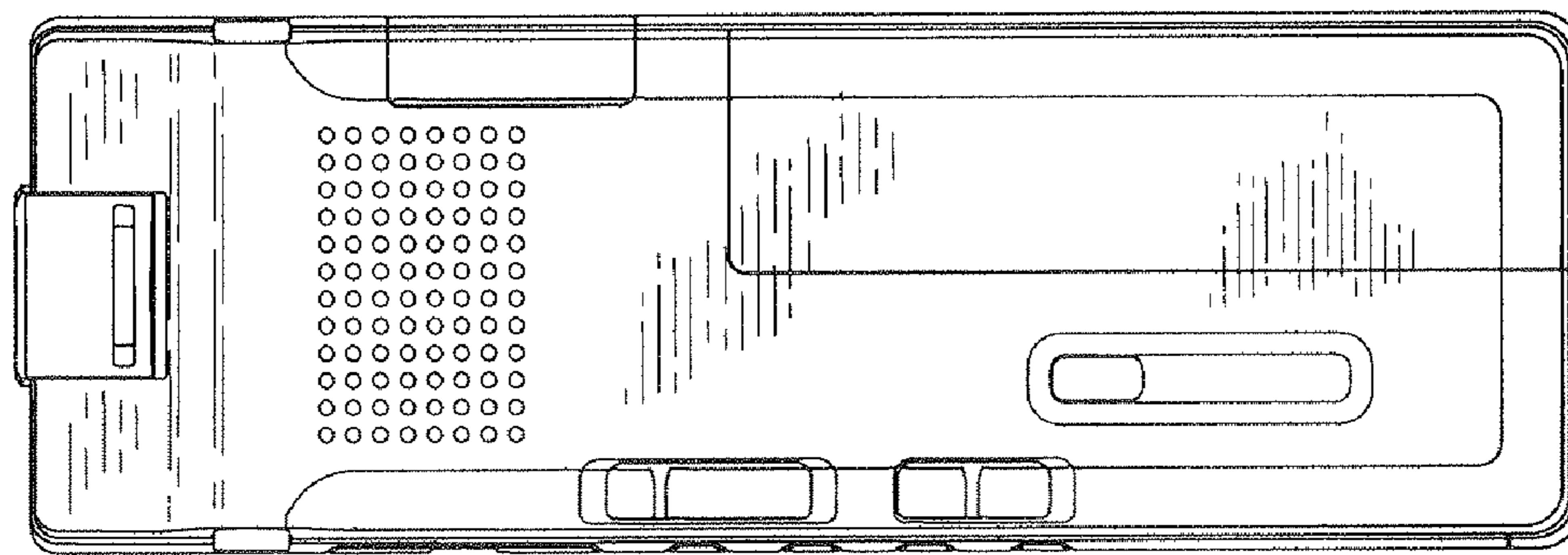


FIG.2

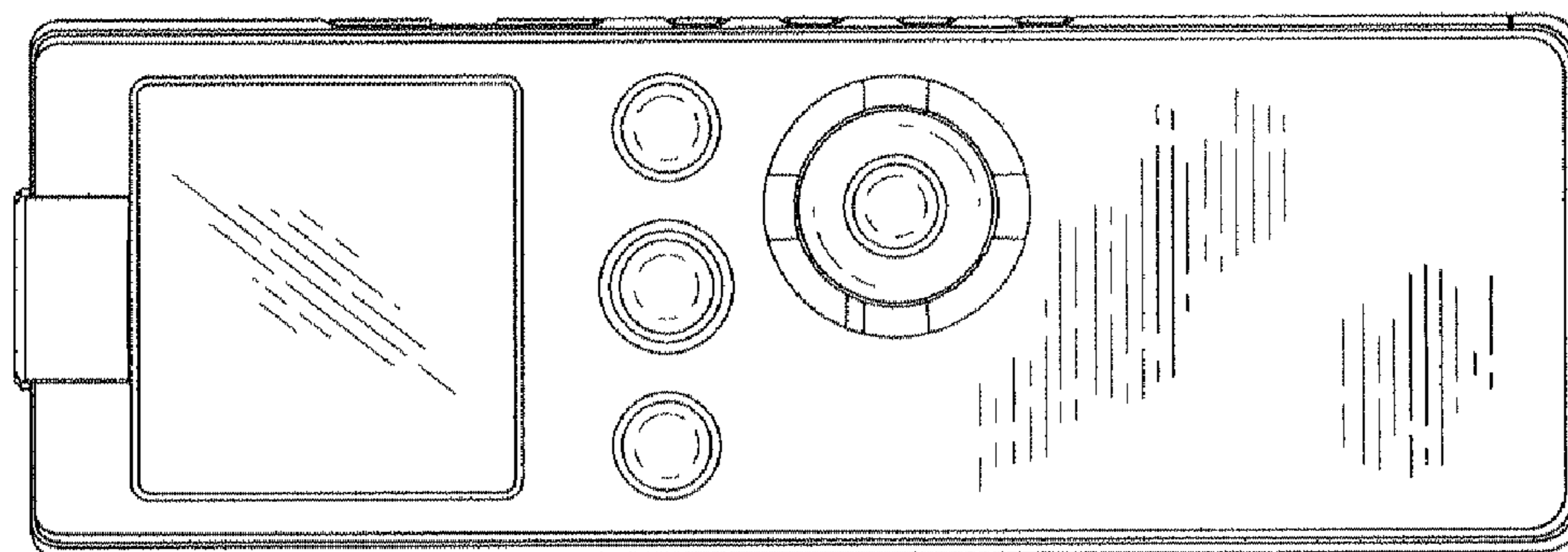


FIG.1

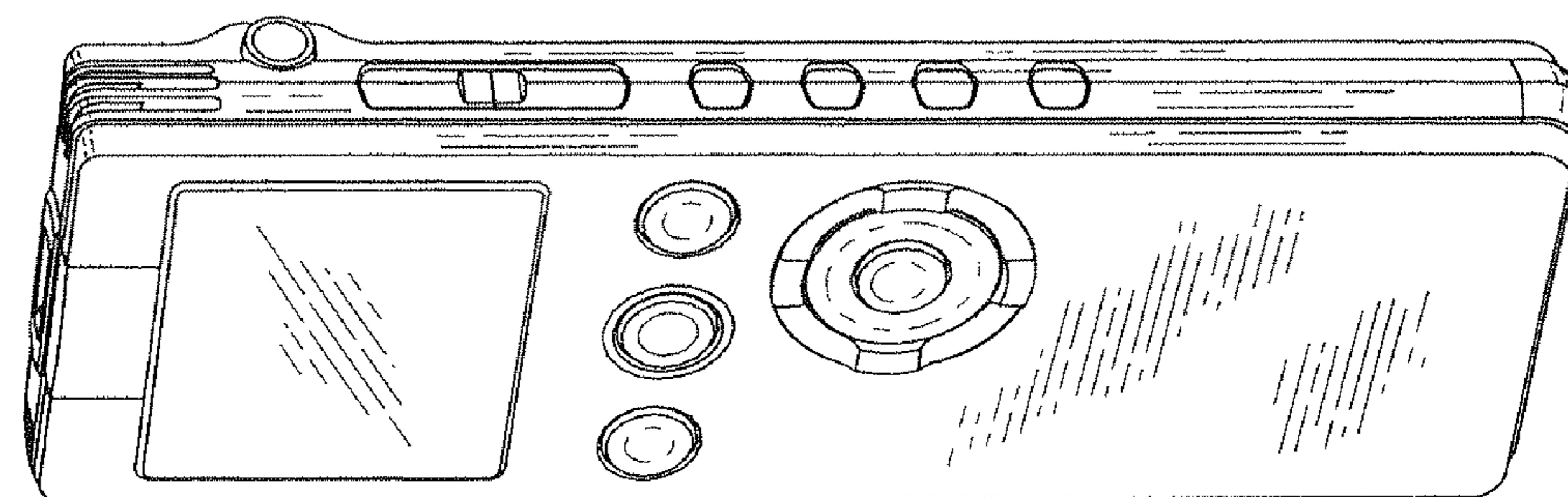


FIG.7

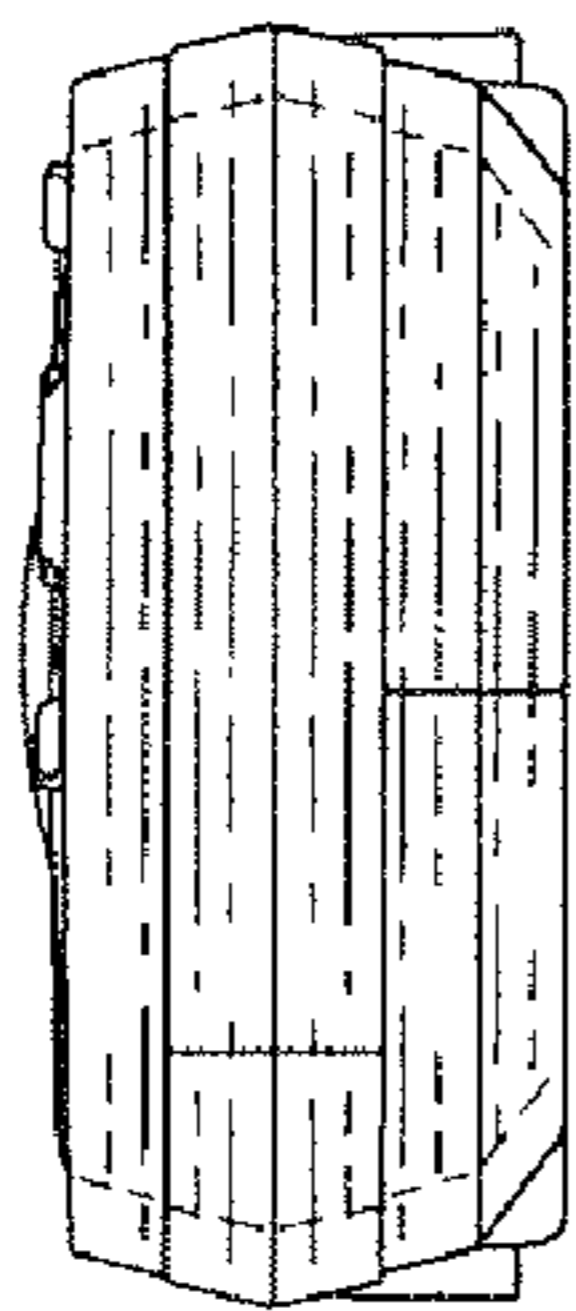


FIG.6

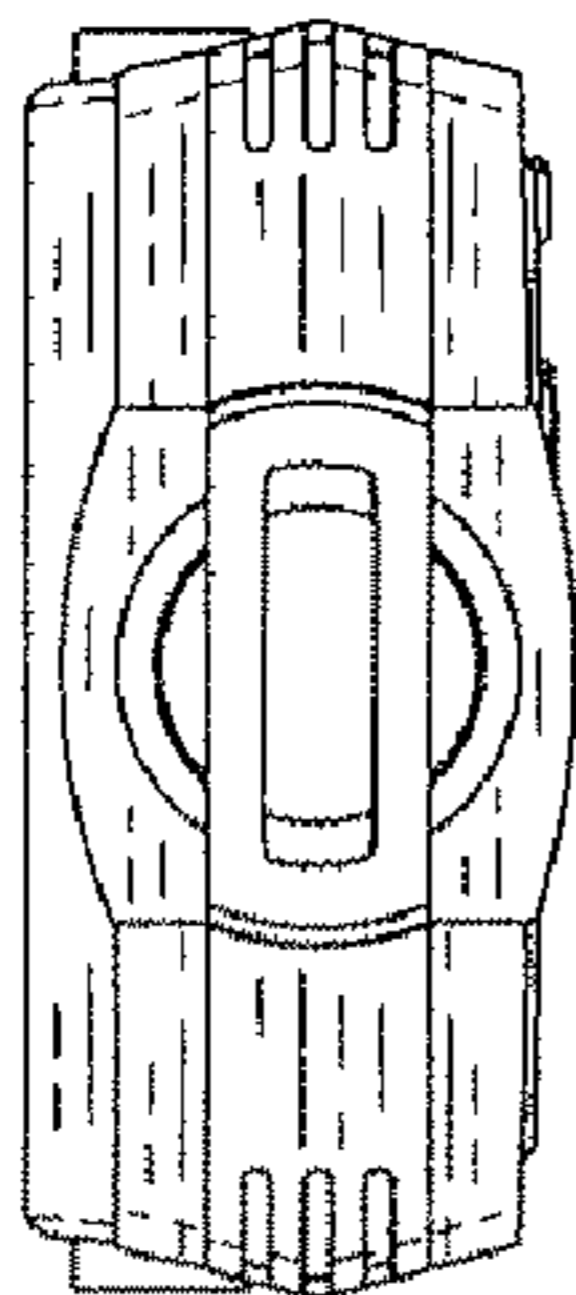


FIG.5

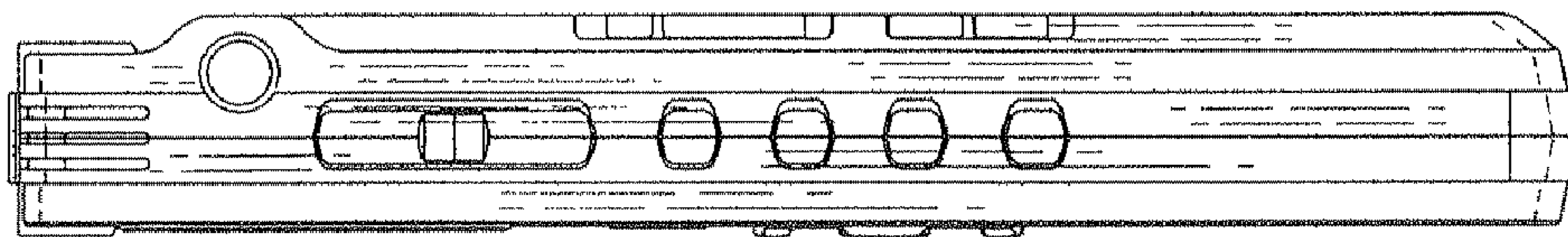


FIG.4

